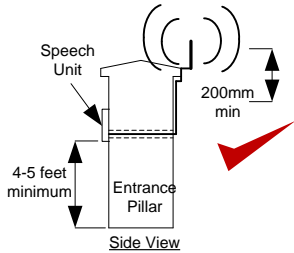


# Installation Manual

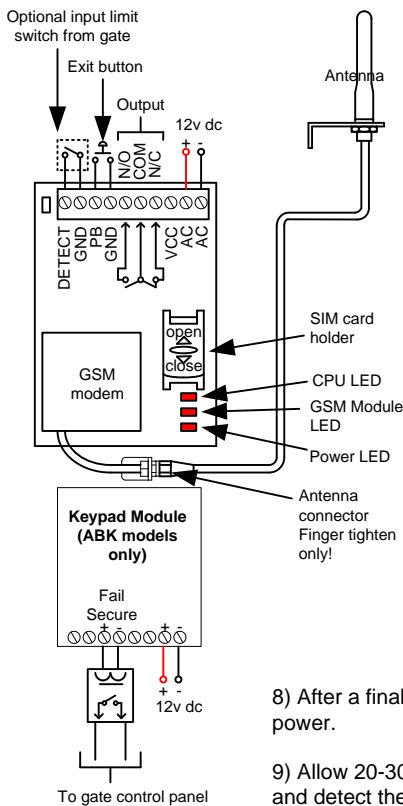
## Installation

- 1) Before you install this equipment, please read this full manual.
- 2) Ensure that there is good network reception at the location where it will be installed.
- 3) Install the antenna as high as possible on the top of the pillar to ensure line of sight in all directions for best possible reception.



Keep antenna high as possible, and above electronics + audio equipment to eliminate interference

## Wiring



- 4) Carefully follow the wiring instructions. Additional wiring suggestions for electric strike lock and magnetic lock are shown overleaf.

## SIM card

- 5) Register your SIM card with the network, and check it works in a mobile phone first. If you are using a Pre-pay or Pay&Go SIM, it will need topped up first. Your SIM should be GSM compatible.

- 6) Ensure the **power is OFF** before inserting the SIM card.

- 7) **Carefully slide the SIM holder** in the OPEN direction, insert the SIM, and slide in the CLOSED direction to lock it in place. **Do NOT Force or use a screwdriver!**

- 8) After a final check of wiring, switch on the power.

- 9) Allow 20-30 seconds for the unit to boot up and detect the network. Once successful connection has been made, the unit will sound a confirmation tone and the status LED will begin flashing.

If there is a fault or problem, the unit will emit a series of bleeps or warning tones. If this occurs, check...

- 1) That the SIM card has been activated and has credit.
- 2) That the SIM card does not require a PIN code, disable this in a phone.
- 3) That the SIM card can make and received a call on a phone.
- 4) Switch off power, remove and reseat the SIM card and try again.

## Programming

Programming is best done by SMS text. It can also be done by DTMF from a normal telephone.

- 1) First check reception. Send the following SMS to the unit...



The unit should send a reply "SIGNAL LEVEL = ?" where ? will be a number between 1 and 4. For successful operation the reception should be at least 3 or 4. If it is lower, the unit will experience audio quality problems or other issues. Increase height of antenna, change network or fit higher gain antenna.

- 2) Program the numbers you wish the unit to dial when the call button is pressed, up to a maximum of 3 numbers. Each SMS must start with the pass code, default 1234, in the following format \*12\*1234#, followed immediately by a command. E.g to program the telephone number 0987654321, enter the following SMS..

\*12\*1234#110987654321#  
 Pass code      Function code      Data

Up to 3 numbers can be sent together in a single SMS as follows..  
 \*12\*1234#11tel.number1#12tel.number2#13tel.number3#  
 11 = Telephone number 1  
 12 = Telephone number 2  
 13 = Telephone number 3

- 3) It is recommended to change the "no answer" time if there is more than 1 number stored. This stops the unit ringing a number after a set time, and can be used to prevent voicemail answering the call. Send the following SMS..

\*12\*1234#52??# Where ?? can be 2 digits from 10-99 seconds, default is 20.

The unit can allow up to 100 telephone numbers to be stored, for users to be able to ring the system for automatic entry. This uses caller ID like a phone to determine the identity of the caller. First, the unit must know what country it is operating in.

- 4) Program the country code as follows..

\*12\*1234#71??# Where ?? can be 1-3 digits. For uk, insert 44, for Ireland 353. Do not use any leading zeros.

- 5) Enter the telephone numbers required to have access control. Do not enter country code, just the complete number as you would dial it..

\*12\*1234#720987654321# Up to 3 numbers can be sent together in the same SMS. Just add 72 then the number, then # each time. The pass code only needs to be put at the beginning of each new message.

## Additional Programming Parameters

Code	Description	Default
01????#	Change programming password.	1234
02????#	Change access control password (allows users not in caller ID list to call intercom and use pass code to activate relay).	5678
03????#	Change monitoring mode password (dial to listen in mode)	1212
1n*#	Delete a button calling number, where n = number 1,2 or 3.	N/A
3?#	Speaker volume. Where ? = level 0 - 4	3
4?#	Microphone volume. Where ? = level 0 - 4	3
51?#	Relay time. Where ? = 1-9999 seconds.	1 sec
53??#	Max call time. Where ??? = 005-999 seconds (3 digit code)	60 sec
55??#	Max monitoring time (for listen in mode when calling the intercom) 00-60 mins. 00 = no limit.	10 min
57??#	Unit can call or SMS service number by set duration to prevent SIM card deactivation if seldom used. 00-60 days. 00 = no inform.	00
65?#	Dial in mode for withheld numbers or non stored numbers. 1 = answer the call & wait for pass code. 2 = answer the call & automatically activate 2 way speech.	1
73??#	Delete phone number for caller ID access.	N/A
73*#	Delete all phone numbers for caller ID access.	N/A
77number#	Store service number to receive scheduled SMS or call from intercom.	N/A
77*#	Delete service number.	N/A
999#	Restore defaults	N/A

Remember to begin each new SMS with pass code \*12\*1234#

Note: DTMF Programming is done by calling the unit, & entering the pass code first, then after a long single confirm tone, commands can be entered. A fault is indicated by 3 short bleeps.



# User Manual

For GSM-3B / GSM-3BK Wireless Intercom



This GSM intercom system will call up to 3 telephone numbers in sequence when the call button is pressed. There are several modes of operation depending on how the unit has been programmed by your installer. The following instructions will assume default programming.

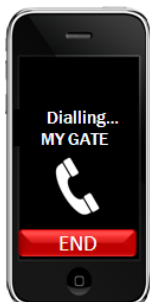
## Intercom calling your phone



## Sending SMS Commands



## Calling the intercom options



Option 1) If your number is saved inside the intercom memory, just dial it and it will activate the door or gate without answering your call. The intercom will end the call for you.



Option 2) If your number is not saved in the intercom memory, it will answer the call. Enter the code on your telephone keypad to activate the door or gate (default code shown).