



293 Wright St., Delavan, WI 53115
 Phone: 1-800-468-7867
 1-800-546-7867
 Fax: 1-800-390-5351

OWNER'S MANUAL

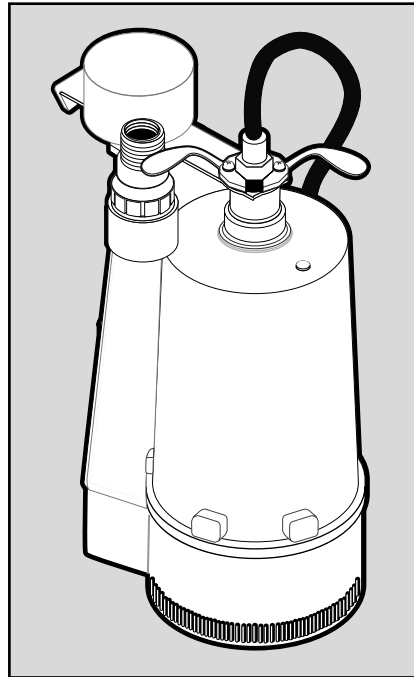
Submersible Sump Pumps

NOTICE D'UTILISATION

Pompes de puisard submersible

MANUAL DEL USUARIO

Bombas sumergible de sumidero



MOD. 2957

Installation/Operation/Parts

For further operating, installation, or maintenance assistance:

Call 1-800-468-7867

English Pages 2-6

Installation/Fonctionnement/Pièces

Pour plus de renseignements concernant l'utilisation, l'installation ou l'entretien,

Composer le 1 (800) 468-7867

Français Pages 7-11

Instalación/Operación/Piezas

Para mayor información sobre el funcionamiento, instalación o mantenimiento de la bomba:

Llame al 1-800-468-7867

Español Paginas 12-16

READ AND FOLLOW SAFETY INSTRUCTIONS!

Carefully read and follow all safety instructions in this manual and on pump.

⚠ This is the safety alert symbol. When you see this symbol on your pump or in this manual, look for one of the following signal words and be alert to the potential for personal injury.

⚠ DANGER warns about hazards that **will** cause serious personal injury, death or major property damage if ignored.

⚠ WARNING warns about hazards that **can** cause serious personal injury, death or major property damage if ignored.

⚠ CAUTION warns about hazards that **will** or **can** cause minor personal injury or property damage if ignored.

The word **NOTICE** indicates special instructions which are important but not related to hazards.

Electrically powered sump pumps normally give many years of trouble-free service when correctly installed, maintained, and used. However, unusual circumstances (interruption of power to the pump, dirt/debris in the sump, flooding that exceeds the pump's capacity, electrical or mechanical failure in the pump, etc.) may prevent your pump from functioning normally. To prevent possible water damage due to flooding, consult your dealer about installing a secondary sump pump, a DC backup sump pump, and/or a high water alarm. See the "Troubleshooting Chart" in this manual for information about common sump pump problems and remedies. For more information, see your dealer or call customer service at 1-800-468-7867.

1. Know the pump application, limitations, and potential hazards.
2. Disconnect the power before servicing.
3. Release all pressure within the system before servicing any component.
4. Drain all the water from the system before servicing.

5. Secure the discharge line before starting the pump. An unsecured discharge line will whip, possibly causing personal injury and/or property damage.
6. Check hoses for weak or worn condition before each use, making certain that all connections are secure.
7. Periodically inspect the sump, pump and system components. Keep free of debris and foreign objects. Perform routine maintenance as required.
8. Provide a means of pressure relief for pumps whose discharge line can be shut-off or obstructed.
9. Personal Safety:
 - a. Wear safety glasses at all times when working with pumps.
 - b. Keep work area clean, uncluttered and properly lighted – replace all unused tools and equipment.
 - c. Keep visitors at a safe distance from work area.
 - d. Make workshop child-proof – with padlocks, master switches, and by removing starter keys.
10. When wiring an electrically driven pump, follow all electrical and safety codes that apply.
11. This equipment is only for use on 115 volt and is equipped with an approved 3-conductor cord and 3-prong, grounding-type plug.

⚠ WARNING Hazardous voltage. Can shock, burn or cause death. To reduce the risk of electric shock, pull the plug before servicing. Pump is supplied with a grounding conductor and grounding-type attachment plug. Be sure it is connected only to a properly grounded grounding-type receptacle.

Where a 2-prong wall receptacle is encountered, it must be replaced with a properly grounded 3-prong receptacle installed in accordance with codes and ordinances that apply. This pump has not been investigated for use in swimming pool areas.

12. A ground fault circuit interrupter is recommended for use with any electrical appliance submerged in water. Installation and all wiring should be performed by a qualified electrician.
13. Make certain the power source conforms to the requirements of your equipment.

Simer Limited Warranty

SIMER warrants to the original consumer purchaser ("Purchaser") of its products that they are free from defects in material or workmanship.

If within twelve (12) months from the date of the original consumer purchase any such product shall prove to be defective, it shall be repaired or replaced at SIMER's option, subject to the terms and conditions set forth below. Your original receipt of purchase is required to determine warranty eligibility.

Exceptions to the Twelve (12) Month Warranty

Ninety (90) Day Warranty:

If within ninety (90) days from original consumer purchase any Drill Pump or MiniVac Pump shall prove to be defective, it shall be replaced, subject to the terms set forth below.

Two (2) Year Warranty:

If within two (2) years from original consumer purchase, any 1/3 HP Submersible Sump Pump, or Models 2330, 2300 or A5500, shall prove to be defective, it shall be repaired or replaced at SIMER's option, subject to the terms and conditions set forth below.

Three (3) Year Warranty:

If within three (3) years from original consumer purchase any 4" Submersible Well Pump, 1/2 HP Submersible Sump Pump, or Booster Pump Model 3075SS shall prove to be defective, it shall be repaired or replaced at SIMER's option, subject to the terms and conditions set forth below.

Five (5) Year Warranty:

If within five (5) years from original consumer purchase any Pre-Charge water system tank shall prove to be defective, it shall be repaired or replaced at SIMER's option, subject to the terms and conditions set forth below.

General Terms and Conditions

Purchaser must pay all labor and shipping charges necessary to replace product covered by this warranty. This warranty shall not apply to acts of God, nor shall it apply to products which, in the sole judgement of SIMER, have been subject to negligence, abuse, accident, misapplication, tampering, alteration; nor due to improper installation, operation, maintenance or storage; nor to other than normal application, use or service, including but not limited to, operational failures caused by corrosion, rust or other foreign materials in the system, or operation at pressures in excess of recommended maximums.

Requests for service under this warranty shall be made by returning the defective product to the Retail outlet or to SIMER as soon as possible after the discovery of any alleged defect. SIMER will subsequently take corrective action as promptly as reasonably possible. No requests for service under this warranty will be accepted if received more than 30 days after the term of the warranty. This warranty sets forth SIMER's sole obligation and purchaser's exclusive remedy for defective products.

SIMER SHALL NOT BE LIABLE FOR ANY CONSEQUENTIAL, INCIDENTAL, OR CONTINGENT DAMAGES WHATSOEVER.

THE FOREGOING WARRANTIES ARE EXCLUSIVE AND IN LIEU OF ALL OTHER EXPRESS WARRANTIES. IMPLIED WARRANTIES, INCLUDING BUT NOT LIMITED TO THE IMPLIED WARRANTIES OF MERCHANTABILITY AND FITNESS FOR A PARTICULAR PURPOSE, SHALL NOT EXTEND BEYOND THE DURATION OF THE APPLICABLE EXPRESS WARRANTIES PROVIDED HEREIN.

Some states do not allow the exclusion or limitation of incidental or consequential damages or limitations on how long an implied warranty lasts, so the above limitations or exclusions may not apply to you. This warranty gives you specific legal rights and you may also have other rights which vary from state to state.

SIMER • 293 Wright Street • Delavan, WI U.S.A. 53115
 Phone: 1-800-468-7867 / 1-800-546-7867 • Fax: 1-800-390-5351
 EMail: info@simerpumps.com • Web: http://www.simerpumps.com

For parts or assistance, call Simer Customer Service at 1-800-468-7867 / 1-800-546-7867

14. Protect the electrical cord from sharp objects, hot surfaces, oils, and chemicals. Avoid kinking the cord. Replace or repair damaged or worn cords immediately.
15. Do not touch an operating motor. Motors can operate at high temperatures.
16. Do not handle the pump or pump motor with wet hands or when standing on a wet or damp surface, or in water.

⚠ WARNING Risk of electric shock. Can burn or kill. If your basement has water or moisture on floor, do not walk on the wet area until all power has been turned off. If the shut-off box is in the basement, call electric company or hydro authority to shut-off the service to house, or call your local fire department for instructions. Failure to follow this warning can result in fatal electrical shock.

17. **DO NOT** splice the electrical power cord.
18. **DO NOT** allow the electrical cord plug to be submerged.
19. **DO NOT** use extension cords. They are a fire hazard and can reduce voltage sufficiently to prevent pumping and/or damage motor.
20. Connect or wire the pump to an individual branch circuit with no other outlets or equipment in the circuit. Size fuses or circuit breakers according to the specifications.

DESCRIPTION

These 3/10 HP submersible sump pumps are designed for use in home sumps. The units are equipped with a 3-prong grounding-type power cord. The shaded-pole motors are oil filled and sealed for cooler running. The sleeve bearings on the motor shafts never need lubrication. The pumps include automatic reset thermal protection.

SPECIFICATIONS

Power supply required.....115V, 60 HZ
 Motor dutyContinuous
 Liquid Temp. Range32° F-120° F (0°-49° C)
 Individual Branch Circuit Required15 Amps
 Discharge Adapter1-1/4" MNPT

NOTICE: For continuous operation, the water depth must be at least 5" (13cm), to prevent the motor from overheating.

NOTICE: This unit is not designed for applications involving salt water or brine! Use with salt water or brine will void warranty.

PERFORMANCE

Model	GPM (LPM) AT TOTAL FEET (m)				No flow at height shown below
	5 (1.5m)	10 (3m)	15 (4.6m)	20 (6.1m)	
CAPACITY GALLONS(L)/MINUTE					
2957-01	29	27	21	12	25 Ft.
2957-03	(110)	(102)	(80)	(45)	(7.6m)

INSTALLATION

1. Install pump model number 2957-01 in a sump pit with a minimum diameter of 9" (229mm) and pump model number 2955-01 in a sump pit with a minimum diameter of 11" (279mm). Construct the sump pit of tile, concrete, steel or plastic. Check the local codes for approved materials. The pump should not be installed on clay, earth or sand surfaces. Clean the sump pit of small stones and gravel which could clog the pump. Keep the pump suction housing clear of debris.
2. Install the pump in the pit so the switch operating mechanism has maximum possible clearance.
3. Install an in-line check valve to prevent flow backwards through the pump when the pump shuts off.
4. **Install the discharge plumbing.**
 - A. When using rigid pipe, use plastic pipe. Wrap the discharge pipe thread with Teflon™ tape. Screw the pipe into the pump discharge port hand tight +1 – 1-1/2 turns.

NOTICE: Do not use ordinary pipe joint compound on plastic pipe. Pipe joint compound can attack plastics.

NOTICE: Thread the discharge pipe into the pump body carefully to avoid stripping or crossing threads.
 - B. If a flexible discharge hose is used, make sure the pump is secured in the sump to prevent movement. Do not use a flexible discharge pipe in any permanent installation.

⚠ CAUTION Risk of flooding. Can cause personal injury or property damage. Failure to secure pump may allow pump movement, switch interference and prevent pump from starting or stopping.

NOTICE: The discharge piping should be as short as possible to reduce pipe friction losses. Discharge pipe diameter should be equal to or larger than the discharge size of the pump. Smaller pipe diameters will restrict the capacity of the pump and reduce performance.

- C. Secure the discharge line before starting the pump. To reduce motor noise and vibrations, a short length of rubber hose (e.g. radiator hose) can be connected into the discharge line near the pump using suitable clamps. If the pump discharge line is exposed to outside sub-freezing atmosphere, the portion of the line exposed must be installed so any water remaining in the pipe will drain to the outfall by gravity. Failure to do this can cause any water trapped in the discharge line to freeze which could result in damage to pump.

™ E.I. DuPont de Nemours and Company Corporation.

MOTOR, SWITCH, & CORD SPECIFICATIONS

Model Number	Motor HP	Max. Load Amps	Individual Branch Circuit Required (Amps)	Cord Length	Switch Setting in inches (mm)	
					On	Off
2957-01	3/10	10.0	15	8'	7" (178)	2" (51)
2957-03	3/10	10.0	15	8'	7" (178)	2" (51)

For parts or assistance, call Simer Customer Service at 1-800-468-7867 / 1-800-546-7867

5. **Power Supply:** These pumps are designed for 115 V., 60 Hz., operation and require a minimum 15 amp individual branch circuit. Both the pump and switch are supplied with 3-wire cord sets with grounding-type plugs. The switch plug is inserted directly into the outlet and the pump plug inserts into the opposite end of switch plug.

⚠ WARNING **Hazardous voltage. Can shock, burn or cause death.** Pump is supplied with a grounding conductor and grounding-type attachment plug. To reduce the risk of electric shock, be certain that it is connected only to a properly grounded, grounding type receptacle such as a grounded water pipe or a properly grounded metallic raceway or ground wire system. Ground terminal on pump cord plug is provided for your protection. **DO NOT REMOVE!**

A ground fault circuit interrupter is recommended for use with any electrical appliance submerged in water. For installation of such a circuit, consult a licensed electrician.

6. After the piping and the check valve (if needed) have been installed, the unit is ready for operation
7. Check the operation by filling the sump with water and observing pump operation through one complete cycle.

⚠ WARNING **Risk of flooding. Can cause personal injury and/or property damage.** Failure to make this operational check may lead to flooding and premature failure.

OPERATION

⚠ WARNING **Risk of electric shock. Shock can burn or kill.**

Do not handle a pump or pump motor with wet hands or when standing on wet or damp surface, or in water.

1. Keep the pump inlet screen clear.
2. The shaft seal depends on water for lubrication. Do not operate the pump unless it is submerged in water as the seal may be damaged if the pump is allowed to run dry.
3. The motor is equipped with an automatic reset thermal protector. If the temperature in the motor should rise unduly, the switch will cut off all of the power before any damage can be done to the motor. When the motor has cooled sufficiently, the switch will reset automatically and restart the motor. If the protector trips repeatedly, the pump should be removed and checked for the cause of the difficulty. Low voltage, long extension cords, a clogged impeller, very low head or lift, etc., could cause cycling. Refer to the Troubleshooting Chart on Page 5 for additional information.
4. Periodically inspect the pump, system components and sump for debris and foreign objects. Keep the sump free of all refuse. Perform routine maintenance as required.

⚠ WARNING **Risk of flooding. Flooding can cause personal injury or property damage.** This pump comes with the automatic float switch mounted on the motor cover ready for operation. Do not change switch settings. Refer to the "Motor, Switch & Cord Specifications" chart for switch settings.

MAINTENANCE

To Clean the Pump Screen:

NOTICE: Attempting to disassemble motor will void warranty.

⚠ WARNING **Risk of electrical shock. Shock can burn or kill.**

Always unplug the pump from the power source before servicing any system component. Do not lift pump by power cord.

1. Disconnect power before servicing.

⚠ WARNING **Risk of Electric shock. Shock can burn or cause death.** When servicing the system always disconnect power cord from the electrical outlet.

2. Loosen the discharge pipe.
3. Use the pump handle to lift the pump out of the sump pit and place the pump on a clean level surface.
4. To clean the screen, remove the three screws holding the screen to the pump base (See Figure 1), remove and rinse off the screen.

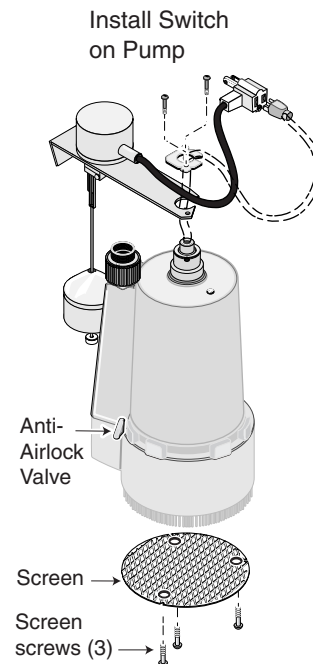


Figure 1 – To clean the Screen and Anti-airlock Valve and to attach Float Switch.

5. Re-install the screen and the screws.
6. Put the pump back into the sump pit.
7. Re-install the discharge pipe.
8. Check the system operation by filling the basin with water and observing the pump's operation through one complete cycle.

⚠ WARNING **Flood hazard. May cause personal injury or property damage.** Failure to make this operational check can lead to improper operation, premature pump failure and flooding.

To Replace the Vertical Float Switch:

NOTICE: The float must be able to complete its entire cycle without interference from any other object.

1. Mount the bracket on the switch housing with the bracket mounting screws. See Figure 2.

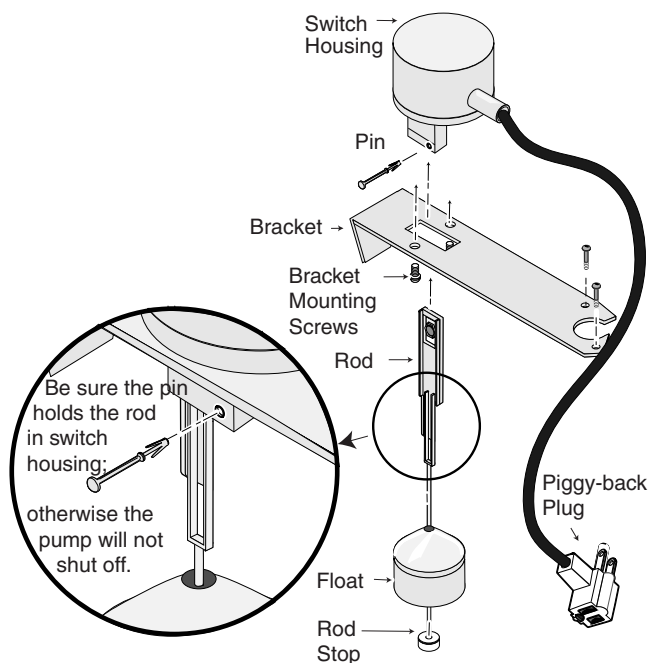


Figure 2 – Replace the Float Switch.

2. Mount the float and the float rod stop on the rod.
3. Slide the rod up through the bracket and into the slot in the bottom of the switch housing. Fasten the rod into the switch housing with the pin. See Figure 2.

CAUTION Make sure the pin holds the float rod in the switch housing; otherwise the pump will not shut off.

NOTICE: Pull gently on the rod to make sure that it cannot come out of the switch housing.

4. Mount the switch assembly on the pump with the screws provided.
5. Run the pump through one complete cycle to verify switch operation is correct and that nothing interferes with the switch's operation.

WARNING Flood hazard. May cause personal injury or property damage. Failure to make this operational check can lead to improper operation, premature pump failure and flooding.

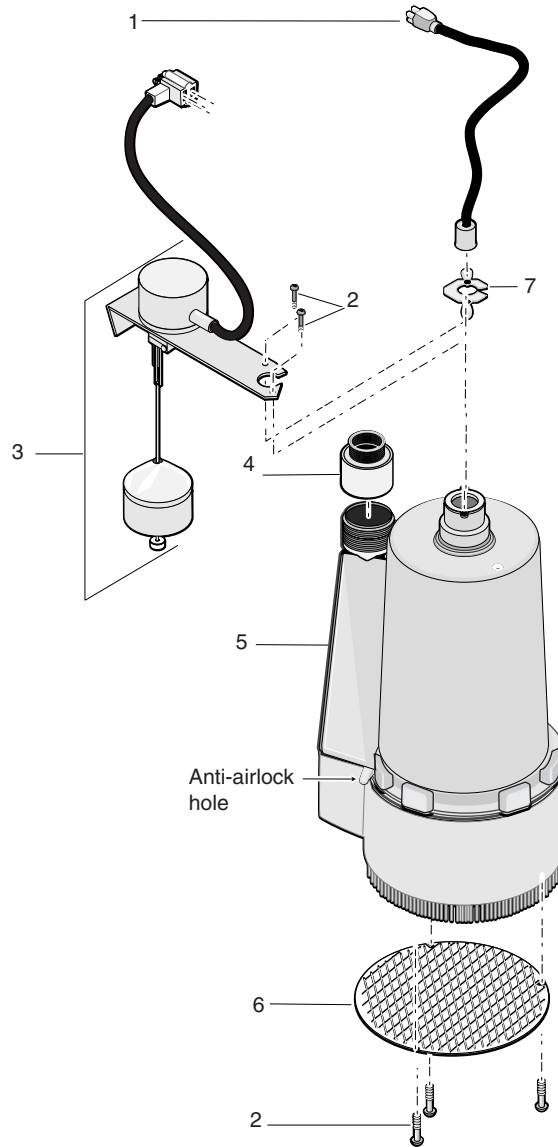
AIRLOCKS:

When a pump airlocks, it runs but does not move any water. An airlock will cause the pump to overheat and fail.

This pump has a small hole in the side of the pump housing. See Figure 1. This is an anti-airlock valve. If you suspect an airlock, insert a hat pin or a pipe cleaner into the anti-airlock hole to clean out the debris.

Troubleshooting

SYMPTOM	PROBABLE CAUSE(S)	CORRECTIVE ACTION
Pump won't start or run.	Blown fuse. Low line voltage. Defective motor. Defective float switch. Float obstructed.	If blown, replace with fuse of proper size. If voltage under recommended minimum, check size of wiring from main switch on property. If OK, contact power company or hydro authority. Replace pump. Replace float switch. Remove obstruction.
Pump starts and stops too often.	Backflow of water from piping. Faulty float switch.	Install or replace check-valve. Replace float switch.
Pump won't shut off.	Defective float switch. Restricted discharge (obstacle in piping). Float obstructed.	Replace float switch. Remove pump and clean pump and piping. Remove obstruction.
Pump operates but delivers little or no water.	Low line voltage. Worn or plugged impeller. Anti airlock vent hole is plugged.	If voltage under recommended minimum, check size of wiring from main switch on property. If OK, contact power company or hydro authority. Replace pump. Clean out the vent hole with a hat pin or pipe cleaner.



REPAIR PARTS LIST

Key No.	Part Description	Qty.	2957-01	2957-03
1	Power Cord	1	227-264-B-TSU	227-264-B-TSU
2	Screws, Handle, Screen, Clamp	5	670-646	670-646
3	Vertical Float Switch Assembly	1	Pkg 208	Pkg 208
4	Adapter	1	229-014	229-014
5	Cover, Motor Assembly	1	**	**
6	Inlet Screen	1	667-013	667-013
7	Handle	1	383-147-B	383-147-B

** If the motor fails, replace the pump.

() Indicates a different quantity is required for each model number.

LIRE TOUTES CES INSTRUCTIONSET LES SUIVRE!

Lire attentivement toutes les consignes de sécurité contenues dans cette Notice et collées sur la pompe.

! Ce symbole indique qu'il faut être prudent. Lorsque ce symbole apparaît sur la pompe ou dans cette Notice, rechercher une des mises en garde qui suivent, car elles indiquent un potentiel de blessures corporelles :

▲ DANGER avertit d'un danger **qui causera** des blessures corporelles, la mort ou des dommages matériels importants si on l'ignore.

▲ AVERTISSEMENT avertit d'un danger **qui risque** de causer des blessures corporelles, la mort ou des dommages matériels importants si on l'ignore.

▲ ATTENTION avertit d'un danger qui **causera** ou qui **risquera** de causer des blessures corporelles, la mort ou des dommages matériels importants si on l'ignore.

Le mot **NOTA** indique des instructions spéciales et importantes n'ayant aucun rapport avec les dangers.

Normalement, les électropompes de puisard fournissent de nombreuses années de service sans incident si elles sont bien posées, entretenues et utilisées. Toutefois, certaines circonstances inhabituelles (interruption du courant alimentant la pompe, saletés/débris dans le puisard, inondation dépassant le débit de pompage de la pompe, panne mécanique ou électrique de la pompe, etc.) peuvent empêcher la pompe de fonctionner normalement. Pour empêcher toute possibilité de dommages causés par l'eau suite à une inondation, consulter le marchand de chez qui la pompe a été achetée afin de considérer la pose d'une pompe de puisard secondaire, d'une pompe de puisard de secours fonctionnant sur le courant continu et/ou d'une alarme de niveau haut d'eau. Se reporter au «Tableau de recherche des pannes» de cette Notice pour tout renseignement concernant les problèmes courants des pompes de puisard et comment y remédier. Pour plus de renseignements, s'adresser au marchand de chez qui la pompe a été achetée ou appeler le service à la clientèle en composant le 1 800 468-7867.

1. Il faut connaître les utilisations de la pompe, ses limites et les dangers potentiels que présentent son utilisation.
2. S'assurer que le courant alimentant la pompe a été coupé avant d'intervenir sur la pompe.
3. Dissiper toute la pression du système avant d'intervenir sur un composant du système.
4. Vider toute l'eau contenue dans le système avant de procéder à un entretien.

5. Immobiliser le tuyau de refoulement avant de démarrer la pompe. Un tuyau de refoulement non immobilisé se mettra à fouetter et risquera d'éclater ou d'entraîner des dégâts matériels et/ou causer des blessures corporelles.
6. Avant d'utiliser la pompe, s'assurer que les tuyaux ne sont pas défectueux, qu'ils ne comportent pas de signes d'usure et que tous les raccords sont bien serrés.
7. Inspecter périodiquement le puisard, la pompe et les composants du système. Les débarrasser des débris et des corps étrangers. Effectuer l'entretien périodique comme il est indiqué.
8. Prévoir un système de dissipation de la pression sur les pompes dont le tuyau de refoulement risque d'être fermé ou obstrué.
9. Sécurité personnelle :
 - a. Toujours porter des lunettes de sécurité pour intervenir sur la pompe.
 - b. Garder la zone de travail propre, non encombrée et bien éclairée – remettre en place tous les outils et tous les équipements que l'on n'utilise plus.
 - c. Ne laisser personne s'approcher de la zone de travail.
 - d. La zone de travail doit être à l'épreuve des enfants, c.-à-d. qu'elle doit être sécuritaire en posant des cadenas, des interrupteurs principaux et en retirant les clés des démarreurs.
10. Lorsque l'on branche un électropompe sur le courant, toujours respecter les codes de sécurité et de l'électricité en vigueur.
11. Cette pompe ne fonctionne que sur le courant alternatif de 115 volts et elle est équipée d'un cordon électrique approuvé à 3 conducteurs muni d'une fiche à 3 broches, dont une de mise à la terre.

▲ AVERTISSEMENT Tension dangereuse. Risque de secousses électriques, de brûlures, voire de mort. Pour réduire les risques de secousses électriques, débrancher la fiche du cordon électrique de la prise de courant avant d'intervenir sur la pompe. Cette pompe n'a pas été mise à l'essai pour être utilisée en tant que pompe de piscine. La pompe est livrée avec un conducteur de mise à la terre et une fiche à trois broches. Cette fiche ne doit être branchée que dans une prise de courant à trois trous adéquatement mise à la terre.

Si la prise de courant ne comporte que 2 trous, elle devra être remplacée par une prise de courant à 3 trous dont un de mise à la terre. De plus, elle devra être posée conformément aux codes et aux règlements en vigueur.

Cette pompe n'a pas été mise à l'essai pour être utilisée aux alentours d'une piscine.

12. Il est recommandé d'utiliser un disjoncteur de fuite à la terre avec tous les appareils électriques immergés dans l'eau. Toute l'installation et tout le câblage doivent être effectués par un électricien qualifié.
13. S'assurer que le courant alimentant la pompe est conforme aux caractéristiques de la pompe.

Garantie limitée Simer

SIMER garantit à l'acheteur-utilisateur initial de ses produits ("Acheteur") contre tout défaut de fabrication et de matériaux.

Tout produit reconnu défectueux dans les douze (12) mois qui suivent la date d'achat d'origine sera remplacé ou réparé à la discrétion de SIMER, selon les conditions stipulées ci-dessous. La preuve d'achat est exigée pour déterminer l'admissibilité à la garantie.

Exceptions à la garantie de douze (12) mois

Garantie de quatre-vingt-dix (90) jours :

Si, dans les quatre-vingt-dix (90) jours à compter de la date d'achat par le consommateur d'origine, une pompe adaptable sur perceuse, une pompe d'amorçage ou une cartouche de filtre à eau en ligne s'avérait être défectueuse, elle sera remplacée, conformément aux conditions stipulées ci-dessous.

Garantie de deux (2) ans :

Si, dans les deux (2) ans à compter de la date d'achat par le consommateur d'origine, une pompe d'assèchement submersible de 1/3 ch ou modèle de FP2800DCC s'avérait être défectueuse, elle sera réparée ou remplacée, au choix de SIMER, conformément aux termes et conditions stipulées ci-dessous.

Garantie de trois (3) ans :

Si, dans les trois (3) ans à compter de la date d'achat par le consommateur d'origine, une pompe de puis submersible de 4 pouces ou une pompe d'assèchement submersible de 1/2 ch s'avérait être défectueuse, elle sera réparée ou remplacée, au choix de SIMER, conformément aux termes et conditions stipulées ci-dessous.

Garantie de cinq (5) ans :

Si, dans les cinq (5) ans à compter de la date d'achat par le consommateur d'origine, un réservoir de système d'eau préchargé s'avérait être défectueux, il sera réparé ou remplacé, au choix de SIMER, conformément aux termes et conditions stipulées ci-dessous.

Conditions générales

L'Acheteur s'engage à payer tous les frais de main-d'œuvre et d'expédition nécessaires au remplacement du produit couvert par la garantie. Cette garantie ne couvre pas les cas de force majeure, et ne s'applique pas aux produits qui, du seul avis de SIMER, ont fait l'objet de négligence, d'utilisation abusive ou incorrecte, d'accident, de modification ou d'altération ; ni aux produits qui n'ont pas été installés, utilisés, entretenus ou entretenus correctement ; ni à ceux qui n'ont pas été utilisés ou entretenus normalement, y compris, mais sans s'y limiter, aux produits ayant des pannes de fonctionnement causées par la corrosion, la rouille ou autre corps étranger dans le système, ou à des produits ayant fonctionné à des pressions dépassant la limite maximale recommandée.

Les demandes de service en vertu de la présente garantie seront faites en retournant le produit défectueux au détaillant ou à SIMER dès la découverte de tout défaut allégué. Simer prendra alors les mesures correctives aussi rapidement qu'il est raisonnablement possible. Aucune demande de service en vertu de la présente garantie ne sera acceptée si elle est reçue plus de 30 jours après l'expiration de la dite garantie.

La présente garantie énonce la totalité des obligations de SIMER et le seul recours possible de l'Acheteur dans le cas de produits défectueux.

SIMER NE SERA TENU RESPONSABLE D'AUCUN DOMMAGE INDIRECT, ACCIDENTEL OU FORTUIT QUEL QU'IL SOIT.

LES PRÉSENTES GARANTIES SONT EXCLUSIVES ET TIENNENT LIEU DE TOUTE AUTRE GARANTIE EXPRESSE. LES GARANTIES IMPLICITES, Y COMPRIS, MAIS SANS S'Y LIMITER, LES GARANTIES IMPLICITES AYANT TRAIT À LA COMMERCIALISABILITÉ ET À L'ADAPTATION À UN USAGE PARTICULIER, NE DÉPASSENT PAS LA DURÉE DES GARANTIES EXPRESSES APPLICABLES STIPULÉES DANS LES PRÉSENTES.

Certaines provinces n'autorisent pas d'exclure ou de limiter les dommages fortuits ou indirects ou de limiter la durée d'une garantie implicite ; il se peut donc que les limitations ou exclusions ci-dessus ne s'appliquent pas à votre cas. La présente garantie vous donne des droits juridiques spécifiques et vous pouvez en avoir d'autres qui varient d'une province à l'autre.

SIMER • 293 Wright Street • Delavan, WI U.S.A. 53115

Téléphone: 1-800-468-7867 / 1-800-546-7867 • Télécopieur: 1-800-390-5351

Courrier électronique: info@simerpumps.com • Site Web: <http://www.simerpumps.com>

14. Protéger le cordon électrique de la pompe contre les objets tranchants, les surfaces chaudes, l'huile et les produits chimiques. Éviter de tortiller le cordon électrique. Le remplacer ou le réparer immédiatement s'il est usé ou endommagé.
15. Ne pas toucher au moteur de la pompe pendant qu'elle fonctionne. Les moteurs peuvent fonctionner par des températures élevées.
16. Ne pas manipuler une pompe ni son moteur si on a les mains humides ou si on se tient debout sur une surface mouillée, humide ou dans l'eau.

⚠ AVERTISSEMENT **Risque de secousses électriques. Risque de brûlures, voire de mort.** Si le plancher du sous-sol est humide ou recouvert d'eau, ne pas marcher dessus tant que le courant n'aura pas été coupé. Si la boîte des disjoncteurs se trouve au sous-sol, appeler la compagnie d'électricité pour lui demander de couper le branchement de l'habitation ou appeler le service des incendies local pour de plus amples renseignements. Si on ne respecte pas cet avertissement, on risque d'être mortellement électrocuté.

17. **NE PAS** épisser le cordon électrique.
18. **NE PAS** permettre à la fiche du cordon électrique d'être immergée.
19. **NE PAS** utiliser un cordon prolongateur, car une telle pratique présente un risque d'incendie et la tension peut être suffisamment réduite au point d'empêcher l'eau d'être pompée et/ou d'endommager le moteur.
20. Brancher la pompe ou la câbler sur un circuit de dérivation séparé sur lequel aucun autre équipement ou prise de courant ne sera branché. Déterminer le calibre des fusibles ou des disjoncteurs, conformément aux spécifications.

DESCRIPTION

Cette pompe submersible de 3/10 ch est conçue pour être utilisée dans les puits des habitations. Elle comporte un cordon électrique à 3 conducteurs dont un de mise à la terre. Le moteur à bague de déphasage est rempli d'huile et étanche, ce qui lui permet de fonctionner en chauffant moins. Les paliers de l'arbre du moteur ne requièrent aucun graissage. La pompe comporte également une protection contre les surcharges thermiques à réenclenchement automatique.

CARACTÉRISTIQUES

Courant d'alimentation requis115 V, 60 Hz
 Type de moteurservice continu*
 Gamme des températures
 du liquide pompéde 0 ° à 49 °C (de 32 °F à 120 °F)
 Intensité minimum du circuit15 ampères
 Adaptateur de refoulement1 1/4 po MNPT

NOTA : Pour un fonctionnement en service continu et pour empêcher que le moteur surchauffe, la profondeur de l'eau doit être d'au moins 13 cm (5 pouces).

NOTA : Cette pompe ne doit pas être utilisée pour pomper de l'eau salée ou de la saumure! Pomper de l'eau salée ou de la saumure annulera la garantie.

DÉBITS

Gal/min (L/min) POMPÉS À LA HAUTEUR TOTALE DE REFOULEMENT EN PIEDS (m)					
Modèle	5	10	15	20	Aucun débit à la hauteur indiquée cidessous
	(1,5m)	(3m)	(4,6m)	(6,1m)	
GALLONS(L)/MIN POMPÉS					
2957-01	29	27	21	12	25 Ft.
2957-03	(110)	(102)	(80)	(45)	(7,6m)

INSTALLATION

1. Installer la pompe modèle numéro 2957-01 dans un puits ayant un diamètre minimum de 22,9 cm (9 po) et la pompe modèle numéro 2955-01 dans un puits ayant un diamètre minimum de 27,9 cm (11 po). Le puits doit être construit en carreaux, en béton, en acier ou en plastique. Consulter les codes de la municipalité pour connaître les matériaux approuvés.

La pompe ne doit pas être posée sur une surface en glaise, en terre ou en sable. Enlever les petites pierres et le gravier du fond du puits pour qu'ils ne bouchent pas la pompe. La crépine d'aspiration de la pompe doit toujours être débarrassée des corps étrangers.

2. Installer la pompe dans le puits permettant d'obtenir un dégagement maximum pour le fonctionnement de l'interrupteur à flotteur.
3. Poser un clapet de non retour en ligne pour que l'eau ne retourne pas dans la pompe lorsqu'elle s'arrêtera.
4. **Branchement du tuyau de refoulement.**

A. Utiliser un tuyau rigide en plastique et envelopper les filets du tuyau de ruban d'étanchéité en Téflon^{MD}. À la main, visser le tuyau de refoulement sur la pompe, puis le serrer fermement de 1 tour à 1 1/2 tour de plus.

NOTA : Ne pas utiliser de pâte pour raccords filetés sur les tuyaux en plastique, car elle risque d'attaquer le plastique.

NOTA : Visser prudemment le tuyau de refoulement dans le corps de la pompe en faisant bien attention de ne pas arracher ni fausser les filets.

B. Si on utilise un tuyau de refoulement souple, s'assurer que la pompe est immobilisée en toute sécurité dans le puits pour l'empêcher de se déplacer. Ne pas utiliser un tuyau de refoulement souple si l'installation est permanente.

⚠ ATTENTION **Risque d'inondation, de blessures corporelles ou de dommages matériels.** Si on n'immobilise pas adéquatement la pompe, elle risque de se déplacer, l'interrupteur à flotteur risque de ne pas fonctionner adéquatement et la pompe risque de ne pas démarrer ou de ne pas s'arrêter.

NOTA : Le tuyau de refoulement doit être aussi court que possible pour minimiser les pertes de charge par frottement. Le diamètre du tuyau de refoulement doit être le même, sinon plus gros, que le diamètre de l'orifice de refoulement de la pompe. Un tuyau de diamètre plus petit limitera le débit de la pompe, ce qui minimisera son rendement.

C. Immobiliser le tuyau de refoulement avant de démarrer la pompe. Pour réduire le bruit que pourrait faire le moteur et les vibrations qu'il produit, un petit morceau de tuyau en caoutchouc (une durite de radiateur, par ex.) pourra être branché sur le tuyau de refoulement, près de la pompe.

Si le tuyau de refoulement de la pompe risque d'être exposé au gel, l'installer de façon que la partie exposée au gel puisse se vider par gravité. Si l'on ne respecte pas cette recommandation, l'eau risque de rester emprisonnée dans le tuyau de refoulement et de geler, ce qui endommagera la pompe.

^{MD} E.I. DuPont de Nemours and Company Corporation.

CARACTÉRISTIQUES DU MOTEUR, DE L'INTERRUPTEUR ET DU CORDON ÉLECTRIQUE

Numéro du modèle	Puissance du moteur (ch)	Charge maximum (en ampères)	Circuit de dérivation séparé requis (en ampères)	Longueur du cordon électrique	Réglages de l'interrupteur en pouces (mm)	
					Marche	Arrêt
2957-01	3/10	10,0	15	8'	7 po (178)	2 po (51)
2957-03	3/10	10,0	15	8'	7 po (178)	2 po (51)

Pour obtenir des pièces ou de l'aide, appeler le Service à la clientèle Simer en composant le | 800 468-7867/1 800 546-7867

5. **Courant électrique :** Ces pompes sont conçues pour fonctionner sur le courant alternatif de 115 volts, 60 Hz; elles doivent être branchées sur un circuit séparé ayant une intensité minimale de 15 ampères. La pompe et l'interrupteur à flotteur sont munis de cordons à 3 conducteurs, eux mêmes munis d'une fiche de mise à la terre. La fiche de l'interrupteur à flotteur se branche directement dans la prise de courant et la fiche de la pompe se branche à l'arrière de la fiche de l'interrupteur à flotteur.

⚠ AVERTISSEMENT **Tension dangereuse. Risque de secousses électriques, de brûlures, voire de mort.** La pompe est livrée avec un conducteur et une fiche de mise à la terre. Pour réduire les risques de secousses électriques, s'assurer que la pompe n'est branchée que dans un dispositif de mise à la terre, adéquatement mis à la terre, comme un tuyau d'eau mis à la terre ou un chemin de câbles métallique adéquatement mis à la terre, ou un système de fil de mise à la terre. À des fins de protection, le cordon électrique de la pompe est muni d'une fiche dotée d'une broche de mise à la terre. **NE JAMAIS ENLEVER CETTE BROCHE!**

Il est recommandé de brancher tous les appareils électriques immergés dans l'eau sur un circuit protégé par un disjoncteur de fuite à la terre. Pour l'installation d'un tel circuit, s'adresser à un électricien qualifié.

6. Après avoir branché les tuyaux et posé un clapet de non retour (le cas échéant), la pompe est prête à fonctionner.
7. Vérifier le fonctionnement de la pompe en remplissant le puisard d'eau et en observant le fonctionnement de la pompe sur un cycle complet.

⚠ AVERTISSEMENT **Risque d'inondation. Risque de blessures corporelles et/ou de dommages matériels.** Ne pas procéder à cette vérification de fonctionnement peut causer un fonctionnement inadéquat, à une panne prématurée de la pompe et une inondation.

FONCTIONNEMENT

⚠ AVERTISSEMENT **Risque de secousses électriques pouvant causer des brûlures, voire la mort.** Ne pas manipuler la pompe ni le moteur de la pompe si on a les mains humides ou lorsqu'on se tient debout sur une surface humide ou trempée ou lorsqu'on se tient dans l'eau.

1. Toujours tenir la crépine d'aspiration de la pompe dégagée de tout débris.
2. Le joint de l'arbre dépend de l'eau pour sa lubrification. Ne pas faire fonctionner la pompe si elle n'est pas immergée dans l'eau. Le joint de la pompe sera endommagé si la pompe fonctionne à sec.
3. Le moteur est équipé d'un dispositif de protection thermique à réenclenchement automatique. Si la température du moteur devait s'élever exagérément, le disjoncteur coupera le courant alimentant le moteur avant que le moteur soit endommagé. Dès que le moteur aura suffisamment refroidi, le disjoncteur se réenclenchera automatiquement et le moteur redémarrera. Si le dispositif de protection contre les surcharges se déclenche de façon répétitive, démonter la pompe et déterminer la cause de l'incident. Une tension trop basse, des cordons prolongateurs trop longs, un impulseur bouché, une hauteur de refoulement trop basse, etc. peuvent être la cause de ce cyclage. Pour de plus amples renseignements, se reporter au tableau « Recherche des pannes » de la page 10.
4. Inspecter périodiquement la pompe, les composants du système et le puisard à la recherche de débris et de corps étrangers. Garder le puisard toujours débarrasser des débris. Procéder à l'entretien périodique comme il est stipulé.

⚠ AVERTISSEMENT **Risque d'inondation pouvant causer des blessures personnelles ou des dommages matériels.** Cette pompe, qui est livrée prête à être utilisée, est dotée d'un interrupteur à flotteur à fonctionnement automatique monté sur le couvercle du moteur. Ne pas modifier les réglages de l'interrupteur. Pour connaître les réglages de l'interrupteur, se reporter au tableau « Caractéristiques du moteur, de l'interrupteur et du cordon électrique.

ENTRETIEN

Pour nettoyer la crépine de la pompe :

NOTA : Essayer de démonter le moteur annulera la garantie.

⚠ AVERTISSEMENT **Risque de secousses électriques pouvant causer des brûlures, voire la mort.** Toujours débrancher la pompe du courant avant d'intervenir sur un composant du système. Ne jamais lever la pompe par son cordon électrique.

1. Avant d'intervenir sur la pompe, couper le courant qui l'alimente.

⚠ AVERTISSEMENT **Risque de secousses électriques pouvant causer des brûlures, voire la mort.** Avant d'intervenir sur le système, toujours débrancher le cordon électrique de la prise de courant.

2. Desserrer le tuyau de refoulement.
3. Lever la pompe par sa poignée pour la sortir du puisard, puis la poser sur une surface propre et de niveau.
4. Pour nettoyer la crépine, déposer les trois (3) vis de fixation de la crépine sur le socle de la pompe (se reporter à la Figure 1), puis déposer et nettoyer la crépine.

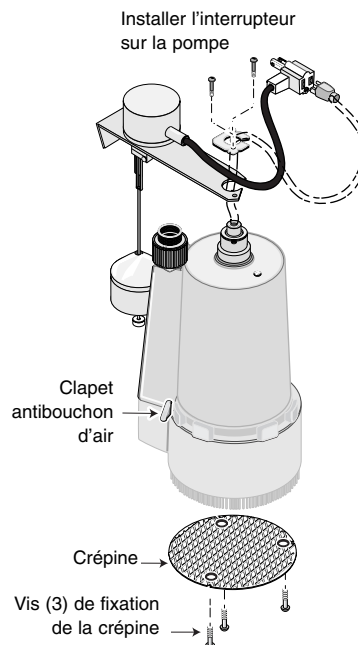


Figure 1 - Pour nettoyer la crépine et le clapet antibouchon d'air et pour brancher l'interrupteur à flotteur.

5. Reposer la crépine et les vis de fixation.
6. Remettre la pompe dans le puisard.
7. Rebrancher le tuyau de refoulement.
8. Vérifier le fonctionnement du système en remplissant le puisard d'eau et en observant le fonctionnement de la pompe sur un cycle complet.

⚠ AVERTISSEMENT **Risque d'inondation pouvant causer des blessures personnelles ou des dommages matériels.** Ne pas procéder à cette vérification de fonctionnement risque de causer un mauvais fonctionnement et une panne prématurée de la pompe, ainsi qu'une inondation.

Pour remplacer un interrupteur à flotteur vertical :

NOTA : Le flotteur doit pouvoir se déplacer sur tout son arc sans être gêné d'autres objets.

1. À l'aide des vis de fixation, poser le support sur le boîtier de l'interrupteur. Se reporter à la Figure 2.

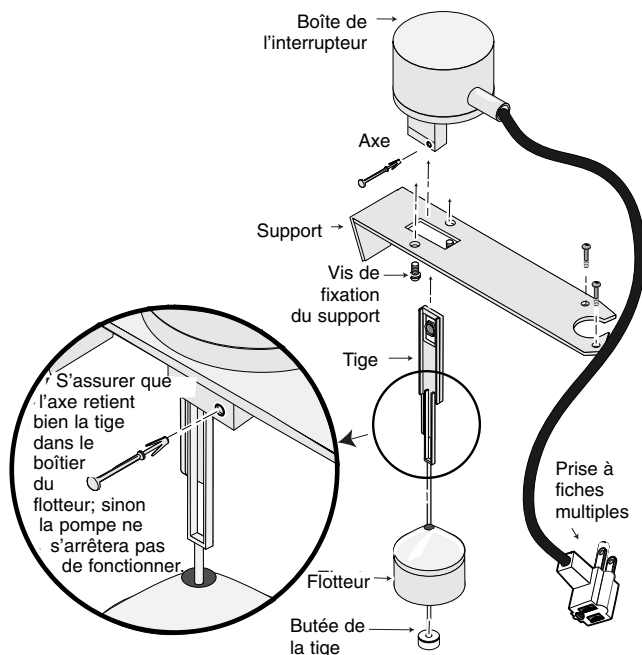


Figure 2 - Remplacement de l'interrupteur à flotteur.

2. Monter le flotteur et la butée de la tige du flotteur sur la tige.
3. Glisser la tige dans le support et dans la fente qui se trouve à la partie inférieure du boîtier de l'interrupteur. Faire tenir la tige dans le boîtier de l'interrupteur à l'aide de l'axe. Se reporter à la Figure 2.

ATTENTION

S'assurer que l'axe retient bien la tige dans le boîtier du flotteur; sinon la pompe ne s'arrêtera pas de fonctionner.

NOTA : Tirer prudemment sur la tige pour s'assurer qu'elle ne puisse pas se détacher du boîtier de l'interrupteur.

4. Poser l'interrupteur sur la pompe à l'aide des vis fournies.
5. Faire fonctionner la pompe sur un cycle complet pour vérifier le bon fonctionnement de l'interrupteur et s'assurer que rien ne gêne le fonctionnement de l'interrupteur.

AVERTISSEMENT

Risque d'inondation pouvant causer des blessures personnelles ou des dommages matériels. Ne pas procéder à cette vérification de fonctionnement risque de causer un mauvais fonctionnement et une panne prématurée de la pompe, ainsi qu'une inondation.

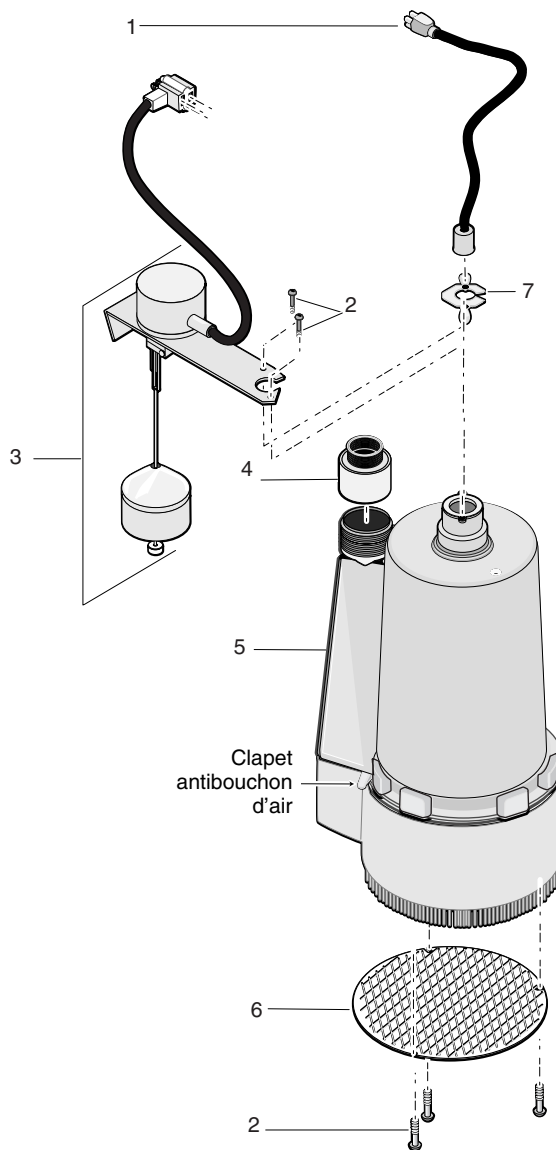
BOUCHONS D'AIR :

Si des bouchons d'air se forment dans la pompe, la pompe continuera de fonctionner mais ne débitera pas d'eau. Un bouchon d'air peut causer la surchauffe de la pompe, et éventuellement sa panne.

Un petit trou est pratiqué dans le corps de cette pompe. Se reporter à Figure 1. C'est ce qu'on appelle un clapet antibouchon d'air. Si on soupçonne qu'il y a un bouchon d'air, introduire une épingle ou du nettoyant de tuyau dans le trou antibouchon d'air pour enlever les débris.

Recherche des pannes

SYMPTÔMES	CAUSES POSSIBLES	REMÈDES
La pompe ne démarre pas ou ne fonctionne pas.	Fusible sauté. Tension de ligne basse. Moteur défectueux. Interrupteur à flotteur défectueux. Flotteur obstrué.	Le remplacer par un fusible de calibre adéquat. Si la tension est inférieure à la tension minimum recommandée, vérifier le calibre des conducteurs côté disjoncteur principal de la propriété. Si le calibre des conducteurs est bon, s'adresser à la compagnie d'électricité. Remplacer la pompe. Remplacer l'interrupteur à flotteur. Enlever l'obstruction.
La pompe démarre et s'arrête trop souvent.	Circulation à contre-courant de l'eau dans les tuyaux. Interrupteur à flotteur défectueux.	Poser un clapet de non retour ou le remplacer. Remplacer l'interrupteur à flotteur.
La pompe ne s'arrête pas.	Interrupteur à flotteur défectueux. Refoulement obstrué (obstruction dans le tuyau). Flotteur obstrué.	Remplacer l'interrupteur à flotteur. Déposer la pompe et la nettoyer ainsi que les tuyaux. Enlever l'obstruction.
La pompe fonctionne mais ne débite pas d'eau ou débite très peu d'eau.	Tension de ligne basse. Pièces usées ou bien impulseur bouché. Anti airlock vent hole is plugged.	Si la tension est inférieure à la tension minimum recommandée, vérifier le calibre des conducteurs côté interrupteur principal de la propriété. Si le calibre des conducteurs est bon, s'adresser à la compagnie d'électricité. Remplacer la pompe. Clean out vent hole with a hat pin or pipe cleaner.



LISTE DE PIÈCES DE RECHANGE

Réf.	Désignation	Qté	2957-01	2957-03
1	Cordon électrique	1	227-264-B-TSU	227-264-B-TSU
2	Vis de poignée, de crépine et de collier	5	670-646	670-646
3	Interrupteur à flotteur vertical	1	Pkg 208	Pkg 208
4	Adaptateur	1	229-014	229-014
5	Couvercle du moteur	1	**	**
6	Crépine d'aspiration	1	667-013	667-013
7	Poignée	1	383-147-B	383-147-B

** Si le moteur tombe en panne, remplacer la pompe au complet.

() Indique qu'une quantité différente est requise pour chaque numéro de modèle.

LEA Y OBSERVE LAS INSTRUCCIONES DE SEGURIDAD

Lea con atención y siga todas las instrucciones de seguridad que aparecen en este manual y en la bomba.

⚠ Este es un símbolo de alerta de seguridad. Cuando vea este símbolo en su bomba o en este manual, busque una de las siguientes palabras de señal y esté alerta a la posibilidad de lesiones personales:

⚠ PELIGRO advierte sobre peligros que, si se ignoran, **provocarán** lesiones personales graves, muerte o daños materiales considerables

⚠ ADVERTENCIA advierte sobre peligros que, si se ignoran, **pueden provocar** lesiones personales graves, muerte o daños materiales considerables.

⚠ PRECAUCIÓN advierte sobre peligros que, si se ignoran, **provocarán o pueden provocar** lesiones personales o daños materiales de menor envergadura.

La etiqueta **AVISO** indica instrucciones especiales que son importantes pero no están relacionadas con peligros.

Las bombas de accionamiento eléctrico proporcionan generalmente muchos años de servicio sin problemas cuando se instalan, se mantienen y se usan correctamente. Sin embargo, circunstancias inusuales (interrupciones de corriente eléctrica a la bomba, polvo/escombros en el sumidero, inundación que sobrepasa la capacidad de la bomba, falla eléctrica o mecánica en la bomba, etc.) pueden impedir que su bomba funcione debidamente. Para evitar la posibilidad de daños por agua debido a una inundación, consulte a su representante de ventas sobre la posibilidad de instalar una bomba secundaria de sumidero, una bomba de sumidero de respaldo a CC, y/o una alarma de alto nivel de agua. Consulte el "Cuadro de Localización de Fallas" en este manual para obtener información sobre los problemas más comunes con bombas de sumidero y sus soluciones. Para obtener más información al respecto, consulte a su representante de ventas o llame al departamento de atención al público, 1-800-468-7867.

1. Conozca los usos de la bomba, sus limitaciones y los posibles peligros.
2. Desconecte la corriente antes de realizar trabajos de reparación o mantenimiento.
3. Descargue toda la presión dentro del sistema antes de reparar o prestar servicio a cualquiera de los componentes.
4. Drene toda el agua del sistema antes de realizar trabajos de reparación o mantenimiento.
5. Fije la línea de descarga antes de encender la bomba. Si la línea de

descarga no está firmemente fija, podrá sacudirse y provocar lesiones personales y/o daños materiales.

6. Verifique que las mangueras no estén débiles o gastadas antes de cada uso, asegurándose de que todas las conexiones estén firmes.
7. Periódicamente, inspeccione los componentes del sumidero, de la bomba y del sistema. Manténgalos libres de escombros y objetos foráneos. Realice los procedimientos de mantenimiento de rutina necesarios.
8. Suministre un medio de descarga de presión para las bombas cuya línea de descarga pueda quedar cerrada u obstruida.
9. Seguridad personal:
 - a. Use gafas de seguridad en todo momento cuando trabaje con bombas.
 - b. Mantenga el área de trabajo limpia, ordenada y debidamente iluminada - vuelva a colocar en su lugar toda herramienta y equipo que no esté en uso.
 - c. Mantenga a los visitantes a una distancia segura del área de trabajo.
 - d. Asegúrese de que el área sea "a prueba de niños" - con candados, interruptores maestros y verificando que se hayan retirado las llaves de encendido.
10. Cuando realice el cableado de una bomba de accionamiento eléctrico, cumpla con todos los códigos de electricidad y seguridad que correspondan.
11. Este equipo se debe usar solamente con 115 voltios y viene equipado con un cordón aprobado de 3 conductores y un enchufe de 3 clavijas con conexión a tierra.

⚠ ADVERTENCIA **Tensión peligrosa. Puede provocar choque, quemadura o muerte.** Para reducir el peligro de choque eléctrico, desenchufe la bomba antes de realizar trabajos de reparación o mantenimiento. La bomba viene equipada con un conductor de puesta a tierra y un enchufe de conexión a tierra. Asegúrese de que esté conectado solamente a un tomacorriente de puesta a tierra debidamente conectado a tierra.

En el caso de receptáculos de 2 clavijas, estos deberán ser reemplazados por un tomacorriente de 3 clavijas debidamente conectado a tierra e instalado conforme a los códigos y reglamentos que correspondan. No se ha investigado la operación de esta bomba para su uso en áreas de piscinas de natación.

12. Se recomienda usar un disyuntor de escape a tierra con todo aparato eléctrico sumergido en agua. La instalación y todo el cableado deben ser realizados por un electricista habilitado.
13. Verifique que la fuente de corriente cumpla con los requisitos de su equipo.

Garantía limitada de Simer

Simer garantiza al comprador consumidor original ("Comprador") de sus productos, que éstos se encuentran libres de defectos de material o mano de obra.

Si dentro de los doce (12) meses de la fecha original de la compra cualquiera de los productos demostrara estar defectuoso, el mismo será reparado o reemplazado, a opción de Simer con sujeción a los términos y condiciones expuestos a continuación. Se requiere su recibo original de compra para determinar si se encuentra bajo garantía.

Excepciones a la Garantía por Doce (12) Meses

Garantía de noventa (90) días

Si se comprueba que una Bomba de Perforación, una Bomba de Émbolo Buzo o un Cartucho de Filtro de Agua en línea, tienen defectos, dentro de los noventa (90) días a partir de la compra del consumidor original, éstos serán reemplazados, sujeto a las condiciones indicadas a continuación.

Garantía de dos (2) años

Si se comprueba que una Bomba Sumergible de Sumidero de 1/3 CV o Modelo FP2800DCC tiene defectos, dentro de los dos (2) años a partir de la compra del consumidor original, ésta será reparada o reemplazada, a opción de SIMER, sujeto a los términos y a las condiciones indicadas a continuación.

Garantía de tres (3) años

Si se comprueba que una Bomba Sumergible de Pozo de 4", o una Bomba Sumergible de Sumidero de 1/2 CV tienen defectos, dentro de los tres (3) años a partir de la compra del consumidor original, éstas serán reparadas o reemplazadas, a opción de SIMER, sujeto a los términos y a las condiciones indicadas a continuación.

Garantía de cinco (5) años

Si se comprueba que un tanque precargado del sistema de agua tiene defectos, dentro de los cinco (5) años a partir de la compra del consumidor original, éste será reparado o reemplazado, a opción de SIMER, sujeto a los términos y a las condiciones indicadas a continuación.

Términos y Condiciones Generales

El comprador debe pagar todos los gastos de mano de obra y transporte necesarios para reemplazar el producto cubierto por esta garantía. Esta garantía no se aplicará a hechos de fuerza mayor, ni se aplicará a los productos que, a juicio exclusivo de Simer, hayan sido objeto de negligencia, abuso, accidente, aplicaciones contraindicadas, manejo indebido, alteraciones; ni debido a instalación, funcionamiento, mantenimiento o almacenaje incorrectos; ni a ninguna otra cosa que no sea su aplicación, uso o servicio normales, incluyendo, pero no limitado a, fallas operacionales causadas por corrosión, oxidación u otros elementos extraños en el sistema, o funcionamiento a presión por encima del máximo recomendado.

Los pedidos de servicio bajo los términos de esta garantía serán efectuados mediante la devolución del producto defectuoso al Vendedor o a Simer, tan pronto como sea posible, después de localizado cualquier supuesto defecto. Simer tomará luego acción correctiva, tan pronto como sea razonablemente posible. Ningún pedido de servicio bajo esta garantía será aceptado si se recibe más de 30 días después del término de la garantía.

Esta garantía establece la obligación única de Simer y el remedio exclusivo del comprador en el caso de productos defectuosos.

Simer NO SERÁ RESPONSABLE POR NINGÚN DAÑO CONSECUENTE, INCIDENTAL O CONTINGENTE DE NINGUNA NATURALEZA.

LAS GARANTÍAS ANTERIORES SON EXCLUSIVAS Y REEMPLAZAN CUALESQUIERA OTRAS GARANTÍAS EXPRESAS, LAS GARANTÍAS IMPLÍCITAS, INCLUYENDO, PERO NO LIMITADAS A, LAS GARANTÍAS IMPLÍCITAS DE COMERCIABILIDAD Y APTITUD PARA UN PROPÓSITO EN PARTICULAR, NO DEBERÁN EXCEDER EL PERÍODO DE DURACIÓN DE LAS GARANTÍAS EXPRESAS APLICABLES AQUÍ PROVISTAS.

Algunos estados no permiten la exclusión o limitación de daños incidentales o consecuentes ni las limitaciones respecto a la duración de garantías implícitas; de modo que las limitaciones o exclusiones precedentes pueden no aplicarse en su caso. Esta garantía le concede derechos legales específicos. Usted puede tener, además, otros derechos que varían de un estado a otro.

SIMER • 293 Wright St. • Delavan, WI U.S.A. 53115

Teléfono: 1-800-468-7867 / 1-800-546-7867 • Fax: 1-800-390-5351

e-Mail (correo electrónico): info@simerpumps.com • Dirección web: <http://www.simerpumps.com>

Si necesita repuestos o asistencia llame al Servicio al Cliente de Simer, 1-800-468-7867/1-800-546-7867

- 14. Proteja el cordón eléctrico de objetos afilados, superficies calientes, aceites y sustancias químicas. Evite que el cordón se tuerza. Reemplace o repare inmediatamente todo cordón averiado o gastado.
- 15. No toque un motor en funcionamiento. Los motores pueden funcionar a altas temperaturas.
- 16. No maneje la bomba, el motor de la bomba, ni cambie los fusibles con las manos mojadas o cuando esté parado en suelo húmedo o mojado, o en el agua.

⚠ ADVERTENCIA **Riesgo de choque eléctrico. Puede quemar o provocar la muerte.** Si su sótano tiene agua o el piso está húmedo, no camine en el área mojada hasta que no haya desactivado toda fuente de corriente eléctrica. Si la llave de paso está en el sótano, llame a la compañía de electricidad o de energía para cortar el servicio a su casa, o llame al departamento de bomberos de su localidad para solicitar instrucciones. El incumplimiento de esta advertencia puede resultar en un choque eléctrico mortal.

- 17. **NO** empalme el cordón eléctrico.
- 18. **NO** permita que se sumerja el enchufe del cordón eléctrico.
- 19. **NO** use cordones de alargue ya que representan un peligro de incendio y pueden reducir la tensión lo suficiente como para evitar el bombeo y/o perjudicar el motor.
- 20. Conecte o cablee la bomba a un ramal individual, sin otras tomas ni equipos en el circuito. El tamaño de los fusibles o de los disyuntores debe ser conforme a las especificaciones.

DESCRIPCIÓN

Estas bombas de sumidero de 3/10 HP están diseñadas para uso en sumideros domésticos. Las unidades vienen equipadas con un cordón eléctrico de 3 clavijas de puesta a tierra. Los motores con polo de color están llenos de aceite y sellados para una operación más fría. Los cojinetes de manguito en el eje del motor nunca necesitan lubricación. Las bombas incluyen protección automática de reposición térmica.

ESPECIFICACIONES

Suministro de corriente requerido115V, 60 Hz
 Servicio del motorcontinuo
 Gama de temp. del líquido32° F - 120° F (0° - 49° C)
 Requisito (mínimo) del ramal individual15 amperios
 Adaptador de descarga:NPT macho de 1-1/4"

AVISO: Para una operación continua, la profundidad del agua debe ser de 5 pulgadas (13 cm) como mínimo para evitar que el motor se recaliente.

AVISO: Esta unidad no ha sido diseñada para uso con agua salada o salubre. El uso con agua salada o salubre anulará la garantía.

DESEMPEÑO

Modelo	GPM (LPM) a altura total en pies (M)				No hay flujo a la altura que se indica abajo
	5 (1.5m)	10 (3m)	15 (4.6m)	20 (6.1m)	
CAPACIDAD EN GALONES (LITROS)/MINUTO					
2957-01	29 (110)	27 (102)	21 (79)	12 (45)	25 Ft. (7.6m)
2957-03					

INSTALACIÓN

1. Instale la bomba modelo número 2957-01 en un foso de sumidero con un diámetro mínimo de 9" (229mm) y la bomba modelo número 2955-01 en un foso de sumidero con un diámetro mínimo de 11" (279mm). Construya el foso de sumidero de baldosas, hormigón, acero o plástico. Verifique los códigos locales con respecto a los materiales aprobados. La bomba no se debe instalar sobre superficies de arcilla, tierra o arena. Limpie el foso del sumidero para eliminar las piedras pequeñas y la grava que puedan obstruir la bomba. Mantenga la caja de aspiración de la bomba libre de escombros.
2. Instale la bomba en el foso de forma que el mecanismo de operación del interruptor tenga el mayor huelgo posible.
3. Instale una válvula de retención en línea para evitar el retroflujo a través de la bomba cuando ésta se cierre.

4. Instale la plomería de descarga.

- A. Cuando use una tubería rígida, use una tubería de plástico. Envuelva la rosca de la tubería de descarga con cinta de Teflón™. Atornille la tubería en la abertura de descarga de la bomba apretando entre +1 y 1-1/2 vueltas.

AVISO: No use compuesto común para uniones de tubos en tuberías de plástico. El compuesto para uniones de tubos puede atacar al plástico.

AVISO: Enrosque la tubería de descarga en el cuerpo de la bomba cuidando de no desgarrar ni cruzar las roscas.

- B. Si se usa una manguera flexible de descarga, asegúrese de que la bomba esté firmemente colocada en el sumidero para impedir el movimiento. No use una tubería flexible de descarga en una instalación permanente.

⚠ PRECAUCIÓN **Riesgo de inundación. Puede provocar lesiones personales o daños materiales.** Si la bomba no se coloca firmemente, podrá haber un movimiento en la bomba e interferencia en el interruptor que impedirá que la bomba se encienda y se detenga debidamente.

AVISO: La tubería de descarga debe ser lo más corta posible para reducir las pérdidas por fricción de la tubería. El diámetro de la tubería de descarga debe ser igual o mayor que el tamaño de la descarga de la bomba. Diámetros de bomba menores pueden restringir la capacidad de la bomba y reducir su rendimiento.

- C. Coloque firmemente la línea de descarga antes de encender la bomba.

Para reducir el ruido y las vibraciones del motor, se puede conectar una manguera corta de caucho (por ej. manguera de radiador) en la línea de descarga, cerca de la bomba, usando abrazaderas adecuadas.

Si la línea de descarga de la bomba está expuesta a la intemperie a temperaturas heladas, la porción de la línea que quede expuesta, deberá ser instalada de manera que el agua que permanezca en la tubería se desague hacia la salida por gravedad. Si se ignora esta precaución, existe el riesgo de que el agua que quede atrapada en la descarga se congele y dañe la bomba.

™ E.I. DuPont de Nemours and Company Corporation.

ESPECIFICACIONES DEL MOTOR, INTERRUPTOR Y CORDÓN ELÉCTRICO

Modelo No.	HP del motor	Carga total del Motor en Amperios	Requisito de ramal individual (Amps.)	Largo del cordón	Graduación del interruptor en pulgadas (mm)	
					Encendido	Apagado
2957-01	3/10	10.0	15	8'	7" (178)	2" (51)
2957-03	3/10	10.0	15	8'	7" (178)	2" (51)

Si necesita repuestos o asistencia llame al Servicio al Cliente de Simer, 1-800-468-7867/1-800-546-7867

5. **Suministro de corriente eléctrica.** Estas bombas han sido diseñadas para funcionar a 115V, 60 Hz. y requieren un ramal individual de 15 amperios como mínimo. Tanto la bomba como el interruptor vienen con un juego de cordón trifilar y enchufe con puesta a tierra. El enchufe del interruptor se inserta directamente en el tomacorriente y el enchufe de la bomba se inserta en el extremo opuesto del enchufe del interruptor.

⚠ ADVERTENCIA Tensión peligrosa. Puede provocar choques, quemaduras o muerte. La bomba viene provista de un conductor de puesta a tierra y un enchufe de conexión a tierra. Para reducir el riesgo de choque eléctrico, verifique que se conecte solamente a un tomacorriente de puesta a tierra debidamente conectado a tierra como una tubería de agua puesta a tierra, una canalización metálica debidamente puesta a tierra, o un sistema de cableado a tierra. El borne de puesta a tierra en el enchufe del cordón de la bomba viene provisto para su protección. ¡NO LO RETIRE!

Se recomienda el uso de un disyuntor de descarga a tierra para usar con cualquier aparato eléctrico sumergido en el agua. Consulte a un electricista habilitado para la instalación de un circuito de este tipo.

6. Después de haber instalado la tubería y la válvula de retención (si se requiere), la unidad estará lista para funcionar.
7. Inspeccione la operación del sistema observando el funcionamiento de la bomba durante un ciclo completo.

⚠ ADVERTENCIA Riesgo de inundación. Puede provocar lesiones personales y/o daños materiales. Si no se realiza esta verificación de la operación, existe el riesgo de un funcionamiento inadecuado, una falla prematura e inundaciones.

OPERACIÓN

⚠ ADVERTENCIA Riesgo de choque eléctrico. Este choque puede provocar quemaduras o matar. No opere la bomba o el motor de la bomba con las manos mojadas o cuando esté parado sobre una superficie mojada o húmeda, o en el agua.

1. Mantenga la criba de entrada de la bomba limpia.
2. El sello del eje depende del agua para su lubricación. No opere la bomba a menos que se encuentre sumergida en agua, ya que el sello se perjudicará si la bomba marcha en seco.
3. El motor está equipado con un protector térmico de reposición automático. Si la temperatura del motor aumenta indebidamente, el interruptor cortará la corriente antes de que se dañe el motor. Cuando el motor se haya enfriado lo suficiente, el interruptor se reposicionará automáticamente y arrancará el motor de nuevo. Si el protector se dispara repetidamente, debe sacar la bomba y debe buscar la causa del problema. Baja tensión, cordones de alargue largos, impulsor obstruido, muy poca altura o alza, etc. pueden provocar los ciclos. Remítirse al Cuadro de Localización de Fallas en la página 15 para información adicional.
4. Inspeccione periódicamente la bomba, los componentes del sistema y el sumidero para asegurarse de que no haya residuos u objetos extraños. Mantenga el sumidero libre de desechos. Lleve a cabo un mantenimiento de rutina según sea necesario.

⚠ ADVERTENCIA Riesgo de inundación. Puede provocar lesiones personales o daños materiales. Esa bomba viene con el interruptor automático de flotador montado en la tapa del motor listo para operar. No cambie las graduaciones del interruptor. Remítirse al cuadro "Especificaciones del motor, interruptor y cordón eléctrico" para las graduaciones del interruptor.

MANTENIMIENTO

Para limpiar la criba de la bomba:

AVISO: El intentar desarmar el motor invalidará la garantía.

⚠ ADVERTENCIA Riesgo de choque eléctrico. Este choque puede provocar quemaduras o matar. Siempre desconecte la bomba de la fuente de corriente eléctrica antes de reparar cualquier componente del sistema. No levante la bomba por medio del cordón eléctrico.

1. Desconecte la corriente eléctrica antes de realizar trabajos de reparación.

⚠ ADVERTENCIA Riesgo de choque eléctrico. Este choque puede provocar quemaduras o matar. Cuando esté realizando trabajos de reparación, siempre desconecte el cordón eléctrico de la salida de corriente eléctrica.
2. Afloje la tubería de descarga.
3. Use el mango de la bomba para sacar la bomba del foso del sumidero y coloque la bomba sobre una superficie nivelada y limpia.
4. Para limpiar la criba, saque los tres tornillos que sujetan la criba a la base de la bomba (Ver figura 1), retire y enjuague la criba.

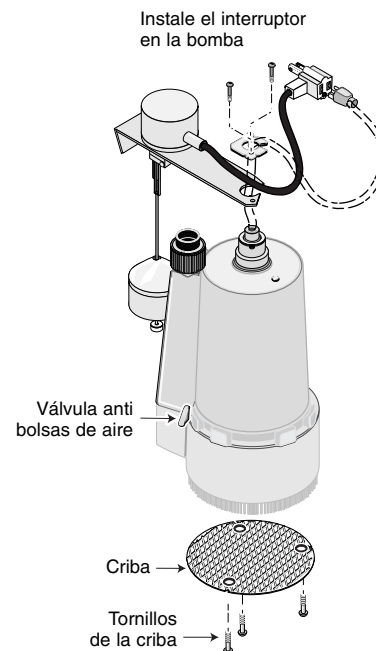


Figura 1: Para limpiar la criba y la válvula anti bolsa de aire y para sujetar el interruptor de flotador.

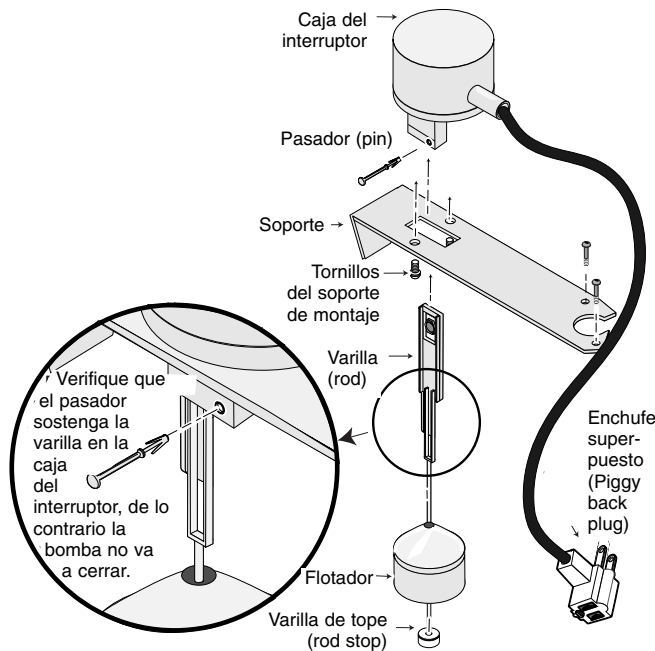
5. Vuelva a instalar la criba y los tornillos.
6. Coloque nuevamente la bomba en el foso del sumidero.
7. Re-instale la tubería de descarga.
8. Inspeccione el funcionamiento del sistema llenando el depósito con agua y observando el funcionamiento de la bomba durante un ciclo completo.

⚠ ADVERTENCIA Riesgo de inundación. Puede provocar lesiones personales o daños materiales. El no realizar esta inspección de funcionamiento puede resultar en un funcionamiento inadecuado, una falla prematura e inundación.

Cómo reemplazar el interruptor de flotador vertical:

AVISO: El flotador debe poder completar todo su ciclo sin interferencia de objeto alguno.

1. Monte el soporte en la caja del interruptor con los tornillos del soporte de montaje. Ver figura 2.



2. Monte el flotador y la varilla de tope del flotador en la varilla.
3. Deslice la varilla por el soporte y en la ranura en la parte inferior de la caja del interruptor. Ajuste la varilla en la caja del interruptor con el pasador. Ver figura 2.

⚠ PRECAUCIÓN Verifique que el pasador sostenga la varilla del flotador en la caja del interruptor, de lo contrario la bomba no va a cerrar.

AVISO: Jale suavemente de la varilla para asegurarse de que no puede salirse de la caja del interruptor.

4. Monte la unidad del interruptor en la bomba con los tornillos que se proveen.
5. Haga funcionar la bomba durante un ciclo completo para verificar que el funcionamiento del interruptor es correcto y sin interferencias.

⚠ ADVERTENCIA **Riesgo de inundación. Puede provocar lesiones personales o daños materiales.** El no realizar esta inspección de funcionamiento puede resultar en un funcionamiento inadecuado, una falla prematura e inundación.

BOLSAS DE AIRE:

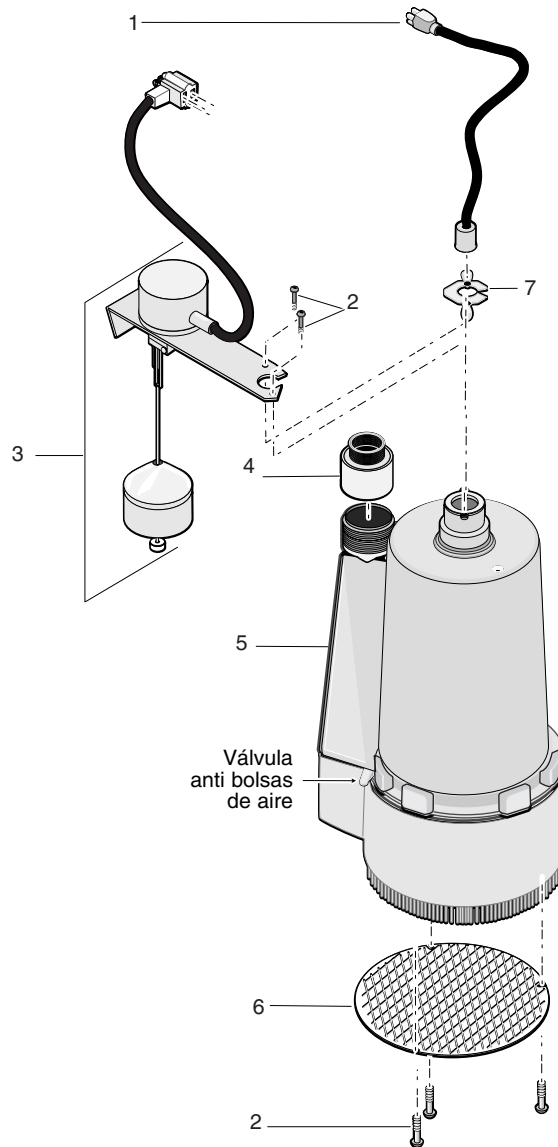
Cuando una bomba tiene obstrucciones por bolsas de aire, funciona pero no mueve el agua. Una bolsa de aire hará que la bomba se recaliente y falle.

Esta bomba tiene un pequeño orificio del lado de la caja de la bomba. Ver figura 1. Es una válvula anti-bolsas de aire. Si sospecha que hay bolsas de aire, inserte una aguja o un alambre en el orificio anti-bolsas de aire para quitar los residuos.

Figura 2: Reemplace el interruptor de flotador.

Localización de fallas

SÍNTOMA	CAUSA(S) PROBABLE(S)	ACCIÓN CORRECTIVA
La bomba no arranca o no marcha.	Fusible quemado. Baja tensión de línea. Motor defectuoso. Interruptor de flotador defectuoso. Flotador obstruido.	Si está quemado, reemplace por un fusible del tamaño adecuado. Si la tensión es inferior al mínimo recomendado, verifique el tamaño de los cables desde el interruptor principal en la propiedad. Si es el correcto, comuníquese con la empresa de energía o de suministro de corriente eléctrica. Reemplace la bomba. Reemplace el interruptor de flotador. Elimine la obstrucción.
La bomba no se apaga.	Retroflujo de agua desde la tubería. Interruptor de flotador defectuoso.	Instale o reemplace la válvula de retención. Reemplace el interruptor de flotador.
La bomba arranca y se detiene con demasiada frecuencia.	Interruptor de flotador defectuoso. Descarga restringida (obstáculo en la tubería). Flotador obstruido.	Reemplace el interruptor de flotador. Saque la bomba y limpie la bomba y la tubería. Elimine la obstrucción.
La bomba funciona pero descarga poco o nada de agua.	Baja tensión de línea. Piezas gastadas o impulsor tapado. Anti airlock vent hole is plugged.	Si la tensión es inferior al mínimo recomendado, verifique el tamaño de los cables desde el interruptor principal en la propiedad. Si es el correcto, comuníquese con la empresa de energía o de suministro de corriente eléctrica. Reemplace la bomba. Clean out the vent hole with a hat pin or pipe cleaner.



LISTA DE PIEZAS DE REPUESTO

Clave No.	Descripción de la pieza	Cant.	2957-01	2957-03
1	Cordón eléctrico	1	227-264-B-TSU	227-264-B-TSU
2	Tornillos, mango, criba, abrazadera	5	670-646	670-646
3	Unidad de interruptor de flotador vertical	1	Pkg 208	Pkg 208
4	Adaptador	1	229-014	229-014
5	Tapa, unidad del motor	1	**	**
6	Criba de admisión (inlet screen)	1	667-013	667-013
7	Mango	1	383-147-B	383-147-B

** Si falla el motor, reemplace la bomba completa.

() Indica que se requiere una cantidad diferente para cada número de modelo.