



## Instruction Manual

Please read carefully before use and keep for future reference.

---

---

# Table of Contents

<b>Thank You .....</b>	<b>3</b>	<b>Using the AUX Input .....</b>	<b>13</b>
<b>In the Box .....</b>	<b>3</b>	<b>Streaming Music with Bluetooth® .....</b>	<b>14</b>
<b>Before You Start .....</b>	<b>4</b>	Connecting a Device for the First Time (Pairing) .....	14
<b>At a Glance .....</b>	<b>5</b>	Playing Connected Devices .....	15
<b>Connect Power .....</b>	<b>8</b>	<b>Warnings and Precautions.....</b>	<b>16</b>
AC Power.....	8	<b>Specifications .....</b>	<b>20</b>
Battery Power.....	8	<b>Support .....</b>	<b>20</b>
<b>Basic Functions.....</b>	<b>9</b>		
Turning the Unit On and Off .....	9		
Adjusting the Volume.....	9		
<b>Using the FM Radio.....</b>	<b>9</b>		
<b>Using the CD Player .....</b>	<b>10</b>		
About Compact Discs .....	10		
Loading a Disc.....	10		
Playing a Disc.....	10		
Repeat Playback .....	11		
Programming a Playlist .....	11		

---

---

# Thank You

We know you have many choices when it comes to technology; thank you for choosing us here at Naxa Electronics. Established in 2001 in Los Angeles, California, we are dedicated to delivering products that entertain and delight.

We trust that you will be happy with your purchase. Please read this manual carefully and save it for reference. You may also find the latest FAQ, documentation, and other product material at our website. Come visit us on the web at **[www.naxa.com](http://www.naxa.com)** and see all that we have to offer!

---

---

# In the Box

Please take a moment to make sure that you have everything in the list below. Although we make every effort to ensure that each Naxa device is securely packed and sealed, we know a lot can happen in between us and you. If anything is missing, check back with your local retailer to get immediate assistance. If they cannot help you, please contact our Naxa Support team at **[www.naxa.com/naxa\\_support](http://www.naxa.com/naxa_support)**.

- NPB-270 portable CD player
- AC power cable
- User manual

---

# Before You Start

Please take note of the following before you start.

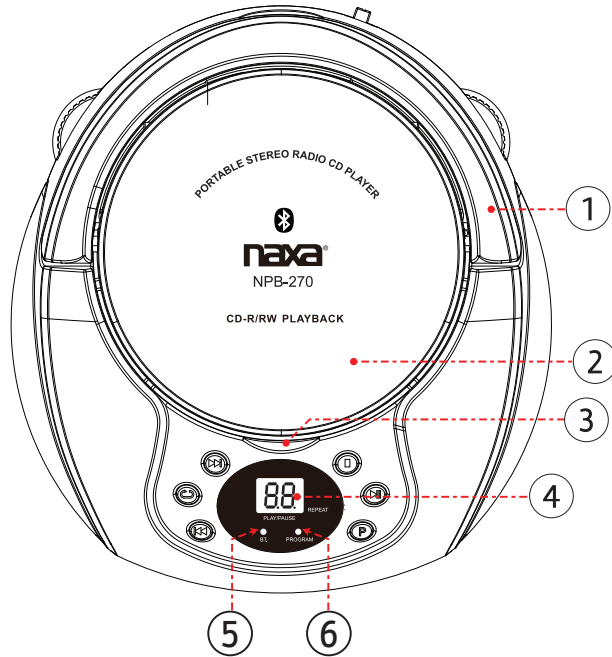
- Do not block the ventilation openings or holes.
- Avoid installing the unit in locations described below:
  - Places exposed to direct sunlight or close to heat radiating appliances (such as electric heaters, or on top of other stereo equipment that radiate heat).
  - Places lacking ventilation or dusty places.
  - Places subject to constant vibration.
  - Places that are humid or moist.
- Operate turning controls and switches as instructed in manual.
- Before turning on the power for the first time, make sure that the power cord is properly installed.
- Store your tapes or CD in a cool area to avoid damage from heat.

**CAUTION: TO REDUCE THE RISK OF ELECTRIC SHOCK, DO NOT REMOVE COVER (OR BACK). NO USER SERVICEABLE PARTS INSIDE, REFER SERVICING TO QUALIFIED SERVICE PERSONNEL.**

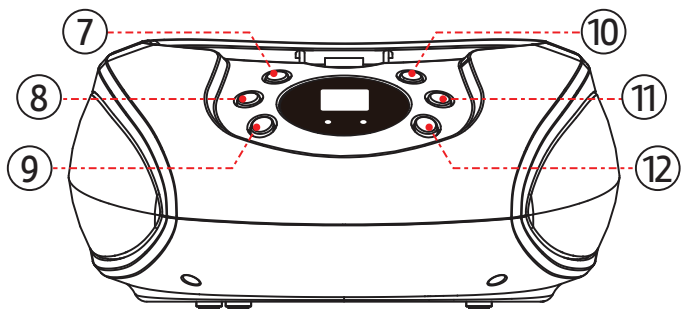
**WARNING:** Remove batteries if exhausted or if they will not be used again for a long period. The incorrect use of batteries can cause electrolyte leakage and will corrode the compartment or cause the batteries to burst, therefore:

- Do not mix battery types, e.g. alkaline with zinc carbonate.
- When inserting new batteries, replace all batteries at the same time.

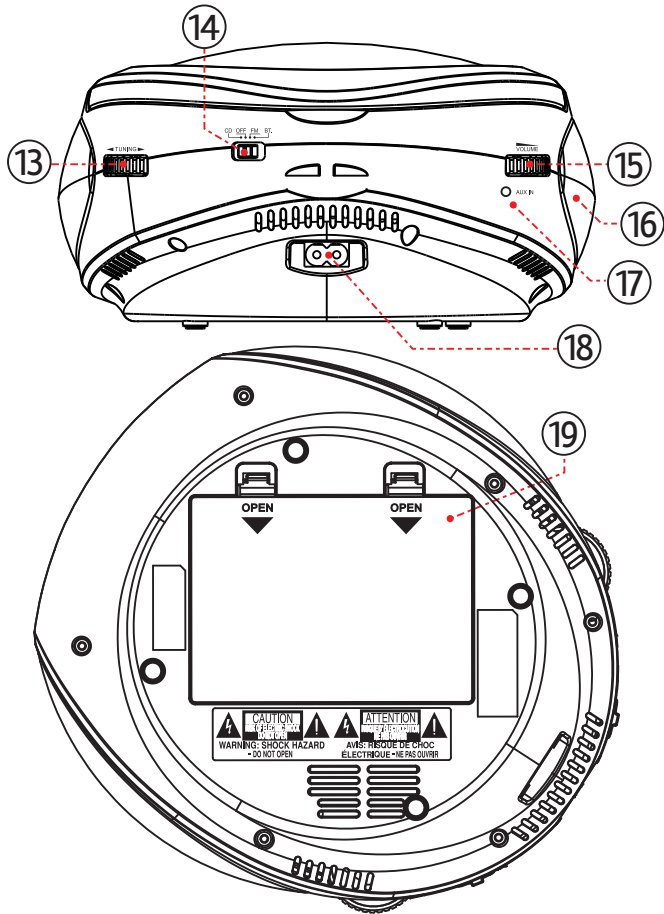
# At a Glance



1	Handle	Raise the handle to transport the unit safely and easily.
2	CD compartment	Load compact discs here. The label side should face up.
3	CD door latch	Lift here to open the door of the CD compartment [2]. <b>Never open the compartment while a CD is playing or spinning!</b>
4	LED screen	Displays player status information.
5	BT indicator	Bluetooth indicator flashes when the unit is ready to pair and lights steady when it is connected to a Bluetooth® enabled device.
6	Program indicator	Lights up to signal Program mode status.



7	<p>▶▶ key (Next/Forward)</p>	<p>Next: Press to skip to the next track. Forward: Press and hold to scan quickly forward through the current track.</p>
8	<p>REPEAT key</p>	<p>Repeat: Press to change the repeat playback mode.</p>
9	<p>◀◀ key (Previous/ Reverse)</p>	<p>Previous: Press to skip to the previous track. Reverse: Press and hold to scan quickly in reverse through the current track.</p>
10	<p>■ key</p>	<p>Press to stop playback.</p>
11	<p>▶   key</p>	<p>Play/Pause: Press to start, pause, or resume playback.</p>
12	<p>P key</p>	<p>Program: Press to enter Program mode to create a custom playlist.</p>



13	Radio Tuning dial	Turn the dial to tune to a radio station. The frequency scale is printed on the dial.
14	FUNCTION switch	Set the switch to the position of the desired function mode (CD, OFF, FM, BT). Set the switch to OFF to turn the player off.
15	Volume dial	Turn the dial to adjust the volume level.
16	Speakers	Full-range drivers deliver powerful stereo sound.
17	AUX Input jack	Play audio from a device that is connected to this 3.5mm input jack.
18	AC power socket	Connection for the included AC power cable.
19	Battery compartment	Load 6 UM-2 "C" size batteries into the compartment for portable power.

---

---

# Connect Power

The unit can be powered by AC household power, or by batteries.

## AC Power

This unit operates on AC 120 V ~60 Hz power.

With the included AC power cable, connect the AC power socket [18] found on the rear of the unit to a wall power outlet that provides AC 120V ~60Hz power.



*Do not attempt to operate the radio on any other power source. You could cause damage to the unit and void your warranty.*

*Please be sure the power outlet you plug this unit into is working and receives constant (unswitched) power.*

*Contact your local power utility if you are not sure which type of power you have.*

## Battery Power

Install 6 UM-2 “C” size batteries to enjoy music wherever you are.

1. Remove the lid of the battery compartment [19] found on the bottom of the main unit.
2. Load six “C” size batteries, taking care to match the polarities marked on the inside of the compartment (+, -).
3. Replace the lid of the battery compartment [19].



*Remove the batteries if they are exhausted or will not be used for a long time.*

*Batteries contain chemicals that may be regulated by your local government. Dispose of them properly according to regulations.*



---

---

# Basic Functions

## Turning the Unit On and Off

To turn the unit on, set the FUNCTION switch [14] to one of the function positions (e.g., CD, FM, BT). The LED screen [4] will light up.

To turn the unit off, set the FUNCTION switch [14] to the OFF position.

## Adjusting the Volume

Turn the VOLUME dial [15] to increase or decrease the volume level.

---

---

# Using the FM Radio

Set the FUNCTION switch [14] to the FM position to start using the radio.

1. Turn the Radio Tuning dial [13] to tune to a radio station; the current station can be seen on the frequency scale printed on the dial.
2. Optimize radio reception:
  - The FM antenna is built into the player. Adjust the orientation and position of the player itself to optimize FM radio reception.

---

# Using the CD Player

Set the FUNCTION switch [14] to the CD position to start using the CD player.

## About Compact Discs

This player is compatible with all digital audio CDs, digital audio CD-Recordable discs (CD-R) and CD-Re-writable discs (CD-RW) that have been finalized, and CD-DA format digital audio CDs.



*Only handle a CD by its edge. Avoid touching the label or the playable side with your hands or any other object.*

## Loading a Disc

1. Open the CD compartment [2]. Lift up from the CD door latch [3] found towards the front of the player.
2. Load a compatible disc. Place the CD into the compartment with its label facing up.

3. Close the CD compartment [2]. Lower the door; the spring hinge will help close the compartment securely.
4. The player will attempt to read the disc once the compartment is closed.
  - The LED screen [4] will show the amount of playable tracks on the disc.



*To ensure good system performance, wait until the player recognizes and reads the disc before proceeding.*

## Playing a Disc

With a compatible disc in the CD compartment [2]:

- Press the ►|| key [11] to start playback.
  - Play will start from track 1 and the Play indicator will light on the LED display [4].
- To pause playback, press the ►|| key [11] while a disc is playing.

- The LED screen [4] will flash the track number.
- Press the ►|| key [11] again to resume playback.
- To stop playback, press the ■ key [10].
- To select a track to play:
  - Press the ►|| key [7] to skip to the next track. The LED screen [4] will change tracks accordingly.
  - Press the ◀◀ key [9] to skip back to the previous track. The LED screen [4] will change tracks accordingly.
- To scan through a track at high speed:
  - Press and hold the ►|| key [7] during playback. Play will advance quickly through the current track; release the key to resume playback at normal speed.
  - Press and hold the ◀◀ key [9] during playback. Play will reverse quickly through the current track; release the key to resume playback at normal speed.

## Repeat Playback

You can change the order in which the tracks of a CD are played by pressing the REPEAT key [8]. To cancel these special playback modes, press the REPEAT key [8] until the Repeat indicator disappears from the LED screen [4].

- To repeat a single track, press the REPEAT key [8] until the Repeat indicator flashes on the LED screen [4]. The current track will replay repeatedly until play is stopped.
- To repeat all of the tracks, press the REPEAT key [8] until the Repeat indicator lights steadily on the LED screen [4]. The player will replay all tracks continuously until play is stopped.

## Programming a Playlist

When the CD is stopped, you can select up to 20 CD tracks to play in any order that you choose.

1. Press the ■ key [10] to make sure that playback has stopped.

2. Press the P key [12]. The LED screen [4] will flash “01” and the Program indicator [6] will flash.
3. Use the ►► or ◀◀ keys [7, 9] to choose a track to enter into the playlist.
4. Press the P key [12] to save the track into the playlist. The LED screen [4] will then flash the next playlist track number (e.g., “02”).
5. Repeat steps 3 and 4 until your playlist is complete. You can save up to 20 tracks.
  - When the last track is entered, the unit will display for review the number of each track in the playlist. When the review is over, the Program indicator and “01” will flash on the LED display [4].
6. Press the ►► key [11]. Play will start from the first track in the playlist and the Program indicator [6] will flash. Play will stop once all of the programmed tracks have been played.
7. Press the ■ key [10] to stop the programmed playlist, then press the ■ key [10] a second time to clear the playlist from Program memory.




*Opening the CD compartment [2] will clear the playlist from Program memory.*

*If you want to edit the existing playlist:  
1) Press the ■ key [10] once to stop playback; 2) Press the P key [12] to enter program mode; 3) The player will review and display on the LED screen [4] all of the existing tracks of the playlist in order; 4) When the LED screen [4] will flashes “01,” use the ►► or ◀◀ keys [7, 9] to select the program number that you want to edit, then press the P key [12]; Use the ►► or ◀◀ keys [7, 9] to select the track you want to save, then press the P key [12].*

---

# Using the AUX Input

Set the FUNCTION switch [14] to the CD, FM, or BT position to play devices connected to the AUX Input jack [17].

 *The unit will switch to AUX mode automatically when a player is connected to its AUX input jack [17].*

1. Connect the audio source to the player. Use an optional audio patch cable (not included) to connect the 3.5mm headphone or line-out jack of the audio source to the 3.5mm AUX Input jack [17] found on the rear of the player.
2. Prepare the player. Set the FUNCTION switch [14] to any position other than “OFF”. Turn the VOLUME dial [15] to lower the volume level.
3. Prepare the audio source. Start playback on the device. Set the volume level of the device to approximately 80% of its maximum.
4. Adjust the final volume. Turn the VOLUME dial [15] of the player to set the volume to a comfortable level.



*Use the audio source to control playback (e.g., stop, play, next). Use the player to control the volume.*

*Remember to disconnect the audio patch cable from the AUX input jack [17] after use in order to be able to listen to the radio or CD player again.*

---

# Streaming Music with Bluetooth®

Stream audio wirelessly from players that are equipped with Bluetooth technology. Set the FUNCTION switch [14] to “BT” and the BT indicator [5] will flash.



*Wireless players with Bluetooth may include laptops, tablets, smartphones, and more. Make sure that your player has its Bluetooth radio enabled and that it is set to be discoverable.*

## Connecting a Device for the First Time (Pairing)

Before using a wireless device with Bluetooth, you will need to establish a connection between it and the Boombox. This process is called “pairing” and you will only have to do it once. Once two devices are paired, they will automatically connect when they detect each other.

1. When you first set the FUNCTION switch [14] to “BT” and it does not detect a paired device, the unit

will switch to “Pair” mode and the BT indicator [5] will flash.

2. While the BT indicator [5] is flashing, activate your wireless device and go to its Bluetooth settings menu.
3. Have your wireless device “search for devices”. Select the boombox (NPB-270) when it is found.
4. When pairing is complete, the BT indicator [5] will light steadily. This indicates that a wireless device is connected to the boombox.

The boombox will automatically connect to your wireless device next time as long as it has Bluetooth enabled, is within range, and is set to be visible to paired devices.



*There are many different Bluetooth enabled devices out there; we cannot provide instructions for all of them. Please refer to your device manufacturer’s instructions or website to learn more about connecting with Bluetooth.*





*The Bluetooth® word mark and logos are registered trademarks owned by Bluetooth SIG, Inc. and any use of such marks by Naxa Electronics is under license.*

## Playing Connected Devices

Control playback from your wireless device. The volume level may be controlled by the wireless device or by turning the VOLUME dial [15].

Basic playback (such as play/pause, next, previous) may also be controlled by the boombox if your wireless device supports it.

# Warnings and Precautions


	<b>CAUTION</b> WARNING: SHOCK HAZARD. DO NOT OPEN. AVIS: RISQUE DE CHOC ELECTRIQUE. NE PAS OUVRIR	
<b>CAUTION:</b> TO REDUCE THE RISK OF FIRE AND ELECTRIC SHOCK, DO NOT REMOVE THE COVER (OR BACK) OF THE UNIT. REFER SERVICING ONLY TO QUALIFIED SERVICE PERSONNEL.		



The lightning flash with arrowhead symbol within an equilateral triangle is intended to alert the user to the presence of uninsulated “dangerous voltage” within the product’s enclosure that may be of significant magnitude to constitute risk of electric shock



The exclamation point within an equilateral triangle is intended to alert the user to the presence of important operation and servicing instructions in the literature accompanying the appliance.

<b>CLASS 1 LASER PRODUCT</b> CLASS 1 LASER PRODUCT APPAREIL LASER DE CLASSE 1 PRODUCTO LASER DE CLASE 1	<b>CAUTION</b> INVISIBLE LASER RADIATION WHEN OPEN AND INTERLOCKS DEFEATED. AVOID EXPOSURE TO BEAM	
<b>This product contains a low power laser device.</b>		

## On Protection Against Laser Energy Exposure

- As the laser beam used in this product is harmful to the eyes, do not attempt to disassemble the casing.
- Stop operation immediately if any liquid or solid object should fall into the cabinet.
- Do not put anything in the safety slot. If you do, the laser diode will be ON when the disc compartment door is still open.
- If the unit is not to be used for a long period of time, make sure that all power sources are disconnected from the unit. Remove all batteries from the battery compartment, and unplug the AC-DC adapter from the wall outlet. Make it a practice to remove the AC-DC adapter by grasping the main body and not by pulling the cord.
- This unit employs a laser. The use of controls or adjustment or performance of procedures other than those specified here may result in exposure to hazardous radiation.

## CAUTION

- Do not block the ventilation openings or holes.
- Do not place any naked flames (such as lighted candles) on the apparatus.
- When discarding batteries, follow all local rules and laws governing the disposal of batteries. Consider the environmental impact of your actions!
- Invisible laser radiation when open and interlock has failed or been defeated. Avoid direct exposure to beam.
- To prevent fire or shock hazard, do not expose this appliance to rain or moisture.



## Important Safety Information

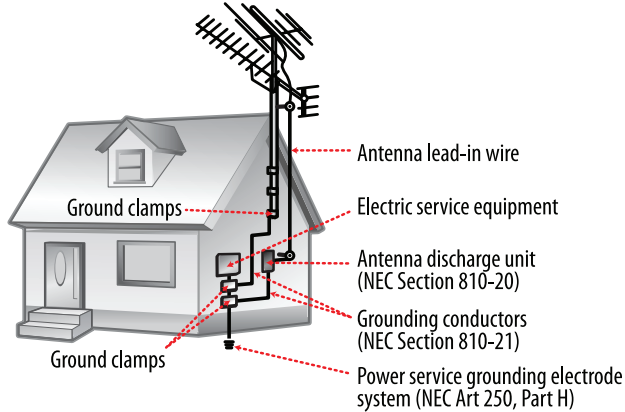
1. **Read Instructions:** All the safety and operating instructions should be read before the product is operated.
2. **Retain Instructions:** The safety and operating instruction should be retained for future reference.
3. **Heed Warnings:** All warnings on the product and in the operating instructions should be adhered to.
4. **Follow Instructions:** All operating and usage instructions should be followed.
5. **Cleaning:** Unplug this product from the wall outlet before cleaning. Do not use liquid cleaners or aerosol cleaners. Use a damp cloth for cleaning.
6. **Attachments:** Use only attachments recommended by the manufacturer. Use of other attachments may be hazardous.
7. **Water and Moisture:** Do not use this product near water (e.g., near a bathtub, washbowl, kitchen sink, laundry tub, in wet basements, or near a swimming pool and the like).
8. **Accessories:** Do not place this product on an unstable cart, stand, tripod, bracket, or table. Use only with carts, stands, tripods, brackets, or tables recommended by the manufacturer or sold with the product. Any mounting of the product should follow the manufacturer's instructions and should use a mounting accessory recommended by the manufacturer. A product and cart combination should be moved with care. Quick stops, excessive force, and uneven surfaces may cause the product and cart combination to overturn.
9. **Ventilation:** Slots and openings in the cabinet are provided for ventilation to ensure reliable operation of the product and to protect it from overheating. These openings should never be blocked by placing



the product on a bed, sofa, rug, or other similar surface. This product should not be placed in a built-in installation such as a bookcase or rack unless proper ventilation is provided or the manufacturer instructions have been adhered to.

10. **Power Sources:** This product should be operated only from the type of power source indicated on the rating label. If you are not sure of the type of power supply to your home, consult your product dealer or local power company. For products intended to operate from battery power or other sources, refer to the operating instructions.
11. **Grounding or Polarization:** This product may be equipped with a polarized alternating-current line plug that has one blade wider than the other. This plug will only fit into the power outlet in one direction. This is a safety feature. If you are unable to insert the plug fully into the outlet, try reversing the direction of the plug. If the plug should still fail to fit, contact an electrician to replace the obsolete outlet. Do not defeat the safety purpose of the polarized plug.
12. **Power-Cord Protection:** Power supply cords should be routed so that they are not likely to be walked on or pinched by items placed upon or against them, paying particular attention to cords at plugs, convenience receptacles, and at the point which they exit from the product.
13. **Protective Attachment Plug:** The product may be equipped with an attachment plug with overload protection. This is a safety feature. See the operating instructions for replacement or directions to reset the protective device. If replacement of the plug is required, be sure the service technician has used a replacement plug that has the same overload protection as the original plug as specified by the manufacturer.
14. **Outdoor Antenna Grounding:** If an outside antenna is connected to the product, be sure the antenna system is grounded so as to provide some protection against voltage surges and built-up static charges. Article 810 of the National Electrical Code, ANS/NFPA 70 provides information with regard to proper grounding of the mast and support-

ing structure, grounding of the lead-in wire to an antenna-discharge unit, size of grounding conductors, location of antenna-discharge unit, connection to grounding electrodes, and requirements for the grounding electrode (see figure).



15. **Lightning:** For added protection for this product, unplug it from the wall outlet and disconnect the antenna or cable system during a lightning storm or when it is left unattended and unused for long periods of time. This will prevent damage to the product due to lightning or power-line surges.
16. **Power Lines:** An outside antenna system should not be located in the vicinity of overhead power lines or other electric light or power circuits, or where it can fall into such power lines or circuits. When installing an outside antenna system, extreme care should be taken to keep from touching such power lines or circuits, as contact with them might be fatal.

17. **Overloading:** Do not overload wall outlets, extension cords, or integral convenience receptacles as this can result in a risk of fire or electric shock.
18. **Object and Liquid Entry:** Never push objects of any kind into this product through openings as they may touch dangerous voltage points or short-out parts that could result in a fire or electric shock. Never spill liquid of any kind on the product.
19. **Servicing:** Do not attempt to service this product yourself as opening or removing covers may expose you to dangerous voltage or other hazards. Refer all servicing to qualified service personnel.
20. **Damage Requiring Service:** Unplug this product from the wall outlet and refer servicing to qualified service personnel under the following conditions: a) when the power-supply or plug is damaged; b) if liquid has been spilled or if objects have fallen into the product; c) if the product has been exposed to rain or water; d) if the product does not operate normally by following the operating instructions. Adjust only those controls that are covered by the operating instructions as improper adjustment of other controls may result in damage and will often require extensive work by a qualified technician to restore the product to its normal operation; e) if the product has been dropped or damaged in any way; f) when the product exhibits a distinct change in performance—this indicates a need for service.
21. **Replacement Parts:** When replacement parts are required, be sure that your service technician has used replacement parts specified by the manufacturer or have the same characteristics as the original part. Unauthorized substitutions may result in fire, electric shock, or other hazards.
22. **Safety Check:** Upon completion of any service or repairs to this product, ask the service technician to perform safety checks to ensure that the product is in proper operating condition.

23. Wall or Ceiling Mounting: The product should be mounted to a wall or ceiling only as recommended by the manufacturer.
24. Heat: The product should be situated away from heat sources such as radiators, heat registers, stoves, or other products (including amplifiers) that produce heat.

## FCC NOTICE

This device complies with Part 15 of the FCC Rules. Operation is subject to the following two conditions: (1) this device may not cause harmful interference, and (2) this device must accept any interference received, including interference that may cause undesired operation.

Note: This equipment has been tested and found to comply with the limits for a Class B digital device, pursuant to Part 15 of the FCC Rules. These limits are designed to provide reasonable protection against harmful interference in a residential installation. This equipment generates, uses and can radiate radio frequency energy and, if not installed and used in accordance with the instructions, may cause harmful interference to radio communications. However, there is no guarantee that interference will not occur in a particular installation. If this equipment does cause harmful interference to radio or television reception, which can be determined by turning the equipment off and on, the user is encouraged to try to correct the interference by one or more of the following measures:

- Reorient or relocate the receiving antenna.
- Increase the separation between the equipment and receiver.
- Connect the equipment into an outlet on a circuit different from that to which the receiver is connected.
- Consult the dealer or an experienced radio/TV technician for help.

## CAUTION ON MODIFICATIONS

Any changes or modifications not expressly approved by the grantee of this device may void the authority granted by the FCC to operate the equipment.

## WARNING

This product contains lead, a chemical known to the State of California to cause cancer and birth defects or other reproductive harm. ***Wash hands after handling.***

## CAUTION

This product is equipped with a polarized plug (one blade is wider than the other blade) as a safety feature to reduce the risk of electrical shock. This plug will fit into a polarized outlet only one way. This is a safety feature. If you are unable to insert the plug into the electrical outlet, try reversing the plug. If the plug still does not fit, contact a qualified electrician. Never use the plug with an extension cord unless the plug can be fully inserted into the extension cord. Do not alter the plug. Do not attempt to defeat the safety purpose of the polarized plug.

## NEC NATIONAL ELECTRICAL CODE

Do not apply oil or petroleum products to this product.

GRAPHIC SYMBOLS WITH SUPPLEMENTARY MARKINGS ARE LOCATED ON THE BOTTOM OF THE UNIT. USE OF ANY CONTROLS OR ADJUSTMENTS OR PERFORMANCE OF PROCEDURES OTHER THAN THOSE HEREIN SPECIFIED MAY RESULT IN HAZARDOUS RADIATION EXPOSURE.

---

---

# Specifications

Power requirements	AC 120 V ~60 Hz DC 9 V (6 x UM-2 “C” batteries)
Power (operating)	12 W
Power (standby)	1 W
Media Support	CD, CD-R/RW
Media Formats	CD-audio
Wireless Source	Bluetooth® version 3.0
Receiving Bands	FM
Tuning Range	FM 87.5 – 108 MHz
Input	3.5mm AUX audio

Note: Product are improved continuously. We reserve the right to modify the product and specifications without prior notice.

---

---

# Support

If you have problems with your device, please consult the instructions in this manual. Please also visit us on the web at [www.naxa.com](http://www.naxa.com) to get up to the minute news, alerts, and documentation for your device. For additional assistance, please contact Naxa Technical Support.

## **NAXA Technical Support**

2320 East 49th St.  
Vernon, CA 90058

[http://www.naxa.com/naxa\\_support/](http://www.naxa.com/naxa_support/)



