

Instructions and Safety Manual



Read and follow all safety warnings and instructions in this manual.

Retain instructions and safety manual for future reference.

Armex Whizzkids Chameleon & Korrigan Recurve Bow User's Guide MAINTENANCE & CARE INSTRUCTIONS

This youth bow is engineered for accuracy and long life in addition to its contemporary design, manufactured from the finest materials and innovative technology. You will experience lots of enjoyment from this new bow. It takes little setup therefore please read this manual particularly the maintenance and care section before attempting to use this bow.

Have fun and we wish you much success in becoming a master archer!

Safety rules and warnings

1. This bow is NOT a toy. Adult supervision is recommended.
2. NEVER "Dry Fire" (without an arrow) your bow!
3. Dry-firing a bow severely weakens its' life expectancy and may cause immediate damage to the bow resulting in severe wounding to yourself or others. Do not pull back and release the string without an arrow attached to the string.
3. Shooting underweight arrows has the same effect as dry-firing a bow and may cause serious injury, never use underweight arrows. Do not point a drawn bow at anything other than a recommended archery target.
4. Inspect your arrows, bows and nocks regularly. Damaged bows, arrows and nocks may cause serious injury. Any dented, split, or splintered arrows should be discarded immediately.
5. Carefully inspect your bow after each use. Be sure that all parts are secured and accessories are tight. Inspect your string and cables for wear or damage.
6. Do not draw your bow beyond its maximum draw length to avoid damage.
7. Make sure the accessories are properly installed before shooting.

BOW MODELS:



It is important to inspect your bow regularly. With proper care and regular maintenance, your bow will be kept in good condition.

Lubrication

If your bow is cable type, no lubrication is necessary. If your bow is string type, please apply recommended lubrication regularly on the string. Avoid excessive lubrication of any item, as this can attract dirt.

Cleaning

Do not use solvents such as acetone or mineral spirits as they may ruin the finish. Simply use a damp soft cotton cloth to wipe off the dirt and moisture.

Storage and Transportation

Avoid exposing your bow to extreme heat or store your bow close to wet or damp places. Excessive heat may damage your bow.

Do not leave your bow unprotected in your vehicle on a hot sunny day or store in a hot attic or other hot enclosed area.

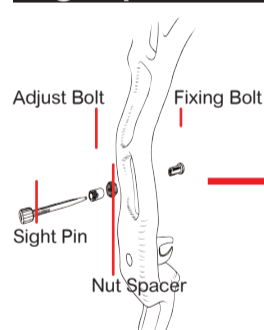
Clean your bow thoroughly after each use. Lightly use recommended lubricant wax spreading over all steel parts (axles, mounting screws) to prevent rust.

SETTING UP YOUR BOW

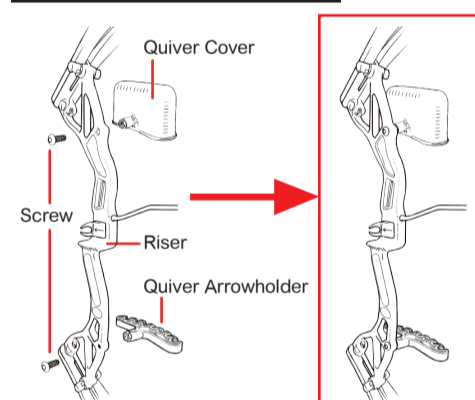
Sight Set Installation

If your bow set comes with a sight package, install the sight pin and locking nuts into the sight mounting bracket as shown below and then install the sight mounting bracket to the bow.

Sight pin Installation



Quiver Installation



Sight Adjustment

When adjusting the sight pin position, always remember to "follow the group" meaning if the shot group is to the left of the target, move the sight pin to the left. If shot group is low, move the sight pin down.

BOW ADJUSTMENTS



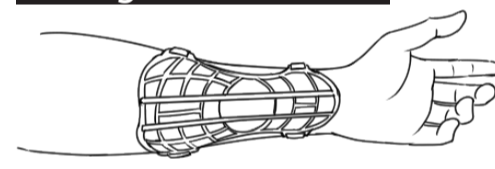
Quiver Set Installation

If your bow set comes with a two-piece quiver, install the two-piece quiver to the bow riser using the provided wrench kits and screws as shown above.

Shooting Preparation

Put the armguard on the arm with which you hold the bow. The armguard should cover the inside of your lower arm area to protect it from being struck by the string when it is released.

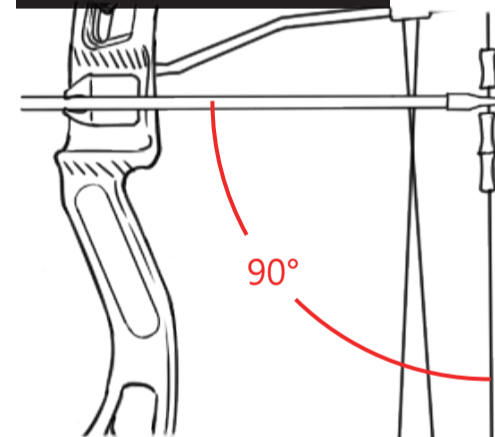
Armguard Position



Nocking the arrow

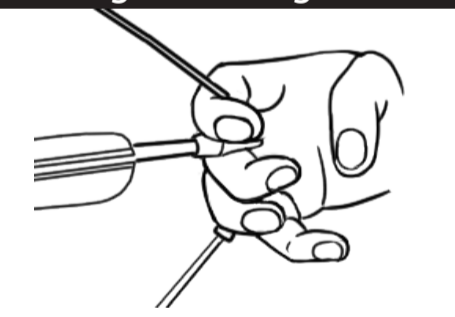
Before each shot, check all arrow components include nock, insert and tip. Make sure there are no cracks or dents on the shaft or loose nock. With a bow in the relaxed position, snap the arrow nock onto the string in between the finger rollers and keep your arrow shaft aligned with the center of the arrow rest and string.

Arrow Placement



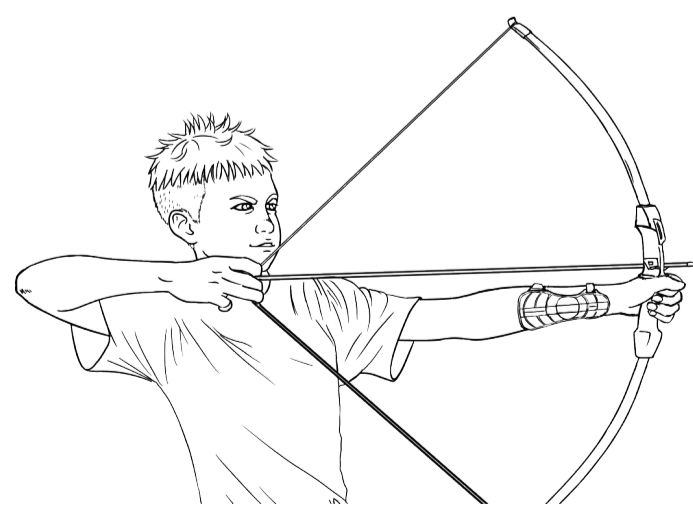
Place your Index finger on the upper finger roller above the nock point and Middle and Ring fingers at the bottom rollers under the arrow as pictured.

Holding The String & Arrow



Ready to Shoot

Draw the bow string back to your jaw, anchor your first finger at the corner of your mouth. Keep your arm slightly bent, and keep your bow vertical, aim at your target and then release the bow string. Never release your string without an arrow nocked.



Targets and Safety

- Be sure of your target (recommended).
- Never aim at anything you don't intend to shoot.
- Never point or aim a drawn bow at another person.
- Never draw or shoot when anyone is near or between you and your target.
- Never shoot at a target or object unless you are sure that it can stop your arrows. Make sure the area behind and around your target is clear.
- Before shooting, be sure that no part of the bow will strike any tree branches or other obstacles.
- Never shoot arrows straight up in the air or in any direction where you might destroy property or endanger life.

WARRANTY POLICY

This product is backed with a limited warranty service.

Original Owner

This warranty applies to the original owner only and it is not transferable. Presenting the purchase receipt to your supplier may be required.

Exclusions

Strings, cables, bearings, paint and /or hydrographic film transferred finishes as well as Bow accessories are excluded.

Damages caused by the following reasons will not be covered under this warranty: abuse, mishandling, dry firing, alteration or modification to original product. Using a bow press improperly without consulting with a pro-shop or your dealer will not be covered under this warranty. Shooting arrows less than five grains per pound of draw weight will void the warranty. Damages caused by using altered or damaged arrows, or by using none recommended accessories and other aftermarket parts are also excluded.

For full warranty details, please contact your local dealer or supplier for further information.