

P200 FlexJet

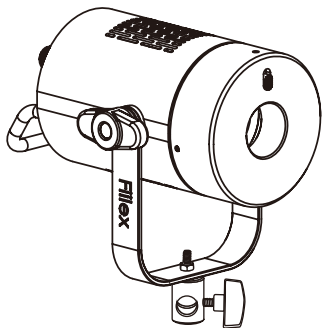
User Manual

Table of Contents

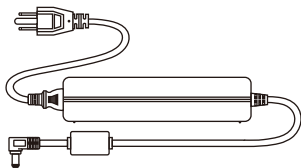
What's In The Box	1
Getting To Know The Light	2
Set Up And Basic Operation	4
Specifications	6
For Your Safety	7
Warranty	8

What's In The Box

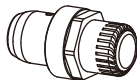
- P200 FlexJet



- Power Supply

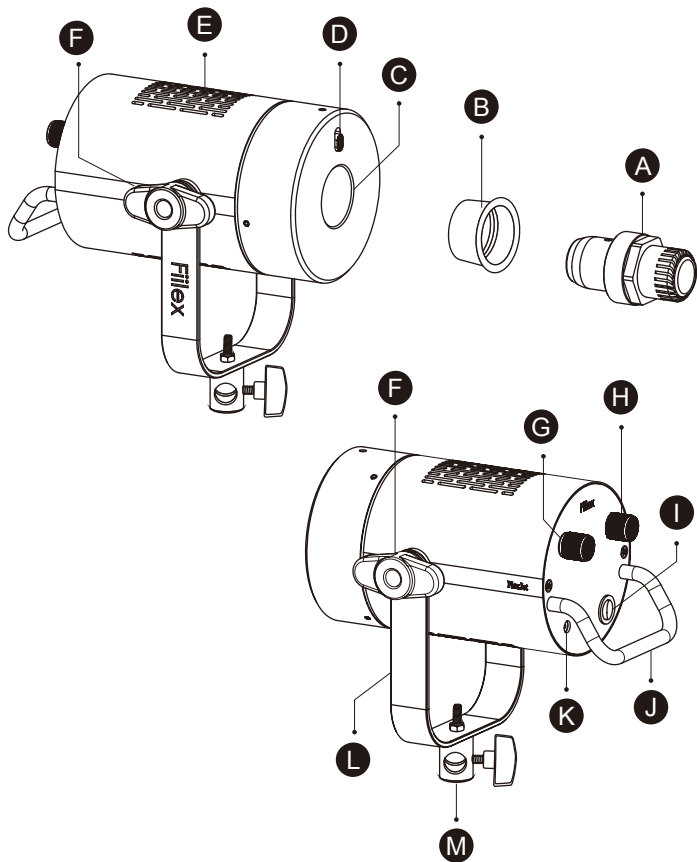


- Fiber Adapter



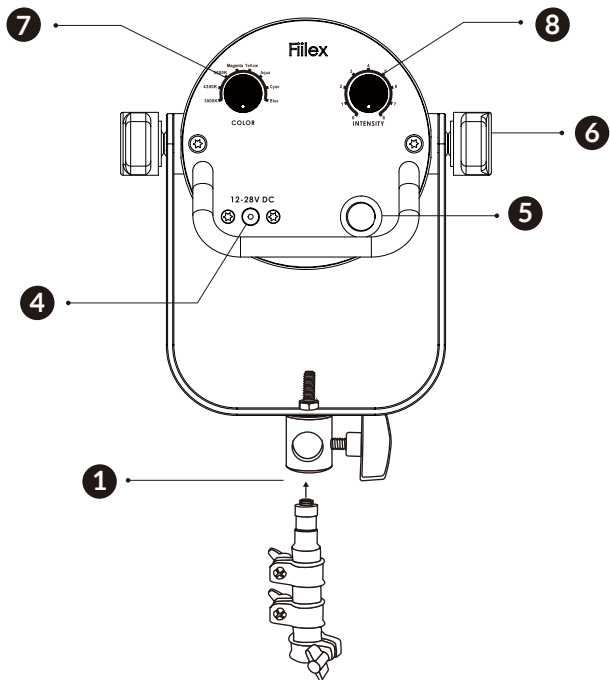
- User Manual

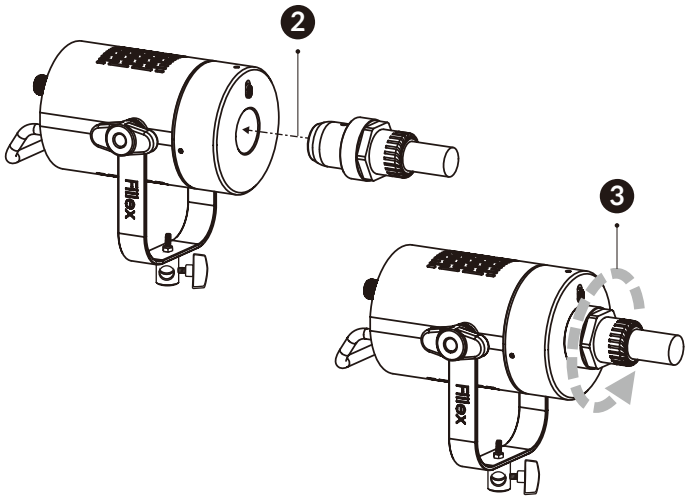
Getting To Know The Light



- A Fiber Adapter
- B Protective Cap
- C LED Source/ Fiber Mounting Hole
- D Release Button for Fiber Adaptor
- E Air Vents
- F Yoke Knob
- G Color Selection Knob
- H Intensity Knob
- I On/ Off Switch
- J Hand Holder
- K DC Power Input Jack
- L Yoke
- M Light Stand Adapter

Set Up And Basic Operation





- 1 Mount Light Stand Adapter (M) to spigot on light stand or tripod.
- 2 Insert Fiber into Fiber Mounting Hole (C).
- 3 Slightly rotate until clicking into place.
- 4 Insert the DC power plug into P200 FlexJet DC Power Input Jack (K).
- 5 Press On/Off Switch (I) to turn on P200 FlexJet.
- 6 Tighten Yoke Knob (F) to lock the P200 FlexJet in place.
- 7 Use the Color Selection Knob (G) to set the P200 FlexJet to a desired color.
- 8 Adjust the Intensity with Intensity Knob (H).

* Note : Fiber is sold separately

Specifications

Size	4" (Diameter) x 7.8" (Length)
Weight (Includes Yoke)	2.8 lb / 1.29 kg
LED	Dense Matrix LED
Thermal Design	Advanced Vapor Cooling System
Color Selections	3000K White/4300K White/5600K White Magenta/Yellow/Aqua/Cyan/Blue
CRI (for Whites)	>90
Power Consumption	60W Max.
Input	12 to 28 V DC
AC Adaptor	100-240V AC, 50/60Hz (In) / 24V DC, 90W max. (Out)
Operating Temperature	0 to 40 °C

For Your Safety

- Do not attempt to disassemble the body of P200 FlexJet.
- Do not install P200 FlexJet in a damp or wet area.
- Do not cover the side and back air vents.
- Use only the included power supply.
Failure to do so may cause damage to the LED light.
- Use only a soft, dry towel to gently clean the exterior of the light.
- Before turning on the power, please make sure the Protective Cap (B) and protective membranes are removed.

2 Year Limited Warranty

Unless otherwise stated, your product is covered by a two year parts and labor limited warranty. Fiilex guarantees, to the original buyer, all of its products to be free from defects in both workmanship and material for a period of two years from the date of purchase. This warranty extends to all products which have proved defective through normal use but excludes products that have been disassembled, modified or misused by the buyer or any other person. This warranty is in lieu of all other warranties, and disclaims all warranties expressed or implied, including any warranty of merchantability, fitness for a particular purpose, or arising from the course of dealing between the parties or usage of trade.

Returning an Item Under Warranty for Repair

It is necessary to obtain a Return Authorization Number (RA#) from your dealer/ point of purchase BEFORE any units are returned for repair. Fiilex will make the final determination as to whether or not the unit is covered by warranty. Fiilex will replace or repair to proper working condition any products that are returned under warranty. Products repaired or replaced under warranty are under warranty only for the remaining unexpired period of time of the original warranty.

Any Product unit or part returned to Fiilex must be packaged in a suitable manner to ensure the protection of such Product unit or parts. The package must be clearly and prominently marked to indicate that the package contains returned Product units or parts with a Return Authorization (RA#) number. All returned Product units or parts must be accompanied by a written explanation of the alleged problem or malfunction.

Fiilex.com
1689 Regatta Blvd, Richmond, CA 9480
(510)620-5154. fiilex@fiilex.com



Information and Specifications in this document are subject to change without notice. DiCon Lighting, Inc. assumes no responsibility or liability for any error or inaccuracies that may appear in this manual. Unlawful reproduction or distribution in any manner without the written permission of DiCon Lighting, is strictly prohibited.

Fiilex™



Fiilex.com
