

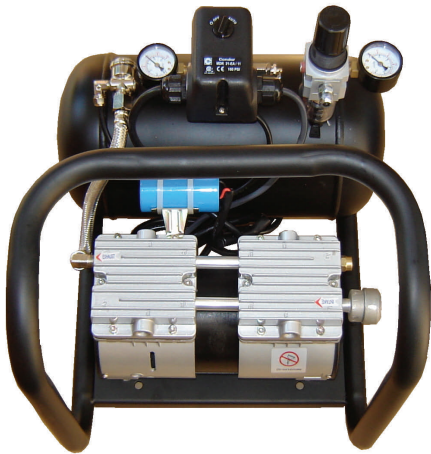
SILENTAIRE *Technology*

AMP Oil Free Manual

AMP 50-8-TC

AMP 50-6-D

AMP 50-24



General User and Maintenance Instructions

Silentaire Technology

8614 Veterans Memorial Dr. • Houston, TX 77088

800-972-7668 • Fax 832-327-0669

www.silentaire.com • techsupport@silentaire.com

Thank you and congratulations on the purchase of your AMP Oil Free Compressor! Silentaire Technology is the leader in portable quiet air compressors and we are here to help you throughout the lifetime of your new air compressor.

AMP Compressors are built to the highest quality standards which produce excellent efficiency. If you use it properly and maintain it according to this manual, it will perform to your fullest satisfaction for many years to come.

Please read this manual carefully and follow the instructions, it will guarantee you trouble free operation.

A. Installation

1. After taking your Silentaire AMP Oil Free Compressor out of its packaging, please check it carefully for any damages from shipping.
2. Install the compressor on a flat surface in a suitably sized, dry room with good ventilation, where the temperature is not likely to rise above 94 Degrees Fahrenheit (35 Centigrade).
3. Dispose of the Packing Material in compliance with the regulations in the country or state where the compressor is installed.

B. Safety

1. **Do not** use the Silentaire AMP Oil Free Compressor for purposes other than those for which they have been designed.
2. **Do not** modify or repair the compressor while it is connected to the electric current or while the tank is still pressurized.



- The "bolt of lightning" indicates un-insulated material within your unit may cause an electrical shock. For the safety of everyone please do not remove product covering.
- The "exclamation point" calls attention to features for which you should read the enclosed literature closely to prevent operating and maintenance problems.



WARNING: TO PREVENT FIRE OR SHOCK HAZARD, DO NOT EXPOSE THIS EQUIPMENT TO RAIN OR MOISTURE.

C. Operating Instructions



Fig. 1

1. Check that the automatic OFF/AUTO-Pressure Switch (Fig. 1) is in the **OFF**-position.

2. The Silentaire AMP Oil Free Air Compressors are available in the following different models: AMP 50-8-TC, AMP 50-6-D and AMP 50-24.

All these models are available in either 110V/60Hz, 220V/60Hz or 220V/50Hz. Check to see if the outlet of your electric supply corresponds to your compressor model.

3. Connect the equipment for your application to the outgoing 1/4" male fitting on the Filter/Regulator (Fig. 1). To keep the connecting fitting from leaking air you should always apply Teflon Tape to the threads of the fitting.

4. Plug the cord into a **properly installed and grounded outlet** of electric supply **corresponding to your purchased AMP compressor** (the unit should be grounded for your own safety; in the event of a short it reduces the risk of an electric shock). If you need an extension cord for you to operate the unit, only use a **heavy duty** extension cord, no longer than 20 feet or 6.0 m (no household cord; it might cause a loss of power and damage the electrical components).



Notice: Tampering with the Power Cord or Grounding Terminal will void warranty.

5. Turn the knob on the automatic ON/OFF-Pressure Switch (Fig. 1) to the AUTO-position until it stops. The Pressure Switch has been set to automatically start and stop the compressor at the preset pressure levels. Leave it in the AUTO-position until you want to turn off your compressor.



Note: Never remove or repair the ON/OFF-switch while the compressor is connected to the electric outlet!



Fig. 2

6. After the compressor has run for a complete cycle to pressurize the tank and then shut off, set the desired pressure with the **Filter/Regulator** (Fig. 2). Simply **lift the knob** up until it unlocks, then **turn it clockwise to increase the pressure**, until the Pressure Gauge on the Filter/Regulator shows the desired pressure. To reduce the pressure also lift the knob on the Filter/Regulator and **turn it counterclockwise**.

Note: Never open the Filter/Regulator completely, it would ruin your compressor in a short period of time. If you notice that your compressor pump is running more than 50% of the time, this indicates that you might have an air-leak in your system or that your compressor is too small for your application.

7. To turn off your compressor, simply turn the knob on the **Pressure Switch** (Fig. 1) to the **OFF**-position (counterclockwise). If the electrical power is interrupted while the compressor is in operation and it fails to restart after the power comes back on, turn the knob on the Pressure Switch to the OFF-position; this will release any pressure in the line and enable the compressor to restart again.

Notice: The **Safety Relief Valve** is a standard feature on your compressor. This valve opens automatically if the tank pressure goes beyond a safe level.

Do not attempt to adjust or remove this device!



D. Maintenance

Your AMP Oil Free Compressor has a few parts that need your attention for proper maintenance:

1. **Air Intake Filter:** - must be kept clean for easy airflow to the
(Fig. A) compressor

- dirty or clogged filters must be replaced or cleaned thoroughly in a detergent soap and water solution
- replacing or cleaning under normal conditions is necessary every 3 - 6 months
- **Never operate the compressor without the Air Intake Filter in place**

2. **Moisture Trap:** If you use your compressor properly, the Moisture Trap
(Fig. B) (built into the Filter/Regulator) will trap the moisture and dirt particles before releasing air into the line. Periodic checks for moisture should be done on a routine basis by looking at the clear bowl at the bottom side of the Filter/Regulator. Moisture can be removed by pressing up the valve core at the bottom of the bowl. If it should be necessary to remove the clear bowl for cleaning, you should be careful that the clear bowl doesn't contain any air under pressure at the moment you unscrew the clear bowl.

3. **Pressure Tank:** - Check the Pressure Tank **daily** for water inside
(Fig. C)
 - Unplug the compressor and release all compressed air from the tank by opening the Drain Plug.
 - Tilt the unit towards the plug to allow the water to drain
 - Air Hose and other accessories should also be drained on a regular basis

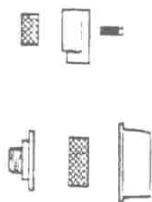


Fig. A



Fig. B

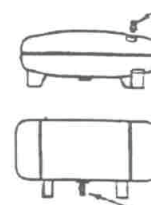


Fig. C

E. Troubleshooting

For any kind of repair or replacement **only use original spare parts!** They are available at every authorized service center. Imitation spare parts may irreparably damage your compressor. When asking for information or services always specify the Model, Type and Serial-Number of your compressor. This information is on a label on your compressor.

Symptom:	Cause:	Remedy:
Compressor will not start	-No Power -Thermal overload protector has tripped	Check outlet voltage, fuse and circuit breaker. Wait 30 minutes and try starting the compressor again, or press button from the top of the pressure switch.
Pressure drops in the tank	-Air leak at connectors	Pressurize the tank to maximum pressure, switch it off and control all the fitting and hose connectors with a soap/water solution for leaks (bubbles) and repair the leaks (tighten connections or replace seals e.g.).
Head Pressure Release Valve is leaking while the compressor is idle	-Check Valve is not sealing	Drain tank-pressure, remove the plug of the check-valve and clean the seat, if necessary replace the seal and remount all the components. (Part# AMP022)
Head Pressure Release Valve is leaking while the compressor is running	-Head Pressure Release Valve is defective	Replace Pressure Release Valve.
The compressor keeps running and the Safety Release Valve (Part# AMP020) is releasing air	-Pressure Switch is defective	Replace Pressure Switch.
The compressor does not reach the shut off pressure and overheats	-Air leaks at fitting connections or defective compressor head (gasket or valve)	Check for air leaks and repair them, If you think there might be a defect in the compressor head, contact Tech Support.
The compressor is noisy and produces a metallic sound	-Broken Rubber Mounts or defective bearing in compressor pump	Replace the Rubber Mounts. If metallic noise does not go away, contact Tech Support.

If your AMP Oil Free Compressor has a different symptom of a fault from the above troubleshooting chart-list, please contact Tech Support.

Tech Support is available Mon-Fri 8-5 Central Time

F. Limited Warranty

The warranty is for the original purchaser. We will repair or replace, without charge, any part of a compressor we find to be defective in factory material or workmanship within **one year** of purchase. Warranty services are provided at our service facility located in Houston at the address shown below. You must pay all shipping and handling charges for your compressor. Any material that is shipped to Silentaire Technology without prior approval will not be accepted.

This warranty does not cover your compressor if the Serial Number or Model Number is removed or illegible. Or, if your compressor is (a) damaged in transport, by fire, corrosion, moisture or any occurrences beyond our control, (b) subjected to negligence or misuse, or (c) operated or maintained contrary to our instructions.

We will not be liable for damage to persons or property, commercial loss or incidental or consequential damage due to a defective compressor.

All implied warranties, including warranty of merchantability or fitness, are limited to the duration of this written warranty. However, some states do not allow the exclusion or limitation of incidental or consequential damages. Therefore the above limitation may not apply to you.

If you wish to obtain warranty service or further information concerning this warranty, contact:

Silentaire Technology

8614 Veterans Memorial.

Houston, Texas 77088

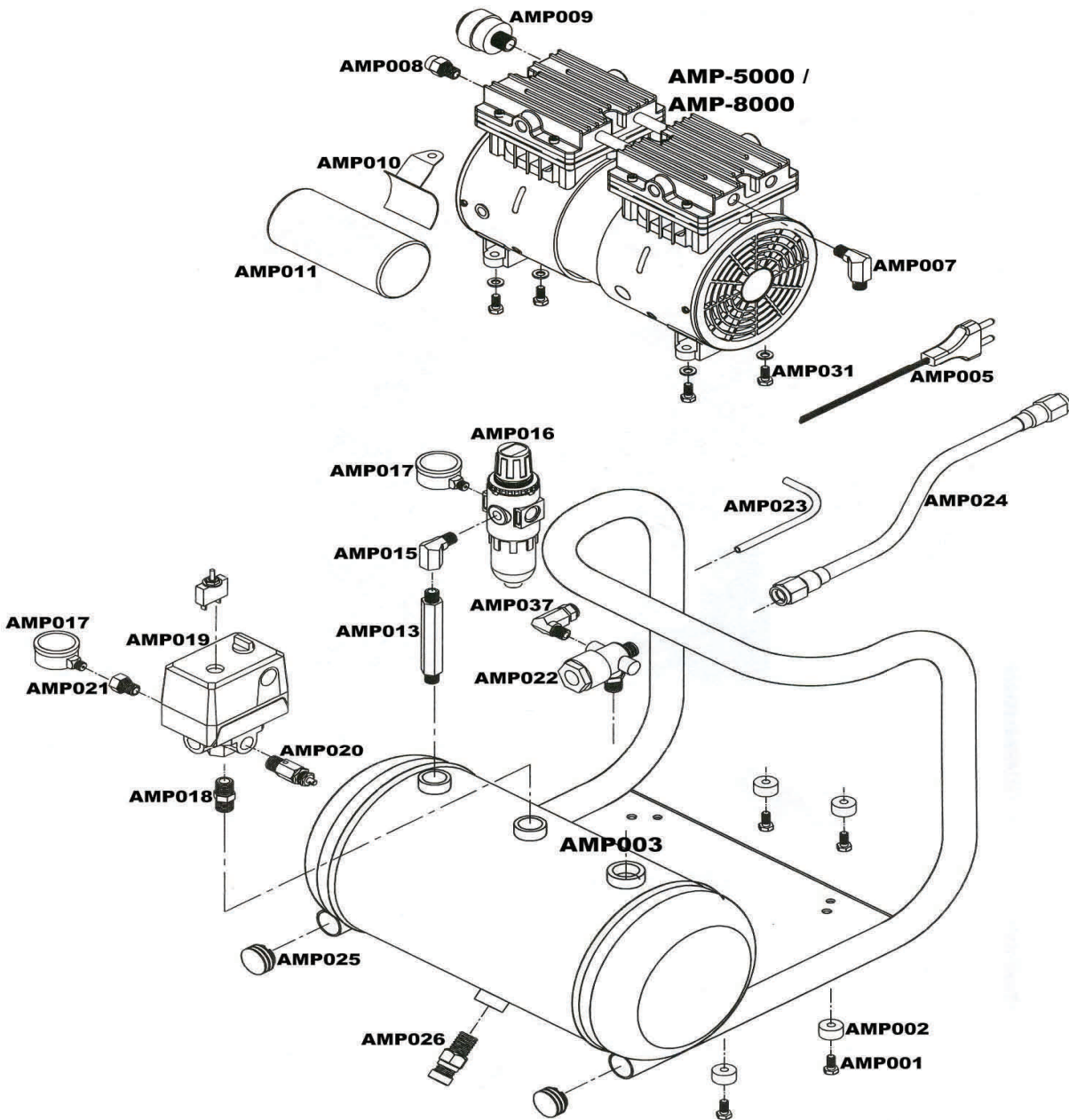
Phone: (832) 327 - 9378 FAX: (832) 327 - 0669

This warranty will be void unless the attached warranty registration card is completed and received by us within 30 days of the date of the original purchase.

SILENTAIRE

Technology

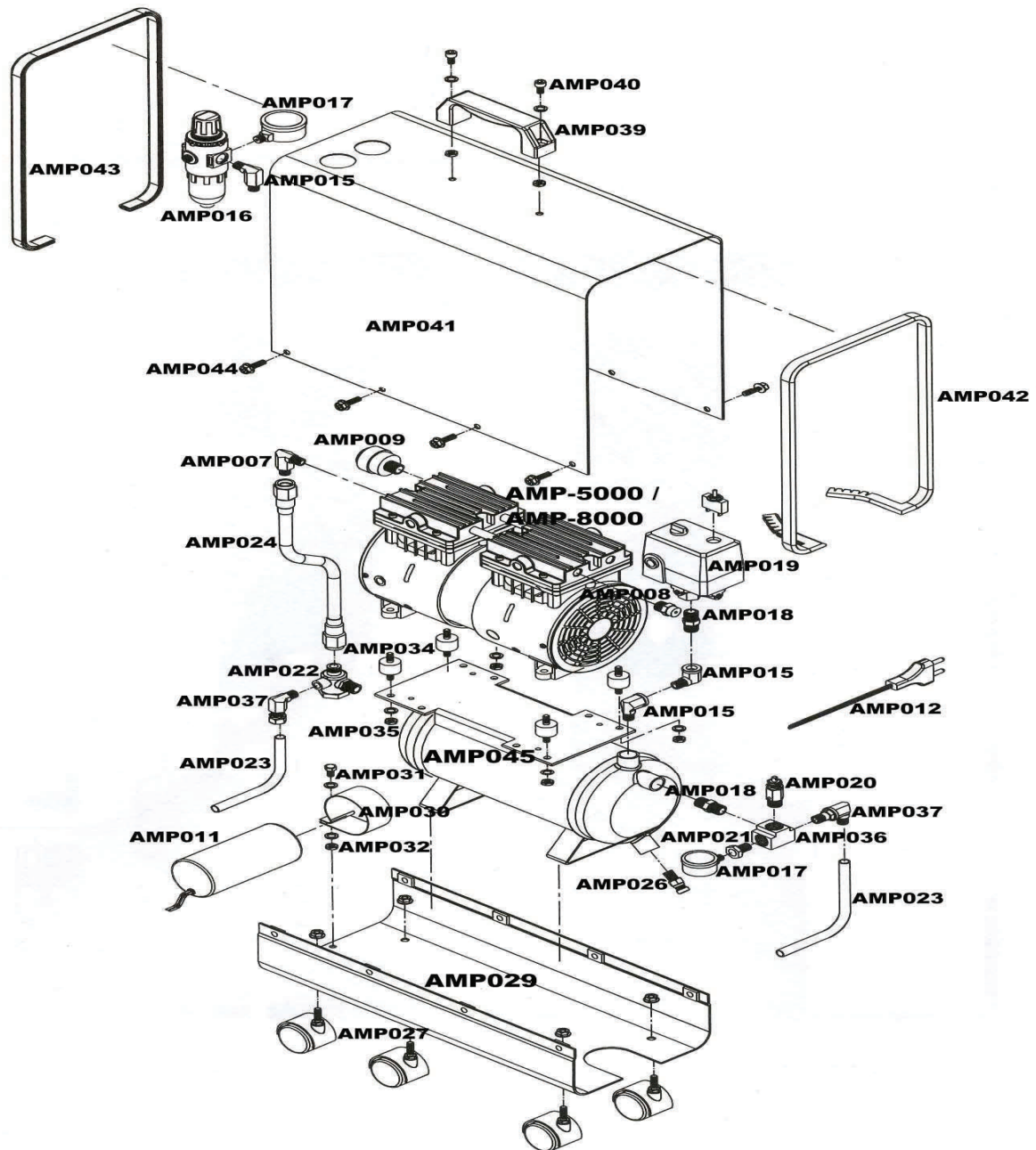
AMP 50-8-TC



SILENTAIRE

Technology

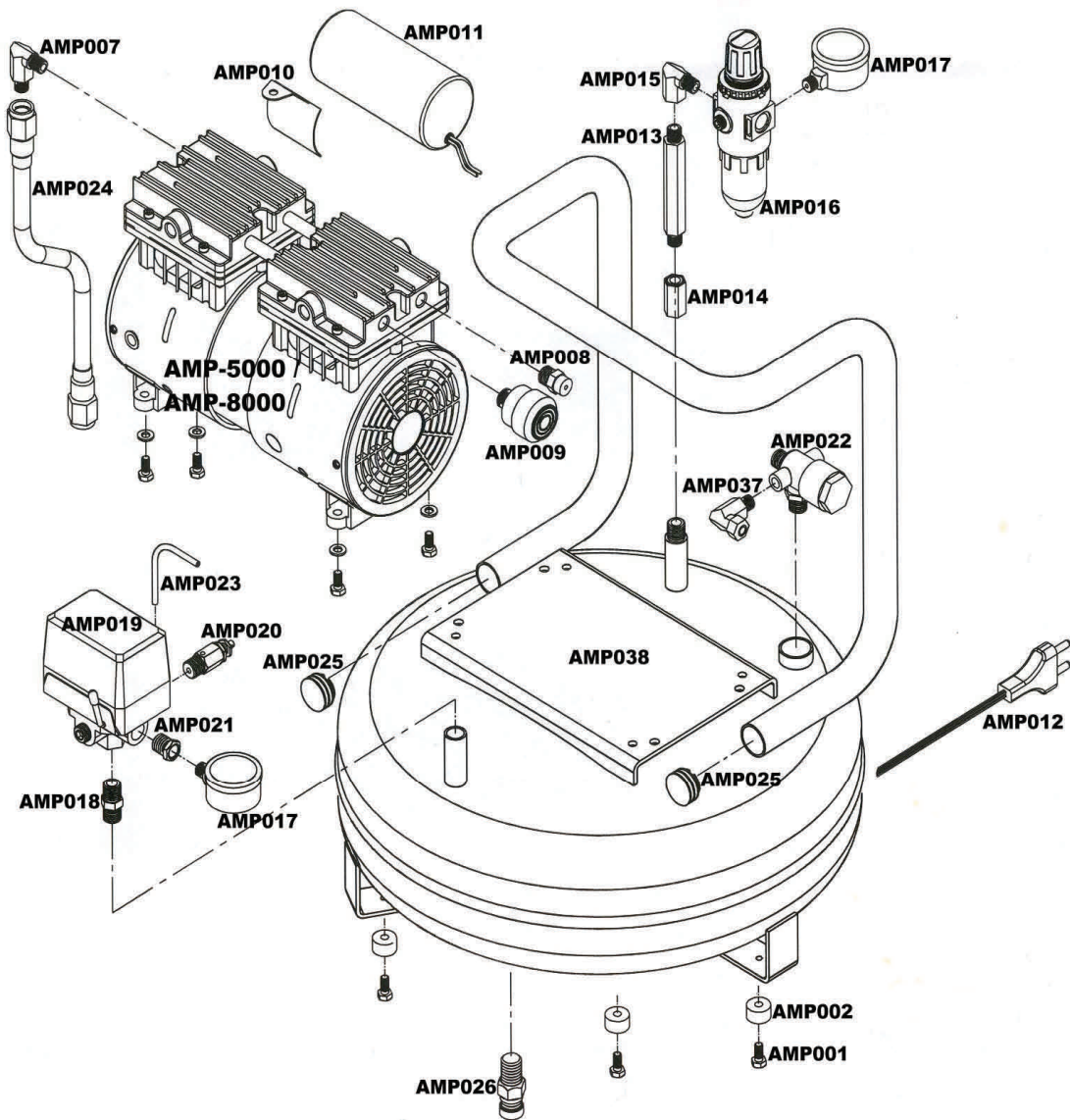
AMP 50-6-D



SILENTAIRE

Technology

AMP 50-24



SILENTAIRE Technology

AMP Oil Free Parts List

AMP001	Bolt M5x10mm
AMP002	Foot Rubber AMP-5003 + AMP-5015
AMP003	Frame AMP-5003, incl. Tank
AMP004	Tank 15 ltr.
AMP005	Cable Electric
AMP006	Bolt M6x20mm
AMP007	Fitting L M1/4"-M special
AMP008	Breeder Valve
AMP009	Air Filter AMP
AMP010	Holder for Capacitor AMP-5003 + AMP-5015
AMP011	Capacitor 50 MFD for AMP-5000 + AMP-8000
AMP012	Cable Electric for all AMP Models
AMP013	Spacer M1/4"-M1/4", 85mm long
AMP014	Spacer F1/4"-F1/4", 25mm long
AMP015	Fitting L M1/4"-F1/4"
AMP016	Filter/Regulator AMP
AMP017	Pressure Gauge AMP, side mount
AMP018	Fitting M1/4"-M1/4"
AMP019	Pressure Switch AMP
AMP020	Safety Valve AMP
AMP021	Fitting Reduction M1/4"-F1/8"
AMP022	Check Valve AMP
AMP023	Plastic Hose OD 6mm
AMP024	Air Hose AMP, F1/4"-Fspecial
AMP025	Plug

AMP026	Drain Cock AMP
AMP027	Castor
AMP028	Nut
AMP029	Frame, Base AMP-5007
AMP030	Holder for Capacitor AMP-5007 + 8007
AMP031	Bolt
AMP032	Nut
AMP033	Tank for AMP-5007
AMP034	Rubber Mount AMP-5007
AMP035	Nut
AMP036	Air Distributor, 4-ways, M-M-M-M1/4"
AMP037	Fitting L M1/8"-Quick connect D=6mm
AMP038	Tank 15 lt., AMP-5015, incl. Frame/Handle
AMP039	Handle AMP-5007 + AMP-8007
AMP040	Kit Bolt, Washer and Nut
AMP041	Housing AMP-5007
AMP042	Cover Protection, rear
AMP043	Cover Protection, front
AMP044	Bolt for Housing
AMP045	Tank AMP-5007 + AMP-8007
AMP-5000/110	Pump Compressor AMP 110V/60Hz
AMP-5000/220	Pump Compressor AMP 220V/50Hz
AMP-8000/110	Pump Compressor AMP 110V/60Hz
AMP-8000/220	Pump Compressor AMP 220V/50Hz