

OPERATOR'S MANUAL

650632-X-C

SPECIFICATIONS, SERVICE KITS, GENERAL INFORMATION, TROUBLESHOOTING

INCLUDE MANUALS: 6695X-X LOWER PUMP END (PN 97999-002) &
S-632 GENERAL INFORMATION MANUAL (PN 97999-624)

RELEASED: 11-15-96

REVISED: 6-4-10
(REV. 02)

6" AIR MOTOR
4:1 RATIO
6" STROKE

650632-X43-C

FOUR BALL PUMP SERIES

CARBON STEEL, ELECTROLESS NICKEL PLATED



**READ THIS MANUAL CAREFULLY BEFORE INSTALLING,
OPERATING OR SERVICING THIS EQUIPMENT.**

SERVICE KITS

- Use only genuine ARO® replacement parts to assure compatible pressure rating and longest service life.
- **61355 for repair of Air Motor section.**
Service Note: The Air Motor Service/Parts Manual is not shipped with the pump but it is included with each Service Kit. If this Service/Parts Information is needed, request the Air Motor Operator's Manual from ARO. (Manual 6564X-X, PN 97999-174).
- **637230-X43 for repair of Lower Pump section.**
Refer to the chart on page 2 for description of -X43 options.

SPECIFICATIONS

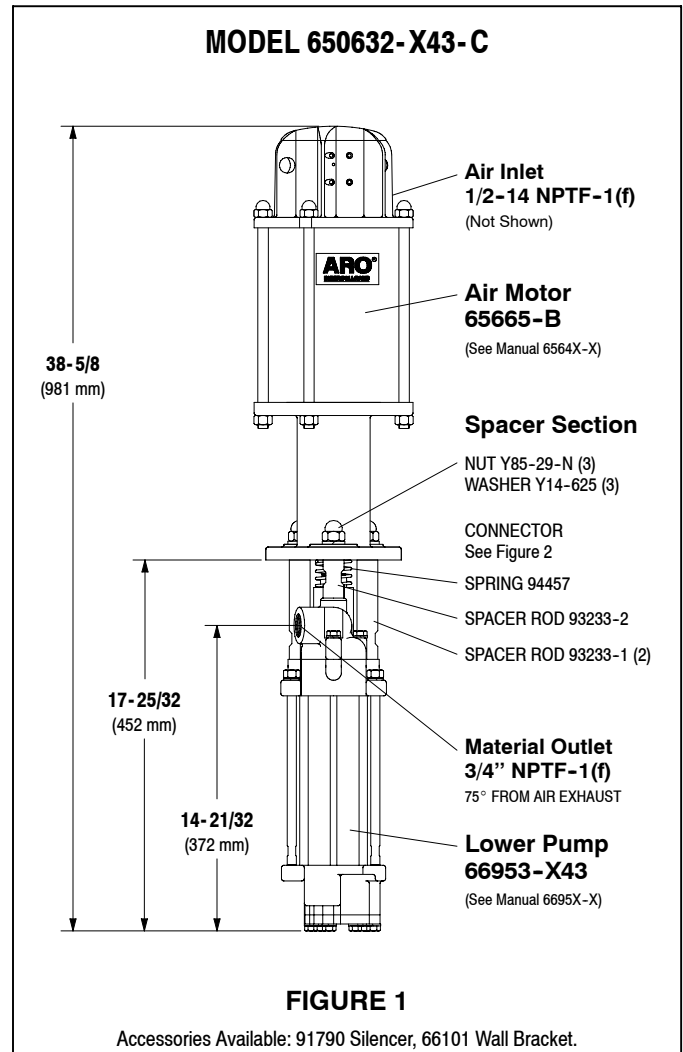
Model Series (Refer to option chart)	650632-X43-C
Type	Air Operated, Four Ball
Ratio	4:1
Air Motor	65665-B
Motor Repair Kit	61355
Motor Diameter	6" (15.2 cm)
Stroke	6"
Air Inlet	1/2" - 14 NPTF-1(f)
Air Exhaust	1-1/4", 11-1/2 NPTF-1(f)
Lower Pump End Series	66953-X43
Lower Pump Repair Kit	637230-X43
Material Outlet	3/4" NPTF-1(f)

PERFORMANCE

Air Inlet Pressure Range	30 - 150 PSI (2 - 10.3 bar)
Fluid Pressure Range	120 - 600 PSI (8.3 - 41.4 bar)
Max. Rec'd Cycles / Minute	70
Displacement In³ Per Cycle	82
Volume/Cycle	45.4 oz. (1343 ml)
Cycles Per Gallon	2.8
Flow @ 60 Cycles / Minute	21.3 GPM (80.6 lpm)
Noise Level @ 60 Psi - 40 Cpm	84.8 db(A) *

* The pump sound pressure level has been updated to an Equivalent Continuous Sound Level (L_{Aeq}) to meet the intent of ANSI S1. 13-1971, CAGI-PNEUROP S5.1 using four microphone locations.

PUMP DATA



IMPORTANT

**This is one of the four documents which support the pump.
Replacement copies of these forms are available upon request.**

- 650632-X-C MODEL OPERATOR'S MANUAL
- GENERAL INFORMATION - INDUSTRIAL PISTON PUMPS
- 6695X-X LOWER PUMP END OPERATOR'S MANUAL
- 6564X-X AIR MOTOR OPERATOR'S MANUAL

INGERSOLL RAND COMPANY LTD

209 NORTH MAIN STREET - BRYAN, OHIO 43506

☎ (800) 495-0276 • FAX(800) 892-6276

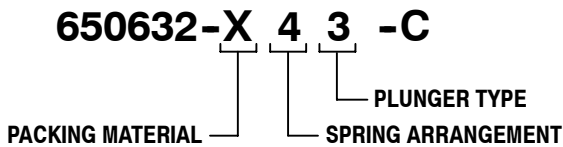
www.ingersollrandproducts.com

© 2010 CCN 99711836

ARO

IR Ingersoll Rand
Industrial Technologies

PUMP OPTION DESCRIPTION CHART



PACKING MATERIAL (PACKINGS ARE UPPER AND LOWER UNLESS NOTED)

7 GLASS FILLED PTFE (UPPER)	P UHMW-PE/PTFE STAG'D (UPPER)
VIRGIN PTFE (LOWER)	UHMW-PE (LOWER)
C UHMW-PE	R PTFE/UHMW-PE STAG'D (UPPER)
F UHMW-PE/LEATHER STAG'D (UPPER)	PTFE (LOWER)
UHMW-PE (LOWER)	

SPRING ARRANGEMENT

4 MULTIPLE WAVE SPRING

PLUNGER TYPE

3 HD SS W/HD CHROME PLATING

GENERAL DESCRIPTION

⚠ WARNING HAZARDOUS PRESSURE. Do not exceed maximum operating pressure of 600 psi (41.4 bar) at 150 psi (10.3 bar) inlet air pressure.

**PUMP RATIO X
INLET PRESSURE TO PUMP MOTOR = MAXIMUM PUMP
FLUID PRESSURE**

Pump ratio is an expression of the relationship between the pump motor area and the lower pump end area. EXAMPLE: When 150 p.s.i. (10.3 bar) inlet pressure is supplied to the motor of a 4:1 ratio pump it will develop a maximum of 600 p.s.i. (41.4 bar) fluid pressure (at no flow) - as the fluid control is opened, the flow rate will increase as the motor cycle rate increases to keep up with the demand.

⚠ WARNING Refer to general information sheet for additional safety precautions and important information.

- The Four-Ball pumps are primarily designed for the high volume transfer of light and medium viscosity fluids compatible with carbon steel. The lower pump is designed for easy priming and the double acting feature is standard on all ARO industrial pumps. Material is delivered to the pump discharge outlet on both the up and down stroke.
- The motor is connected to the lower pump end by a spacer section. This allows for lubrication of the upper packing gland and prevents motor contamination because of normal wear and eventual leakage through the material packing gland. Be sure the solvent cup is adequately filled with lubricant to protect the upper packings and insure longest service life.

TROUBLE SHOOTING

Pump problems can occur in either the Air Motor Section or the Lower Pump End Section. Use these basic guidelines to help determine which section is affected.

If the pump will not cycle.

- Be certain to first check for non-pump problems including kinked, restrictive or plugged inlet/outlet hose or dispensing device. Depressurize the pump system and clean out any obstructions in the inlet/outlet material lines.
- Refer to the motor manual for trouble shooting if the pump does not cycle and/or air leaks from the air motor.

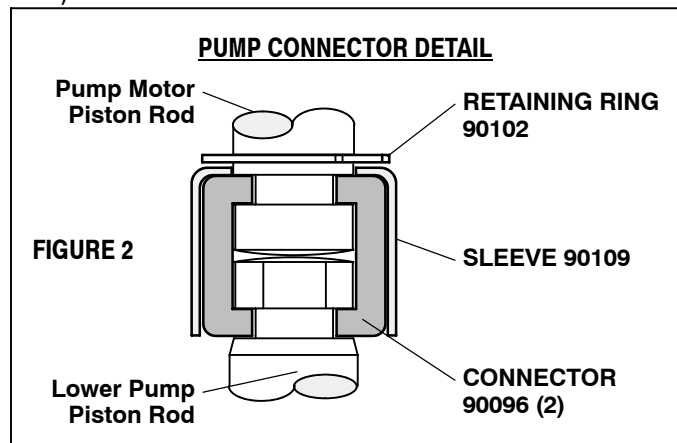
If the pump cycles but does not deliver material.

- Refer to the lower pump end manual for further trouble shooting.

PUMP CONNECTION - UPPER / LOWER

NOTE: All threads are right hand.

1. Lay the pump assembly on a workbench.
2. Remove the three nuts and washers from the three spacer rods (see figure 1).
3. Pull the air motor from the lower pump end until motor piston rod is in the "down" position and lower pump end rod is in "up" position.
4. Using e-ring pliers, slide the retaining ring up far enough to allow the sleeve to move upward and release the two connectors (see figure 2).



REASSEMBLY

1. Align the pump motor with the lower pump end. Position the air inlet of the motor 200° from the material outlet.
2. Install the two connectors and retain with the sleeve, slide the retaining ring back into position.
3. Reinstall the spacer rods to the pump motor.
4. Bring the motor and lower pump together and retain with the three nuts and washers.