

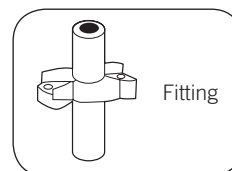
# REPLACING THE HT-7450 AIR PUMP TUBING FITTING

To ensure that Human Touch<sup>®</sup> products are repaired in a manner that is fully consistent with the practices used during the manufacturing process, Human Touch requires that all product repairs are performed using only factory-new parts and in accordance with these product repair instructions.

SERVICE LEVEL: 2

**Tools Required:** Phillips-head screwdriver, nail clipper or other instrument suitable for cutting zip ties, new zip ties, small needle-nosed pliers, large paper clip

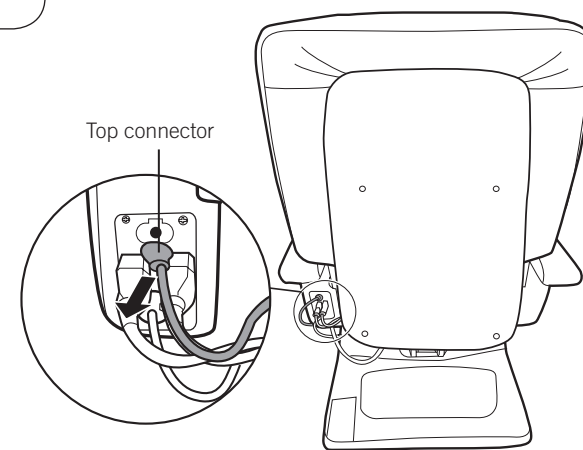
**NOTE:** SAVE ALL REMOVED PARTS FOR USE DURING REASSEMBLY



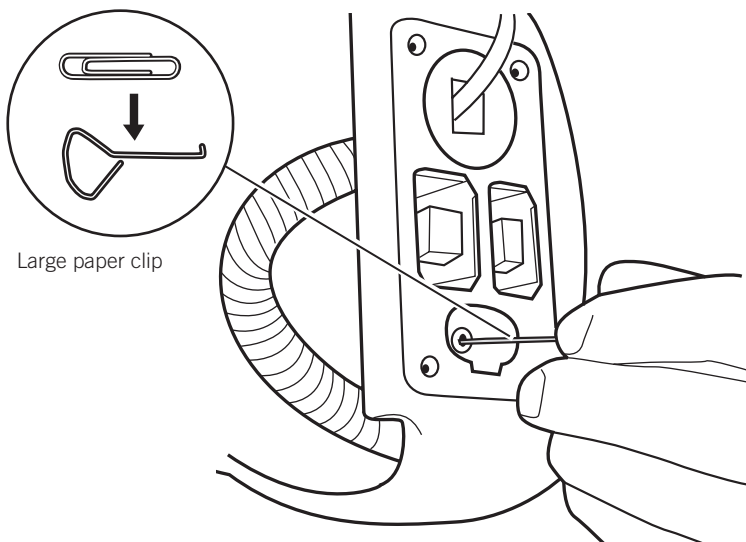
Fitting

## REMOVING THE FITTING

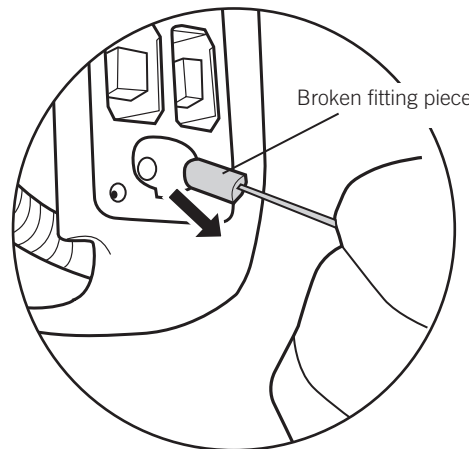
1. Power off the chair and unplug it.
2. Locate the backrest connection panel on the back of the left-hand armrest, then unplug the top connector (Fig.1).
3. Locate the fitting piece that broke off and, if possible, remove it. It is most likely lodged in the fitting receptacle on the backrest connection panel. You may need to bend a large paper clip as shown in Fig.2, then use this tool to dislodge the broken fitting piece from the receptacle (Fig.3).



(Fig.1)

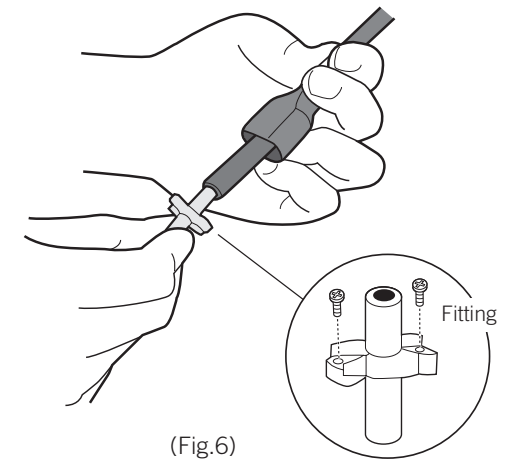
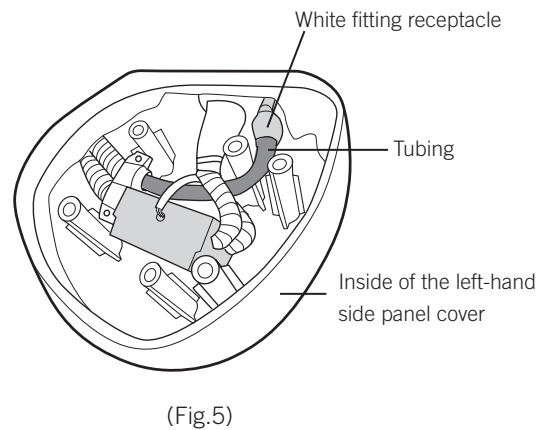
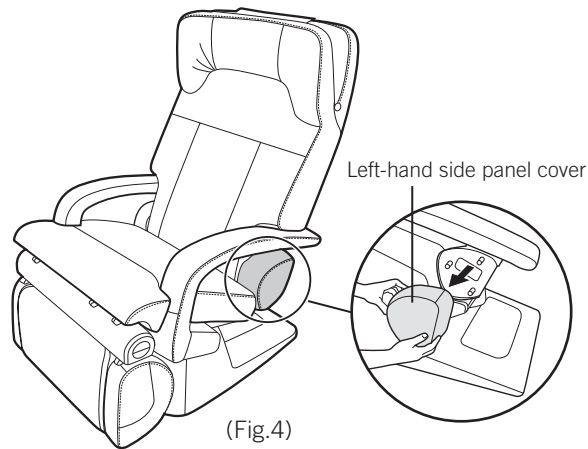


(Fig.2)



(Fig.3)

4. If you cannot remove the broken fitting piece from the receptacle, you will need to remove the left-hand side panel, and remove the broken piece from the inside:
  - a. Using two hands, pull the left-hand side panel cover outward to separate it from the chair (Fig.4).
  - b. Using a nail clipper or other instrument suitable for cutting zip ties, cut the zip tie that secures the tubing to the white fitting receptacle, then remove the tubing from the receptacle (Fig.5).
  - c. Use a small needle-nosed pliers or other similar tool to remove the broken fitting piece from the receptacle.
  - d. Place the tubing back onto the fitting receptacle, and secure it using a new zip tie.
  - e. Align the posts on the chair base with the corresponding post guides on the side panel cover, then gently tap the cover into place.
5. Using a Phillips-head screwdriver, remove the two screws that secure the fitting to the air pump tubing connector (Fig.6).



## INSTALLING THE NEW FITTING

1. Place the new fitting into the air pump tubing connector, and secure it using the two screws.
2. Connect the air pump tubing connector to the corresponding receptacle on the backrest connection panel (located on the back of the left-hand armrest).
3. Plug in the chair and power it on.
4. Verify that the massage comfort control is now working properly.