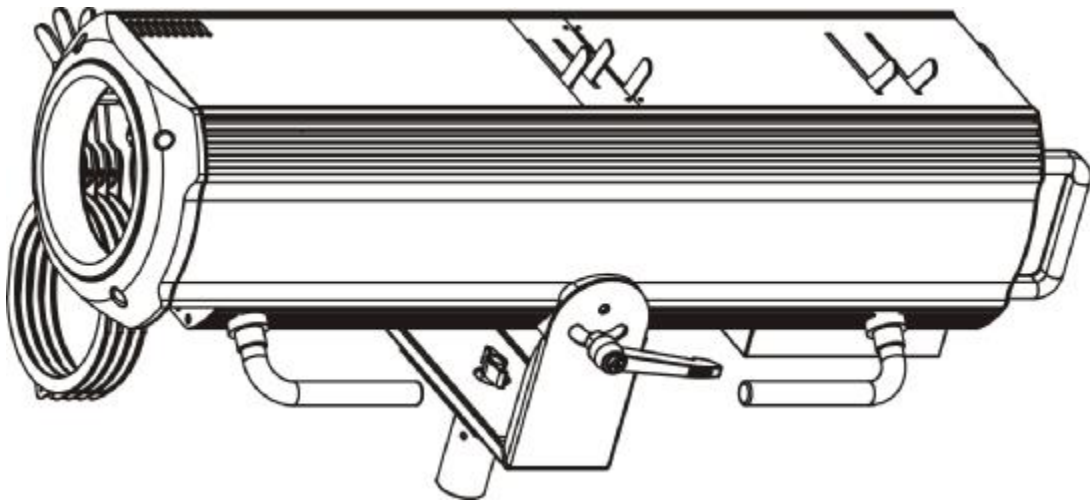




## Terbly FS300 Follow Spot



**USER MANUAL**

KEEP THIS MANUAL FOR FUTURE NEEDS



## Contents

<b>1. FEATURES.....</b>	<b>2</b>
<b>2. FIXTURE OVERVIEW .....</b>	<b>3</b>
<b>3. GENERAL GUIDELINES .....</b>	<b>3</b>
<b>3.1) Important safety warns .....</b>	<b>3</b>
<b>3.2) GENERAL GUIDELINES.....</b>	<b>4</b>
<b>4. INSTALLATION INSTRUCTIONS.....</b>	<b>5</b>
<b>4.1) Installing or replacing the lamp .....</b>	<b>5</b>
<b>5. Instructions .....</b>	<b>7</b>
<b>5.1 Dimming/color temperature adjustment instruction .....</b>	<b>7</b>
<b>6. CLEANING AND MAINTENANCE.....</b>	<b>8</b>
<b>7. TECHNICAL SPECIFICATIONS .....</b>	<b>9</b>

Thank you for your patronage. We are confident that our excellent products and service can satisfy you. For your own safety, please read this user manual carefully before installing the device.

In order to install , operate, and maintain the lighting safety and correctly. We suggest that the installation and operation should be done strictly.



### **CAUTION!**

Unplug mains lead before opening the housing.

Every person involved with the installation, operation and maintenance of this device has to:  
-be qualified  
-follow carefully the instructions of this manual

## **INTRODUCTION:**

Thank you for having chosen this professional [Followspot Lighting](#).

You will see you have acquired a powerful and versatile device.

Unpack the device. Inside the box you should find:

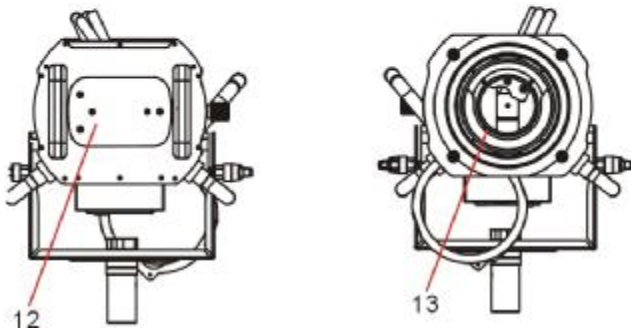
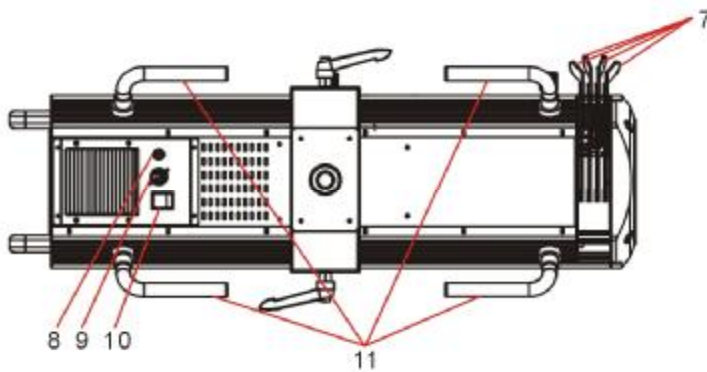
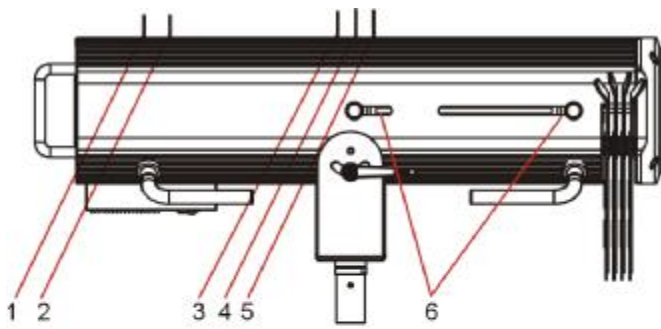
1. One power cables
2. Manual
3. One warranty card and certification

Please check carefully that there is no damage caused by transportation. Should there be any, consult your dealer and don't install this device.

## **1. FEATURES**

- [Lamp: Philips PLATINUM 15R.](#)
- Color Filters: 4pcs manual color filters
- Dimmer intensity from 0%~100%
- Color temperature:linear adjustment from 3200K to 6800K

## 2. Fixture Overview




- 1: Dimming
- 2: Color Temperature
- 3: Iris
- 4: Frost
- 5: Framing
- 6: Adjust beam angle
- 7: Colored papers
- 8: Fuse
- 9: Power supply
- 10: Power switch
- 11: Hand
- 12: Lamp bracket/rear metal panel
- 13: Lens

## 3. GENERAL GUIDELINES

### 3.1) Important safety warns

	<p><b>CAUTION!</b></p> <p>Be careful with your operations. With a dangerous voltage you can suffer a dangerous electric shock when touching wires!</p>
---	--

This device has left the factory in perfect condition. In order to maintain this condition and to ensure a safe operation, it is absolutely necessary for the user to follow the safety instructions and warning notes written in this user manual.

**Important:**  
 **Damages caused by the disregard of this user manual are not subject to warranty. The dealer will not accept liability for any resulting defects or problems.**

If the device has been exposed to temperature changes due to environmental changes, do not switch it on immediately. The arising condensation could damage the device. Leave the device switched off until it has reached room temperature.

This device falls under protection-class I. Therefore it is essential that the device be earthed. If protection screen, lens or ultraviolet screen in the fixture is apparently damaged or is damaged to exceed their own effective degree, such as cracked and gashed, it must be replaced.

The electric connection must carry out by qualified person.

Make sure that the available voltage is not higher than stated at the end of this manual.



Make sure the power cord is never crimped or damaged by sharp edges. If this would be the case, replacement of the cable must be done by an authorized dealer.

Always disconnect from the mains, when the device is not in use or before cleaning it. Only handle the power cord by the plug. Never pull out the plug by tugging the power cord.

During initial start-up some smoke or smell may arise. This is a normal process and does not necessarily mean that the device is defective, it should decrease gradually.

Please don't project the beam onto combustible substances.

If the external flexible cable or cord of this luminaire is damaged, it shall be exclusively replaced by the manufacturer or his service agent or a similar qualified person in order to avoid a hazard.

	<b>CAUTION!</b> Never touch the device during operation! The housing may heat up
	<b>CAUTION!</b> Never look directly into the light source, as sensitive persons may suffer an epileptic shock.

**Please be aware that damages caused by manual modifications to the device are not subject to warranty. Keep away from children and non-professionals.**

### 3.2) GENERAL GUIDELINES

This device is a lighting effect for professional use on stages, in discotheques, theatres, etc., the device was designed for indoor use only.

This fixture is only allowed to be operated with the max alternating current which stated in the technical specifications in the last page of this manual.

Lighting effects are not designed for permanent operation. Consistent operation breaks may ensure that the device will serve you for a long time without defects.

Do not shake the device. Avoid brute force when installing or operating the device.

While choosing the installation-spot, please make sure that the device is not exposed to extreme heat, moisture or dust. Please don't project the beam onto combustible substances. The minimum distance between light-output from the projector and the illuminated surface must be more than 3 meter.

If you use the quick lock cam in hanging up the fixture, please make sure the quick lock fasteners turned in the quick lock holes correctly.

Operate the device only after having familiarized with its functions. Do not permit operation by persons not qualified for operating the device. Most damages are the result of unprofessional operation.



Please use the original packaging if the device is to be transported.

For safety reasons, please be aware that all modifications on the device are forbidden.

If this device will be operated in any way different to the one described in this manual, the product may suffer damages and the guarantee becomes void. Furthermore, any other operation may lead to short-circuit, burns, electric shock, lamp explosion, crash, etc.

## 4. INSTALLATION INSTRUCTIONS

### 4.1) Installing or replacing the lamp

	<b>CAUTION!</b> Only install the lamp with the device unplugged from the mains.
	<b>CAUTION!</b> The lamp has to be replaced when it is damaged or deformed.

Because of the nature of the extreme heat associated with the Platinum 15R lamp and the tight nature of the internal optical system it is imperative that the lamp be replaced every 2000 hours. This is done to protect the internal optical system as well as prevent accidental lamp explosion, which could lead to hot glass particles falling from the fixture. Failure to change the lamp within 300 hours of operation will result in automatic shut down of the fixture's electronics.

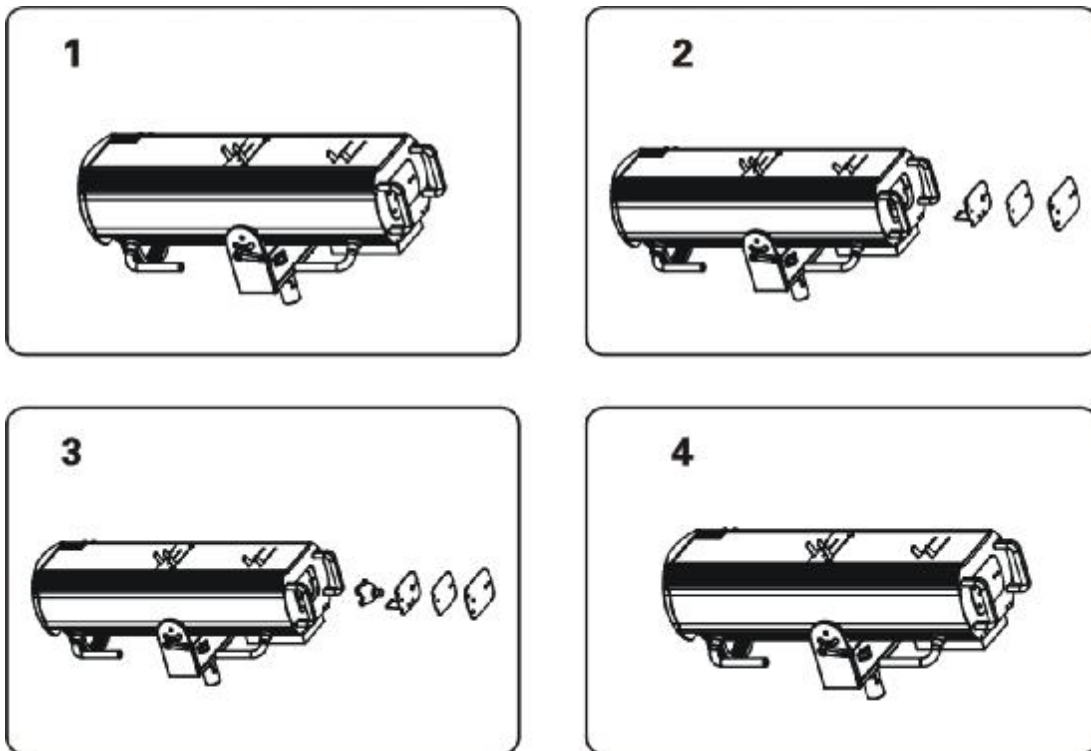
Before replacing the lamp let the lamp cool down, because during operation, the lamp can reach very high temperature.

During the installation of halogen lamps do not touch the glass bulbs bare handed. Always use a cloth to handle the lamps during insertion and removal.

Do not install lamps with a higher wattage. They generate higher temperatures than which the device was designed for.

For the installation, you need one: PLATINUM 15R

**Procedures:**



- 1) Unscrew the 3 screws (A, B, C) on the bottom of the housing, holding the plate where the lamp is underneath. Carefully remove the metal plate.
- 2) Insert the lamp counter-clockwise 35 degree into the lampholder, then turn clockwise 35 degree to put it into the right position. Attention: please wrap the lamp with the soft cloth that comes with the packing, avoid naked hand contact to the lamp directly.
- 3) Put the lampholder back position after install the lamp, tighten the screw and complete the installation.

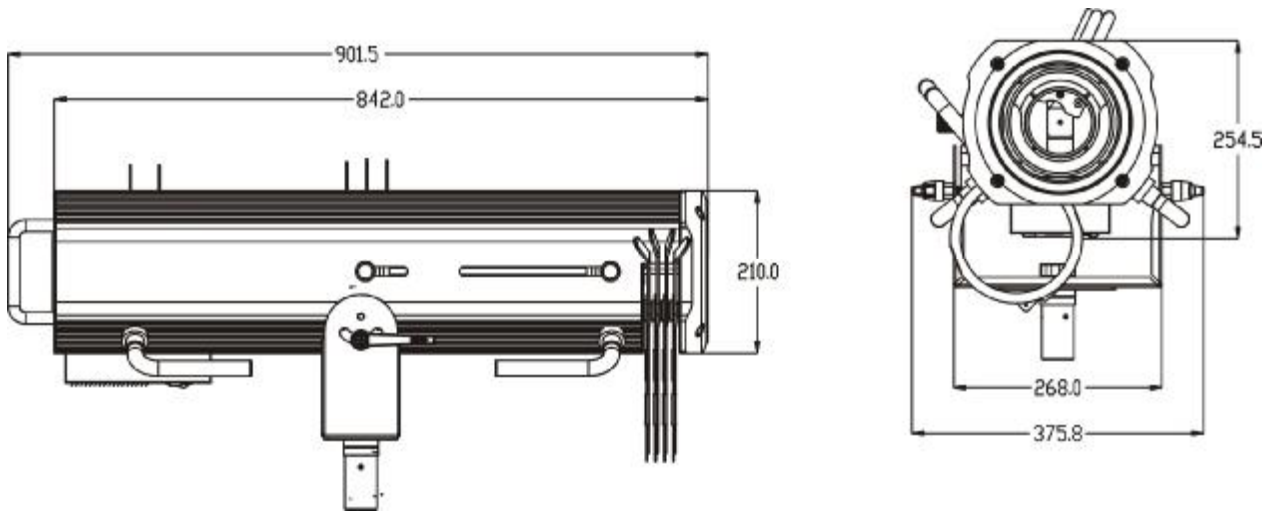
Please remember the lamp is not a hot-restrike type, you must wait for approximately 10 minutes after having turned off the lamp before you can turn it back on again.



**CAUTION!**

Do not operate this device with open cover

## Layout Drawings:

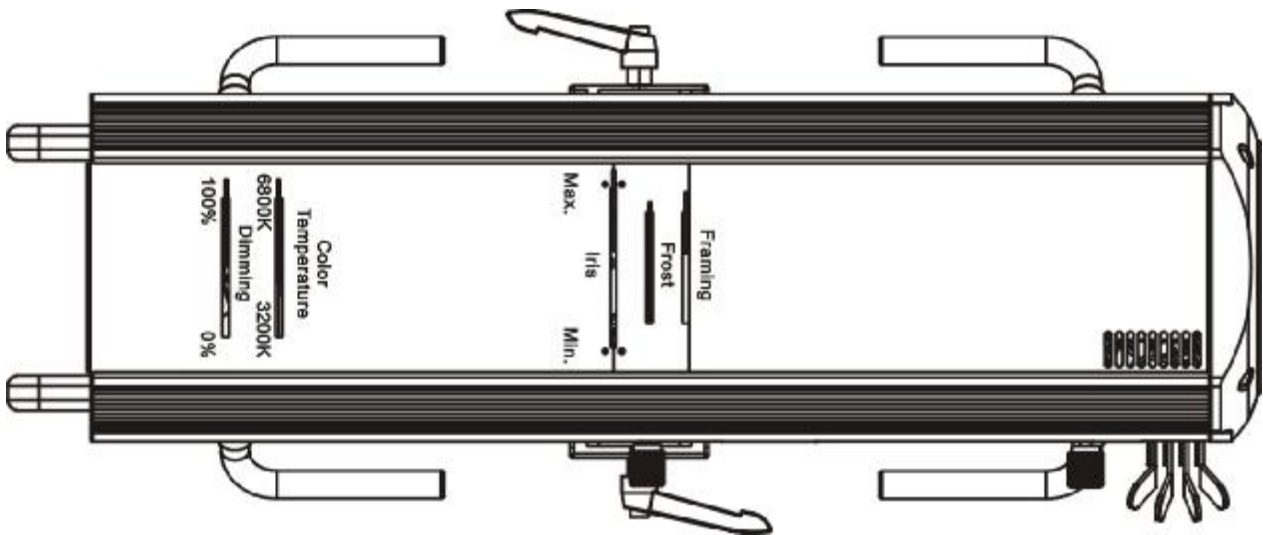


## 5. Instructions

### 5.1 Dimming/color temperature adjustment instruction

- 1) Dimming: linear dimming-Intensity 0% to 100%.  
Instruction: dimming according to silkscreen instruction by slider.
- 2) Color temperature: linear adjustment from 3200K to 6800K.  
Instruction: adjust color temperature according to silkscreen instruction by slider.
- 3) Iris: adjust Min. to Max linearly.  
Instruction: adjust iris according to silkscreen instruction by slider.
- 4) Frost: soften the edge of spot  
Instruction: push the adjusting lever, please adjust the frost effect according to the fixed position of the silk-screen.
- 5) Framing: profile from up to down.  
Instruction: profile according to silkscreen instruction.



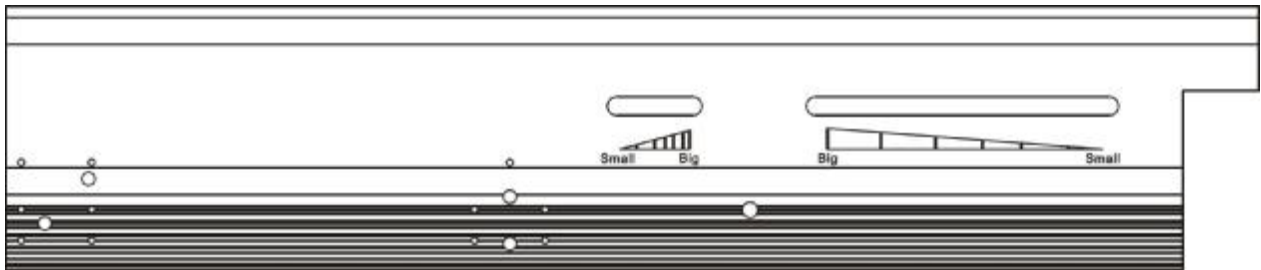


## 5.2 Beam angel adjustment instruction

adjust beam angle: linearly adjusting beam angel from small to big

Instruction: move sliders on both sides to focus and zoom.

(Attn: must keep both sides move to same value )



## 6. CLEANING AND MAINTENANCE

The following points have to be considered during the inspection:

- 1) All screws for installing the devices or parts of the device have to be tightly connected and must not be corroded.
  - 2) There must not be any deformations on the housing, color lenses, fixations and installation spots (ceiling, suspension, trussing).
  - 3) The electric power supply cables must not show any damage, material fatigue or sediments.
- Further instructions depending on the installation spot and usage have to be adhered by a skilled

installer and any safety problems have to be removed.



## CAUTION!

Disconnect from mains before starting maintenance operation.

In order to make the lights in good condition and extend the life time, we suggest a regular cleaning to the lights.

- 1) Clean the inside and outside lens each week to avoid the weakness of the lights due to accumulation of dust.
- 2) Clean the fan each week.
- 3) A detailed electric check by approved electrical engineer each three month, make sure that the circuit contacts are in good condition, prevent the poor contact of circuit from overheating.

We recommend a frequent cleaning of the device. Please use a moist, lint- free cloth. Never use alcohol or solvents.

There are no serviceable parts inside the device except for the lamp. Please refer to the instructions under “Installation instructions”.

Should you need any spare parts, please order genuine parts from your local dealer.

## 7. TECHNICAL SPECIFICATIONS

**Power supply:** AC 100-240V~, 50/60Hz

**Power consumption:** 380W

**Lamp:** PLATINUM 15R

**Lamp power:** 300W

**Packing carton dimensions:** 101x44x53cm

**Flight case dimensions:** 117.5x69x50cm

**Net weight:** 23.5 KGS

**Gross weight:** 29 KGS(carton packing)      82.5KGS (Package in flightcase: including tripod and lens, lens circle weight)

**Remark:** errors and omissions for every information given in this manual excepted. All information is subject to change without prior notice.