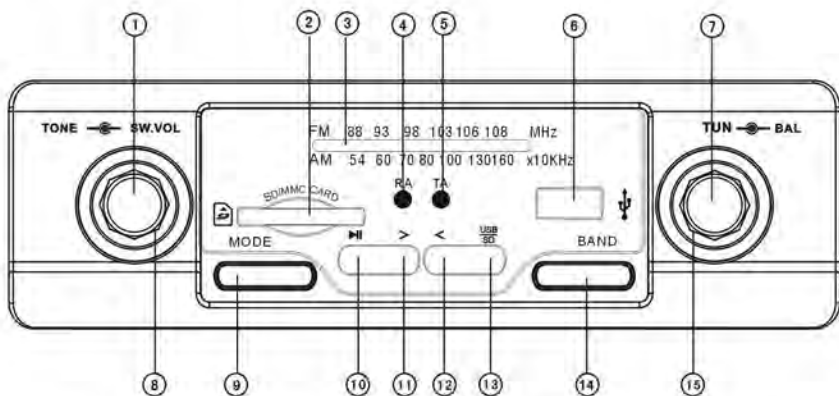


PYLE®

PLRI4MPF

User's Manual

1. Control Panel



- | | | |
|---------------------------------|------------------------|------------------|
| ① Volume knob with power switch | ② SD/MMC card slot | ③ Dial indicator |
| ④ Radio indicator | ⑤ MP3 player indicator | ⑥ U-disk slot |
| ⑦ Tune knob | ⑧ Tone knob | ⑨ Mode button |
| ⑩ Pause button | ⑪ Forward button | ⑫ Rewind button |
| ⑬ U-disk and SD/MMC card button | ⑭ Band button | ⑮ Balance knob |

2. Operations

① TURN POWER ON/OFF AND ADJUST VOLUME

Rotate “sw.vol” knob clockwise to turn the power on and increase volume;
Rotate “sw.vol” knob anticlockwise to decrease volume and turn the power off.

② RADIO OPERATIONS

Push the “MODE” button into for radio state, the “RA” indicator lights;
Push the “BAND” button into for “FM” state, push the “BAND” button again into for “AM” state;

Rotate the TUNE knob to receive your desire station, the dial indicator indicates the frequency of the station.

③ MP3 PLAYER OPERATIONS

When U-disk or SD/MMcard is inserted into the machine, push the “MODE” button into for MP3 player state, the “TA” indicator lights.

④ NEXT/FF

Under U-disk、SD/MMC card playing state, press “>” button to increase program; press and hold “>” button for over 1s to activate program fast forward function.

⑤ BACK/REW

Under U-disk、SD/MMC card playing state, press “<” button to decrease program; press and hold “<” button for over 1s to activate program fast rewind function.

⑥ PAUSE

Under U-disk、SD/MMC card playing state, press “▶||” button to stop playing temporarily; press it again to release pause function.

⑦ U-DISK AND SD/MMC CARD PLAYING SWITCH

When U-disk and SD/MMC card are inserted into the machine, press and hold “^{USB}/_{SD}” button to switch between U-disk and SD/MMC card.

3. Cautions

Please replace the fuse of same specification, do not use other material as fuse.

4. Technical Parameters

AM Section

Frequency Range-----530~1700KHz

Sensitivity----- $\leq 43\text{dB}$

SNR----- $\geq 40\text{dB}$

FM Section

Frequency Range-----87~108MHz

Sensitivity----- $\leq 26\text{dB}$

SNR----- $\geq 50\text{dB}$

General Section

Power Voltage-----12V DC

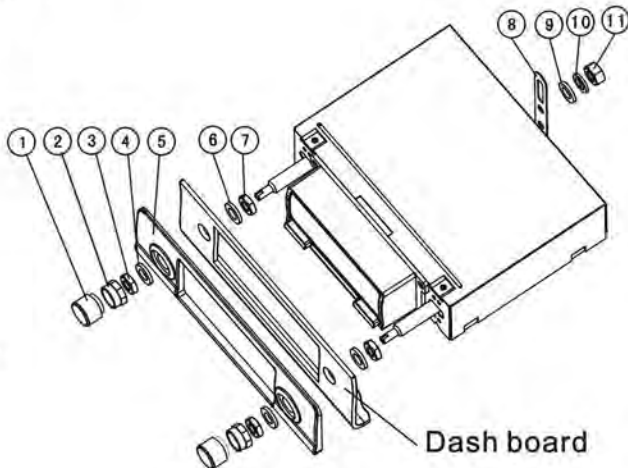
Speaker Impedance-----4~8 Ω

Power Output-----80W X2 (160W Max)

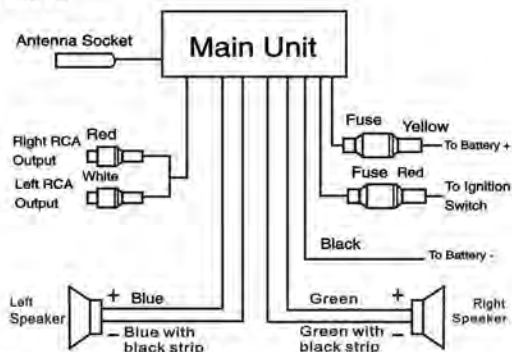
Dimension-----164mm(W) X43mm(H) X124mm(D)

5. Installation

- ① Outside knob
- ② inside knob
- ③ nut
- ④ washer
- ⑤ panel
- ⑥ washer
- ⑦ nut
- ⑧ fixing strip
- ⑨ washer
- ⑩ spring washer
- ⑪ nut



6. Wiring Diagram



7. Troubleshooting

Fault	Reason	Solution
Power indicator doesn't light on	<ol style="list-style-type: none"> 1. Power supply is not correctly connected. 2. Fuse is broken or power wire is open circuit. 	<ul style="list-style-type: none"> • Connect power supply correctly. • Check and connect fuse or power wire.
No sound	<ol style="list-style-type: none"> 1. No power supply. 2. Speaker wire is open circuit. 3. SD/MMC card and U-disk haven't music of corresponding format. 4. SD/MMC card and U-disk have bad contact. 	<ul style="list-style-type: none"> • Connect power wire. • Connect speaker wire. • Check the content in the SD/MMC card and U-disk. • Clean with alcohol.
Low sound (not clear)	<ol style="list-style-type: none"> 1. Resistance of the battery is high. 2. Antenna is bad contact. 	<ul style="list-style-type: none"> • Replace battery. • Tighten the antenna plug.
Mono track	<ol style="list-style-type: none"> 1. One channel of speaker wire is open circuit. 2. Amplifier is fault. 	<ul style="list-style-type: none"> • Connect speaker wire. • Replace the integrate circuit of amplifier.