

APCO AVIATION

USER MANUAL

Finesse Plus

INDEX

Introduction

Harness Sizing

Harness Colours

Disclaimer

Speed System Assembly

Standard Assembly

Alternative 1

Alternative 2

Alternative 3

Alternative 4

Adding a second Step

Adding a wonder Stirrup

Speed System Adjustment

Speed System Warning

Harness Skeleton Illustration

Adjustments

Shoulder Straps

Back/Side Straps

Seat Board Angle

Chest Strap

Leg Straps

Reserve Parachute

Assembly

Deployment

Pilot Protection

Airfoam

Side Protector

Lexan Sheet

Storage Space

Main Back Compartment

Side Pocket

Packing your harness

Accessories

The Foot Rest

The Wonder Stirrup

Radio Pocket

Front Ballast Container

"Camelbak" Attachment

"Drinking Hose Access

Inspection and Maintenance

Pre-Flight Inspections

Periodic Inspections

Maintenance and Repairs

Introduction

The Finesse Plus Harness is the result of Apco's policy of ongoing research, development and product improvement. Having realized that the market demanded a harness with maximum pilot protection without excessive weight and cumbersome, complicated adjustments and buckles, the engineers in the R&D team at Apco set about designing the Finesse Plus.

The Finesse Plus has a unique pilot protection system, combining the usual airfoam type protector with a exterior lexan sheet which aids in spreading the load over the absorbing area of the airfoam. This is combined with a Polystyrene side impact protector on the left, and the side mounted reserve on the right, which doubles as a side impact protector, offers the maximum protection available to a paraglider pilot today.

Apart from the Unbeatable Pilot Protection, the Finesse Plus offers other great features such as the floating seat board which is connected to the speed system to improve comfort and aerodynamics while you are accelerating, and makes it very easy to slip in and out of the harness after take-off and before landing.

The New Harness geometry gives great comfort, with perfect adjustment possibilities, while eliminating excessive webbing and straps. The adjustment straps are kept tidy with a unique system that prevents them from flapping in the wind. Two PVC Battens aid in speading the load evenly along the back, increasing comfort while reducing the amount of webbing supports required.

Another new feature to Apco is the very simple and practical combination of the chest and leg straps, making it impossible to forget to close any buckles before taking off. In addition there are only two buckles to close locking the pilot safely into the harness. The chest strap also features a 1:2 reduction making it very easy to adjust during flight to suit the conditions.

The clean aerodynamic form of the Finesse Plus reduces drag created by the pilot and Harness, giving you higher performance all round.

Harness Sizing

The Finesse Plus is currently available in two sizes for pilots from under 150cm up to 200cm.

Small/Medium	Up to 179cm
Large/X-Large	180 and up
Extra Small	available on request

Harness Colours

The Finesse Plus is available in Black, with several Secondary Colour options:



Black & Gray



Black & Royal Blue



Black & Beige



Black & Red

Disclaimer

In designing and manufacturing the Finesse Plus and any of its subassemblies or accessories, our aim has been to create a harness system that will allow the user to engage in the sport of paragliding in a safe and comfortable way.

However, paragliding is a high-risk activity, which may cause or result in serious injury or death. When you take it upon yourself to participate in the sport of paragliding, you accept the risk inherent therein. You may reduce the risk by receiving proper instruction and by following the basic safety requirements. The Finesse Plus is a sensitive device, which may easily be damaged. Before each flight, the harness should carefully be inspected for evidence of damage or wear. Any deviation from the manufacturers specifications concerning maintenance, repair, alterations and modifications constitutes willful negligence.

It is expressly understood and agreed that by the use hereof by the buyer or any subsequent user that Apco Aviation Ltd. And/or the seller shall in no way be deemed or held liable or accountable

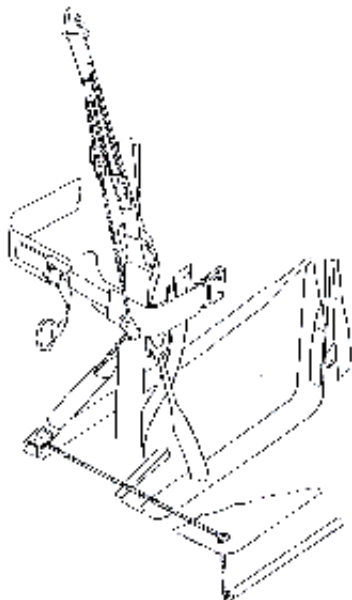
and makes no warranty, either expressed or implied, statutory, by operation of law or otherwise, beyond that expressed herein.

Paragliding equipment is sold with all faults and without any warranty of merchantability or fitness for any purpose, expressed or implied. Apco Aviation Ltd. Disclaims any liability in tort for damages, direct or consequential, including personal injuries, resulting from a malfunction or from a defect in design, manufacturing, materials or workmanship, whether caused by negligence on the part of Apco Aviation Ltd. or otherwise.

By using any Paragliding equipment manufactured or sold by Apco Aviation Ltd., or allowing it to be used by others, the buyer and/or user waives any liability on the part of Apco Aviation Ltd., for personal injuries or any other damages arising from such use.

The liability of Apco Aviation Ltd. is limited to the replacement of defective parts found under examination by manufacturer to be defective in material or workmanship within 120 days after purchase, and which has not been caused by an accident, striking, improper use, alteration, tampering, excessive use, misuse or abuse.

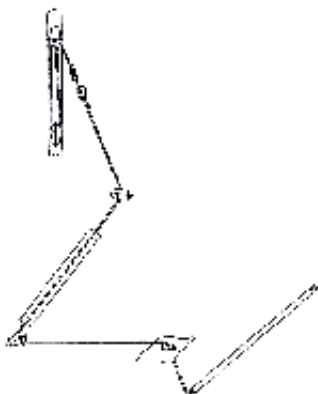
The damages of the buyer and/or user shall be deemed liquidated in the costs of replacement as above.



Speed System Assembly

The Speed system rigging and geometry on The Finesse Plus differs from previous Apco Harnesses, in that the Finesse has a floating seat board, that is lifted when the speed bar is applied. This results in a more comfortable and aerodynamic position while in accelerated flight. Please observe the [IMPORTANT Warnings](#) on this page regarding the use of your speed system in flight.

There are at least five different ways to rig your speed system through the Finesse Plus harness; This allows you to fully customize your speed system providing optimal range and ease of use. Follow the instructions and advice below to choose the best configuration for your particular needs, and to set up the speed system.



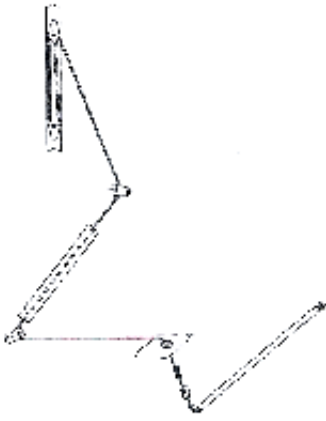
The **Standard** (Recommended) method to rig the speedsystem on your Finesse Plus harness is as follows:

Thread the accelerator cords through the grommet (eyelet) situated in the fabric at the front corners of the seat. Then pass the cords through the pulleys attached to the rear side of the seat. Now pass the cords through the webbing channel starting just above the pulley you have just threaded. After this, pass the cords through the upper pulley located just below the carabiner/hook-up point of the harness. Now you can attach the Chain Link/Clamp or maillon rapide to the cord and attach it to the riser. Check the [IMPORTANT Adjustment Instructions](#), which follow the alternative rigging instructions below.

Alternative 1

Use this technique if you find that the full travel of your speed system is restricted due to the chainlink/clamp reaching the upper pulley (just below the hook-up point for the riser) before the two pulleys on your risers have met (indicating maximum acceleration). This method was developed for Apco gliders, but can be adapted onto many other brands. The only disadvantage

to this method is that it is not as quick to separate your glider from your harness, and it will be best if you do not disconnect the two each time after flying, and simply pack the two connected and ready for the next flight. If this does not suit you, check [Alternative 2](#) below.



Instead of using two pieces of cord that are connected half way, this technique uses a single piece of cord that runs through the pulleys on the riser and down through all the points on the harness right up to the speed bar. This eliminates the problems of having a restricted speed bar range.

To rig your system, use a single cord (supplied with Apco gliders, attached to the speed bar). Attach this cord to the webbing loop of the upper pulley attachment on your risers, and thread it first through the lower pulley on the riser and then through the upper one. Now pass the cord through the first pulley on your harness (located just below the carabiner/hook-up point of the harness). Then pass the cord through the webbing channel that leads down to the second pulley attached to the rear corner of the seat board. Next, pass the cord out through the grommet (eyelet) situated near the front corner of the seat board, and then attach it to your speed bar. Adjustment of this system can be made either at the speed bar end or at the attachment point on the riser. To correctly adjust this configuration, follow the IMPORTANT [Adjustment Instructions](#), which follow the alternative rigging instructions below.

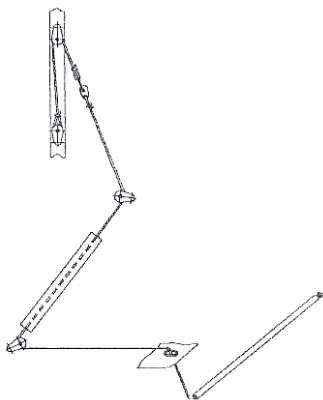
Alternative 2



Use this method if you want to retain the advantages of the [Standard Method](#), but need to extend the speed range to its maximum.

Assemble your speed system as described in the [Standard](#) section, but do not thread the cords through the upper set of pulleys (located just below the carabiner/hook-up point of the harness), and the webbing channel below it. Instead attach the cord directly to the chainlink/clamp on the riser, after threading it through the pulley on the rear of the seat board. This allows the chain-links/clamps to move lower, thus increasing the speed range.

Alternative 3

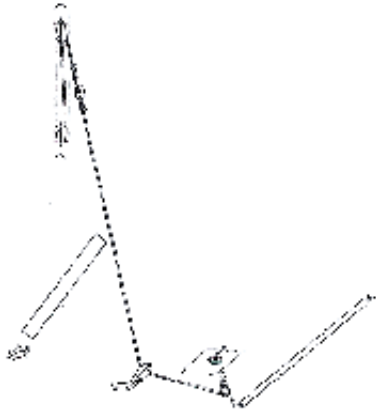


This method retains all the advantages of the [Standard](#) but it increases the required effort to apply the speed bar. This is achieved by reducing the reduction ratio on the risers from 1:3 to 1:2.

To do this, assemble your speed system as described in the first section (recommended). Now detach the cords from their attachments on the webbing loop of the upper pulleys on your risers and remove the cord from the lower pulleys on the risers. Now attach the cords directly to the loop retaining the lower pulleys on the risers. The cords should now run from the webbing loop of the lower pulley, through the upper pulley and then via the chain-link/clamp to the upper pulley on the harness. The cord on the risers will need to be shortened by the appropriate amount, so that the chainlink/clamp is situated just below the upper pulley on the riser. To correctly adjust this configuration, follow the IMPORTANT [Adjustment Instructions](#), which follow the alternative rigging instructions below.

Alternative 4

Using this method, the assistance given to the floating seat by the speed system is removed. This eliminates the problems of the chainlink/clamp meeting the upper pulley before the full range of the speed system can be applied. The floating seat board will still move as before, but not quite as far.



To rig your speed system with this method, you will need to move the upper pulley to the alternative position lower down on the harness, just above the reserve parachute on the right, and above the pocket on the left. There is a 8mm webbing loop attached to the main webbing (45mm diameter) running down from the hook-up point to the mid section of the seat board. Attach the pulleys to these loops with a larks head knot. The speed system can now be rigged by threading the cords from the speed bar, through the steel rings attached by elastic cord at the front corners of the seat board, then through the pulleys you have fitted in their new position, and then up to the chainlink/clamp attachments on the risers. Use the [IMPORTANT Adjustment Instructions](#), which follow below.

Adding a Second Speed Bar Step

A Second Step increases your speed range by allowing you to adjust the upper (second) step much closer to the seat board, to a position where it is difficult to reach it without first applying the lower (first) step.

An additional step (bar) can be purchased from your [Apco dealer](#).

Attach the additional step to the original step so that it hangs approximately 30cm below the upper step and then shorten the entire system according to the [Adjustment Instructions](#) below.



Adding WONDER STIRRUP

Instead of using a main and second step it is possible and recommended to use the revolutionary wonder stirrup that contains a stirrup and a second step, all in one.

When the WONDER STIRRUP is connected to the harness it's held in a position which allows the pilot to insert his foot into the second step easily without ever needing to leaving the hands from the brake. This system increase safety of flight and glider speed range.

In order to connect the WONDER STIRRUP, simply replace it with the regular stirrup following above instructions.

NOTE: When connecting, make sure the black loop is facing down and the red loop is facing forward.



Speed System Adjustment

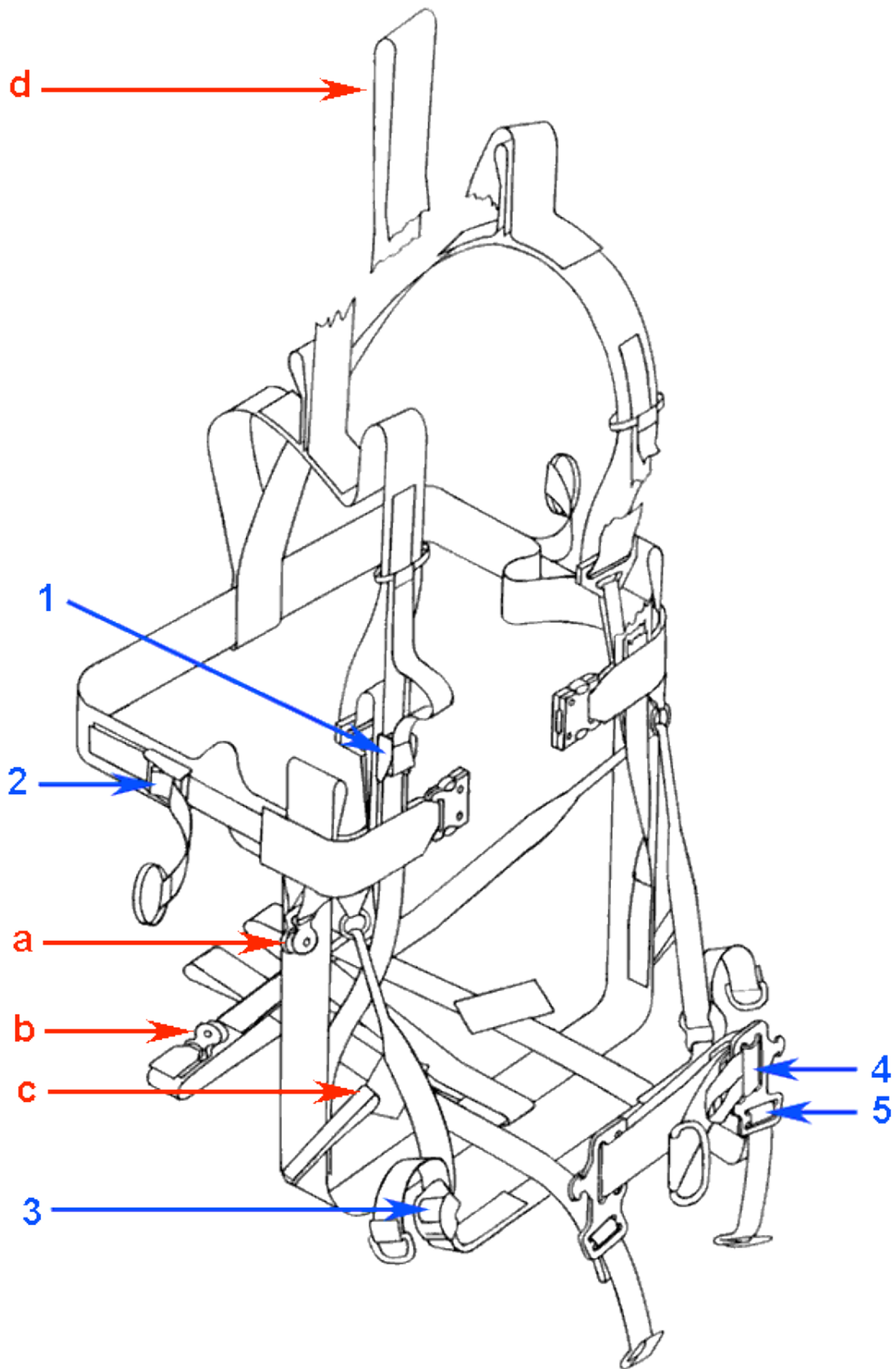
It is very important to ensure that your speed system is adjusted correctly before making your first flight with your new harness, and/or after making any changes or modifications to the system.

The best way to correctly adjust your speed system is to hang your harness from a suitable structure, which can support your weight. Attach your risers to the harness and sit in the harness while a friend holds the risers up to simulate a flying position. If the speed system is correctly adjusted, the speed bar will be situated approximately 10cm from the grommets (eyelets) at the front of the seat board. If you have added a second step to your speed bar, the upper bar can be situated much closer to the seat (approx. 2cm). Under no circumstances should the bar be closer to the seat. This will cause the cords to be tightened and will permanently apply the speed system during flight. It is also very important to check that the speed system is not applied when you rotate into a standing (as for take-off and landing) position. The 2cm of space above the upper step is to avoid the problems mentioned above.

The adjustment for systems using the chainlink/claps ([Standard](#), [Alternative 2](#), [Alternative 3](#), [Alternative 4](#)) system is done by shortening or lengthening the cord at the point where it meets the speed bar, or on some gliders (Non Apco) it is done at the point where the lower cords meet the chainlinks/clamps. Adjust the cords so that they correspond with the specifications above.

Adjustment of [Alternative 1](#), is normally done by moving the knot in the cord above where it emerges from the upper pulley-retaining loop in the riser. Adjust the system according to the above specifications.

Speed System Warning Once you have set up your speed system, make sure to test it in calm conditions, and never apply the speed system while close to the ground or in turbulent conditions.



Adjustments

The adjustment straps on the Finesse Plus has been simplified in a very economical way, giving you just as much comfort and possibilities as on previous Apco harnesses, while reducing weight and harness clutter - eliminating excessive amounts of straps and buckles. The harness adjustment geometry has changed in two major ways.

The first is the Floating seat board, which eliminates the need for the rear seat angle adjuster as found on the [Contour](#) and others in the [Apco Range](#).

The second major improvement and change is in the layout of the leg straps, which bears some resemblance to the later models of [Contour](#) and the [Silhouette](#) in that it is connected to the chest strap (for safety), but differs in that there are now only two buckles to close, completely locking the pilot into the harness instead of four buckles.

The paragraph/section numbering below refers to the labels in the diagram above.



1. The **Shoulder Strap** Adjusters are similar to most Apco Harnesses, differing only in the minor improvement, which prevents the free ends of the adjustment webbing from flapping around in the wind. These straps are best adjusted when standing with the chest/leg straps closed. Tighten the shoulder straps so that they are tight while standing upright. While in flight it is normal for these straps to be a little slack.



2. The **Back/Side Strap** Adjusters these are similar to previous Apco Harnesses. They are best adjusted while the harness is suspended from a suitable structure, before the first flight is made.



3. The **Seat Angle** Adjusters are connected to the floating seat webbing, and should be adjusted while seated in the suitably suspended harness before the first flight. Make sure that moving in and out of the harness is easy and comfortable once you have adjusted these straps. This adjustment will also influence the position.

4. The **Chest Strap** Adjustment can be made at any time during flight or before. It can be used in any setting between its minimum and maximum, without it changing the seating position. The primary function of adjusting this strap is the **ABS** semi cross-bracing. At a wide setting there is only a little cross bracing, giving maximum weight shift capabilities, while at the tightest setting it offers maximum cross-over stability, with



reduced weight-shift steering capabilities. The chest strap adjustment has a 1:2 reduction, making it easy to adjust while under tension, i.e. while flying.



5. The **Leg Straps** are incorporated into the [Chest Strap](#), and do not have separate buckles to close them, i.e. once the chest strap is closed, the leg straps are automatically closed along with it. They are easily adjusted on the ladder lock buckles on the chest strap. Adjust the leg straps while standing upright in the harness, after closing both the chest strap buckles. If the leg straps are on their longest setting and you cannot stand upright comfortably, the [shoulder straps](#) are too tight. It is preferable to have the leg straps short, and the shoulder straps longer. If the leg straps are too long, it will become difficult to rotate into a seated position after take-off.

Reserve Parachute



The Finesse Plus emergency parachute differs from previous Apco harnesses in that it is a side mounted system. This system has the advantage of being very easily accessible when you need it. In principle the assembly and fitting of the parachute into the harness is the same as most of the other Apco Harnesses. The installation must be done by a qualified person, and these instructions are only to serve as a guide to the proper fitting of your reserve. Remember that ultimately it is your responsibility to ensure that these instructions are followed correctly, and that your reserve will be working when you need it. After installation, it is recommended to do a test deployment while seated in the harness, suspended from a suitably strong structure. The reserve should be easy to remove from the neoprene flaps by pulling it out by the deployment handle. The [Deployment Handle](#) (46122) and [Deployment Bag](#) (44120) are the same as used on our Contour and Silhouette Harnesses, and some of our other products. This makes it very easy to transfer a reserve from another Apco harness or external container to the Finesse Plus Harness.

Reserve Assembly and Installation





Your harness is supplied with a deployment handle fitted in the correct way. Remove the handle by pulling it out of the elastic retainers. Attach the handle to the deployment bag (44120) supplied with your [Mayday](#) reserve parachute. If your Reserve is not already fitted inside the deployment bag, follow the instructions for doing this on the [Mayday](#) page.



If your reserve parachute is fitted/supplied in a non-Apco deployment bag, it is possible to install it into the Finnese Plus, provided that the deployment bag has at least one attachment point for the deployment handle. There should be no other handle fixed to the deployment bag, if there is one, it must be removed. The attachment point may be centrally located on the deployment bag. Attach the Deployment Handle to the Non-Apco Deployment Bag by simultaneously threading both the attachment loops of the handle through the attachment point on the deployment bag, then pass the handle through both of the attachment loops to make a (double) Larks-head-knot, fixing the deployment handle to one point by both attachment loops. It is necessary to remove the split ring from the one attachment loop, since it will not be used in this case.



loop, since it will not be used in this case.

Attach the reserve parachute bridle to the center of the harness bridle using a larks head knot, sealed with a heat shrink tube to keep it in place.

Place the deployment bag containing the reserve inside the neoprene reserve container of the harness, with the handle facing up as shown.

Take two short pieces of thin cord (i.e. glider line of approx. 40cm each, called "pull cords") and separately thread one through each of the white nylon closing loops attached to flap No.1.



Now close flap No.1 and No.2 over the reserve and thread the two pull cords through the grommet on flap No.2.



Next close flap No.3 over flaps No.2 and No.1, and thread the pull cords through the grommet attached to the webbing under flap No.3.



Close flap No.4 and thread the pull cords through the grommet on flap No.4. Make sure the reserve is correctly positioned in the container. It may be necessary to push the reserve down and to retighten the pull cords once or twice.



Fit the deployment handle to flap No.4 by pushing its ends (cable first) into the elasticized sleeves with the cables protruding on the other side. The webbing part of the handles should be pushed almost all the way into the elasticized sleeves (stop about 8-10mm before the opening where the cable is protruding).



Tighten the pull cords so that the nylon closing loops are protruding through the grommets and push one of the locking cables through one of the closing loops.



Feed the cable into the punched hole on flap No.4 and carefully remove the pull cord from the closing loop by moving it to a position under the cable and pulling it out slowly to avoid burning the closing loop or cable.



Now Push the second cable through the second closing loop and feed it into the punched hole on flap No.4.



Carefully remove the pull cord.



Close flap No.3 by passing it under the protective webbing and matching it to the closing velcro on flap No.4.



Neatly tuck all the corners of the first three flaps under each other and that of the the fourth flap.

Finally, do a test deployment to check that the reserve can easily be extracted from the container by the pilot while sitting in the harness, suspended from a suitable point.

The **Reserve Deployment** Once you have decided to deploy your reserve parachute, place both brake handles in your left hand. Look for the reserve handle and firmly take it with your right hand. Pull upwards on the handle to release the two locking cables and subsequently releasing the reserve from the neoprene harness container. You will now be holding the reserve closed inside the deployment bag, hanging from the deployment handle. Look for a clear area and throw the reserve away from you and the glider.

It is preferable but not absolutely essential to throw the reserve away from the direction of spin, and with the air stream passing you. This will speed up the deployment process.

Once the reserve has opened, immobilize your glider either by pulling it in completely, or by pulling the brakes, B or C lines to stall the glider. If you do not do this, the glider and the reserve will oppose each other and increase your sink-rate considerably, and there will be a increased chance of the two becoming entangled.

We recommend that if your glider is in a flat spin, if you have the necessary height, that you try to stop the spin (i.e. Full stall, B-Stall etc.) before deploying your reserve, since there is a much

greater danger of entanglement if you are in a flat spin. The fastest deployment will be if you are in a spiral.

Pilot Protection

The Finesse Plus has a pilot protection system, combining the usual airfoam type protector with a exterior lexan sheet which aids in spreading the load over the absorbing area of the airfoam. This is combined with a Polystyrene side impact protector on the left, and the side mounted reserve on the right, which doubles as a side impact protector, offers the maximum protection available to a paraglider pilot today.



The **Airfoam Protector** for the Finesse Plus was derived from the very successful Airfoam for the Silhouette and Contour Harnesses. It can be used with a additional Lexan sheet.



Due to the floating seat board system used in the Finesse, it is important to install the airfoam correctly, so as not to restrict the movement of the seat plate. The two velcro attachment straps must be matched perfectly with the velcro on the airfoam, leaving a open space between the airfoam and the pilots back. Only the Airfoam (47140) specifically designed for the Finesse should be used. It should be inserted through the main rear zip entrance to the harness and fixed in place with the two webbing velcro tabs and one patch of velcro centrally located higher up on the back on the webbing junction. The webbing strap in the upper rear section of the harness is not specifically for holding the airfoam in place, its main function being to hold the glider backpack in place in the upper section of the storage.



If you have the Full or Midi Lexan Sheet installed in your harness, it is not necessary to fit the small lexan sheet to the airfoam, but there is no reason (except the additional weight) not to do this.



Side Protector (47160L)

This item is fitted only on the left hand side of the harness, as the right hand side is protected by the side mounted reserve parachute. It is fitted by opening the zip running along the front of the harness below the seat board and attaching it to the velcro strip stitched to the inside of the side pocket.



Lexan Sheet

The Lexan sheet is available in two lengths for the Finesse Plus ; Full (47141F) or Midi (47141M).



The standard is with the full length sheet installed, and the Midi version can be used by pilots that experience difficulties with the head restriction given by the full length version during a reverse launch, especially if wearing a helmet that has a long spike on the rear.



To install the Lexan sheet, open the main zip running along the back of the harness and insert the sheet into the harness with the wide end towards the bottom/front of the harness. Make sure that the sheet is pushed all the way into the fabric pocket and then into the upper fabric sheath at the apex of the harness. While doing this, it will be necessary to bend the sheet into a S-Shape. Once the sheet is in the correct position, fix it into place with the velcro strap mid-way along its length. The Midi version is fitted in a similar fashion, the only difference being that the upper fabric pocket should be used to hold the lower end of the sheet in place i.e. The sheet does not reach all the way forward to the front of the seat board.

Storage Space

The Finesse Plus has ample storage space in its rear compartment, and has a large neoprene side pocket on the left hand side.



The **Main Back Compartment** is accessed through the top zip. This storage is most useful for articles that you will not need during your flight, i.e. your Glider Bag.



The **Side Pocket** is useful for items that you will need to access during your flight, i.e. Camera, Radio, Map, etc.

Packing your harness



In order to enjoy your harness for many years please pack it according to the following instruction:

1. Open top container zip.



2. Push top cover inside the top container.
3. Put your glider sitted inside the harness.
4. Buckle the harness.
5. Put the harness inside the bag.

WARNING !!!

DO NOT seat on the ground while wearing the harness.

Following the above folding and storage instructions will censure the longevity of few lexon plate and will prevent cracks and damages. Commonly the crack occurs in lexon plate when forcing it into s-shape by putting the weight of the body sitting on the ground in the harness before take off.



Accessories

Several Harness accessories are available for the Finesse Plus, if you have upgraded to the Finesse Plus from another Apco Harness, you will be able to use your accessories from your old harness on your Finesse Plus. All the Finesse Plus accessories are compatible with Apco's previous and current harnesses.



The **Foot Rest** (44015s).

Is really useful for improving your aerodynamic shape, improving the wheight shifting and taking the load off your feet



the weight shifting and taking the load on your feet.



The **WONDER STIRRUP** - 2 step integrated stirrup

Instead of using a main and second step it is recommended to use the revolutionary wonder stirrup that contains a stirrup and a second step, all in one.

When the WONDER STIRRUP is connected to the harness it's held in a position which allows the pilot to insert his foot into the second step easily without ever needing to leave the hands from the brake. This system increases safety of flight and glider speed range.



The **Radio Pocket** (44008s).

Inside the main back compartment of the Finesse, there is a "D"-Shaped plastic retainer, to which the radio pocket can be attached. Above it on the left shoulder, there is a neoprene patch which can be cut to enable you to pass a connection from your speaker-mike or headset to your radio.



The **Front Ballast Container** (46170)

Can be fitted to the front of the Finesse by clipping it into the flying (main) carabiners, where it hangs horizontally in front of the chest strap. The front ballast should only be fitted after putting on the harness and closing the chest/leg strap buckles.



Inside the main back compartment of the Finesse Top, there is a "D"-Shaped plastic retainer below/behind the left shoulder, to which you can attach your "**Camelbak**" or similar water container.

Do not attach a ballast container in this position, it will alter the center of gravity of the harness and your sitting position will change. We recommend installing a maximum of 2kg to this point.

Inspections

These can generally be divided into two kinds, namely: - short preflight inspections done before each flight and the more thorough inspections that are carried out periodically in order to ensure the airworthiness of the harness.

Preflight Inspections

- Paraglider is connected correctly and both carabiners secured by their locking mechanisms.

- There is no visible damage to the harness that could affect its airworthiness.
- The reserve parachute container is closed correctly with both locking cables in place.
- The deployment handle is inserted all the way into the elastic pockets.
- All pockets closed properly and all loose items tied down safely.
- Both quick lock buckles should operate and should be closed securely.
- All adjustable straps are set as you desire and symmetrical.

Periodic Inspections

The harness is inspected for airworthiness on every reserve repack, or if there are any signs of damage or wear to the harness structure. Inspect the harness after any crash or bad landing or takeoff where it could have been damaged. Also inspect the harness after long periods of storage, or if another pilot has used the harness not directly under your supervision (you never know what it has been through). Also inspect the harness if for any other reason there may be damage to it. In any case the harness must be thoroughly inspected every 12 months as a minimum. The points to check are as follows:

All webbing and straps are inspected for damage or wear and tear and repaired or replaced if necessary. Special attention should be paid to points where wear may not be easily seen such as the inside of the carabiner hook up points and the loops of webbing holding the quick lock buckles and also the various Kamet buckles and adjusters.

All sewing, sewing patterns and sewing lines are inspected and must be intact. Should any sewing show signs of un-raveling, wear or excess stress, it must be attended to before your next flight. A qualified person using the correct thread must carry out repairs.

Elastic retainer cords are inspected and replaced if necessary. Pay attention to the elastic sheath holding the reserve deployment handle in place. It must retain its elasticity and hold the handle properly in place.

All buckles must be in a safe working condition, including the carabiners, quick lock buckles and kamets.

The seat and back plates must be in one piece and without cracks.

All sub assemblies are in good condition. Take special care to inspect the parts that belong to the reserve container system.

Dirt can be cleaned off gently - you can use a damp rag or wash the harness with a mild soap. Make sure you remove all the sub assemblies, seat board, back plate, reserve parachute and foam padding etc. Drip-dry the harness in an open shady place.

Open the harness and inspect all interior parts, including the fabric, webbing straps, buckles, kamets, and all sewing.

If everything is found to be in an airworthy condition you can re-assemble the harness and pack the reserve, if not the necessary repairs must first be carried out before the harness can be approved and used. Remember that a seam that has started unraveling may go a long way before the next inspection!

All materials needed for repairs are obtainable through your dealer.

Maintenance and Repairs

By keeping your harness clean and airworthy you will prolong its life and retain a higher resale value, if you ever decide to upgrade it.

We have carefully selected the materials we use to provide you with a durable harness that will be able to give you years of use. By following some of the advice given below you can further extend the life of your harness and its accessories.

Follow all recommendations regarding inspections and maintenance in this manual.

Always keep the harness in a protective bag (glider bag) when not in use, and do not expose it to

UV rays unnecessarily. Sunlight will weaken the materials and cause fading of colours.

Never store the harness in a wet or damp location or if it or a part of it is wet or damp. First let it dry out completely. Store it away from direct sunlight, a dark place is best.

Avoid leaving your harness exposed to the elements while not flying, pack it away or at least cover it.

Wipe away any dirt and dust regularly. Do not allow dirt to settle permanently. Use a plastic bristle brush and a mild soap to clean it if necessary.

Do not drag or pull the harness on the ground, be especially careful on rocky areas.

Use a competent launch assistant when necessary. A failed takeoff is one of the most common times to damage a harness.

If you discover any damage on the harness you should make an effort to repair it as soon as possible. Even apparently minor damage can continue tearing or unraveling, complicating the repair or even becoming dangerous.

If any of the elastic retainers which keep the shoulder and leg straps in place wear out they can easily be replaced. You can obtain these or any other spare parts from any Apco dealer.

Any repair that involves reinforcing or replacement of vital parts of the harness should be carried out by a facility recommended by Apco. Some materials on the harness will wear out sooner than others.

Thank you for your patience in reading this manual - we would like to hear your comments and criticisms as you get used to your harness. This will help us to continue developing better products for you in the future.

Take Air