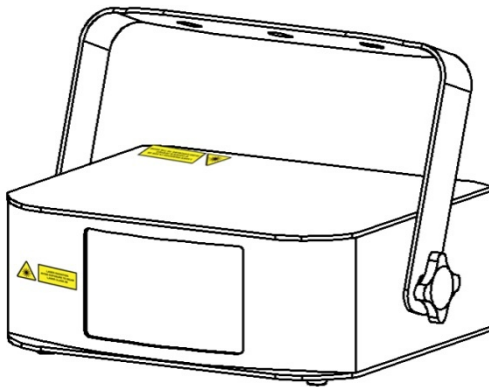




Stage Line[®]

LSE-32LRG



Version: 3.0

This manual contains important laser system safety and operation information. Read and understand all instructions prior to powering on laser unit the first time, to avoid laser eye injury and to avoid breaking the law. Keep this manual in a safe place for future reference.

WARNING DATA

Lasers can be hazardous and have unique safety considerations. Permanent eye injury and blindness is possible if lasers are used incorrectly. Pay close attention to each safety REMARK and WARNING statement in the user manual. Read all instructions carefully BEFORE operating this device.



Attention!

Indicates a skill or other useful information for special situations.



Important!

Indicates important information to protect personnel from laser incident or injury.



Caution!

Prevent damage or injury from incorrect operation.



Laser!

Laser safety warning labels.



Recycle

To protect the environment, recycle packing material wherever possible.



Indoor

The projector is for indoor use only, IP20. Use only in dry locations. Keep this device away from rain and moisture, excessive heat, humidity and dust. Do not allow contact with water or other fluids.



Disposal

Don't throw this product away just as general trash, please dispose of this product following the abandon electronic product regulations in your area.









Location

The projector must be installed in a location with adequate ventilation, at least 50cm (20 inches) from adjacent surfaces. Be sure that no ventilation slots are blocked.

LASER SAFETY WARNINGS



Potential laser injury hazard exists with this product! Read these instructions carefully, which includes important information about installation, safe use and service!

-  **Caution** Avoid direct eye contact with laser light. Never intentionally expose your eyes or others to direct laser light..
-  **Caution** This laser product can potentially cause instant eye injury or blindness if laser light directly strikes the eyes.
-  **Caution** It is illegal and dangerous to shine this laser into audience areas, where the audience or other personnel could get direct laser beams or bright reflections into their eyes.
-  **Caution** It is a US Federal offense to shine any laser at aircraft.
-  **Caution** There are no user serviceable parts inside the unit. Do not open the housing or attempt any repairs yourself. In the unlikely event your unit may require service, please contact the dealer nearest to you..
-  **Caution** Use of controls or adjustments or performance of procedures other than those specified herein may result in hazardous radiation exposure.

NON-INTERLOCKED HOUSING WARNING

This unit contains high power laser devices internally. Do not open the laser housing, due to potential exposure to unsafe levels of laser radiation. The laser power levels accessible if the unit is opened can cause instant blindness, skin burns and fires.

LASER SAFETY AND OPERATING INSTRUCTIONS



STOP AND READ ALL LASER SAFETY DATA



Laser Light is different from any other light source with which you may be familiar. The light from this product can potentially cause eye injury if not set up and used properly.

Laser light is thousands of times more concentrated than light from any other kind of light source. This concentration of light power can cause instant eye injuries, primarily by burning the retina (the light sensitive portion at the back of the eye). Even if you cannot feel “heat” from a laser beam, it can still potentially injure or blind you or your audience. Even very small amounts of laser light are potentially hazardous even at long distances. Laser eye injuries can happen quicker than you can blink.

It is incorrect to think that because these laser entertainment products split the laser into hundreds of beams or laser beam is scanned out in high speed, that an individual laser beam is safe for eye exposure. This laser product uses dozens of milliWatts of laser power (Class 3B levels internally). Many of the individual beams are potentially hazardous to the eyes.

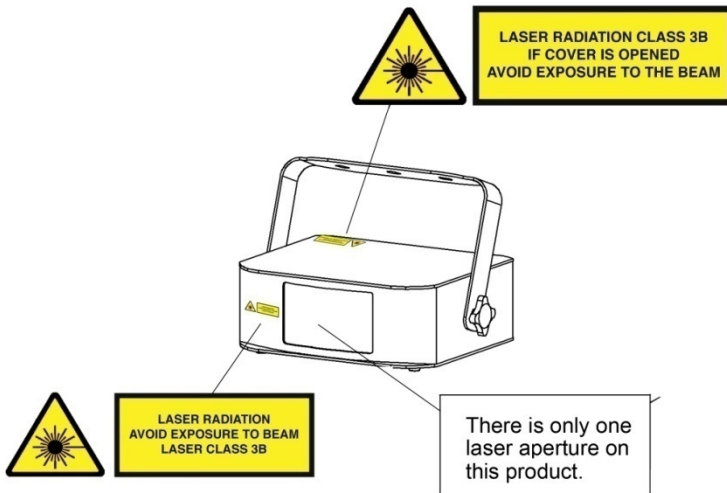
It is also incorrect to assume that because the laser light is moving, it is safe. This is not true. Nor, do the laser beams always move. Since eye injuries can occur instantly, it is critical to prevent the possibility of any direct eye exposure. In the laser safety regulation, it is not legal to aim Class 3B lasers in areas which people can get exposed. This is true even if it is aimed below people’s faces, such as on a dance floor.

- Do not operate laser without first reading and understanding all safety and technical data in this manual.
- Always set up and install all laser effects so that all laser light is at least 3 meters (9.8 feet) above the floor on which people can stand. See “Proper Laser Set-up & Usage” section later in this manual.
- After set up, and prior to public use test laser to ensure proper function. Do not use if any defect is detected. Do not use if laser emits only one or two laser beams rather than dozens/hundreds, as this could indicate damage to the diffraction grating optic, and could allow emission of higher laser levels.
- Do not point lasers at people or animals.
- Never look into the laser aperture or laser beams.
- Do not point lasers in areas in which people can potentially get exposed,

such as uncontrolled balconies, etc.

- Do not point lasers at highly reflective surfaces such as windows, mirrors and shiny metal. Even laser reflections can be hazardous.
- Never point a laser at aircraft, this is a federal offense.
- Never point un-terminated laser beams into the sky.
- Do not expose the output optic (aperture) to cleaning chemicals.
- Do not use laser if the laser appears to be emitting only one or two beams.
- Do not use laser if housing is damaged or open, or if optics appear damaged in any way.
- Never open the laser housing. The high laser power levels inside of the protective housing can start fires, burn skin and will cause instant eye injury.
- Never leave this device running unattended.
- The operation of a class 3B laser show laser is only allowed if the show is controlled by a skilled and well-trained operator familiar with the data included in this manual.
- The legal requirements for using laser entertainment products vary from country to country. The user is responsible for the legal requirements at the location/country of use.
- Always use appropriate lighting safety cables when hanging lights and effects overhead.

LASER SAFETY LABEL REPRODUCTIONS



LASER EXPOSURE WARNING



**LASER LIGHT
AVOID DIRECT EYE EXPOSURE**

Further guidelines and safety programs for safe use of lasers can be found in the ANSI Z136.1 Standard “For Safe Use of Lasers”, available from “www.laserinstitute.org”. Many local governments, corporations, agencies, military and others, require all lasers to be used under the guidelines of ANSI Z136.1. Laser Display guidance can be obtained via the International Laser Display Association, www.laserist.org.

LASER EMISSION DATA

Laser Classification	Class 3B
Green Laser Medium	DPSS Nd:YVO4, 532nm
Red Laser Medium	LD GaAlAs 650nm, typical
Beam Diameter	<5mm at aperture
Pulse Data	All pulses < 4Hz (>0.25sec)
Divergence (each beam)	<2mrad
Divergence (total light)	<160 degrees
Laser Power	Red>150mW, Green>40mW

* As measured under IEC measurement conditions for classification.

Note: The laser diode is exposed to extreme conditions due to the high output power and therefore only has a limited life. Like all wear parts, the laser diode is not subject to any guarantee claims.

LASER COMPLIANCE STATEMENT

According to the EN 60825-1 :1994 + A1 :2002+A2:2001 + COTT regulations, this laser fall under the classification 3B.Direct eye exposure can be dangerous.

GENERAL SAFETY INSTRUCTIONS

Every person involved with installation and maintenance of this device have to:

- Be qualified
- Follow the instructions of this manual

CAUTION! Be careful with your operations. With a high voltage you can suffer a dangerous electric shock when touching the wires!

This device has left out premises in absolutely perfect condition. In order to maintain this condition and to ensure a safe operation, it is necessary for the user to follow the safety instructions and warning notes written in this manual.



Important! The manufacturer will not accept liability for any resulting damages caused by the non-observance of this manual or any unauthorized modification to the device.

- Please consider that damages caused by manual modifications to the device are not subject to warranty.
- Never let the power-cord come into contact with other cables! Handle the power-cord and all connections with the mains with particular caution!
- Make sure that the available voltage is not higher than stated on the rear panel.
- Always plug in the power plug least. Make sure that the power-switch is set to off-position before you connect the device to the mains. The power-plug has to be accessed after installing the device.
- Make sure that the power-cord is never crimped or damaged by sharp edges. Check the device and the power-cord from time to time.
- Always disconnect from the mains, when the device is not in use or before cleaning it. Only handle the power-cord by the plug. Never pull out the plug by tugging the power-cord.
- It is essential to connect the yellow/green conductor to earth.
- The electric connection, repairs and servicing must be carried out by a

qualified employee.

- Do not switch the fixture on and off in short intervals as this would reduce the laser diode life.
- For replacement, please use fuses of same type and rating only.
- If the device has been exposed to drastic temperature fluctuation, do not switch it on immediately. The arising condensation water might damage your device. Leave the device switched off until it has reached room temperature.
- Do not shake the device. Avoid brute force when installing or operating the device.
- When choosing the installation-spot, please make sure that the device is not exposed to extreme heat, moisture or dust. There should not be any cables lying around. You endanger your own and the safety of others!
- The minimum distance between the fixture and surrounding walls must be more than 50cm.
- Always fix the fixture with an appropriate safety-rope. Fix the safety-rope at the safety-rope only.
- The ambient temperature must be between 10°C to 40°C.
- Please use the original packaging if the device is to be transported.
- Please consider that unauthorized modifications on the device are forbidden due to safety reasons!

CAUTION! Operate the device only after having familiarized with its functions. Do not permit operation by persons not qualified for operating the device. Most damages are the result of unprofessional operation!

CAUTION! If this device will be operated in any way different to the one described in this manual, the product may suffer damages and the warranty void.

BEFORE OPERATION

Unpacking Instructions

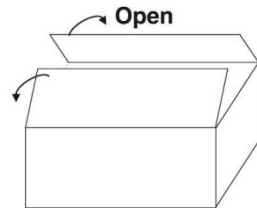


CAUTION! Immediately upon receiving a fixture, carefully unpack the carton, check the contents to ensure that all parts are present, and have been received in good condition. Notify the shipper immediately and retain packing material for inspection if any parts appear damage from shipping or the package itself shows signs of mishandling. Save the package and all packing materials. In the event that a fixture must be returned to the factory, it is important that the fixture be returned in the original factory box and packing.

What is included

The carton or flight case contain following items:

NAME	QTY
Laser Light	1 PCS
Keys (for key switch)	2 PCS
Power Supply	1 PCS
User Manual	1 PCS



Power Supply

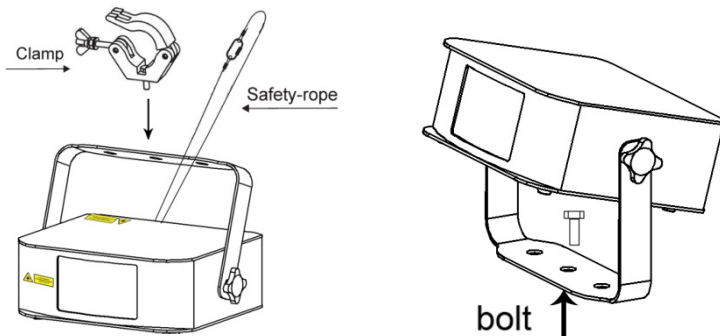
To determine the power requirements for a particular fixture, see the label affixed to the back plate of the fixture or refer to the fixture's specifications chart. A fixture's listed current rating is its average current draw under normal conditions. All fixtures must be powered directly off a switched circuit and cannot be run off a rheostat (variable resistor) or dimmer circuit, even if the rheostat or dimmer channel is used solely for a 0% to 100% switch. Before applying power to a fixture, check that the source voltage matches the fixture's requirement.

Rigging the Fixture

CAUTION: Please consider the respective national norms during the installation! The installation must only be carried out by an authorized employee or dealers!

- The installation of the fixture has to be built and constructed in a way that it can hold 10 times the weight for 1 hour without any harming deformation.
- The installation must always be secured with a secondary safety attachment, e.g. an appropriate catch net. This secondary safety attachment must be constructed in a way that no part of the installation can fall down if the main attachment fails.
- Make sure the area below the installation place is free from unwanted persons during rigging, de-rigging and servicing.
- The operator has to make sure that safety-relating and machine-technical installations are approved by an expert before taking into operation for the first time and after changes before taking into operation another time.
- The operator has to make sure that safety-relating and machine-technical installations are approved by a skilled person once a year.
- The fixture should be installed in the position where persons cannot reach and where persons may walk by or be seated.

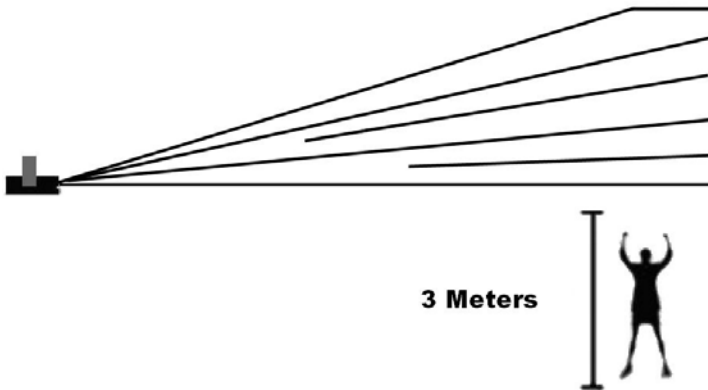
CAUTION: When installing the device, make sure there is no highly inflammable material (decoration articles, etc.) in between a distance of min 0.5 meter.



Proper Laser Set Up & Usage

This fixture has been designed to be hung. It is recommended for safety purposes, your lighting effect are properly mounted using a suitable hanging clamp and safety cable. Items appropriate for safe and effective mounting are easily sourced from your lighting vendor.

International laser safety regulations require that lasers must be operated in the fashion illustrated below, with a minimum of 3 meters (9.8 ft) of vertical separation between the floor and the lowest laser light vertically. Additionally, 2.5 meters of horizontal separation is required between laser light and audience or other public spaces.

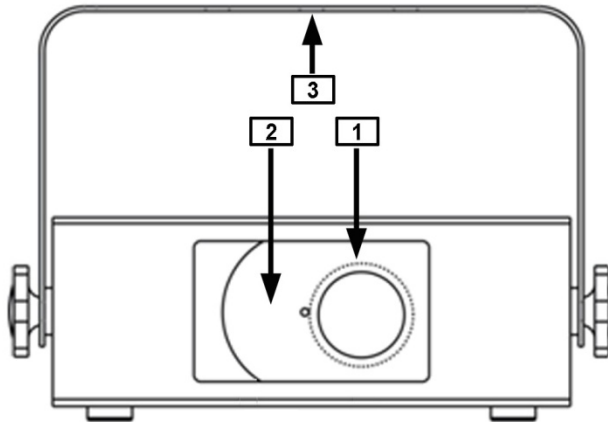


CAUTION: Use of controls, adjustments, or performance of procedures other than what is specified herein may result in hazardous radiation exposure

PRODUCT OVERVIEW

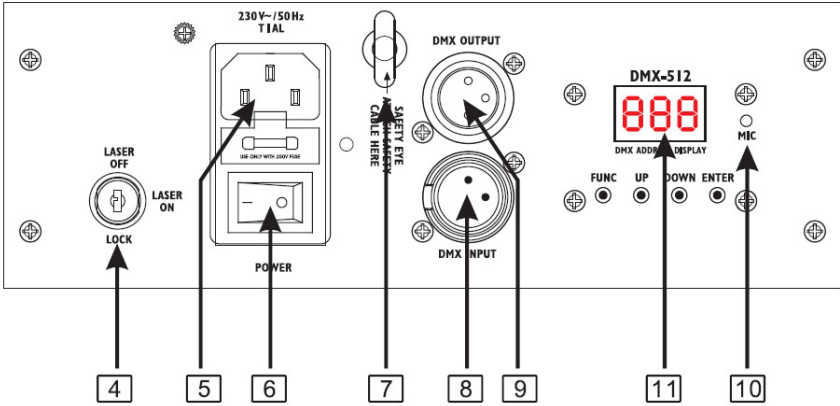
- This device has left out premises in absolutely perfect condition. In order to maintain this condition and to ensure a safe operation, it is necessary for the user to follow the safety instructions and warning notes written in this manual.
- The manufacturer will not accept liability for any resulting damages caused by the non-observance of this manual or any unauthorized modification to the device.

Front Panel



NO.	NAME	DESCRIPTION
1	LED Aperture	LED effect output aperture
2	Laser Aperture	Laser effect output aperture
3	Bracket	To fasten the fixture with mounting hook

Rear Panel



NO.	NAME	DESCRIPTION
4	Key Switch	To turn on and off the laser
5	Power Plug	AC 100~240V, 50/60Hz
6	Power switch	Switch on and off the power
7	Safety Eye	Used to attach a safety cable when the fixture is rigged. Check more details in RIGGING
8	DMX Input	3 pins male XLR connector
9	DMX Output	3 pins female XLR connector
10	MIC	To detect the music/sound signal
11	Control panel	To control the fixture with digital LED display, check more information on CONTROL & FUNCTION

CONTROL & FUNCTION

- Regular breaks during operation are essential to maximize the life of this device as it is not designed for continual use.
- Do not switch the unit on and off in short time intervals
- Always unplug the unit when it is not used for a longer time. Or before replacing the bulb or start servicing.
- In the event of serious operation problems, stop using the fixture and contact your dealer immediately.



Attention Laser will be output from laser aperture in 5 seconds after the unit is powered on.

Operating Mode

When laser is powered on, LED monitor on rear panel shows the current operating standalone mode or DMX address of DMX mode. With help of LED control panel, it is very easy to set and change the operating mode of laser. After every resetting and saved, the new mode information will be shown on LED monitor at next power on.



Mode/Function Option, to choose the operating mode of laser.

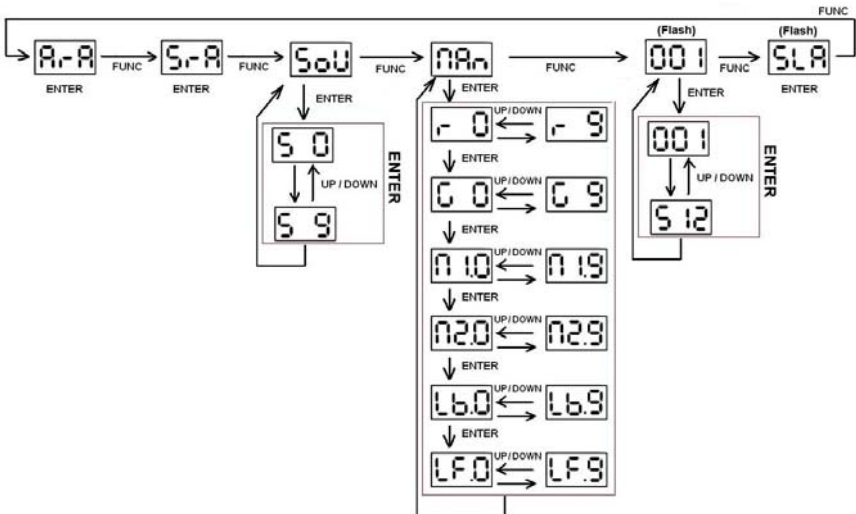


Confirmation, to confirm all setting or change of LED control panel.



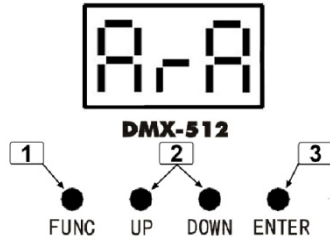
UP/DOWN, to change operating mode, parameter or DMX address.

Operation



Stand Alone Preprogram Laser Show

- Press FUNC to enter MODE OPTION.
- Till to LED panel shows either one of ArA, SrA, Sou
- Press FUNC to select your favorite Stand Alone mode as above.
- Press ENTER to confirm the setting.



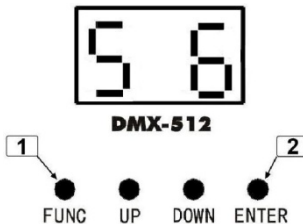
The laser is working in stand alone. Each time when you turn on your laser, you will have this confirmed laser show.

In the MODE OPTION setting, the stand alone laser show that you are going to choose is flashing. Press FUNC to change stand alone laser show, you will have 3 different stand alone preprogrammed laser show. Their DISPLAY and EFFECT are listed below:

DISPALY		STAND ALONE MODE PREPROGRAM EFFECT
ArA	ARA	Auto Running rAndom Effect
SrA	SRS	Slow Running rAndom Effect
Sou	SOU	Sound Activated Moving Effect

Sound Activated Sensitivity Setting

In the MODE setting, press ENTER to confirm Sou (Sound Activated Mode), the setting manual goes into Sound Activated Sensitivity Setting. LED display S 0 ~ S 9. Press UP / DOWN to take your favorite Sensitivity Level. S 0 is no sound activated, from S 1 to S 9, the sensitivity level is going more sensitive. Press ENTER to confirm the setting.



Manual Running Mode (MAN)

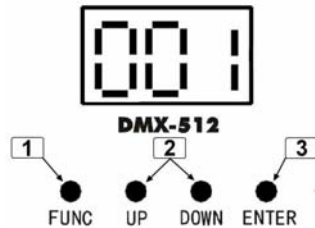
Press FUNC, until MAN is shown in LED display panel. Press ENTER to confirm MAN mode setting. Once MAN mode is confirmed by press ENTER, the setting goes into 6 specification setting. Every pressing ENTER, it goes into next specification setting, until MAN is shown again. There 6 specification setting are listed below:

NO.	DISPALY	DESCRIPTION
1	R 0~R 9	Red laser strobe frequency, fast -> slow.
2	G 0~G 9	Green laser strobe frequency, fast -> slow.
3	M10~M19	Laser Dots moving speed, slow -> fast.
4	M20~M29	Blue LED effect moving speed, slow -> fast
5	LB0~LB9	LED brightness setting, dark -> bright
6	LF0~LF9	LED strobe frequency, fast -> slow

DMX MODE

- Press FUNC to enter MODE OPTION
- Till to LED panel shows 001.
- Press ENTER to confirm the setting.

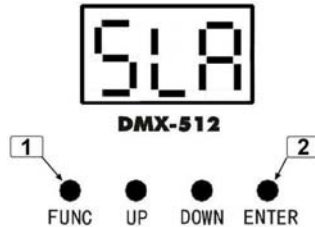
The laser is working in “DMX MODE”. With help of UP/DOWN button, it could be easily change the DMX address of the laser.



MASTER/SLAVE MODE

- Press FUNC to enter MODE OPTION
- Till to LED panel shows SLA
- Press ENTER to confirm the setting.

The laser is working in “SLAVE MODE”. Connect MASTER laser and SLAVE lasers with DMX cable, the SLAVE lasers do what exactly MASTER laser does. Check “5.2 DMX connection” to have more details about laser connection.



DMX PROTOCOL

CHANNEL	VALUE	FUNCTION
CH 1 MODE	000-051	LASER BACK OUT
	052-102	ARA, Auto Running rAndom Effect
	103-154	SRA, Slow Running rAndom Effect
	155-206	SOU, Sound Activated Moving Effect
	207-255	DMX mode
CH 2 RED STROBE	000-004	Blackout
	005-127	Red laser on
	128-254	Red laser strobe frequency, fast -> slow.
	255-255	Strobe to sound
CH 3 GREEN STROBE	000-004	Blackout
	005-127	Green laser on
	128-254	Green laser strobe frequency, fast -> slow.
	255-255	Strobe to sound
CH 4 EFFECT ROLLING	000-004	No function
	005-127	Clockwise rotation (slow-fast)
	128-133	Stop
	134-255	Counterclockwise rotation (slow-fast)
CH 5 LED power	000-004	Blackout
	005-255	LED brightness setting, dark -> bright
CH 6 LED STROBE	000-004	Blackout
	005-127	LED on
	128-254	LED strobe frequency, fast -> slow.
	255-255	Strobe to sound

MAINTENANCE

- Make sure the area below the installation place is free from unwanted persons during servicing
- Switch off the fixture, unplug the mains cable and wait until the unit has been cooled down.
- Housings, fixations and installations spots(ceiling, truss, suspensions) should be totally free from any deformation
- The mains cables must be in impeccable condition and should be replaced immediately when even a small problem is detected
- In order to protect the fixture from overheat the cooling fans (if any) and ventilation openings should be cleaned monthly.
- The cleaning of aperture glass and scanner mirrors must be carried out periodically to optimize light output. Cleaning frequency depends on the environment in which the fixture operates: damp, smoky or particularly dirty surroundings can cause greater accumulation of dirt on the unit's optics
 - 1) Clean with a soft cloth using normal glass cleaning products.
 - 2) Always dry the parts carefully.
 - 3) Clean the Aperture glass at least once every 30 days
- The interior of the fixture should be cleaned annually using a vacuum cleaner or air-jet.

ATTENTION: We strongly recommend internal cleaning to be carried out by qualified worker!

TROUBLE SHOOTING

Following are a few common problems that may occur during operation. Here are some suggestions for easy troubleshooting:

- The fixture does not work, no laser and the fan does not work.
 - 1) Check the connect power.
 - 2) Measure the mains voltage on the main connector.
 - 3) Check the power on indicated LED.

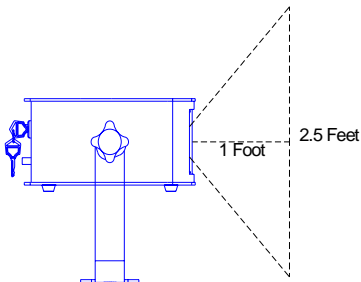
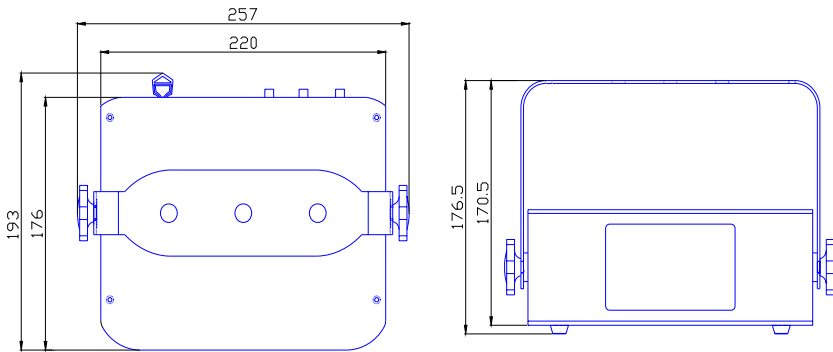
- The fixture is power on, but no laser coming out from aperture.
 - 1) Check the laser aperture cover.
 - 2) Check the key switch.
 - 3) Check the remote interlock or interlock connector.
 - 4) Wait for at least 30 minutes to warm up in low temperature.

- The laser effect power is very weak.
 - 1) Wait for at least 30 minutes to warm up in low temperature.
 - 2) Clean the scanner mirror with alcohol.
 - 3) Clean the aperture glass with alcohol.

- The laser is on, but the pattern is not moving.
 - 1) Try to change the fixture to another stand alone mode.

SPECIFICATIONS

Mains Input:	AC 100~240V, 50/60Hz
Total Power:	15 W
Laser Power:	40mW 532nm Green CW 150mW 650nm Red CW
DMX CHANNEL:	5 CHs
Laser Classification:	Class 3B
Laser Safety Standard:	EN60825-1 2007
Condition Temperature:	10~40°C
LED Power:	5W
LED Wavelength:	455nm
Measurement:	See diagram below
N Weight:	1.6 Kg



Specifications subject to change without prior notice.

The availability of particular products may vary by region. Please check with the dealer.



D A CH

Wichtige Sicherheitshinweise

Dieses Gerät ist der Laserklasse 3B zugeordnet.

WARNUNG



Die zugängliche Laserstrahlung ist gefährlich für das Auge, häufig auch für die Haut. Das direkte Blicken in den Strahl bei Lasern der Klasse 3B ist gefährlich. Ein Strahlbündel kann unter Umständen sicher über einen diffusen Reflektor betrachtet werden.

- Für den Betrieb eines Lasers der Klasse 3B muss ein Laserschutzbeauftragter vom Unternehmer schriftlich bestellt werden und während des Betriebs anwesend sein (Berufsgenossenschaftliche Vorschrift BGV B2).
Laserschutzbeauftragte müssen ausreichende Fachkunde besitzen!
- Für Laser der Klasse 3B ist eine Abnahme erforderlich!

GB

Important Safety Notes

This unit is classified as a class 3B laser product.

WARNING



The accessible laser radiation is hazardous to the eye, also frequently to the skin. It is hazardous to look directly into the beam of class 3B lasers. It may be possible to view a beam safely via a diffusing reflector.

- When using a class 3B laser, the employer has to appoint a laser safety officer in writing who has to be present during operation (BGV B2 = German Accident Prevention & Insurance Association regulation B2).
Laser safety officers must have the requisite qualification!
- An approval is required for class 3B lasers!

F B CH

Conseils importants de sécurité

Cet appareil est classé comme produit répondant à la classe laser 3B.

AVERTISSEMENT



Le rayonnement laser accessible est dangereux pour les yeux, souvent aussi pour la peau. Regarder directement dans le faisceau de lasers de classe 3B est dangereux. Eventuellement, il n'est pas dangereux de regarder un faisceau via un réflecteur diffuseur.

- Pour le fonctionnement d'un laser de classe 3B, un responsable pour la sécurité laser doit être désigné par écrit par l'employeur, il doit être présent pendant le fonctionnement du produit (réglementation allemande de la prévention des accidents et association d'assurances BGV B2).
Le responsable de la sécurité laser doit avoir les qualifications requises!
- Pour des lasers de classe 3B, une autorisation est nécessaire!

I

Importanti avvertenze di sicurezza

Questo apparecchio è assegnato alla classe laser 3B.

AVVERTIMENTO



La radiazione accessibile del laser è pericolosa per l'occhio, spesso anche per la pelle. Guardare direttamente nel raggio è pericoloso nel caso dei laser della classe 3B. Un fascio di raggi può essere guardato eventualmente con sicurezza per mezzo di un riflettore diffuso.

- Per l'impiego di un laser della classe 3B, l'imprenditore deve nominare per iscritto un tecnico di sicurezza laser che deve essere presente durante l'uso (norma della Cassa previdenza contro gli infortuni sul lavoro BGV B2).
I tecnici di sicurezza laser devono possedere delle conoscenze sufficienti della materia!
- Per i laser della classe 3B è obbligatorio un collaudo!

NL B

Belangrijke veiligheidsinstructies

Dit apparaat is ingedeeld in de laserklasse 3B.

WAARSCHUWING



De toegankelijke laserstraling is heel gevaarlijk voor het oog en vaak ook voor de huid. Rechtstreeks in de straal kijken van klasse 3B-lasers is gevaarlijk. Een stralenbundel kan eventueel veilig via een diffuse reflector worden bekeken.

- Voor het gebruik van laserapparatuur klasse 3B moet er een laserveiligheidsverantwoordelijke schriftelijk worden aangesteld door de onderneming, en moet hij of zij tijdens het bedrijf aanwezig zijn (voorschrift BGV B2 van de Duitse beroepsvereniging).
Laserveiligheidsverantwoordelijken moeten over voldoende deskundigheid beschikken!
- Voor laserapparatuur klasse 3B is een keuring vereist!

Laserstrahlung

Nicht dem Strahl aussetzen

Laser Klasse 3B

Nach DIN EN 60825-1:2007

Laser Radiation

Avoid exposure to the beam

Class 3B laser

According to DIN EN 60825-1:2007

Rayonnement laser

Eviter toute exposition au faisceau

Laser Classe 3B

Selon DIN EN 60825-1:2007

Radiazione laser

Non esporsi al raggio

Laser classe 3B

Secondo DIN EN 60825-1:2007

Laserstraling

Vermijd blootstelling aan de straal

Laserklasse 3B

Conform DIN EN 60825-1:2007

**E**

Notas de Seguridad Importantes

Este producto está clasificado como láser de clase 3B.

ADVERTENCIA

La radiación láser a la que se puede acceder es peligrosa para el ojo humano y a menudo también para la piel. Es peligroso mirar directamente hacia el haz de un láser de la clase 3B. Existe la posibilidad de ver un haz con seguridad mediante un reflector de difusión.

- Cuando se utiliza un láser de la clase 3B, el dueño tiene que designar por escrito un encargado para la seguridad del láser que deberá estar presente siempre durante el funcionamiento (BGV B2 = Regulación B2 de la Asociación de Aseguradoras y Prevención de Accidentes Alemana). ¡Los encargados de la seguridad láser deben tener la cualificación necesaria!
- ¡Se necesita una autorización para un láser de la clase 3B!

PL

Środki bezpieczeństwa

Urządzenie należy do 3B klasy laserów.

UWAGA

Wiązka laserowa jest bardzo szkodliwa dla ludzkiego oka, a czasem również skóry. Patrzenie bezpośrednio na wiązkę lasera klasy 3B może być niebezpieczne. W razie konieczności wykorzystaj reflektory rozpraszające.

- Podczas wykorzystywania laserów klasy 3B, należy zapoznać się z obowiązującymi dyrektywami (w Niemczech: BGV B2 = German Accident Prevention & Insurance Association regulation B2). Osoby obsługujące urządzenia laserowe muszą posiadać odpowiednie kwalifikacje!
- Stosowanie laserów klasy 3B wymaga zezwolenia!

DK

Vigtige sikkerhedsanvisninger

Denne enhed er klassificeret som en class 3B laser.

ADVARSEL

Laserstråling er skadelig for øjne og hud. Det er skadeligt, at kigge direkte ind i laserstrålen, på en class 3B laser. Stråler er ikke skadelige, hvis der er monteret en reflekterende diffusor.

- Når en class 3B laser benyttes, skal en sikkerhedsansvarlig person skriftligt være udpeget og denne skal altid være tilstede under brugen af laseren. (BGV B2). Den sikkerhedsansvarlige person skal have den nødvendige uddannelse!
- En class 3B laser kræver særlig godkendelse fra myndighederne!

S

Viktig säkerhetsinformation

Denna enhet är klassad som en class 3B laser produkt.

VARNING

Den åtkomliga laserstrålningen är farligt för ögat, och även ofta för huden. Det är farligt att titta direkt in i strålen av class 3B laser. Det kan vara möjligt att titta på en laserstråle på ett säkert sätt via en diffunderande reflektor.

- När du använder en class 3B laser, ska arbetsgivaren skriftligen utse en tjänsteman för lasersäkerhet som måste vara närvarande under drift (BGV B2 = German Accident Prevention & Insurance Association regulation B2). Laserskyddsombud ska ha erforderlig kompetens!
- Ett godkännande krävs för class 3B laser!

FIN

Turvallisuudesta

Tuote on luokiteltu 3B-luokan laserlaitteeksi.

HUOMIO

Lasersäteilyllä altistuminen on haitallista silmille ja usein toistettuna myös iholle. On haitallista katsoa suoraan 3B-luokan lasersäteeseen. Saattaa olla mahdollista katsoa sädettä turvallisesti tummennetun lasin kautta.

- 3B-luokan laserin turvallisesta käytöstä vastaava henkilö on nimettävä kirjallisesti, ja hänen on oltava paikalla laitetta käytettäessä (vakuutusyhtiöiden vastuuvakuutusäännös BGV B2). Laserin käytöstä vastaavalla henkilöllä on oltava tarvittava pätevyys!
- 3B-luokan lasereille vaaditaan hyväksyntä!

Radiación Láser

Evite la exposición al haz

Láser de la clase 3B

Según la DIN EN 60825-1:2007

Promieniowanie laserowe

Unikać kontaktu z promieniami

Klasa lasera: 3B

Zgodnie z DIN EN 60825-1:2007

Laserstråling

Undgå kontakt med laserstrålerne

Class 3B laser

DIN EN 60825-1:2007

Laserstrålning

Undvik exponering från laserstrålen

Klass 3B laser

Enligt DIN EN 60825-1:2007

Lasersäteily

Vältä altistumista säteelle

3B-luokan laser

DIN EN 60825-1:2007 mukaan