

SCENA COMPACT

Discharge Lamp PC - FRESNEL 35-70-150W



CE Made in Italy

User Manual Rel. 1.1

Le informazioni contenute in questo documento sono state attentamente redatte e controllate. Tuttavia non è assunta alcuna responsabilità per eventuali inesattezze. Tutti i diritti sono riservati e questo documento non può essere copiato, fotocopiato, riprodotto per intero o in parte senza previo consenso scritto della D.T.S .

D.T.S si riserva il diritto di apportare senza preavviso cambiamenti e modifiche estetiche , funzionali o di design a ciascun proprio prodotto. D.T.S non assume alcuna responsabilità sull'uso o sull'applicazione dei prodotti o dei circuiti descritti.

The information contained in this publication has been carefully prepared and checked. However, no responsibility will be taken for any errors. All rights are reserved and this document cannot be copied, photocopied or reproduced, in part or completely, without prior written consent from D.T.S. D.T.S. reserves the right to make any aesthetic, functional or design modifications to any of its products without prior notice. D.T.S. assumes no responsibility for the use or application of the products or circuits described herein.

Les informations contenues dans le présent manuel ont été rédigées et contrôlées avec le plus grand soin. Nous déclinons toutefois toute responsabilité en cas d'éventuelles inexactitudes. Tous droits réservés. Ce document ne peut être copié, photocopié ou reproduit, dans sa totalité ou partiellement, sans le consentement préalable de D.T.S.

D.T.S. se réserve le droit d'apporter toutes modifications et améliorations esthétiques, fonctionnelles ou de design, sans préavis, à chacun de ses produits. D.T.S. décline toute responsabilité sur l'utilisation ou sur l'application des produits ou des circuits décrits.

Las informaciones contenidas en este documento han sido cuidadosamente redactadas y controladas. Con todo, no se asume ninguna responsabilidad por eventuales inexactitudes. Todos los derechos han sido reservados y este documento no puede ser copiado, fotocopiado o reproducido, total o parcialmente, sin previa autorización escrita de D.T.S.

D.T.S. se reserva el derecho a aportar sin previo aviso cambios y modificaciones de carácter estético, funcional o de diseño a cada producto suyo. D.T.S. no se asume responsabilidad de ningún tipo sobre la utilización o sobre la aplicación de los productos o de los circuitos descritos.

1- TECHNICAL FEATURES

SCENA COMPACT is a new range of small and lightweight projectors fitted with a discharge lamp, ideal for use in theatres, showrooms, shops, museums, churches, trade fairs, conferences, etc.

SCENA COMPACT models offer an elegant and compact design and a choice of different finishes for easy installation even in the most refined settings.

SCENA COMPACT is available with PC or Fresnel lenses

SCENA COMPACT offers a series of high-level operating features neatly fitted into an extremely small space.

SCENA COMPACT is available in 3 models: 150W, 70W or 35W, with built-in ballast.

SCENA COMPACT PC 35W (Cod. 03.TS007.A)

PC lens Ø 90mm • 35W discharge lamp • Black colour

SCENA COMPACT FR 35W (03.TS007.F)

Fresnel lens Ø 112mm • 35W discharge lamp • Black colour

SCENA COMPACT PC 70W (Cod. 03.TS006.A)

PC lens Ø 90mm • 70W discharge lamp • Black colour

SCENA COMPACT FR 70W (Cod. 03.TS006.F)

Fresnel lens Ø 112mm • 70W discharge lamp • Black colour

SCENA COMPACT PC 150W (Cod. 03.TS005.A)

PC lens Ø 90mm • 150W discharge lamp • Black colour

SCENA COMPACT FR 150W (Cod. 03.TS005.F)

Fresnel lens Ø 112mm • 150W discharge lamp • Black colour

Construction

Extremely compact and lightweight

Steel housing with aluminium edge profiles

Front-box for filter frame and barn door with locking system

Internal ventilation labyrinth

Removable cover for easy access to lamp

Reversible yoke for using the projector in any position

Finishings

Black, White (RAL 9003), Grey (RAL 9006) or other colours on demand

Safety

Frontal protection grille (removable)

Heat insulated knobs and handles

Optical unit

PC lens Ø 90mm or Fresnel lens Ø 112mm

Focal adjustment from 20° to 40° with precision movement on a double track

Spherical reflector in polished and treated 99.9% aluminium.

Lampholders

G12 for discharge lamps (150W / 70W / 35W);

Power supply

Built-in ballast 230V 50/60Hz (discharge lamp models)

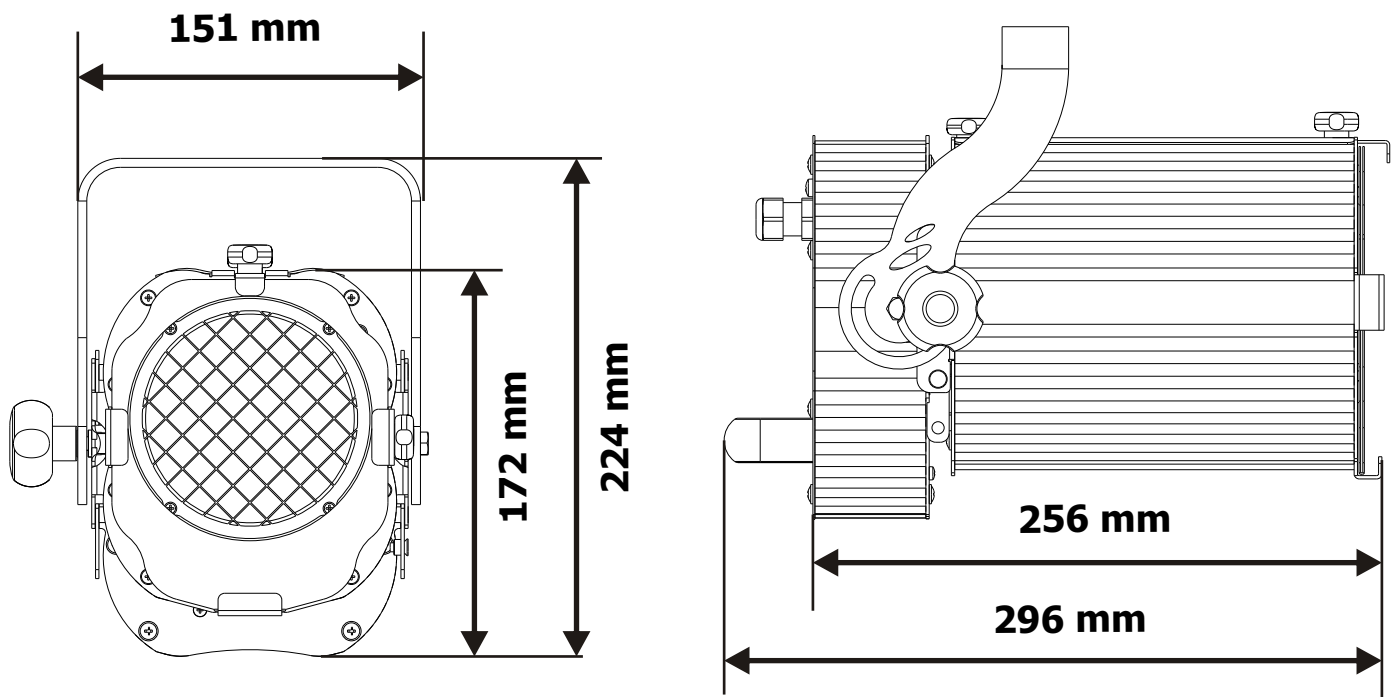
230V 50/60 Hz (halogen lamp model)

1- TECHNICAL FEATURES

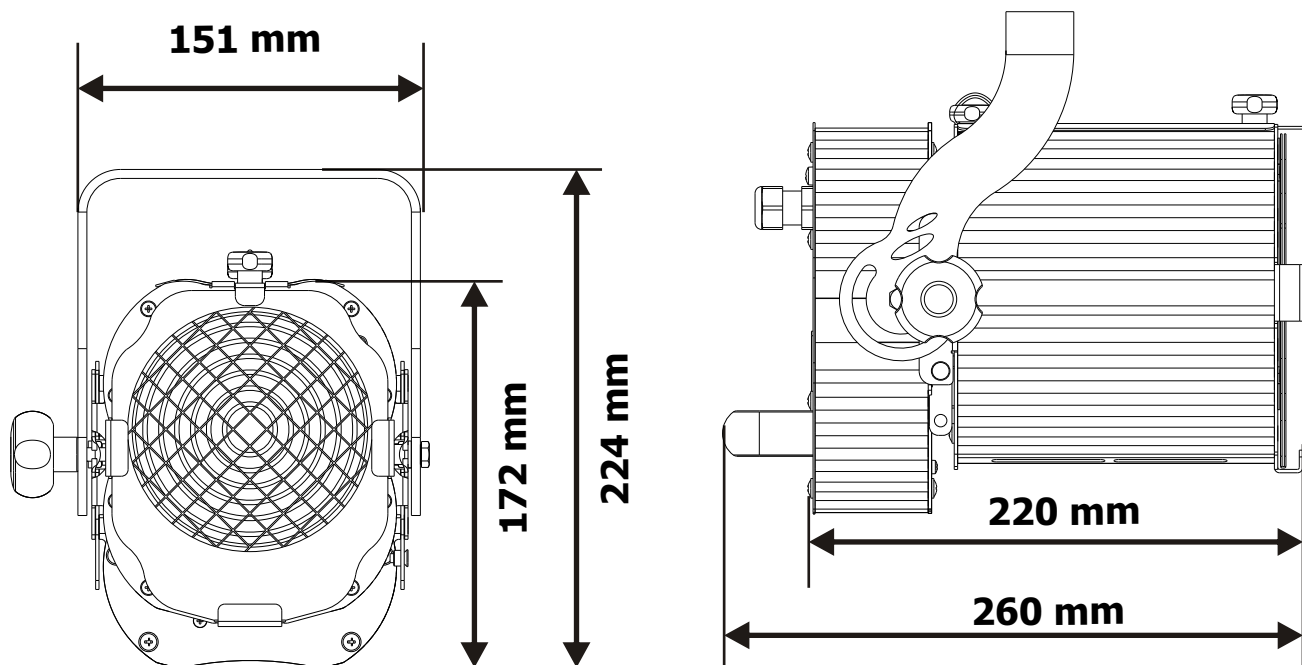
ACCESSORIES

- Barn-door, black finishing (Cod. 03.TA206)
- "C" Clamp G30 black (max. load 5Kg) (cod. 0521A020)
- "C" Clamp G30 chrome (max. load. 5Kg) (cod. 0521A020.20)
- Safety wire (3mm x 60 cm), ring spring catch (max. load 60Kg) (cod. 0521A010)
- CDM-T150/832 (MCD 150W) discharge lamp (Cod. 0505S003.1)
- CDM-SA/T 150/942 discharge lamp (Cod. 0505S003)
- HSD 150W discharge lamp (Cod. 0505S003.2)
- Gel filters

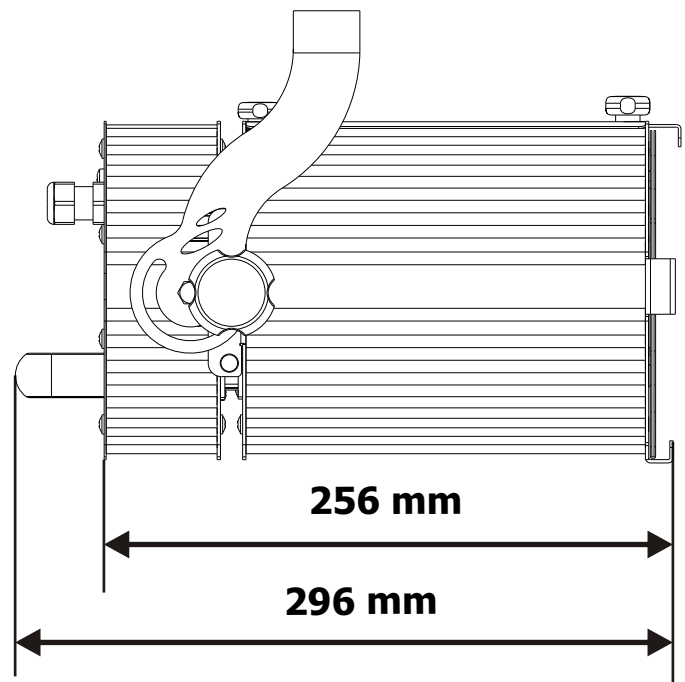
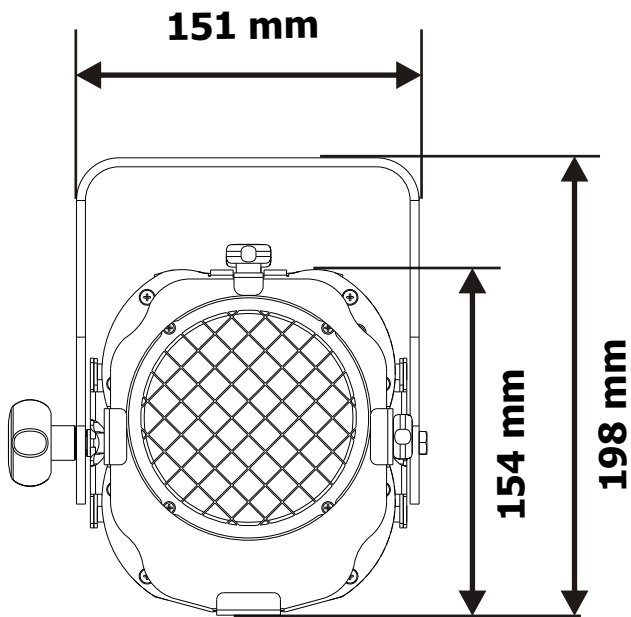
SCENA COMPACT PC DISCHARGE LAMP 150W



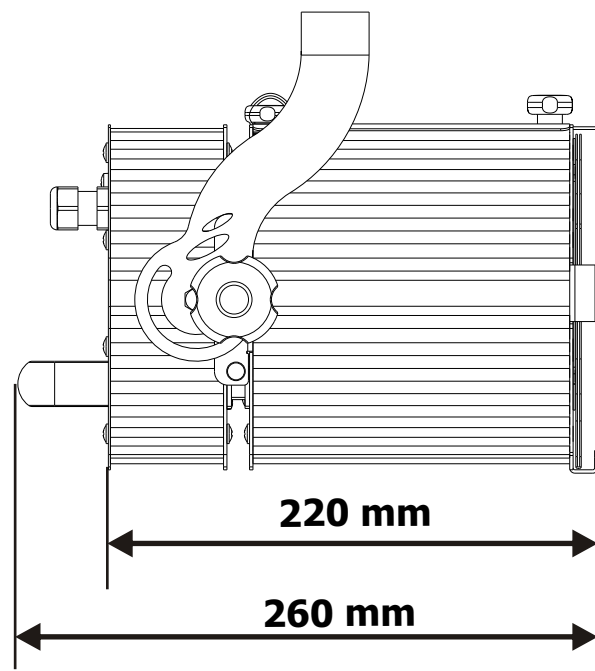
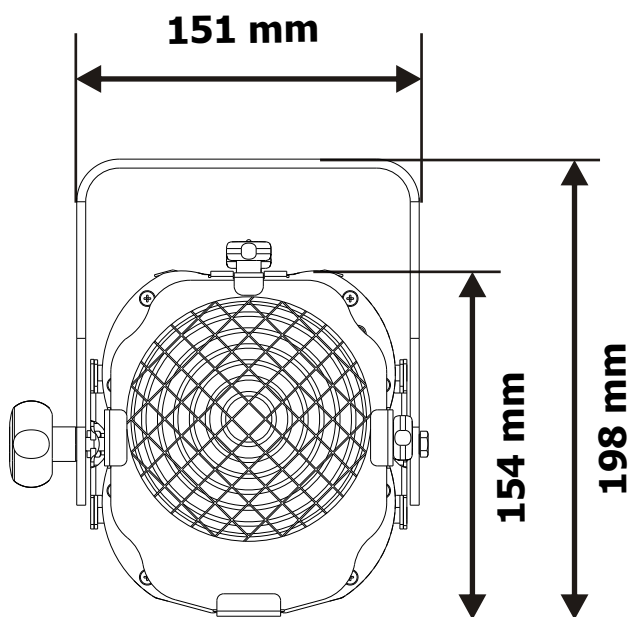
SCENA COMPACT FR DISCHARGE LAMP 150W



SCENA COMPACT PC DISCHARGE LAMP 35 - 70 W



SCENA COMPACT FR DISCHARGE LAMP 35 - 70 W



2- IMPORTANT SAFETY INFORMATION

Fire prevention:

- Never locate the fixture on any flammable surface.
- Minimum distance from flammable materials: 10 CM.
- Minimum distance from the closest illuminable surface: 30 CM.
- Connect the projector to mains power via a thermal magnetic circuit breaker.

Prevention of electric shock:

- High voltage is present inside the unit. Unplug the unit prior to performing any function which involves touching the inside, including lamp replacement.
- A good earth connection is essential for proper functioning of the projector.
- Never connect the unit without proper earth connection.
- The fixture should be located in places with a good air ventilation.

Protection against ultraviolet radiation:

- Never turn on the lamp if the front lenses is damaged. His respective shielding function will only operate efficiently if it is in perfect working order.
- Never look directly the lamp when it is on.

Safety:

- The projector should always be installed with bolts, clamps and other tools that are capable of supporting the weight of the unit.
- Always use a second safety cable to sustain the weight of the unit in case of the failure of the main fixing point.
- The external surface of the unit, at various points, may exceed 70°C. Never handle the unit until at least 10 minutes have elapsed since the lamp was turned off.
- Always replace the lamp if any physical damage is evident.
- Never install the fixture in an enclosed area lacking sufficient air flow. The ambient temperature should not exceed 40°C.
- A hot lamp may explode, so always wait for at least 10 minutes prior to attempting to replace the lamp.
- Always wear suitable hand protection when handling the lamp.

Level of protection against the penetration of solid and liquid objects:

- The projector is classified as an ordinary appliance and its protection level against the penetration of solid and liquid objects is IP 20.
- The projector contains electric and electronic components which should under no circumstances come into contact with oil, water or any other liquid. The proper unit functioning would be compromised should this occur.

MAINS CONNECTION

SCENA COMPACT with discharge lamp operates at 230 VOLT 50-60 Hz.

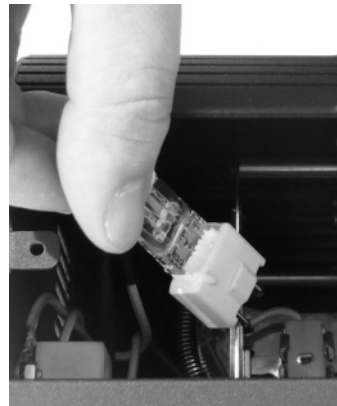
Prior to connecting the unit to your mains supply, ensure that the model in your possession correctly matches the mains supply available. For connection purposes, ensure that your plug is capable of supporting 1,5 amps at 230V,

Protection

The use of a thermal magnetic circuit breaker is recommended for each unit.
A good earth connection is essential for the correct operation of the projector.

MOUNTING THE LAMP

1): Loose the screw located on the top side of the unit.



2) Open the top cover and insert the lamp.

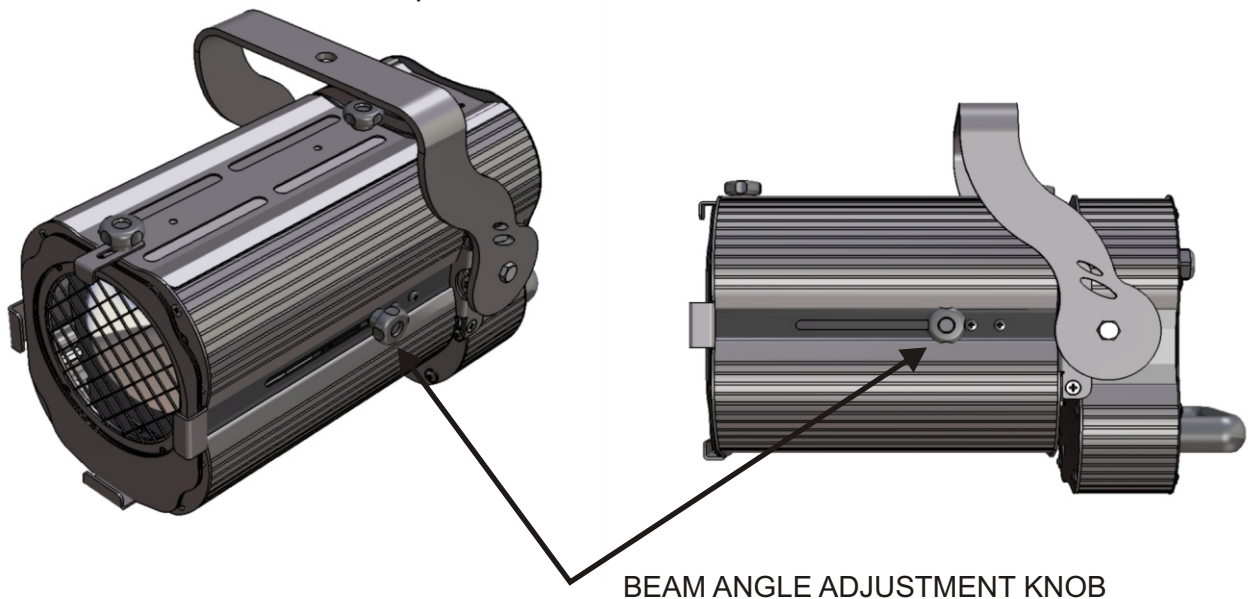
The lamp used is manufactured from quartz glass and should be handled with care. Always adhere to the instructions supplied in the lamp's packaging. Never touch the glass directly but use the tissue provided in the lamp's packaging. The G12 lampbase is symmetrical.

DO NOT USE UNDUE FORCE ON THE GLASS. In case of difficulty, re-read the instructions and repeat the procedure.

Close the cover and replace the screw. No lamp alignment needed

BEAM ANGLE ADJUSTMENT

Focal adjustment from 20° to 40° with precision movement on a double track



PERIODIC CLEANING

Even a fine layer of dust can reduce the luminous output substantially. Regularly clean all lenses and the reflector using a soft cotton cloth, dampened with a specialist lens cleaning solution.

PERIODIC CONTROLS

The lamp should be replaced if there is any visible damage or deformation due to heat. This will help to avoid the danger of the lamp exploding.

Periodically check all mechanical parts. Periodically check the lubrication of all components, particularly the parts subject to high temperatures. If necessary, lubricate with suitable lubricant, available from your D.T.S. distributor.

Check all electrical components for correct earthing and proper connection of all connectors, refastening if necessary.

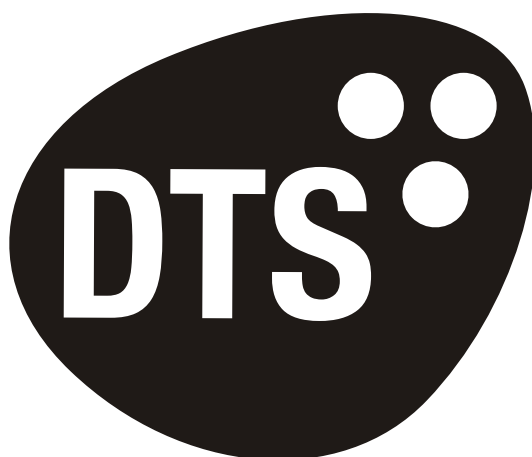
Attention

Disconnect mains power prior to removing the projector housing.

The information contained in this publication has been carefully prepared and checked. However, no responsibility will be taken for any errors. All rights are reserved and this document cannot be copied, photocopied or reproduced, in part or completely, without prior written consent from D.T.S.

D.T.S. reserves the right to make any aesthetic, functional or design modifications to any of its products without prior notice. DTS assumes no responsibility for the use or application of the products or circuits described herein.

MADE IN ITALY



The Lighting Company