

# Technobots

Electronic & Mechanical Components

## PROGRAMMABLE ENGINE SOUND SYSTEM

*designed by Alan Bond*

### *Manual for Radio Control Option*

**Part Number 3803-221**

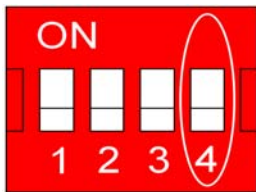


the **easy** to program engine sound system, which allows you to alter its character to suit your type of model

## ABOUT THIS MANUAL

The user can choose to control this unit by either a standard radio control receiver or by a throttle potentiometer and switches. Either mode of operation may be selected by a configuration option switch.

Both options have differences in behaviour dictated by the control method and require to be wired up differently. This manual covers the RC version only, if you also require the Pot version, then it can be downloaded from the product page on the Technobots website.



*This is the **RADIO CONTROL** version of the manual. Before proceeding further, check that switch 4 of the configuration option switches is set to the OFF position to configure the unit for **RADIO CONTROL**.*

# INDEX

1. INTRODUCTION
2. OVERVIEW
3. SPECIFICATIONS
4. INSTALLATION
  - 4.1 What's In The Box
  - 4.2 Connecting Up
    - 4.2.1 Single Throttle, Auto Start/Stop, No Horn
    - 4.2.2 Single Throttle, Auto Start/Stop, With Horn
    - 4.2.3 Single Throttle, Manual Start/Stop, No Horn
    - 4.2.4 Single Throttle, Manual Start/Stop, With Horn
    - 4.2.5 Dual Throttle, Auto Start/Stop, No Horn
    - 4.2.6 Dual Throttle + Rudder Mixer, Auto Start/Stop, No Horn
    - 4.2.7 Dual Throttle, Manual Start/Stop, And/Or Horn
    - 4.2.8 Wiring
    - 4.2.9 Speaker Installation
5. CONFIGURATION
  - 5.1 DIP Switch Settings
    - 5.1.1 Throttle
    - 5.1.2 Engine
    - 5.1.3 Horn
    - 5.1.4 Input
  - 5.2 Battery Voltage
6. OPERATION
  - 6.1 Guided Tour
  - 6.2 The Neutral/Span/Neutral Zone Setting Button
  - 6.3 Sound Adjustments
    - 6.3.1 Tick Over
    - 6.3.2 Top Speed
    - 6.3.3 Number of Cylinders
    - 6.3.4 Engine Voice
    - 6.3.5 Horn
    - 6.3.6 Idle Time Out
    - 6.3.7 Volume Control
  - 6.4 Engine Slow Down/Stop
7. AUDIBLE WARNING SIGNALS
  - 7.1 Voice Design
  - 7.2 Warnings
  - 7.3 Setting Confirmation
  - 7.4 Error Conditions
8. VOICE DESIGNER MODE
9. SUPPORT

# 1. INTRODUCTION

This Sound System can synthesize a wide range of multi-cylinder petrol/diesel engine sounds, all the major engine operating parameters (tick over, top speed, number of cylinders, engine 'voice') being user adjustable by a simple selector link and pushbutton interface (see the following overview for details).

In all cases the engine sound varies smoothly and proportionally with the throttle demand in both forward and reverse. A further input may be assigned to a second throttle channel in the case of twin screw boats or 'tank' steered vehicles.

The engine has an adjustable idling time-out (typically set by the user to around 20 seconds) after which it runs down and stops. Opening the throttle again causes the engine to re-start following a short "cranking" sound. Alternatively, the user may connect a spare r/c channel to start and stop the engine at will. That same spare channel may also be used to sound a built in horn, whose pitch is adjustable.

Unusually, the Sound System also allows users to synthesize their own engine sounds, full control of the pitch and duration of all the cylinders is supported by a simple selector link and pushbutton interface.

The Sound System can be used with any radio system, including PCM, that utilises the industry standard 1-2mS servo signal. 'Neutral' (i.e. joystick at centre position) is generally set at 1.5mS, though the Sound System can cope with any neutral setting within the entire industry standard range to accommodate 70/30 pistol type transmitters often supplied with model cars, or forward only speed controllers. The neutral condition is indicated by a case mounted status LED which assists in setting the transmitter throttle trim. The range and the neutral zone of the throttle response may also be set by a simple push-button procedure.

In its most basic form, the Sound System is easily installed by removing the Electronic Speed Controller (ESC) lead from the receiver and plugging it into the Sound System, then using a supplied lead from the Sound System to the receiver. The ESC lead then plugs into a further connector on the Sound System, thereby obviating the need for a 'Y' lead. Optionally, leads from a second throttle channel and/or a horn/engine control channel may be attached.

The Sound System's electronics takes its power from the receiver, but the loudspeaker derives its power from either the model's main propulsion battery or a separate battery pack. The engine sound volume is adjustable by a rotary potentiometer. Connections for speaker power and the loudspeaker itself are made using screw terminal blocks.

## 2. OVERVIEW

This Sound System carries on from where the original Technobots Petrol and Diesel Sound units left off, and not so much replaces them as compliments them. The original Sound units continue to be small, affordable, entry-level products whereas this Sound System in a slightly larger package scopes the sound range of the two earlier Sound Systems and offers a whole host of *additional* features as follows:-

- Provision for a second throttle input – the engine note follows the faster of the two throttle demands (appropriate where rudder mixers apply large forward and reverse speed demands to both ESCs whilst the throttle is at zero or low setting)
- Push button setting to match (the transmitter) joystick neutral and span over the entire 1mS to 2mS range which then accommodates 70/30 pistol type controllers often supplied with model cars, or vehicles/vessels with forward only speed controllers – this function also includes the option to double the width of the neutral zone to make throttle setting less critical for the engine's auto stop facility
- Provision to process an auxiliary input channel, either digital (switched) or proportional (joystick) which may be used as follows
  - Digital - use for horn on/off OR engine start/stop (user choice)
  - Proportional - use opposite throws of the joystick for horn on/off AND the engine stop/start (toggle action) though the user may prefer engine stop/start to be throttle dependent
- Horn - uses the engine speaker, replacing the engine sound whilst operated - sounds at maximum volume regardless of engine volume setting
- Push button adjustment (during real-time operation) of
  - Tick over
  - Top speed
  - Number of cylinders – from 2 to 6, though single cylinder operation is simulated in voice #6 (see later)
  - Engine 'voice' – 10 fixed, 10 custom (user defined) characters
  - Pitch of the horn
  - Idle timeout period (only valid for auto start/stop option) – 0 to 90 secs in 10 second increments, or continuous running
  - Voice designer mode (for custom voices only)
    - set pitch for each cylinder (128 possible values)
    - set duration for each cylinder (5 possible values)

All settings are saved into non-volatile memory and are retrieved at switch-on the next time the Sound System is powered up.

- Volume control – controls engine sound volume only

### **3. SPECIFICATIONS**

#### ***Speed demand sensing method***

Receiver throttle channel(s) - Sound System has pass-through(s) to ESC(s)

#### ***Neutral (idling) signal condition***

May be set by push button anywhere in 1mS to 2mS range

#### ***Joystick span adjustment***

Ensures full throttle condition can be achieved for transmitters producing less than the full 1mS to 2mS range. Also matches full throttle to the larger span in offset neutral applications (70/30 or forward only controllers)

#### ***Receiver voltage (which powers the Sound System's electronics)***

4.8V min to 6V max (this is usually supplied by a nominal 5V BEC which is often incorporated in the ESC) ***DO NOT USE A "6V" LEAD ACID BATTERY – a fully charged one of these can output as much as 6.6V. Your receiver and servos may stand it, but this Sound System won't !***

#### ***Speaker impedance***

8 ohm minimum (Technobots part no. 2400-015 recommended)

#### ***Speaker supply voltage***

from zero to '12v'. There is a 16V rated capacitor across this input, ***exceed this voltage at your peril!*** A fully charged 12V lead acid battery will be in the region of 13.5V and hence is ok, ***but 12 cells NiMH, a nominal '14.4V', will exceed 16V when fully charged and is not ok.***

#### ***Engine 'voices'***

20 different voices (10 fixed, 10 user defined), encompassing 'petrol' and 'diesel' characters

#### ***Number of cylinders***

Selectable from 2 to 6, though single cylinder operation is simulated in voice #6 (see later)

#### ***Engine stop/start***

Choice of automatic or manual – automatic is determined by the throttle demand and the idling period, whereas manual responds directly to an auxiliary r/c channel

### ***Engine idle timeout***

For the case of automatic start/stop, the idling period may be set from zero to 90 seconds in ten second increments or optionally continuous running may be set.

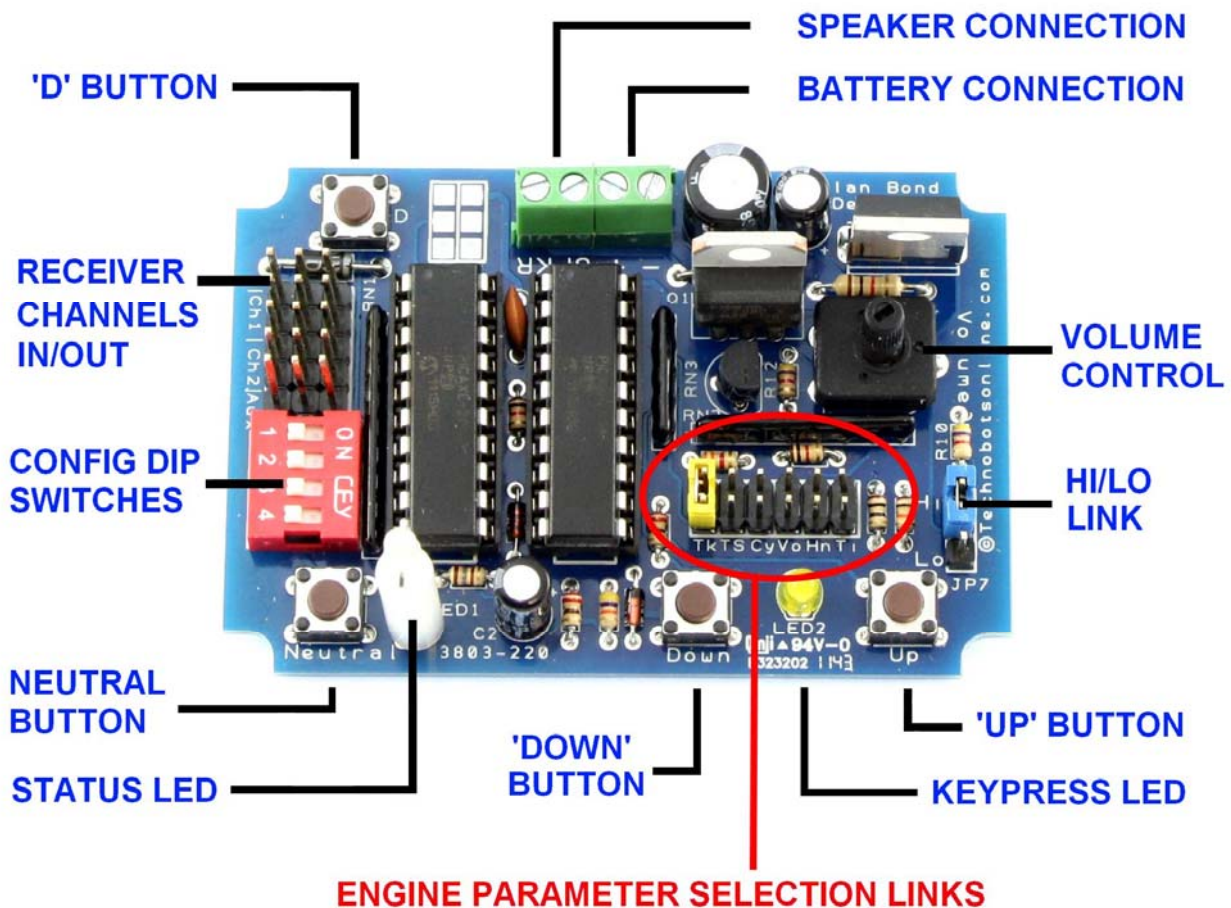
### ***Engine Slow Down/Stop***

Choice of fast or slow stop to simulate engines with normal or large heavy flywheels.

## 4. INSTALLATION

### 4.1 What's In The Box?

On the underside of the box there are four screws which allow the casing to be removed from the bottom plate to reveal the Sound System inside for the purpose of making connections and setting up its parameters. The photograph below shows the location of the connections and the principal controls.



Make connections to the Sound System (as described later), configure it and try it out with the case removed. *Make sure the Sound System is not placed on a metallic surface or surface contaminated with metal debris, placing it on the base plate is recommended.*

Only fit the Sound System back into its case when it is ready to be installed in the model. Note the case is for mechanical and splash protection only, it is NOT waterproof, so its location in the model should take this into account.

*Take care to align the status LED with its corresponding hole in the case when re-fitting the Sound System into its box.*

Key to above photograph

- Speaker connection – 8 ohm minimum



- Battery connection – '12v' maximum (see specifications)
- Volume control – adjusts the volume of the engine sound, but the horn always sounds at maximum volume regardless of this setting, note that minimum volume does not yield silence (by design)
- Hi/Lo link – used to best match the mechanical range of the volume control to the user's battery voltage
- 'Up' button – increases the value of the selected engine parameter
- Keypress LED – acknowledges pressing of 'Up' or 'Down' buttons – also on permanently to indicate Sound System is in voice designer mode, in which case it briefly extinguishes to acknowledge a button press
- 'Down' button – decreases the value of the selected engine parameter
- Status led
  - Solid red – engine stopped in neutral
  - Blinking red at engine revolution rate – engine is running in neutral
  - Blinking green at engine revolution rate – engine is running
  - Solid green – engine is running at full speed
  - Flashing orange – error condition
- Neutral button – press at any time to set neutral, press at switch-on to set neutral, joystick span and neutral zone
- Configuration DIP switches – set single/dual throttle, engine start auto/manual and horn enable/disable
- Receiver channels in/out – two parallel connected pairs (Ch1, Ch2) to accept input from receiver throttle channels and pass it through to the corresponding ESCs (avoids requirement for 'Y' cables). Aux channel accepts input from spare channel on receiver assigned for horn and/or engine start auto/manual.
- 'D' button – in normal running this is the 'data' button and via audible 'beeps' allows the user to verify settings of cylinder count, 'voice' and idle time-out values. In voice designer mode, this is the 'duration' button and in conjunction with the 'Up' and 'Down' buttons allows the user to adjust the duration of the exhaust pulses from each cylinder. Additionally, at power-up only, this button sets either fast or slow engine run-down/stop (toggle action)
- Engine parameter selection links – move the yellow jumper link to the following positions, marked on the PCB, in order to adjust the appropriate parameter by means of the 'Up' and 'Down' buttons
  - Tk – tick over speed of the engine
  - TS - top speed of the engine
  - Cy - number of cylinders in the engine
  - Vo – 'voice' of the engine
  - Hn – pitch of the horn
  - Ti – time period of engine idle before auto-stop

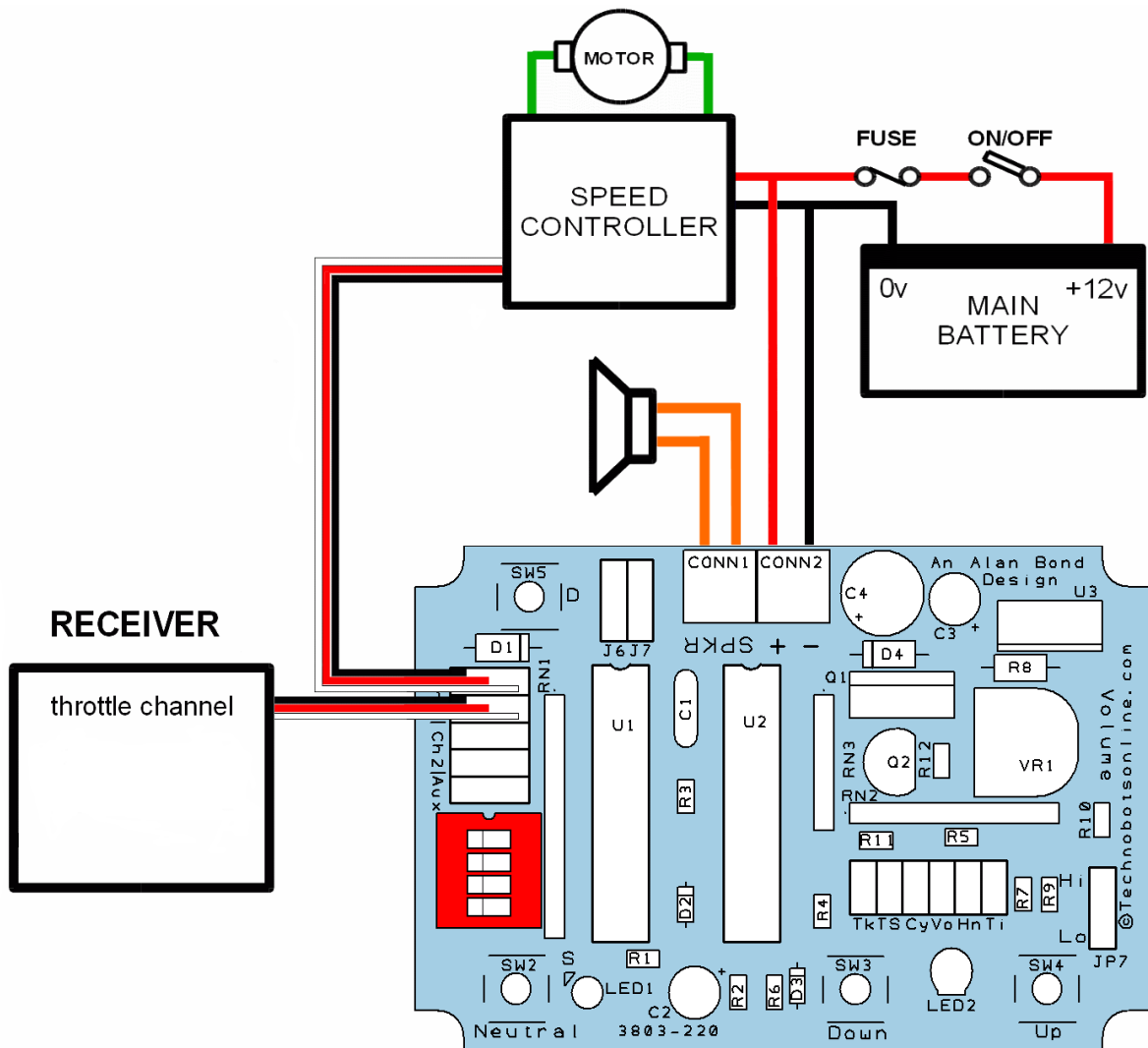
## 4.2 Connecting It Up

A series of wiring diagrams follow showing typical system configurations. In all cases the ESC is assumed to have an integral BEC (battery eliminator circuit) otherwise a separate 5V supply needs to be connected to the receiver. The main power and speaker connections are identical in every instance, so it is really just a matter of connections from the receiver (or mixer) and to the ESC(s) plus the DIP switch settings which need to match your own particular system. Connection of a rudder servo and other accessories (eg R/C switches) are not shown for clarity.

*Note that for all single throttle installations, you MUST use "Ch1" as the DIP switch settings will cause "Ch2" to be ignored.*

### 4.2.1 Single Throttle, Auto Start/Stop, No Horn

This is the most basic configuration. Plug the receiver throttle channel into either of the "Ch1" slots and plug the ESC into the remaining "Ch1" slot. The two slots are connected in parallel, so the throttle channel from the receiver is passed through to the ESC, thus obviating the need for a 'Y' lead. All DIP switches should be set to the OFF position.

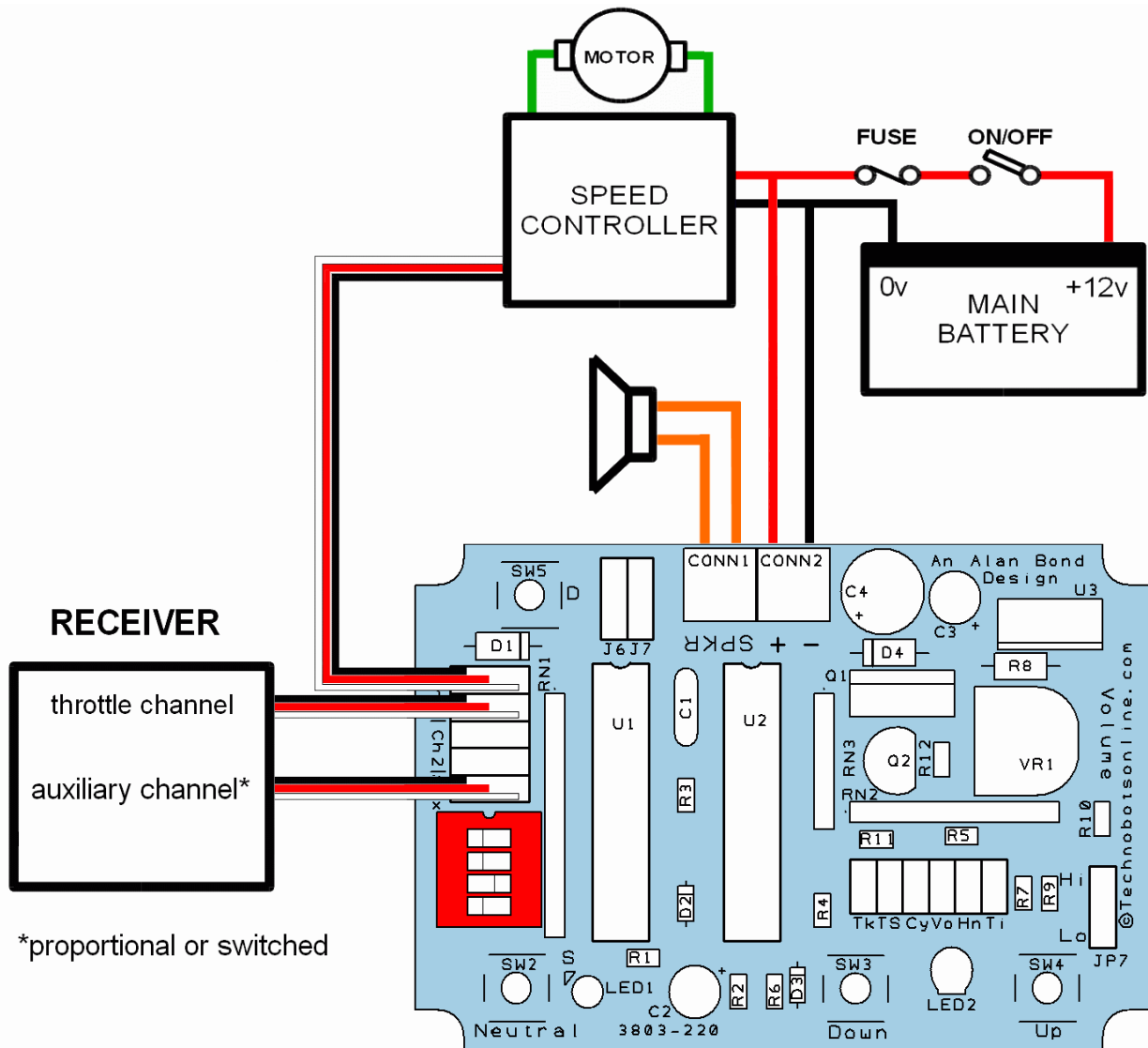


### 4.2.2 Single Throttle, Auto Start/Stop, With Horn

Plug the receiver throttle channel into either of the “Ch1” slots and plug the ESC into the remaining “Ch1” slot. The two slots are connected in parallel, so the throttle channel from the receiver is passed through to the ESC, thus obviating the need for a 'Y' lead.

A spare receiver channel needs to be assigned to the horn function. This may be a switched channel (usually channel 5/6) or a proportional channel. Connect the chosen channel to the “Aux” slot. The horn can then be sounded by either the switch or by moving the joystick. Use the channel reversing switch on your transmitter to alter the direction of movement to suit your preference.

DIP switch #3 should be set to the ON position, all the others should be set to OFF.



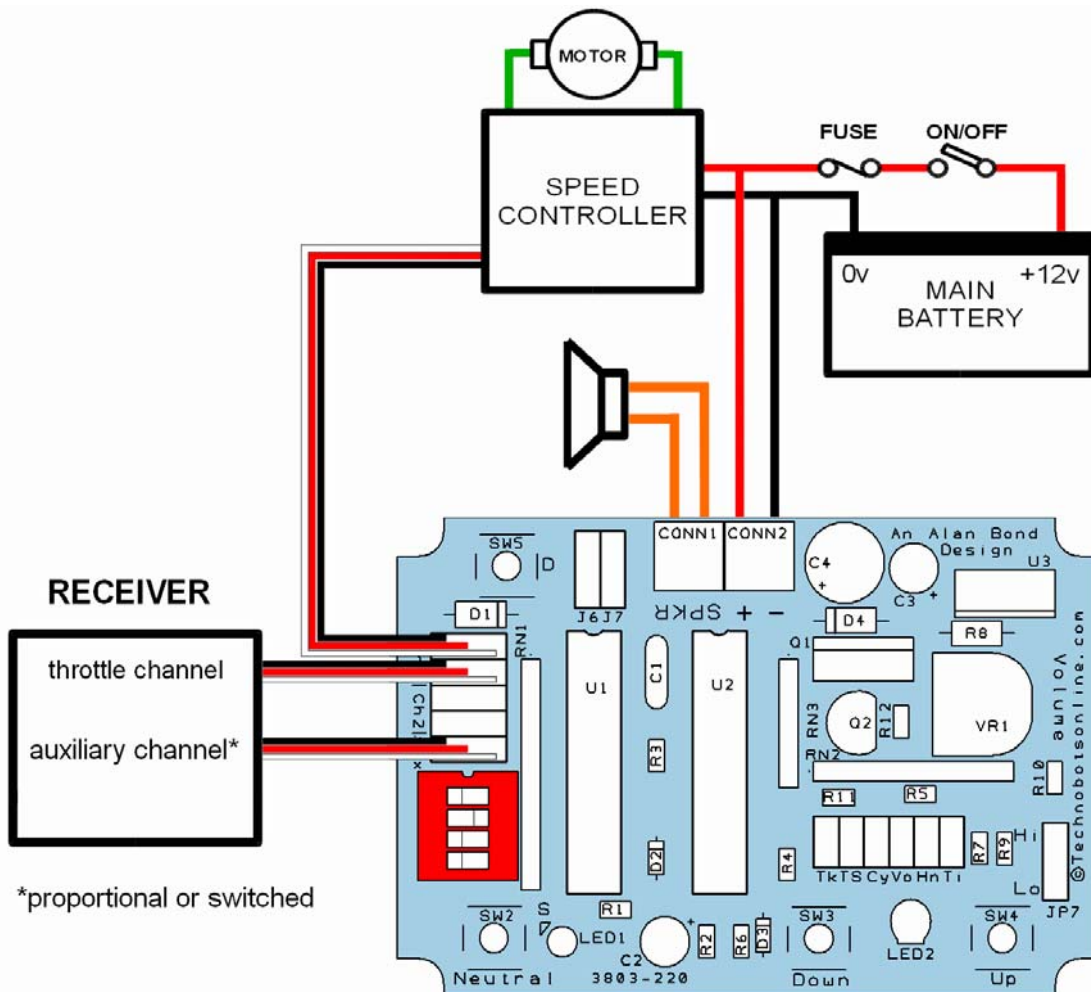
### 4.2.3 Single Throttle, Manual Start/Stop, No Horn

The circuit configuration is identical to that above in 4.2.2, just the DIP switch settings change.

Plug the receiver throttle channel into either of the “Ch1” slots and plug the ESC into the remaining “Ch1” slot. The two slots are connected in parallel, so the throttle channel from the receiver is passed through to the ESC, thus obviating the need for a 'Y' lead.

A spare receiver channel needs to be assigned to the engine start/stop function. This may be a switched channel (usually channel 5/6) or a proportional channel. Connect the chosen channel to the “Aux” slot. The engine can then be started or stopped by either the switch or by moving the joystick. Unlike the horn example above, the joystick now has a toggling action – i.e. move it to one end to start the engine and then release it to centre position and the engine continues running - move it again to stop the engine. Use the channel reversing switch on your transmitter to alter the direction of movement to suit your preference.

DIP switch #2 should be set to the ON position, all the others should be set to OFF.



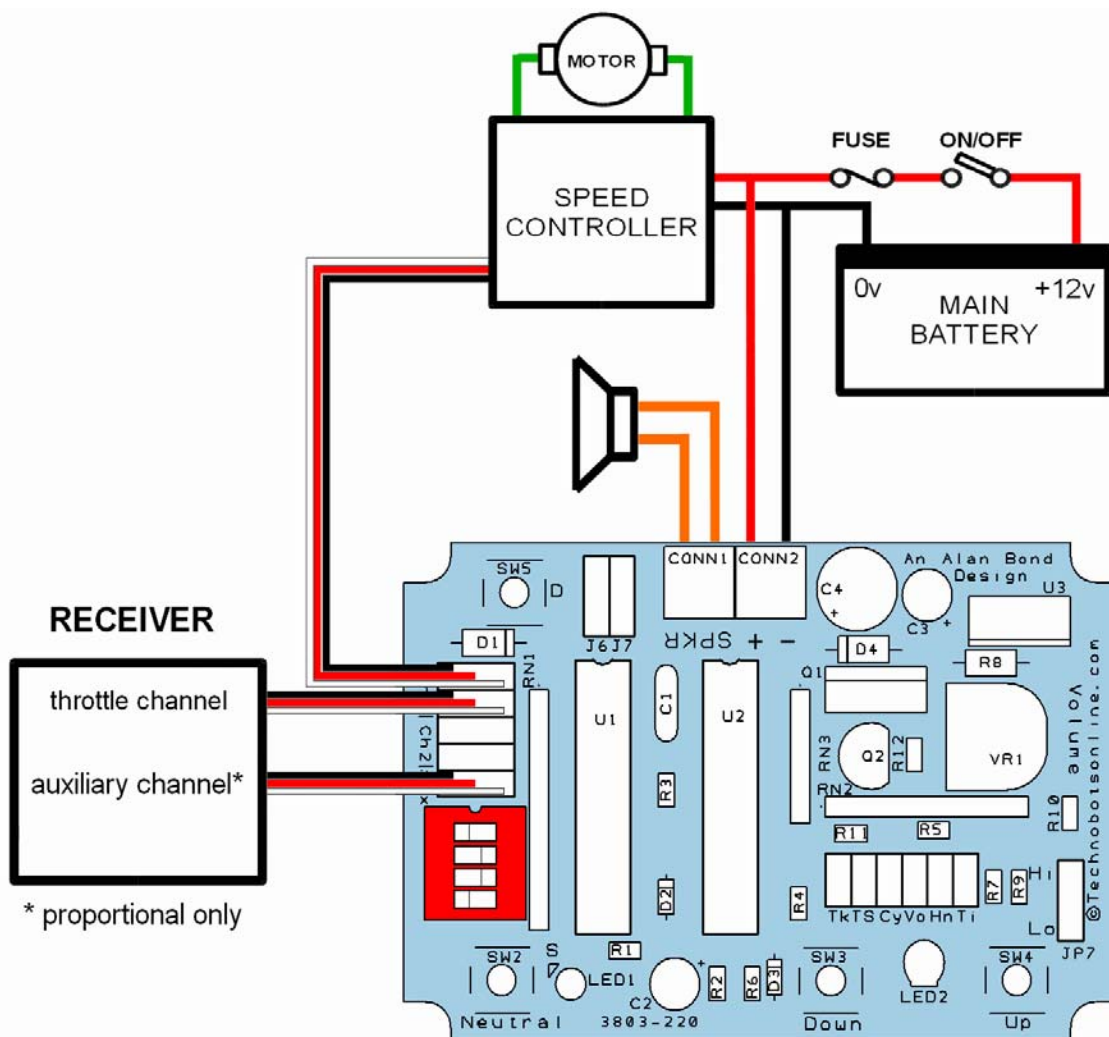
#### 4.2.4 Single Throttle, Manual Start/Stop, With Horn

Again, the circuit configuration is identical to that above in 4.2.3, just the DIP switch settings change, *however the spare receiver channel used to operate both the engine start/stop and horn functions MUST be a proportional type.*

Plug the receiver throttle channel into either of the “Ch1” slots and plug the ESC into the remaining “Ch1” slot. The two slots are connected in parallel, so the throttle channel from the receiver is passed through to the ESC, thus obviating the need for a 'Y' lead.

A spare receiver channel needs to be assigned to the engine start/stop function. This MUST be a proportional channel. Connect the chosen channel to the “Aux” slot. The engine can then be started or stopped by moving the joystick in one direction (toggling action) and the horn sounded by moving the joystick in the opposite direction (momentary action). Use the channel reversing switch on your transmitter to alter the direction of movements to suit your preference.

DIP switches #2 and #3 should be set to the ON position, all the others should be set to OFF.

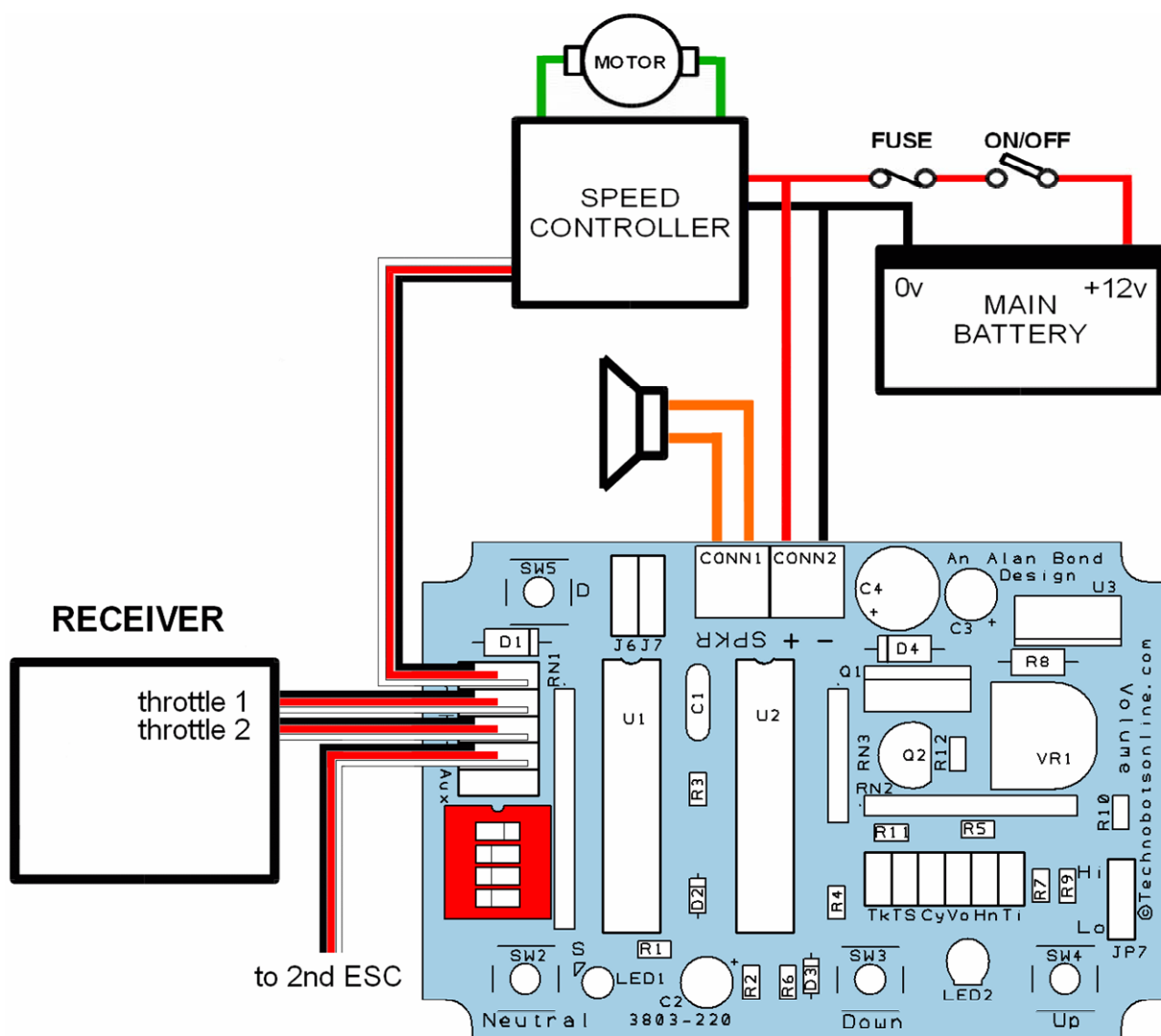


## 4.2.5 Dual Throttle, Auto Start/Stop, No Horn

This configuration is for systems typically using a split throttle joystick type transmitter for differential control of two motors, though it is equally applicable to using two separate joysticks for the same purpose. Plug the receiver throttle channel 1 into either of the “Ch1” slots and plug ESC 1 into the remaining “Ch1” slot. Similarly plug receiver throttle channel 2 into either of the “Ch2” slots and plug ESC2 into the remaining “Ch2” slot. Both pairs of slots are connected in parallel, so the throttle channels from the receiver are passed through to the ESCs, thus obviating the need for 'Y' leads.

DIP switch #1 should be set to the ON position, all the others should be set to OFF.

*In dual throttle installations, the neutral, joystick span and neutral zone settings are set on the primary throttle channel (“Ch1”) only, and the same values are then applied to “Ch2”. Thus after setting neutral, it may be necessary to adjust the trim on the secondary throttle channel to return the status LED to its red condition.*

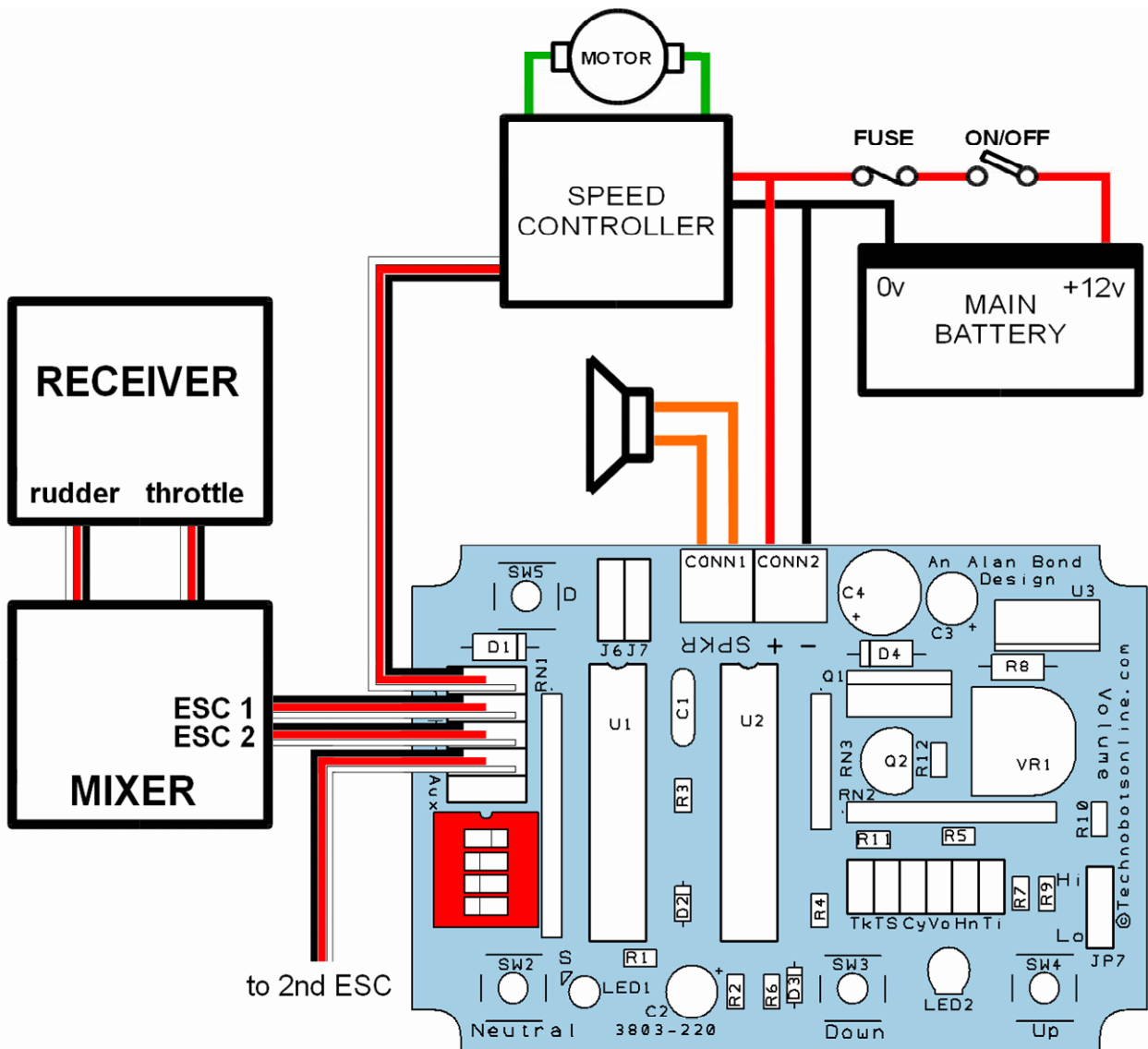


## 4.2.6 Dual Throttle + Rudder Mixer, Auto Start/Stop, No Horn

This configuration is for systems using a rudder mixer for differential control of two motors. Plug the receiver throttle and rudder channels into the appropriate ports of the rudder mixer. Plug one of the mixer outputs into either of the “Ch1” slots and plug the corresponding ESC into the remaining “Ch1” slot. Similarly, plug the other mixer output into either of the “Ch2” slots and plug the corresponding ESC into the remaining “Ch2” slot. Both pairs of slots are connected in parallel, so the mixer outputs are passed through to the ESCs, thus obviating the need for 'Y' leads.

DIP switch #1 should be set to the ON position, all the others should be set to OFF.

*In dual throttle installations, the neutral, joystick span and neutral zone settings are set on the primary throttle channel (“Ch1”) only, and the same values are the applied to “Ch2”. Thus after setting neutral, it may be necessary to adjust the trim on the rudder channel to return the status LED to its red condition.*





### 4.2.7 Dual Throttle, Manual Start/Stop, And/Or Horn

Connect as in the dual throttle installations above, appropriate to whether a mixer is being used or not. Then copy the auxiliary channel wiring and DIP switch settings given in the appropriate single throttle diagrams, except that of course DIP switch #1 now requires to be ON as well to enable dual throttle operation.

### 4.2.8 Wiring

The battery supply and speaker wires must be connected to the Sound System prior to the box being refitted. A slot in the case side allows the wires to exit.



The receiver channel and ESC leads may be connected through the aperture in the top of the box, taking care to observe the polarity marking on the label – this means the black lead to the edge of the box and the white (or sometimes orange) lead to the centre of the box.

The screw terminal connectors (rated 10A) for the battery and speaker will accept wires whose conductor size is up to 1mm<sup>2</sup>. As the currents involved are quite modest it is not necessary to use thick cable such as that used for the motor(s) in your model. 16/0.2mm equipment wire (rated 3A) is suggested.

### 4.2.9 Speaker Installation

Inevitably the size and construction of the model may preclude the recommended speaker being used and if in addition its installation is less than ideal, then both the volume and quality of the sound will be compromised.

Connect the Sound System up to a loose speaker on the bench and prepare to be disappointed! The sound quality needs to be judged with the speaker properly mounted in the model.

Speakers are ideally mounted on a baffle – this is usually a piece of wood whose width is about twice the diameter of the cone with a hole in it about the size of the cone (determined by the speaker mounting arrangement). The purpose of the baffle is to prevent the anti-phase sound waves from the rear of the cone 'leaking' round to cancel out the sound waves from the front. The higher the frequency the more sound tends to travel in straight lines and is therefore less able to 'leak' round to the other side of the cone. Thus it's the bass response that is lacking from an unmounted speaker.



Hi-fi speaker cabinets are generally sealed to achieve this. The hull of a boat makes an excellent substitute if the speaker can be mounted beneath the cabin using the entire deck as a baffle and the sound can escape through open portholes, windows, doors or ventilation grilles.

If you make the sound sealing box too small, the speaker will struggle to compress the air in it (the cone displacement will be making a large percentage volumetric change) and the volume and sound quality will suffer.

If in any doubt as to the Sound System's capabilities, kidnap a compact music-centre loudspeaker, connect it up and hear the result. Anything sounding less rewarding than this represents the magnitude of your personal battle to defy the laws of acoustics!

To appreciate the importance of the all the above and the dividends repaid by a bit of effort, the following testimonial, for the original Technobots (Petrol) Sound unit is published below (by courtesy of Peter Bone)

*Just thought I'd let you know that I got the sound unit installed and up and running for the Southend Model Power Boat club Annual Festival this weekend. Our guest judge was Andy Coulson of the Southwater Dabblers Club and he judged my boat 'Best in Show'! I'm sure the sound unit tipped the balance and helped me win.*

*The sound unit is terrific and attracted a lot of attention and several people asked me where it came from.*

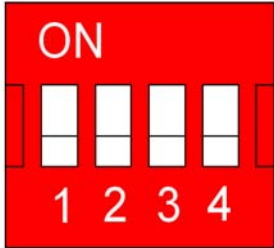
*As you quite rightly said, the really difficult bit is mounting the speaker and getting the sound out. The model is Andy Griggs' 1/12th scale Cygnus 33 the one with the 'bulbous' bow. After quite a lot of experimentation I've mounted the speaker on a relatively small wooden baffle low down in the bow, facing upwards at an angle towards the underside of the wheelhouse floor. I put a cardboard tube (from a reel of tape) over the speaker, then I found that an empty container of Cadbury's cocoa powder just happened to be a nice sliding fit inside the cardboard tube, by sliding the cocoa container in and out (and shortening it) with the open end facing the speaker and the closed end upwards, I found I could 'tune' the note. The cocoa container is a cardboard tube with a metal bottom and the thin metal bottom needed a bit of 'damping' which I did with a disc of self adhesive felt, then I drilled a hole in the bottom of the container and fitted a piece of plastic tube about 15mm dia, this terminated just under the wheelhouse. I finally drilled a few holes in the wheelhouse floor in places where they were not visible from the inside as the wheelhouse is nicely fitted out and I didn't want to spoil the look from the inside.*

## 5. CONFIGURATION

This section expands the information about the DIP switch settings given in the installation instructions above, and also introduces the battery voltage setting (Hi/Lo) link.

### 5.1 DIP Switch Settings

The following three options which relate to configuration of the radio control input channel(s) are located on the red 4 way DIP switch (DIP=Dual In-line Plastic). The switch positions for the various options are illustrated below.

	OFF	ON
		
1 <b>THROTTLE</b>	single	dual
2 <b>ENGINE</b>	auto	manual
3 <b>HORN</b>	disabled	enabled
4 <b>INPUT</b>	radio control	potentiometer

Note that the manual start/stop of the engine and the horn functions are both assigned to the auxiliary input channel connector. Thus if BOTH functions are required, the connected channel must be a proportional (joystick) type. If only ONE of the horn or the manual start/stop functions is required, then a digital (switched) channel may be used instead. Assigning both functions to a digital (switched) channel will result in a quadruple error buzz at one second intervals. *Recovery from this error condition requires the 5V receiver power to be cycled after the appropriate corrective action has been taken.*

#### 5.1.1 THROTTLE

- **Single** – the engine speed is related to the primary throttle input connector only. The secondary throttle input connector is ignored even if an r/c channel is connected to it. Failure to connect an r/c channel to the primary input connector with this option selected will result in an error signal sounding (a single buzz at one second intervals)
- **Dual** - the engine speed is related to both the primary and secondary input connectors and the engine sound follows whichever of the two speed demands is the larger. In this context, 'larger' applies to a speed demand in either direction so, for example, half ahead plus full reverse would result in a maximum speed sound. Failure to connect an r/c channel to the secondary input connector with this option selected will result in an error signal sounding (double buzz at one second intervals)

### 5.1.2 ENGINE

- **Auto Start/Stop** - the engine starts automatically when the throttle is opened. The engine stops automatically after a period of idling in the neutral condition (indicated by the status LED on the case showing red). The user may set the idling period prior to the engine stopping in the range 0 to 90 seconds in 10 second increments. A further option is to have the engine running continuously.
- **Manual Start/Stop** – the engine starts or stops in direct response to the signal received on the auxiliary input connector. If the assigned receiver channel is digital (switched) then operating the channel switch on the transmitter will start and stop the engine. Simply opening the throttle will not start the engine (though the boat/vehicle will move accordingly) and likewise the idling time-out value set by the user is ignored if this option is selected.

If the assigned receiver channel is proportional (joystick) then a brief jab of the joystick in the appropriate direction will start the engine and a further brief jab *in the same direction* will stop the engine – ie the joystick has a 'togglng' action. Note the opposite throw of the joystick may be assigned to the horn function.

Failure to connect an r/c channel to the auxiliary input connector with this option selected will result in an error signal sounding (treble buzz at one second intervals)

### 5.1.3 HORN

- **Disabled** – the horn function is not available. Use this link position where an auxiliary channel is not connected or is only required for manual start/stop of the engine. The horn sound may still be previewed in this situation by moving the yellow selector link to the 'horn' position and pressing the 'Up' or 'Down' keys, though the volume control will need to be turned up to maximum to judge the final effect (horn sounds at maximum volume regardless of engine sound volume setting).
- **Enabled** – the horn sounds in direct response to the signal received on the auxiliary input connector. If the assigned receiver channel is digital (switched) then operating the channel switch on the transmitter will sound the horn.

If the receiver channel is proportional (joystick) then moving the joystick in the appropriate direction will sound the horn and releasing it will silence the horn. Note the opposite throw of the joystick may be assigned to the manual start/stop of the engine function.

Failure to connect an r/c channel to the auxiliary input connector with this option selected will result in an error signal sounding (treble buzz at one second intervals)

#### **5.1.4 INPUT**

- **Radio Control** – the inputs are configured to accept signals from a standard radio control receiver in the 1mSec to 2mSec range
- **Potentiometer** – the inputs are configured to accept a potentiometer and toggle/push-button switches

Switch 4 is checked at power-up and the unit then assumes the control method set by the switch position. Subsequent operation of switch 4 will not change the mode of operation, the unit producing an error buzz until the switch is returned to the position it occupied at power-up.

### **5.2 Battery Voltage**

The remaining option is in an isolated location and its header is served by a blue jumper link (J7) whose options are marked 'Hi' and 'Lo'. This option best matches the (mechanical) range of the volume control to the loudspeaker voltage supply. For example, in the case of 6V and 12V systems, if only half volume can be achieved or full volume occurs at half rotation of the volume control then the jumper link needs to be altered to best match your battery voltage. The 'Lo' setting is optimised for 6V and 7.2V batteries and the 'Hi' for 12V batteries. The setting for intermediate battery voltage conditions is best determined by experiment.

## 6. OPERATION

### 6.1 Guided Tour

The Sound System may be operated immediately after installation and the information below is for the user to effect a quick guided tour of the capability of the Sound System. It is assumed that all the configuration links have been set to match the connected receiver channels and the main battery voltage as per the previous installation instructions. Thus, depending on the scope of the installation, not all functions described in the tour will be available to all users. It is also assumed that the user has familiarised themselves with the location of the various selection links and push buttons.

With 2.4GHz r/c systems, the computerised receivers typically take a few seconds to 'boot up' and assert their channel outputs. Thus, at switch on, the Sound System waits for 5 seconds to allow this to occur, during which the status LED flickers green counting off each second with a long flash.

Then the Sound System checks for presence of the various r/c channels that have been assigned to it by the configuration DIP switches.

*If a mismatch between the selected options and the connected channels is detected or the required channel(s) have not been detected to be present, then the status LED will be flashing orange at a one second repeat rate and the speaker emitting a low buzz, or succession of buzzes in sympathy with the LED to alert the user to this fault condition. See the information on error signals in SECTION 7 to determine the nature of the fault indicated by the coded buzzes.*

With the model on a stand to allow the propeller(s), wheels or tracks to run free, first centralise the throttle joystick(s) and trim(s), then switch on the transmitter.

Now power the model and after the start-up delay the status LED should light up a solid red, signifying the throttle channel is in the 'neutral' condition and the engine should be silent.

However, if your (centralised) throttle does not match the factory default of 1.5mS neutral then at this point the status LED may be extinguished, or in the case of the auto start option or the start/stop function assigned to a digital (switched) channel, the engine may have already started up on its own and the status LED be pulsing green at the engine revolution rate.

If so, press the neutral button and the status LED will go red, indicating the new neutral point has been set. If the engine was already running, the Sound System will settle to a slow idle and the status LED will be pulsing red at the tick over rate. If the engine was stopped the status LED will be showing a

solid red. The neutral point is saved to memory and will match that of the transmitter the next time they are used together.

If the Sound System is already running, then after approximately 20 seconds (factory default setting) of idling in neutral it will slow down and stop. Alternatively operate the (digital) channel switch to stop the engine – note the engine would not have started on a proportional channel, given that its joystick was in the central position.

Depending on your installation, the engine may now be started in three possible ways:-

- opening the throttle(s)
- operating the (digital) channel switch
- operating the (proportional) channel joystick

If the latter option for engine control is being used, then rather than starting the engine you may have sounded the horn (if configured), or nothing happened. In this case moving the joystick in the opposite direction will start the engine. You can use the servo reversing switch on your transmitter to get the engine stop/start in the preferred direction of travel of the joystick.

The speaker should issue a short cranking sound and the 'engine' should start and smoothly run up to full speed as the throttle is progressively opened, the status LED now showing green and pulsing increasingly faster with engine speed. At full excursion of the joystick the LED should go solid green, signifying the engine is in receipt of the maximum possible speed demand. With the factory default 'span' setting this may occur slightly prior to full excursion, or maybe not at all. Setting the full dynamic range of the Sound System to match the 'span' of your transmitter is covered in the next part of this manual and need not be done for the purposes of the 'tour'.

With the joystick returned to the central/neutral position the engine should return to idling speed and the status LED should be pulsing red. The engine may now be switched off by operating the (digital) channel switch, moving the joystick *in the same direction that started the engine*, or waiting for (the factory default of) 20 seconds – or as appropriate to your configuration. The status LED will show solid red when the engine stops.

If you have configured the Sound System for twin throttle operation, then adjusting the second throttle to exceed the setting of the first (in either forward or reverse) should cause the engine sound to follow whichever of the two is the greater.

In a dual throttle installation, it is the user's responsibility to match the neutral of the secondary throttle to that of the primary. Failure to do so may result in a failure to produce a low enough speed demand output to achieve neutral and thereby a sensibly low tick over speed and/or producing a large deadband in

the (audio) throttle response. Having set up the primary throttle channel, the status LED can be adjusted to show red again by altering the trim on the secondary channel (but *don't* press the neutral button again!)

At some convenient point, the volume control can now be checked to operate. Note that (by design) the lowest volume setting does not yield complete silence, but is plenty quiet enough for the workshop or small exhibitions etc. Assuming a suitable loudspeaker and a decent acoustic installation, running on 12V at maximum volume the Sound System will be clearly heard right across a large pond or in a large noisy exhibition. Note the installation section gives information about best matching the range of the volume control to your battery voltage.

Now for the fun! Start the engine and let it idle. Place the yellow jumper link in the '**Tk**' position and then set the tick over speed to your personal preference by use of the 'Up' and 'Down' buttons. A short stab of the appropriate button will effect a small change in tick over speed. The adjacent yellow LED will light for the duration of the press to provide visual confirmation of the press. Holding the button pressed will cause the speed to gradually ramp up or down and the button can be released at the desired setting.

At the extremes of the setting range a short high-pitched beep will be heard signifying that no further adjustment is possible. This scheme is used throughout the Sound System to indicate the limits of adjustment have been reached.

Now advance the throttle to full speed, move the yellow jumper link to '**TS**' and use the 'Up' and 'Down' buttons in the same manner as before to set the desired top speed.

At a fairly low throttle setting (suggested condition to best hear the variations) move the yellow jumper link to the '**Cy**' position and use the 'Up' and 'Down' buttons to adjust the cylinder count to personal taste. Unlike the previous use of the 'Up' and 'Down' buttons, holding a button pressed does not cause repeated adjustment, the buttons must be released to take effect. This makes for a far more positive selection 'feel'.

Depending on the number of cylinders chosen, the tick over and top speed may now benefit from being re-adjusted to suit the character of the engine afforded by its new cylinder count.

With a 4 cylinder engine set to a fairly low speed (suggested condition to best hear the variations) move the yellow jumper link to the '**Vo**' position and use the 'Up' and 'Down' buttons to cycle through the different engine characters available. The same positive selection style applies to operation of the buttons. The first ten 'voices' are factory presets and are fixed for all time,

whereas the following ten voices (initially supplied with the corresponding factory presets installed in all of them, as a departure point for experimentation) are able to be adjusted by the user and their settings saved in memory for future use. A short “deedle-dee” sound warns the user that a custom voice capable of user adjustment has been selected. Development of custom engine sounds is covered in SECTION 8.

Moving the yellow jumper link to the 'horn' position allows the user to alter the pitch of the horn from a deep bass fog-horn to a high pitched air-horn sound, by use of the 'Up' and 'Down' buttons. The horn increments or decrements in pitch for each press of the 'Up' or 'Down' buttons and sounds at the current volume level setting.

Note the horn sound can be previewed this way even if the horn option has not been selected in the user configuration of the Sound System, though the volume control would need to be increased to its maximum setting to properly judge the final effect.

If configured, operating the horn switch or joystick on the transmitter will now sound the horn at full volume, regardless of the volume control setting. This is in view of the importance of the horn as a collision warning device.

If the Sound System has been configured for auto stop/start then the period of idling before the engine stops can be set by moving the yellow jumper link to the 'Ti' position. The 'Up' and 'Down' switches adjust the idling period in approximately 10 second increments between 0 and 90 seconds. This link setting is ignored of course if the Sound System has been configured for manual start/stop of the engine. As the effect of this adjustment won't be apparent for some period of time, the Sound System will issue a number of medium pitched beeps to indicate the setting now selected. Each beep represents 10 seconds of idling time (the resolution of adjustment). Silence of course represents zero seconds. At what would be the 100 second option position, the Sound System issues 10 beeps but continuous engine running is now selected – i.e. the engine will only stop when the power to the Sound System is removed.

A fourth pushbutton marked 'D' will later be used in the Voice 'D'esigner mode, but during normal operation it doubles up as a 'D'ata button. If in doubt as to the selected 'voice', number of cylinders or timeout values, pressing the 'D' button with the yellow jumper link in the corresponding position will cause the Sound System to emit a series of medium pitched 'beeps' related to the setting of the chosen parameter. These are distinctly different from the higher pitched 'beeps' indicating the extremes of adjustment. In the case of the user adjustable voices, the beeps are preceded by the “deedle-dee” sound as in the normal voice selection. Pressing the 'D' button with the jumper link in tick over, top speed or horn positions will cause a low pitched buzz, indicating that an inappropriate data request has been made.



That concludes the quick guided tour of the Sound System.

## **6.2 The Neutral/Span/Neutral Zone Setting Button**

This button accesses two distinct procedures. The first procedure is really a configuration issue and sets up the neutral and then the span parameters to match those of the transmitter being used with the model and the width of the neutral zone to best suit the user. This procedure is only available at power-up time, and should not need to be repeated unless a different transmitter is subsequently used.

The second procedure may be accessed at any time whilst the Sound System is operating and sets up the neutral alone. This action does not affect the 'span' or neutral zone of the Sound System, and so it should only be used to correct minor deviations from neutral (i.e. 'drift') which are of a size that can typically be accommodated by a small adjustment of the joystick trim control.

The Sound System assumes an industry standard neutral condition of 1.5mS with full speed in either direction equating to 1mS or 2mS. Not all transmitters achieve the above range (e.g. 1.1 to 1.9mS might be typical) in which case without a span adjustment the user could not achieve the full speed range that the Sound System is capable of. Equally, if the Sound System assumed the narrower range suggested above, then some users might find that full speed is reached at only 80% of joystick travel for example. Thus some adjustment of span to match the user's transmitter is desirable.

Other special cases requiring span adjustment occur where gross offsets from the 1.5mS (50/50) neutral standard are encountered - for example in the case of 70/30 pistol type controllers typically supplied with model cars or in the case where a forward only (100/0) speed controller is used. In the latter case, full speed (engine sound) would occur at the half throttle position without span adjustment!

Note the Sound System is capable of accommodating both the previous examples of gross neutral offset and the consequent span adjustment.

- **Neutral , Span & Neutral Zone**

*IMPORTANT – this configuration routine can only be entered at power-up.* Prior to switching on the Sound System, the transmitter throttle joystick that is connected to the primary throttle channel on the Sound System should be set to its desired (physical) neutral position and the neutral trim set to its centre position. Press and hold the 'Neutral' pushbutton either prior to powering up the Sound System or at any time during the 5 second start-up delay.

After the Sound System is powered up, continue holding the button until

the status LED shows solid red, to signify the successful setting of neutral. When, and only when, the status LED is red, release the push button and proceed to set up the span.

Having released the button, the status LED will now slowly flash red, inviting you to advance the joystick to the full throttle (forwards) position. Once the joystick has exceeded 50% of the larger of the two potential spans (if the neutral setting is asymmetric) the status LED will now rapidly flicker red and when the user has completed moving the joystick to its maximum excursion, the neutral button should be pressed a second time. The gain of the Sound System's throttle channel is now set such that full engine speed matches full stick movement. Unless the 50% condition (slow flash) is exceeded the Sound System will remain in this condition indefinitely. Similarly the Sound System will remain locked into the rapid flicker phase until the neutral button is pressed a second time.

The status LED will now go green, alternating between slow and rapid flickering every few seconds. This will continue indefinitely until the neutral button is pressed. For the factory default neutral zone setting, press the neutral button during the slow flicker phase, or to double its width press the button during the rapid flicker phase.

The joystick must then be returned back to the neutral position to exit this configuration routine.

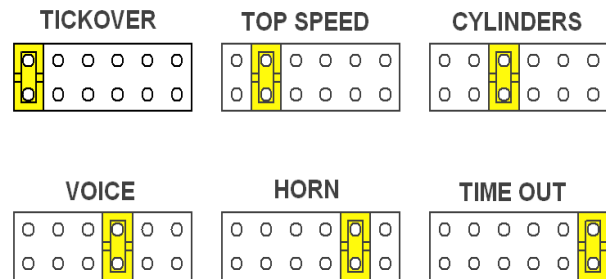
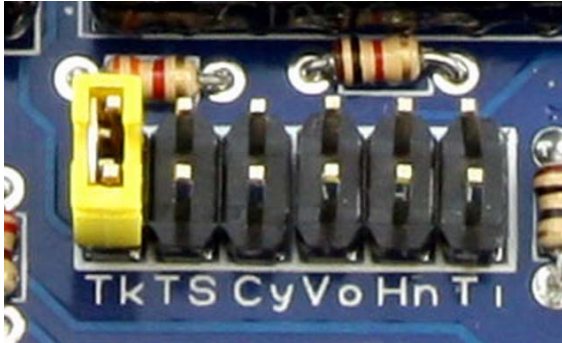
Only the neutral, span and neutral zone of the primary throttle channel are set in this way. If configured for twin throttle operation, the neutral, span and neutral zone of the secondary throttle channel will have the primary throttle channel parameters applied to them. Thus having set the span, when the primary throttle is returned to its neutral position, the status LED may now be showing green instead of red as the neutral of the secondary channel is presenting the Sound System with a higher speed demand (which is how the twin throttle system is supposed to work!) - so adjust the joystick trim of the secondary channel until the status light goes to red.

- ***Neutral***

Apart from the opportunity to set neutral at system start-up, the 'Neutral' button may be pressed *at any other time* to set the Sound System's neutral point to match the current throttle position. Assuming the centralised joystick currently yields a fast idle with the status LED pulsing green, then upon pressing the neutral button the status LED will show pulsing red and the engine will settle to the true tick over speed. Note the caveats relating to twin throttle configured Sound Systems in the previous paragraph.

## 6.3 Sound Adjustments

These are effected by moving the yellow jumper link to the appropriate position on the header block and using the 'Up' and 'Down' buttons to adjust the selected parameter. Changes are effective immediately, their values being saved in memory for subsequent use.



The link positions are labelled on the silk-screen of the PCB but for clarity are also shown in the accompanying diagram.

To protect users from themselves, tick over, top speed, number of cylinders and voice can only be adjusted whilst the engine is actually running (it is all too easy to completely muddle your settings without the audio feedback of what the engine is doing!) Thus, attempting to set these parameters whilst the engine is stopped will result in the speaker emitting a low pitched buzz, warning that an inappropriate operation is being attempted. The horn and idle timeout may be adjusted at any time. Users will note some text is repeated in the following sections – this is to allow each topic to be read in isolation from the others, but there are in fact a few subtle differences so please read each section thoroughly to become aware of them.

### • 6.3.1 Tick over

*Position the throttle joystick at neutral position, ensuring that the status LED is pulsing red.* Fit the yellow jumper link in the appropriate position on the header block. Pressing the up button will increase the tick over speed and pressing the down button will decrease it. At the extremes of the adjustment range a short 'beep' will be heard, signifying that no further adjustment is possible. When a button is pressed, the adjacent yellow LED will light confirming that the press has been accepted. Because the buttons are only scanned once per full cycle of the engine, when a multi-cylinder engine is ticking over very slowly, it is possible that a very short jab of the button may be missed.

You may also press and hold a button, whereupon the tick over will gradually ramp up or down throughout its entire range. You will get a good indication of the tick over speed this way, but it may speed up slightly and thus sound fractionally different when the button is released as there is now less processing for the microcontroller chip to perform.

So, in summary, press and hold until the approximate tick over speed is achieved and then finalise it by short presses to single-step the adjustment.

- **6.3.2 Top Speed**

*Position the throttle joystick at full travel.* Fit the yellow jumper link in the appropriate position on the header block. Pressing the up button will increase the top speed and pressing the down button will decrease it. At the extremes of the adjustment range a short 'beep' will be heard, signifying that no further adjustment is possible. When a button is pressed, the adjacent yellow LED will light confirming that the press has been accepted.

You may also press and hold a button, whereupon the top speed will gradually ramp up or down throughout its entire range. You will get a good indication of the top speed this way, but it may speed up slightly and sound fractionally different when the button is released as there is now less processing for the microcontroller chip to perform.

So, in summary, press and hold until the approximate top speed is achieved and then finalise it by short presses to single-step the adjustment.

- **6.3.3 Number of cylinders**

*Be sure to move the throttle up and down during this procedure to best appreciate the overall effect of this adjustment.* Fit the yellow jumper link in the appropriate position on the header block. Pressing the up button will increase the number of cylinders and pressing the down button will decrease it. At the extremes of the adjustment range a short 'beep' will be heard, signifying that no further adjustment is possible. When a button is pressed, the adjacent yellow LED will light confirming that the press has been accepted.

The press and hold function is not appropriate for this adjustment. Holding the button down will actually stop the engine sound altogether. The cylinder count is only altered when the button is released. Waiting for the button to be released has the effect of 'debouncing' the switch contacts so accidental skipping of a setting is avoided and the user experiences a very positive selection 'feel'.

*Note that in the factory preset 'voices', some cylinders have a zero length exhaust pulse – this gap in the rhythm usually produces a very satisfying 'throbbing' sound, so for example in voice #1, this gap is introduced in cylinder 5, so there are 4 exhaust pulses but for reporting purposes the engine considers itself to be a 5 cylinder engine. A single exhaust pulse on its own does not sound very convincing, but in voice*

#6, only cylinders 1 & 2 are used, the remaining cylinders staying quiet – thus in 5 or 6 cylinder mode the two 'blats' close together followed by a long gap \*do\* sound very much like a single cylinder engine. So although the Sound System only nominally supports 2 to 6 cylinder operation, a single cylinder sound can be simulated.

- **6.3.4 Engine 'Voice'**

Be sure to adjust the throttle up and down and/or adjust the number of cylinders during this procedure to best appreciate the overall effect of this adjustment. Fit the yellow jumper link in the appropriate position on the header block. Pressing the up or down buttons will step through the different 'voices' available. At the extremes of the adjustment range a short 'beep' will be heard, signifying that no further adjustment is possible. When a button is pressed, the adjacent yellow LED will light confirming that the press has been accepted. To identify the 'custom' voices, capable of being adjusted by the user, a short 'deedle-dee' sound is played prior to a custom voice being asserted.

The press and hold function is not appropriate for this adjustment. Holding the button down will actually stop the engine sound altogether. The 'voice' is only altered when the button is released. Waiting for the button to be released has the effect of 'debouncing' the switch contacts so accidental skipping of a setting is avoided and the user experiences a very positive selection 'feel'.

- **6.3.5 Horn**

This may be adjusted at any time whether the engine is running or not. However, it cannot be adjusted whilst the horn is being asserted from the appropriate channel on the transmitter. If the engine is running, it replaces the engine sound each time an adjustment button is pressed. Users may prefer to stop the engine before commencing adjustment – but this is not essential. Fit the yellow jumper link in the appropriate position on the header block. Pressing the up button will increase the pitch of the horn and pressing the down button will decrease it. At the extremes of the adjustment range a short 'beep' will be heard, signifying that no further adjustment is possible. When a button is pressed, the adjacent yellow LED will light confirming that the press has been accepted.

The horn will sound for the duration of the button press and the pitch heard is saved when the button is released. Waiting for the button to be released has the effect of 'debouncing' the switch contacts so accidental skipping of a setting is avoided and the user experiences a very positive selection 'feel'.

- **6.3.6 Idle Time-out**

This may be adjusted at any time whether the engine is running or not.

Fit the yellow jumper link in the appropriate position on the header block. Pressing the up button will increase the timeout value by approximately 10 seconds and pressing the down button will decrease it by the same amount. To indicate the setting achieved, a succession of medium pitched 'beeps' will sound – each 'beep' indicating a Sound System of approximately 10 seconds [e.g. 2 beeps=20 seconds, 3 beeps=30 seconds]. No beep=0 seconds delay of course. At what would be the 100 second option (10 'beeps') the engine enters a continuous running mode and will only stop when power is removed. At the extremes of the adjustment range a higher pitched 'beep' will be heard, signifying that no further adjustment is possible. When a button is pressed, the adjacent yellow LED will light confirming that the press has been accepted.

The press and hold function is not appropriate for this adjustment. Holding the button down will actually stop the engine sound altogether (if running). The timeout value is only altered when the button is released. Waiting for the button to be released has the effect of 'debouncing' the switch contacts so accidental skipping of a setting is avoided and the user experiences a very positive selection 'feel'.

*Note the time-out periods are approximate – don't expect stop-watch precision here! There is no direct means of measuring time in the microcontroller chip, so engine revolutions are counted instead, appropriate compensation being applied at the different tick over speeds. But this means that different durations of the cylinder sounds in the various 'voices' can cause a small variation in the time-out value as indeed can a fractionally offset throttle as the idling speed can have some variation in the neutral zone, particularly if the larger of the two neutral zone options has been selected.*

- **6.3.7 Volume Control**

If only partial volume can be achieved or full volume occurs at partial rotation of the volume control then the separate blue link on the 3 pin header JP7 whose insertion positions are marked 'Lo' and 'Hi' needs to be altered to best match your battery voltage. The 'Lo' setting is optimised for 6V and 7.2V batteries and the 'Hi' for 12V batteries. The setting for intermediate battery voltages is best determined by experiment.

## **6.4 Engine Slow Down/Stop**

Two different rates of engine slow down/stop are available to simulate engines with large heavy flywheels (typically marine) or standard flywheels (typically road vehicles). To change between these variants hold the 'D' button pressed at power-up. Either a short or long 'beep' will be heard signifying the slow down rate now selected. Repeat the above process to swap back.

## 7. AUDIBLE WARNING SIGNALS

These provide feedback to the user in the categories of voice design, warnings, setting confirmation, and error conditions. For consistency, each category has a distinctive sound associated with it.

- **7.1 Voice Design**

Characterised by a short tune (what else!)

- **7.2 Warnings**

Characterised by a single high-pitched 'beep'. This occurs during normal operation when pressing the 'Up' or 'Down' keys and indicates that the attempted adjustment has reached the limit of its range.

- **7.3 Setting Confirmation**

Characterised by a medium-pitched 'beep' or succession of 'beeps'.

- Idle timeout - the effect of adjusting all the other parameters can be heard immediately, whereas this setting could take up to 90 seconds to make itself known. Thus, each time the idle timeout is adjusted (in 10 second increments) a succession of 'beeps' indicates the value just set. Obviously at the extremes of the range the high pitched warning 'beep' will be heard instead
- Number of cylinders – pressing the 'D' button will cause a succession of 'beeps' corresponding to the current cylinder setting
- Voice - pressing the 'D' button will cause a succession of 'beeps' corresponding to the current voice setting

- **7.4 Error Conditions**

Characterised by a low 'buzz' or succession of 'buzzes'. This indicates that either the attempted adjustment is inappropriate in the current situation or that a conflict or mismatch has occurred between the configuration of the Sound System and the connected RC channels. Inappropriate adjustments, indicated by a buzz for the duration of a button press, are as follows:-

- Attempting to adjust tick over, top speed, number of cylinders or voice whilst the engine is in the stopped condition. It is all too easy to completely muddle your settings without the audio feedback of what the engine is doing!
- Attempting to enter the voice designer mode to modify a factory preset 'voice'
- Attempting to adjust the pitch or duration of a cylinder beyond the range of the current engine setting (eg adjusting cylinder 5 on a 4 cylinder engine)
- Attempting to request the setting status of tick over, topspeed or horn
- Attempting to change the input control method (radio control or

potentiometer) at any time other than power-up

Alternatively, a succession of 'buzzes' may be heard. These usually occur at power-up and may be single, dual, triple or quadruple buzzes at a one second repetition rate. They indicate that a conflict or mismatch has occurred between the configuration of the Sound System and the connected RC channels, though in the simplest case it might mean that the transmitter has not been switched on! The number of buzzes corresponds to specific error/configuration mismatches and are dealt with in hierarchical order – thus a lower order problem may initially be masked by a higher order problem.

- Single buzz - the Sound System cannot detect a valid r/c signal on its primary throttle input
- Double buzz - the dual throttle option has been selected, but the Sound System cannot detect a valid r/c signal on its secondary throttle input.
- Triple buzz - the horn and/or the manual engine start/stop options have been selected but the Sound System cannot detect a valid r/c signal on its auxiliary channel input.
- Quadruple buzz – both the horn and the manual engine start/stop options have been selected and whilst the Sound System can see a valid r/c signal present on its auxiliary channel, the nature of that signal suggests it is a digital (switched) channel which can only operate a single option and not both. Note the Sound System cannot *know* if the channel is switched or proportional but assumes if the r/c signal is close to mid-band it is proportional as a switched channel will be at either extreme of its signal band. Thus it can be fooled by switching on with the auxiliary channel joystick held hard over.

The succession of buzzes which generally warn of a connection or configuration error at power-up can also occur during normal running if an invalid switch configuration is attempted or a channel becomes disconnected or fails.

*The single, double and triple error buzz conditions will clear when the channel is reconnected and/or the option links are set correctly again, but the quadruple buzz error will require the 5V receiver power to the Sound System to be cycled after the option link or channel assignment has been corrected.*

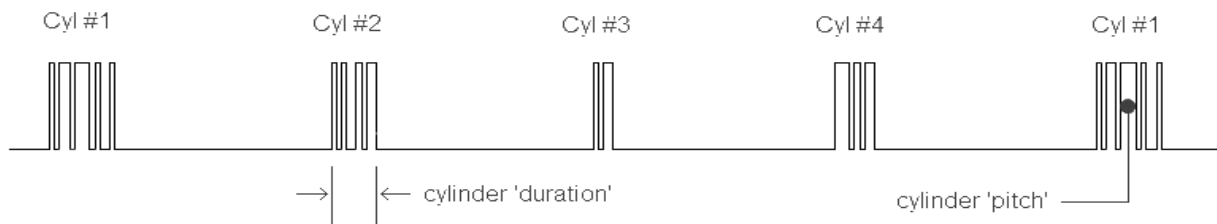


## 8. VOICE DESIGNER MODE

This mode allows the user to develop their own custom engine sounds for 'voices' 11 to 20 inclusive. All settings are saved in the Sound System's memory for subsequent recall the next time the Sound System is powered up.

First, a description of how the sound is produced, such that the user may better appreciate what they are adjusting!

The engine sound synthesis is based on emitting a short pulse of 'white noise' for each cylinder in turn, this representing the pulses of exhaust gas from each cylinder emerging from the exhaust pipe. Each cylinder pulse lasts for a preset 'duration' and the burst of transitions within that pulse determine the 'pitch' of the 'white noise'. The pitches and durations for each cylinder are stored in the 'voice' constants in the program. When, in the example below, the sequence of 4 different exhaust gas pulses is repeated it gives rise to a rhythmic beat. The (equal length) silent periods between pulses are increased or decreased in unison to vary the apparent speed of the engine.



Note that strictly speaking 'white noise' is random and neither does it possess 'pitch', but to simulate 'white noise' the microcontroller chip in fact produces a pseudo random data stream which by definition is repeatable so each cylinder sounds the same each time it fires. The clock rate of the pseudo random data stream can also be varied which gives tones ranging from a growl to a hiss. For ease of explanation this has been referred to as its 'pitch'.

Thus, in designing a 'voice' the user simply assigns a pitch and duration to each cylinder. As supplied, the custom 'voices' initially match the factory preset ones, thereby providing a good departure point for experimentation.

The Voice Designer mode can only be entered at power-up by pressing BOTH the 'Up' and 'Down' buttons. The buttons should both be pressed *before* power is applied. A short tune will play to indicate the mode has been entered successfully and the yellow keypress LED will be lit throughout the duration of this mode to serve as a reminder to the user. The LED will extinguish for the duration of a button press to acknowledge its operation. Attempting to enter this mode when one of the ten factory preset voices is selected will result in a low-pitched error buzz for as long as the keys remain pressed.

The group of six headers associated with the single yellow jumper link now

relate to cylinders 1 to 6 and the 'Up' and 'Down' buttons now increase or decrease the pitch of the sound for the selected cylinder. Each cylinder will accept 128 different pitch values. As before, a single high pitched beep signifies the limits of adjustment have been reached. Similarly, a low pitched buzz signifies an inappropriate adjustment is being attempted (such as adjusting cylinder 5 on a four cylinder engine). The higher pitches tend to give the sharp clatter of tappets and the lower pitches give more 'body' to the sound. A successful voice usually contains a range of pitches and durations to give the engine its characteristic 'beat'.

If the 'D' button is pressed and held then the 'Up' and 'Down' buttons now adjust the duration of the exhaust pulse from the selected cylinder. Each cylinder will accept 5 different duration values. As before, a single high pitched beep signifies the limits of adjustment have been reached. Similarly, a low pitched buzz signifies an inappropriate adjustment is being attempted (such as adjusting cylinder 5 on a four cylinder engine). The lowest duration is zero and setting one of the cylinders to this value will usually produce a very satisfying 'throbbing' sound. It then becomes a moot point as to how many cylinders the engine is operating on, but the cylinder setting confirmatory beep (only available in normal mode) will report any zero duration cylinders as being present.

As the group of six headers no longer control the normal functions (ie tick over, top speed etc) these parameters should be set – particularly the number of cylinders – prior to entering this mode. However, the throttle channel does remain active so may be swept up and down during the course of 'voice' design to judge the overall effect.

To facilitate skipping through 128 pitch values, a held key is acted upon each full cylinder cycle of the engine, so increase the engine speed to facilitate more rapid progress. A six cylinder engine at top speed takes around 20 seconds to cover the range whereas a two cylinder engine takes around 6 seconds.

The changes can be quite subtle so a short jab of the 'Up' or 'Down' key which increments or decrements the pitch by one unit should be thoroughly explored. To prevent a slow finger response causing the pitch to skip a value the engine should be running at a slow tick over when fine-tuning the sound.

A good sound is a *combination* of various pitches and durations across all of the cylinders, so slavishly adjusting one cylinder is unlikely to yield a result in itself.

*Note that not all combinations of pitch and duration make for entirely sensible sounds.*

To exit the voice designer mode the 5V receiver power must be switched off.

## **9. SUPPORT**

Any problems or queries relating to the connection or operation of the Sound System are best dealt with by first visiting [technobotsonline.com](http://technobotsonline.com) to see if others have experienced your problem and an answer has already been posted there. If not, then you can submit your query with the benefit that the answer you get will be available to future visitors.

To read/receive support, visit [www.technobotsonline.com](http://www.technobotsonline.com), type in 'engine sound' in the Search box. This will list the entire range of engine sound units. Select the Programmable Engine Sound System variant and then click on its Q and A tab. This lists all the questions and answers relating to this product. It may also be worth checking postings relating to the single sound petrol, diesel and steam units which have already been in the field for several years as generic problems may have been covered there. Note that the questions and answers may well spill over to further pages.

|

# Technobots

Electronic & Mechanical Components

**Technobots Ltd**  
**60, Rumbridge Street, Totton, Hants SO40 9DS**  
**Telephone: +44 (0)23 8086 4891**

[www.technobotsonline.com](http://www.technobotsonline.com)

**Visit our website to see our range of over 8,000 products for  
the electronics, modelling and engineering enthusiast.**