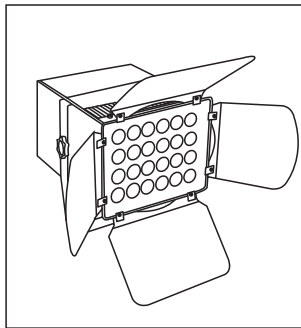
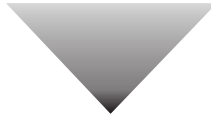


Please read over this manual before operating the light



USER MANUAL



Professional Stage LED show Lighting

TABLE OF CONTENT

Brief	1
Packing list	1
Opening the package.....	1
Spare parts.....	1
Installation and safety instruction	2
Installation.....	2
Installation situs.....	2
safety instruction.....	2
Use attention.....	2
Power supply and signal connect	3
Connect the power and control	3
Connect the signal cable.....	3
Operation instruction	4
Explanation of control panel and key-press.....	4
Main Function.....	5
Function setting.....	5
DMX Control Function.....	6
Menu functions.....	7
Safety warning and maintain	10
Safety warning.....	10
Maintain.....	10
Specification	10
Common breakdown solution	11

The manual of LED show system

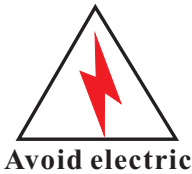
1、Brief

Thank you for purchasing of our professional **LED** show system. We always try to develop our product with high-tech and high performance to meet your requirement and expectation.

The unit is designed strictly according to the international standard. The control way is single or master/slave in option.

The manual is included the skill parameter and detail instructions etc. Please read the manual carefully before using the product.

⊙ SECURITY WARNINGS



Green package

2、Packing list

2 - 1 We use the carton to pack normally. You may choose the fly case.

2 - 2 Opening the package

Open the case and take out the enclosed spare parts, remove the drier, take the unit and put it in a flat place to operate.

2 - 3 Spare parts

With of exception of this equipment, the pacing enclosed as following

Spare parts			
The manual	1pcs		

3、 installation and safety instruction

3 - 1 installation:

It must be installed in the safety and best light angle.

Make sure that the power cable is never crimped or damaged. Check the device and power cable from time to time.

3 - 2 safety instruction

The fans and vent-pipes should not be jammed by other equipment and decorate material.

Do not light or extinguish frequently, otherwise the life of bulbs will be shortened. Try to avoid the using time too long.

The light must be fixture installed. Attention that prevent the strong shock. Do not use it under the damp and rain.

Prevent the dust into the product.

The light is applied for disco hall, KTV house, nightclub and various different performing occasions.

4、 power supply and signal connect

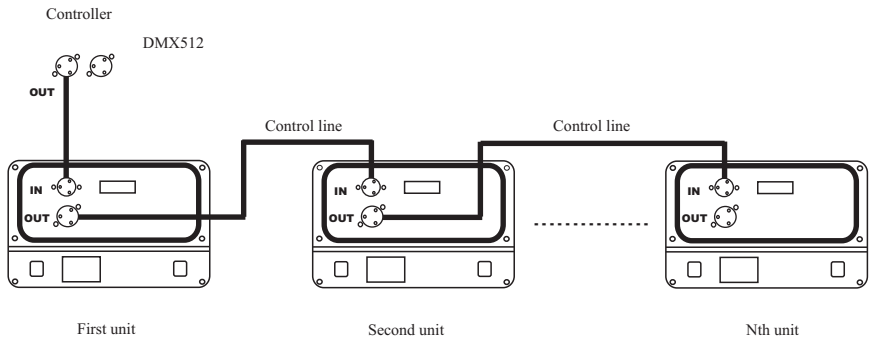
4 - 1 Connect the power and control

Use the professional plug to connect the LED light and power cable.
Before installing the unit, please confirm whether the voltage and frequency indicated on the real panel of LED light. Voltage and frequency parameters(is matching)

4 - 2 Connect the signal cable

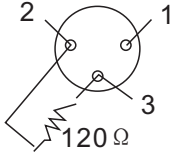
The LED light may be controlled the DMX 512 signal. Under sound and Atuo control.

the master/slave can be used. The master/slave mode is lined by signal line. Connect the DMX-out of the first fixture in the DMX-chain with the DMX-input of the next fixture. Always connect one output with the input of the next fixture until all fixtures are connected.

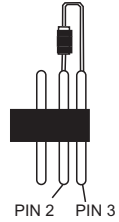


Caution: Please remember the signal output of last machine must connect the attached circle plug .The circle plug connect a 120 resistor between 2 feet and 3 feet canon plug. The signal reflects phenomena can be avoided by using circle plug during DMX 512 signal transfer.

(DMX TERMINATOR CONNECTION):

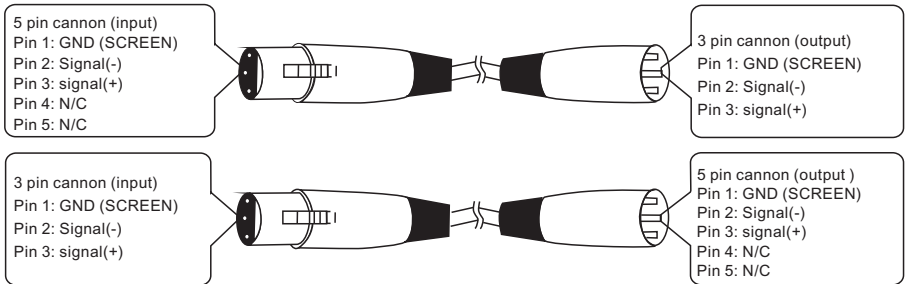


Connect a 120 resistor across 2-pin and 3-pin XLR plug and insert into the DMX OUT socket on the last unit in the chain.



The LED light use 3 feet XLR plug, if the controller you use is 5 feet XLR plug. You must use a inter change line from 5 feet to 3 feet. See the following. The transform of 3-pin and 5-pin XLR adaptor.

The 3pin and 5pin Canon DMX512 connector circuit

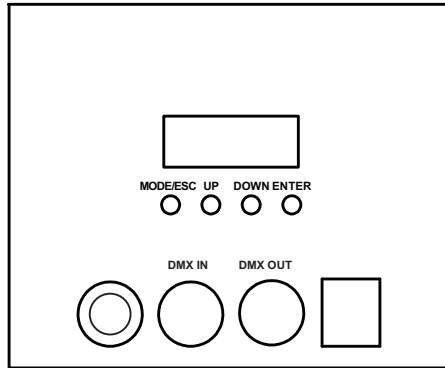


5、 Operation instruction

Below is the detail function explanation of this light:

5 - 1 Explanation of control panel and key-press.

1、 Display screen: Menu display and function instruction。



2、 Key-press Fuction:

MODE/ESC	To select the program functions
UP	Go to backward in the selected functions
DOWN	Go to forward in the selected functions
ENTER	To confirm the selected functions

3、 DMX IN/OUT: DMX512 input/ output link

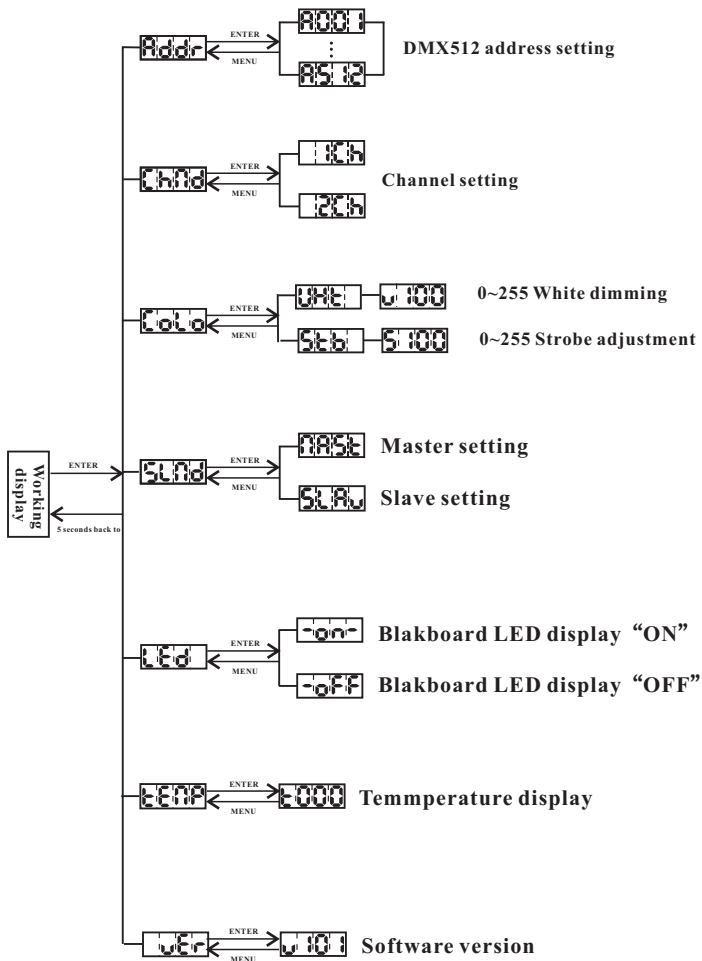
5 - 2 Main Function

Under the DMX control mode, Firstly you have to set the channel mode and address on the control panel . the detail of setting please refer to the back chart .

5 - 3 Function setting operation:

To select any of the pre-set functions, please press the (MENU) and the (UP) and the (DOWN) of the back panel to set. Once the required function has been selected, press the (ENTER) button enter to the next menu or con-firm the selected function . Press the (MENU) or (DOWN) also can return to forward menu .

5 - 4The fixture main function show below chart::

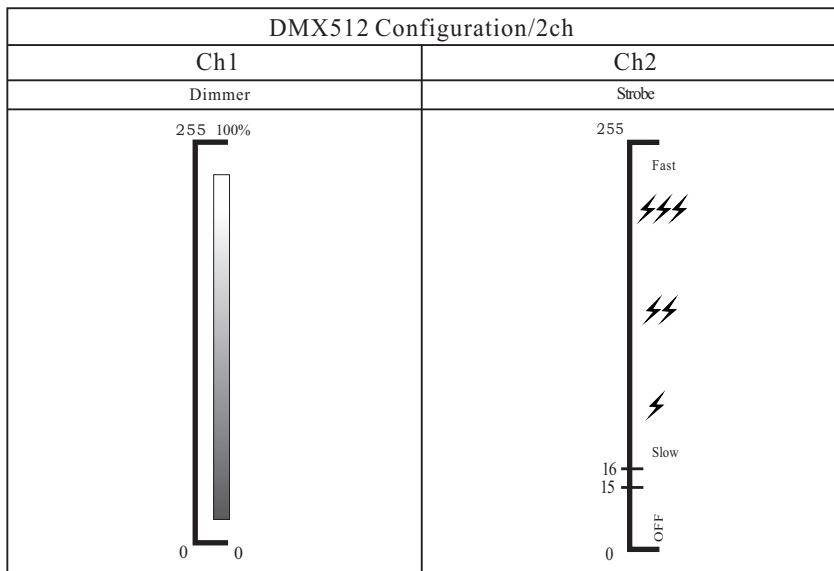
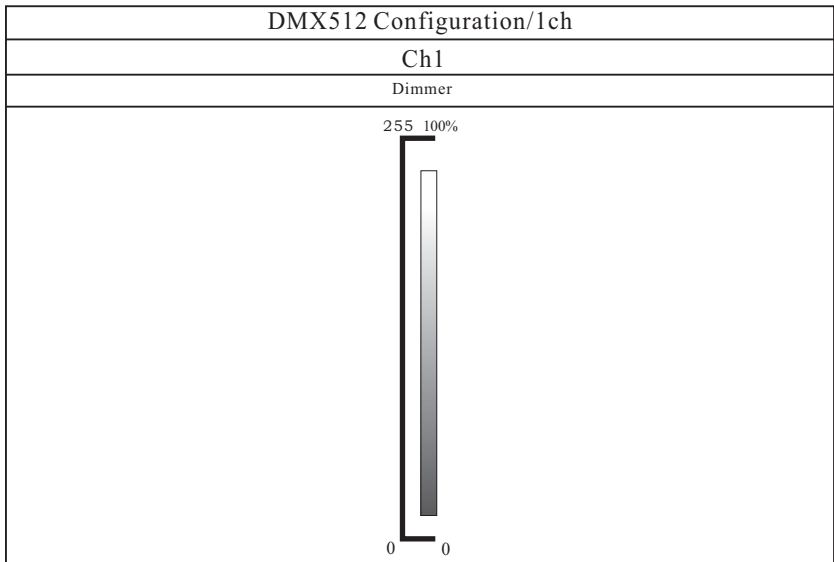


Menu Functions:

- Addr** DMX 512 Address Setting
Can set DMX address code from 1 to 512.
- Chan** Channel Mode
The lamp has two-channel mode, according to menu choice.
- White** In this mode,you can adjust the White brightness by presing UP/DOWN buttons to select **5000** -- **5255** Automatic mode with flash
- Stb** In this mode,you can adjust the speed by presing UP/DOWN buttons to select **5000** -- **5255**
- Slnd** Master and slave selection
MAST is master mode; **SLAV** is slave mode, A loop can be set only one host, or else there will be chaos lamps flicker,the other for the DMX input mode will be automatically recognized as a slave mode.
- LEd** LED display inversion
on display normal; **off** display inversion.
- TEMP** Temperature display
- VER** Software version

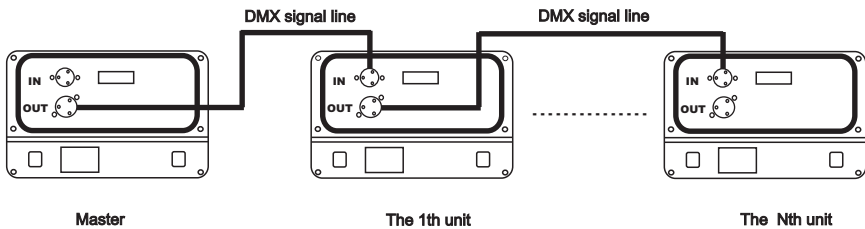
5 - 4 Universal DMX controller:

The user need to set the lighting channel mode first while control by universal DMX controller. It can set the channel mode from its LED displaypanel. Please refer to the following diagram to use your controller to activate the fixture:



5 - 5 Mast/slave mode operation:

The fixtures will allow you to link others fixtures together and operate without a controller. In master/slave mode, the first fixture will control the others to give an automatic or sound activated, synchronized light show. This function is good when you want an instant show. Attention: The first unit its DMX input cable will have nothing connect it. and the other fixtures will be set in slave mode automatically. Their DMX input cables connect the last fixture DMX output cable (daisy chain).any fixture can act as a Master or as a Slave .Please refer to the following diagram to link the others fixtures.



5-6 Fan speed control:

Fan speed controls by temperature, fan stop under 50 degree and null load, fan micro run the fan speed under 50 degree and full load, is highest when the temperature gets up to 60 degree. The current of LED low down when the temperature gets up to 70 degree, light will turn off when the temperature gets up to 80 degree.

6、 Safety warning and maintain

6 - 1 Safety warning:

- 1、 The product must be installed by a qualified professional. Please do not open the equipment.
- 2、 The fans and air-vents should not be jammed by other equipment or decorate materials.
- 3、 Avoid looking directly in the light source.

6 - 2 Maintain:

- 1、 Please read the user manual in detail before operating the equipment .Please call the technician in case the machine broken down.
- 2、 Keep the equipment away from water or moisture.
- 3、 Make sure the power is off and the equipment is not connected to the mains power supply before opening the unit or carrying and any maintenance.
- 4、 If there has been any damaged caused to the LED bulbs by the user

7、 Specification

- 1、 **Voltage:AC90~260V,50~60Hz**
- 2、 **Rated Power:90W**
- 3、 **LED Color:24x3W CREE Chip**
- 4、 **DMX Channels: :1CH、 2CH / 2CH、 3CH**
- 5、 **Version:1.01**
- 6、 **Scan angle:20°/30°/60°**
- 7、 **Size:310×230×240mm**
- 8、 **N.W/G.W:3.4Kg/4.2Kg**

Product common breakdown comparative chart

Breakdown cause	Major breakdown analysis and solution
The fixture no work	<ol style="list-style-type: none"> 1. Check the power cable whether to connect the fixture, whether the fuse does burn out. 2. Check the input voltage whether to assign the voltage match with the fixture.
No sound control	<ol style="list-style-type: none"> 1. Check the address code or the display whether establishes according to the instruction booklet is the voice control pattern. 2. Check the potentiometer possibly moves is smallest, attempt to adjust the potentiometer.
The fixture can bright normally, but it not controlled by controller	<ol style="list-style-type: none"> 1. Please check the fixtures' DIP outset address setting whether correctly. 2. Please check the XLR signal cable whether be damage.
Master-slave mode, The master mode is normal, but slave mode is not normal	<ol style="list-style-type: none"> 1. Please conformed only one for the master and the master without DMX be connected, and to set master as sound control or auto pattern. 2. If the Master-slave setting is right but still have problem, please check the XLR connect cable.
The button malfunction, does not work.	<ol style="list-style-type: none"> 1. Check the buttons whether to have some button not to have the normal reset.
The fixtures' brightness obvious dim	<ol style="list-style-type: none"> 1. Check the LED tubes or the laser already whether to be service life. 2. Check the internal and external optical system whether to be clean.