

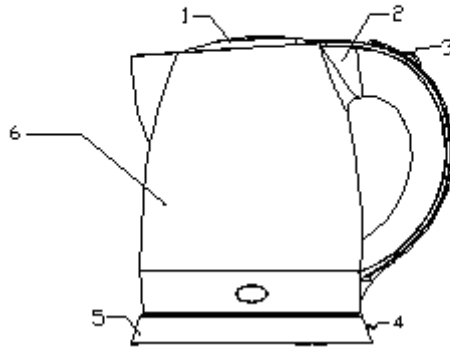


**Cordless
Water Kettle 1.0 litre
SY-HV10**

WELCOME

Thank you for having purchased the SY-HV10. To fully benefit from this cordless kettle please read this instruction manual carefully. In order to avoid damage or personal injuries, always follow the safety instructions given in this user manual.

GENERAL DESCRIPTION



- 1) Lid
- 2) Handle
- 3) On/Off switch
- 4) Power cord with plug
- 5) Base
- 6) Body

SAFETY INSTRUCTIONS

- This appliance is designed for domestic use only and not for commercial applications

Sytech is not responsible for damage resulting from improper use or from non-compliance with the user manual.

- Please keep these instructions for future reference. If the appliance is passed on to another person, this user manual should be passed on as well.
- Before inserting the mains plug into the socket, check that the mains supply voltage and current rating corresponds with the power supply details shown on the model label of the appliance.

- Never allow the base or the bottom of the kettle to make contact with water. Never immerse the base or the kettle in water. Should any of the above occur, contact Sytech Service Centre before using it again.
- In order to comply with safety regulations and to avoid hazards, repairs of electrical appliances must be carried out by qualified personnel. If repairs are needed, please contact Sytech Service Centre.
- If the supply cord is damaged, contact Sytech Service Centre.
- DO NOT operate the appliance if:
 - The appliance or the power cord are damaged
 - The appliance has been dropped.
- Always remove the plug from the wall socket:
 - After use
 - In case of any malfunction
 - Before cleaning
- When removing the plug from the wall socket, never pull on the power cord.
- Always place the appliance away from children.
- Children must be supervised to ensure that they do not play with the appliance.
- Do not attempt to remove any parts of the housing nor insert any metal objects into the interior of the appliance.
- To prevent damage to the power cord, always keep it away from sharp edges or corners.
- Do not place the power cord over or near hot surfaces.
- Do not expose the appliance to rain or moisture and do not operate the appliance outdoors or with wet hands.
- Only use clean cold water, and let the water run for approximately 1-2 minutes before filling.
- CAUTION: The appliance operates at very high temperatures; there is a chance of scalding from the escaping water or steam. Do not touch any part of the kettle except the handle when the appliance is in use and ensure that the lid is properly closed.
- This appliance is designed to heat water only. Do not put any other liquid into the kettle.
- If there is no water inside the kettle, do not turn the kettle on.
- When using the appliance, always pay attention to the water level marking on the exterior of the kettle. Do not let the water level drop below the minimum level and never exceed the maximum level.
- If the kettle is overfilled, boiling water may overflow causing the risk of scalding.
- Always place the appliance on a firm and uniform surface.
- This appliance is not intended for use by persons (including children) with reduced physical, sensory or mental capabilities, or lack of experience and knowledge, unless they have been given supervision or instructions concerning use of the appliance by a person responsible for their safety.
- WARNING: never open the lid when the water is boiling.
- Always use the kettle with the base provided.

Before the first use –

- Prior to initial use, clean it by going through several boiling cycles using clean water each time and filling the kettle to its maximum capacity. The water will reach boiling point after approximately 5 minutes. At this point the appliance switches off automatically.

Using the SY-HV10 –

- Place the heating base on a firm and uniform surface
- Pour the desired amount of water into the kettle and make sure the lid is closed properly. The water level can be measured by the level mark on the exterior of the appliance. Once the appliance is functioning, do not touch any part other than the handle.
- Place the kettle carefully onto the base.
- Insert the plug into the wall socket.
- Turn on the appliance to start the heating process, the indicator lamp will turn on showing that the appliance is functioning.
- As soon as the water has boiled, the appliance will switch off automatically. If a lower water temperature is desired, the appliance can be switched off manually as well.
- The water may now be poured safely through the spout into another container.

Safety cut-out feature –

- The SY-HV10 is equipped with a safety cut out feature. Should the kettle have no water and the switch is turned on, the switch will automatically turn off.
- In such cases, unplug the appliance and reuse it after 15-20 seconds.

Decalcifying –

- If the appliance switches off before reaching boiling point, it is a sign that decalcifying is needed.
- Any regular de-scaling agent may be used, provided that the relevant instructions are observed.
- To clean the kettle thoroughly after decalcification, let it go through several boiling cycles using clean water each time. Rinse the kettle with clean water afterwards and let it dry before re-use.

CLEANING AND CARE

- Always ensure that the plug is disconnected from the wall socket, and that the unit has fully cooled down before cleaning the kettle.
- Do not use abrasive cleaning products.
- Do not immerse the base or kettle in any liquids. To clean the body (exterior), use a slight moist lint-free cloth.
- It is advisable to remove lime deposits from the kettle at regular intervals.

SPECIFICATIONS

Supply Voltage: 220~240V, 50/60Hz, 1350W-1600W

Power Consumption: 1500W

SY-HV10 Capacity: 1.0 Litre



You can help protect the environment!
Please remember to respect the local regulations: hand-
in the non-working electrical equipments to an appropriate
waste disposal centre

DECLARATION OF CONFORMITY

Manufacturer Name: Satyatrade S. L.

Address: Pol. Ind. La Raya. C/ Guadalquivir, 2.

Camarma de Esteruelas, 28816 Madrid

Tel: 902 430 967

Fax: 91 8864285

NIF: B83254763

Manufacturing country: China

Sytech® SY-HV10 complies with the following directives:

CE standard: EMC Directive 2004/108/EC

EN 55014-1 :2006

EN 55014-2:1997/+A1:2001/+A2:2008

EN 61000-3-2:2006

EN 6100-3-3:2008

Low Voltage Directive: 2006/95/EC

EN 60335-2-15:2002+A1:05+A2:2008

EN 60335-1:2002+A11,A1:04+A12,A2:06+A13:2008

EN 62233:2008

ROHS standard:2002/95/EC Restriction of Hazardous Substance

Signed: Ajeet Nebhwani Utamchandani

Sole Administrator



CE



 **RoHS**

