

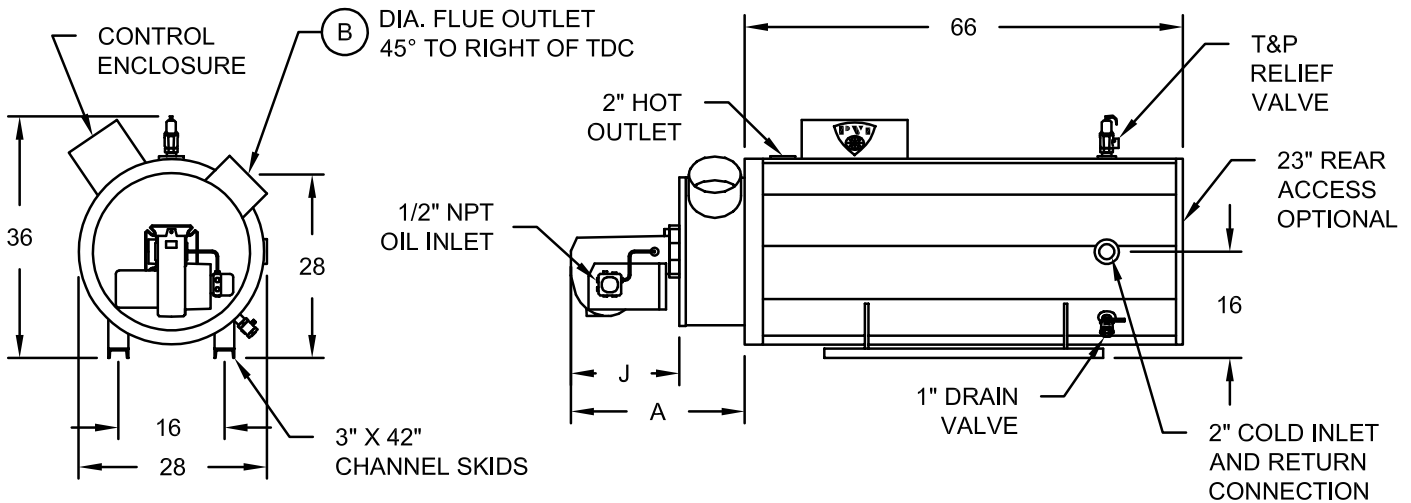


TURBOPOWER® OIL • PACKAGED WATER HEATER  
POLYSHIELD® POLYMER-LINED STORAGE TANK

TANK SERIES 125 GALLONS HORIZONTAL

Model Number	Recovery gph ①		Input Btu/h	Gph #2 Oil	Dimensions (inches)			Blower Motor		Shipping Weight lbs
	40°- 120°F	40°- 140°F			A	B	J ⊕	HP	Volt/Ph/Amps	
250 PHE 125A-TPO	250	200	199,000	1.4	24	4	17	1/3	115/1∅/8	970
500 PHE 125A-TPO	500	400	399,000	2.8	24	5	17	1/2	115/1∅/10	990
750 PHE 125A-TPO	750	600	600,000	4.3	27	6	17	1/2	115/1∅/10	1070
1000 PHE 125A-TPO	1000	800	800,000	5.7	27	8	17	1/2	115/1∅/10	1110
1250 PHE 125A-TPO	1250	1000	1,000,000	7.2	27	8	17	1/2	115/1∅/10	1350
1500 PHE 125A-TPO	1500	1200	1,200,000	8.6	27	8	17	1/2	115/1∅/10	1360

- ① Recoveries based on 83% thermal efficiency. ASHRAE 90.1 compliant for efficiency and standby loss.
- ② "J" dimension is for the burner housing only.  
Dimensions are in inches unless otherwise specified.  
For standard and optional equipment, see form PV 6006.



**VENTING REQUIREMENTS**  
-.02" TO -.06" W.C. (NEGATIVE PRESSURE)  
*ENTIRE VENT SYSTEM SHOULD NEVER BE SIZED BASED UPON THE VENT CONNECTION DIAMETER EXCLUSIVELY. FOR PROPER SIZING, CONSULT VENTING SUPPLIER.*

**STANDARD ELECTRICAL REQUIREMENTS**  
CONTROL VOLTAGE: 120V, 1∅, 60 HZ., 2 AMPS.  
MOTOR VOLTAGE:  
208V, 230V, AND 460V MOTORS ARE AVAILABLE BUT WILL REQUIRE A SEPARATE 120V/2 amps CONTROL CIRCUIT OR AN OPTIONAL CONTROL CIRCUIT TRANSFORMER.

PVI RESERVES THE RIGHT TO CHANGE THE DESIGN AND SPECIFICATION WITHOUT NOTICE.