

MVXA-2016

MULTI-CHANNEL AUDIO/VISUAL MONITOR PANEL USER'S MANUAL



Specifications are subject to change without notice

AtlasSound.com

1601 JACK MCKAY BOULEVARD ENNIS, TEXAS 75119 U.S.A. • TELEPHONE: (800) 876-3333 • FAX: (800) 765-3435

©2007 ATLAS SOUND LP

Printed in China

ATS000384 RevC 04/07



TABLE OF CONTENTS

Important Safety Instructions.....2

1.0 Introduction.....X

2.0 FeaturesX

3.0 Front Panel FunctionsX

4.0 Rear Panel Functions.....X

10.0 SpecificationsXX

11.0 Warranty InformationXX



**Atlas
Sound**

Specifications are subject to change without notice

AtlasSound.com

1601 JACK MCKAY BOULEVARD ENNIS, TEXAS 75119 U.S.A. • TELEPHONE: (800) 876-3333 • FAX: (800) 765-3435

©2007 ATLAS SOUND LP

Printed in China

ATS000384 RevC 04/07



The lightning flash with arrowhead symbol within an equilateral triangle, is intended to alert the user to the presence of uninsulated "dangerous voltage " within the product's enclosure that may be of sufficient magnitude to constitute a risk of electric shock to persons.



The exclamation point within an equilateral triangle is intended to alert the user to the presence of important operating and maintenance (servicing) instructions in the literature accompanying the product.



IMPORTANT SAFETY INSTRUCTIONS

1. Read these instructions.
2. Keep these instructions.
3. Heed all warnings.
4. Follow all instructions.
5. Do not use this apparatus near water.
6. Clean only with dry cloth.
7. Do not block any ventilation openings. Install in accordance with the manufacturer's instructions.
8. Do not install near any heat sources such as radiators, heat registers, stoves, or other apparatus (including amplifiers) that produce heat.
9. Do not defeat the safety purpose of the polarized or grounding-type plug. A polarized plug has two blades with one wider than the other. A grounding type plug has two blades and a third grounding prong. The wide blade or the third prong are provided for your safety. If the provided plug does not fit into your outlet, consult an electrician for replacement of the obsolete outlet.
10. Protect the power cord from being walked on or pinched particularly at plugs, convenience receptacles, and the point where they exit from the apparatus.
11. Only use attachments/accessories specified by the manufacturer.
12. Use only with the cart, stand, tripod, bracket, or table specified by the manufacturer, or sold with the apparatus. When a cart is used use caution when moving the cart/apparatus combination to avoid injury from tip-over.
13. Unplug this apparatus during lightning storms or when unused for long periods of time.
14. Refer all servicing to qualified service personnel. Servicing is required when the apparatus has been damaged in any way, such as power-supply cord or plug is damaged, liquid has been spilled or objects have fallen into the apparatus, the apparatus has been exposed to rain or moisture, does not operate normally, or has been dropped.
15. **WARNING:** To reduce the risk of fire or electric shock, this apparatus should not be exposed to rain or moisture and objects filled with liquids, such as vases, should not be placed on this apparatus.
16. To completely disconnect this equipment from the mains, disconnect the power supply cord plug from the receptacle.
17. The mains plug of the power supply cord shall remain readily operable.



Specifications are subject to change without notice

AtlasSound.com

1601 JACK MCKAY BOULEVARD ENNIS, TEXAS 75119 U.S.A. • TELEPHONE: (800) 876-3333 • FAX: (800) 765-3435

©2007 ATLAS SOUND LP

Printed in China

ATS000384 RevC 04/07



WARNING WHEN THE DEVICE IS IN USE

- To prevent electric shock, do not remove the product cover as there are high voltage components inside. Refer all servicing to Atlas Sound.
- Should any of the following irregularities occur during use, immediately switch off the power, disconnect the power cord from the AC outlet and contact Atlas Sound. Do not attempt to continue operation with the product as this may cause fire or electric shock:
 - Smoke or strange smell coming from the unit.
 - If the product falls or the case is damaged.
 - If water or any metallic objects falls into the product.
 - If the power supply cord is damaged in any way.
 - If the unit is malfunctioning.
- Do not insert or drop metallic objects or flammable materials into the ventilation holes of the product's cover, as this may result in electric shock or fire.
- Do not place any containers with liquid or metallic objects on the top of the product. If any liquid spills into the unit, fire or electric shock may result.
- Never operate this product or touch the power supply cord during an electrical storm, electric shock may result.
- Never exceed the wattage on the product when connecting equipment. Fire and/or property damage may result.
- Operate the product only with the voltage specified on the unit. Fire and/or electric shock may result if a higher voltage is used.
- Do not modify, kink, or cut the power cord. Do not place the power cord in close proximity to heaters and do not place heavy objects on the power cord, including the product itself, doing so may result in fire or electrical shock.
- Replace the protective cover over the speaker terminals after installation. Do not touch the 70V speaker terminals as electric shock may result.
- Ensure that the safety ground terminal is connected to a proper ground. Never connect the ground to a gas pipe as a catastrophic disaster may result.
- Be sure the installation of the product is stable, avoid slanted surfaces as the product may fall and cause injury or property damage.



CAUTION When Installing the Product

- Plugging in or unplugging the power cord with wet hands may result in electric shock.
- Never move the unit with the power cord plugged into the wall, as damage to the power cord may result. When unplugging the cord from the wall, grasp the plug, NOT the cord.
- Never install this product in humid or dusty locations, nor in direct sunlight, near sources of heat, or in areas where sooty smoke or steam are present. Fire and electric shock may result.
- Keep all sides of the unit at least 3½" away from objects that may obstruct air flow to prevent the unit's internal temperature rise.



Specifications are subject to change without notice

AtlasSound.com

1601 JACK MCKAY BOULEVARD ENNIS, TEXAS 75119 U.S.A. • TELEPHONE: (800) 876-3333 • FAX: (800) 765-3435

©2007 ATLAS SOUND LP

Printed in China

ATS000384 RevC 04/07



CAUTION When the Product is in Use

- When powering the product up for the first time, ensure that the level control is turned down. Unexpected high sound pressure levels may be present at the speakers and result in hearing loss.
- Never place heavy objects on the product, causing it to fall and/or break, resulting in personal injury and property damage. In addition, the product itself may fall and cause injury and property damage.
- Never operate the product for extended periods with the sound in a distorted condition. This is an indication of a malfunction, which may result in excessive heat being generated and causing a fire.
- Contact Atlas Sound for instructions on cleaning the inside of the unit. Large accumulations of dust inside the unit may result in heat buildup and fire.
- Ensure that the power supply plug is securely plugged into the wall outlet. Never allow dust to accumulate on the power plug or inside the wall outlet.
- When cleaning the unit or the unit is not to be operated for an extended time period, unplug the power cord from the wall.



Specifications are subject to change without notice

AtlasSound.com

1601 JACK MCKAY BOULEVARD ENNIS, TEXAS 75119 U.S.A. • TELEPHONE: (800) 876-3333 • FAX: (800) 765-3435

©2007 ATLAS SOUND LP

Printed in China

ATS000384 RevC 04/07



1.0 INTRODUCTION

The Atlas Sound MVXA-2016 efficiently monitors 16 audio levels from -30 dBv (line level reference) to 100Vrms by either audio selection and / or visual LED bar graph. All 16 channels can be visually monitored simultaneously as each signal has its own ten segment LED bar graph. Signal type of each channel is individually set by selecting the individual channel DIP switch settings for monitoring any combination of 25v, 70v, 100v, or line level signal inputs.. For fine tuning of the bar graph, a calibration pot per channel has been incorporated. Audio monitoring include an internal speaker, a headphone jack, a 3 watt speaker output for connection to an external speaker, and a line level output for connection to an amplifier.

2.0 FEATURES

- 16-channel audible and visual monitoring
- Single rack-unit design (1RU)
- Selectable input references of 1Vrms, 25Vrms, 70Vrms, or 100Vrms
- Accurate visual monitoring of all channels simultaneously
- 10 segment LED's display for easy identification of referenced signal levels
- LED meter with calibration control per channel.
- Internal speaker
- Headphone jack
- Line level output
- External 3w speaker output



Specifications are subject to change without notice

AtlasSound.com

1601 JACK MCKAY BOULEVARD ENNIS, TEXAS 75119 U.S.A. • TELEPHONE: (800) 876-3333 • FAX: (800) 765-3435

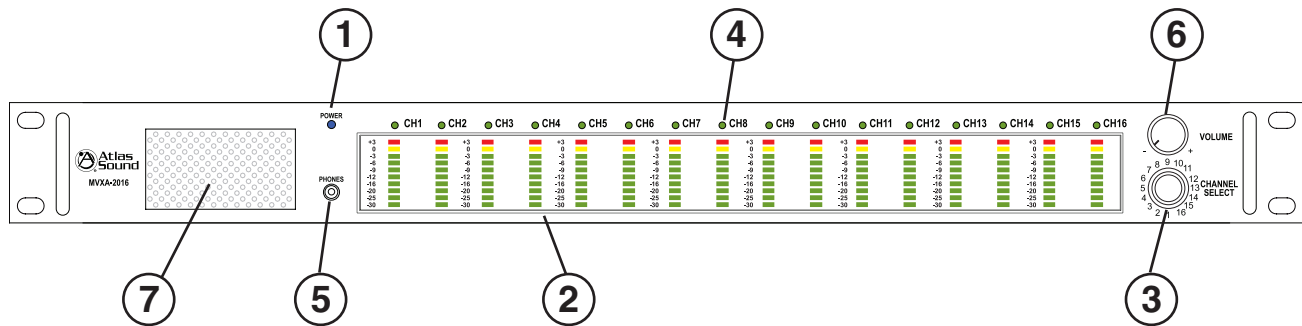
©2007 ATLAS SOUND LP

Printed in China

ATS000384 RevC 04/07



3.0 FRONT PANEL FEATURES



1. Power On LED

Illuminates Blue when the external power supply is plugged into the power socket and the power supply is plugged into an AC source.

2. Level LED's

10 LED's per channel indicates the status of the signal level: Signal, -30dB, -25dB, -20dB, -16dB, -12dB, -9dB, -6dB, -3dB, -0dB, +3dB

3. Channel Select Switch

Only one channel can be monitored audibly at one time. Rotate the switch until the desired channel is elected. The channel LED at the top of the panel will illuminate indicating which channel is selected.

4. Channel Select LED

The channel LED will illuminate indicating which channel is selected for audio monitoring.

5. Headphone Jack

Audio monitoring can be accomplished by inserting a mini 1/8" stereo headphone plug into the socket. Select the proper channel for monitoring by using the Channel Select Switch. Note: Turn the level control down prior to inserting a headphone.

6. Volume Control

The volume control potentiometer adjusts the level of the headphone jack, the internal speaker and the external speaker output.

7. Internal Speaker

Audio monitoring can be accomplished by the internal speaker. Select the proper channel for monitoring by using the Channel Select Switch. Note: Turn the level control down prior to making selection.



Specifications are subject to change without notice

AtlasSound.com

1601 JACK MCKAY BOULEVARD ENNIS, TEXAS 75119 U.S.A. • TELEPHONE: (800) 876-3333 • FAX: (800) 765-3435

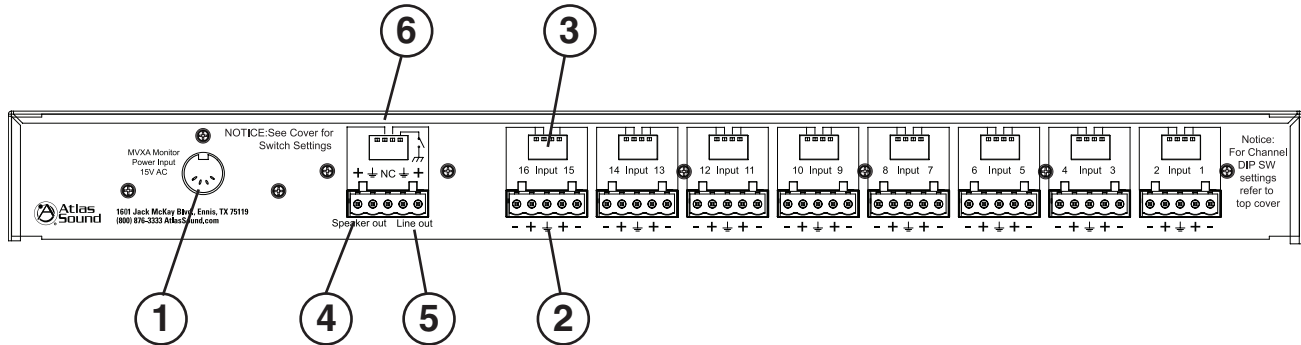
©2007 ATLAS SOUND LP

Printed in China

ATS000384 RevC 04/07



4.0 REAR PANEL FEATURES



1. Power Supply Socket

An external UL rated 120v power supply has been included with the MVXA-2016. Only use the provided power supply due to the specific DC voltages required to operate the unit.

2. Input Connectors

There are 8 removable 5 Pin Phoenix type connectors for providing input signal to the unit. They can accept either a balanced or unbalanced line level signal. For balanced Line Level signals connect Ground to "GND Symbol", Positive signal to "+" and Negative signal to "-". For unbalanced Line Level signals connect the "-" to the "GND Symbol" together and the Positive to "+". For high level speaker signals connect the speaker positive to the "+" terminal and the speaker negative to the "-" terminal.

Note: Prior to hook up refer to the top cover for input level switch setting. Make selection accordingly.



Specifications are subject to change without notice

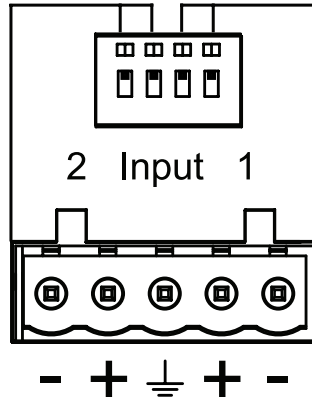
AtlasSound.com

1601 JACK MCKAY BOULEVARD ENNIS, TEXAS 75119 U.S.A. • TELEPHONE: (800) 876-3333 • FAX: (800) 765-3435

©2007 ATLAS SOUND LP

Printed in China

ATS000384 RevC 04/07



Set Each Channel's 0dB Reference level	25V	70V(Default Setting)	100V	Line Level	<p>WARNING</p> <p>Adjust switches only as shown in these diagrams before applying power!</p>																																																
	Switch Setting	<table border="1"> <tr><th colspan="2">CH2</th><th colspan="2">CH1</th></tr> <tr><td>1</td><td>2</td><td>3</td><td>4</td></tr> <tr><td>Off</td><td>On</td><td>Off</td><td>On</td></tr> </table>	CH2			CH1		1	2	3	4	Off	On	Off	On	<table border="1"> <tr><th colspan="2">CH2</th><th colspan="2">CH1</th></tr> <tr><td>1</td><td>2</td><td>3</td><td>4</td></tr> <tr><td>On</td><td>Off</td><td>On</td><td>Off</td></tr> </table>	CH2		CH1		1	2	3	4	On	Off	On	Off	<table border="1"> <tr><th colspan="2">CH2</th><th colspan="2">CH1</th></tr> <tr><td>1</td><td>2</td><td>3</td><td>4</td></tr> <tr><td>Off</td><td>Off</td><td>Off</td><td>Off</td></tr> </table>	CH2		CH1		1	2	3	4	Off	Off	Off	Off	<table border="1"> <tr><th colspan="2">CH2</th><th colspan="2">CH1</th></tr> <tr><td>1</td><td>2</td><td>3</td><td>4</td></tr> <tr><td>On</td><td>On</td><td>On</td><td>On</td></tr> </table>	CH2		CH1		1	2	3	4	On	On	On
CH2		CH1																																																			
1	2	3	4																																																		
Off	On	Off	On																																																		
CH2		CH1																																																			
1	2	3	4																																																		
On	Off	On	Off																																																		
CH2		CH1																																																			
1	2	3	4																																																		
Off	Off	Off	Off																																																		
CH2		CH1																																																			
1	2	3	4																																																		
On	On	On	On																																																		
Reference Voltage	25 Vrms	70 Vrms	100 Vrms	1 Vrms																																																	
Power Ref.into 8 ohms	78 Watts	613 Watts	1250 Watts	0.13 Watts																																																	
Power Ref.into 4 ohms	156 Watts	1225 Watts	2500 Watts	0.25 Watts																																																	

3. Input Level Settings

Each channel has 2 DIP switches that configures the level settings to meet the monitoring requirements.

Note: Prior to hook up refer to the top cover for input level switch setting. Make selection accordingly. Failure to make proper settings will affect the LED's meter accuracy.

4. Speaker Output

There are 2 terminals provided for an external speaker connector. The amplifier out put is 3 watts into an 8Ω load. You must select between using the internal or external speaker but not both together. Refer to the top cover for the proper switch selection. Note: The speaker output is "Post" the front panel Volume control.



Specifications are subject to change without notice

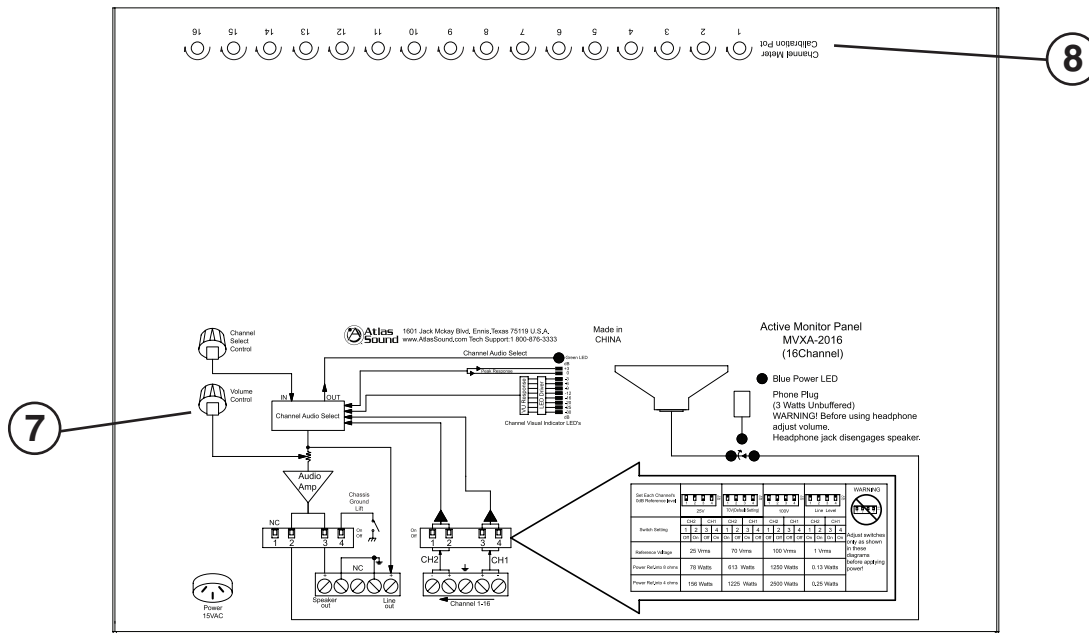
AtlasSound.com

1601 JACK MCKAY BOULEVARD ENNIS, TEXAS 75119 U.S.A. • TELEPHONE: (800) 876-3333 • FAX: (800) 765-3435

©2007 ATLAS SOUND LP

Printed in China

ATS000384 RevC 04/07



5. Line Level Output

There are two terminals for an Unbalanced Line Level output. This output is “Pre” front panel Volume control. Refer to top cover for proper wiring instructions.

6. Ground lift Switch

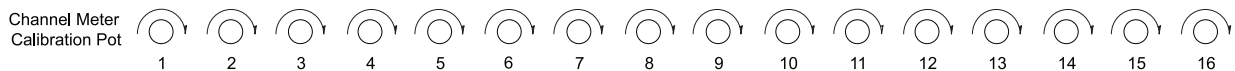
An circuit to earth ground lift switch has been incorporated if you are experiencing any grounding issues. Refer to the top cover for the proper switch selection.

7. Top Cover Settings and Wiring Information

The top cover has the MVXA switch setting and wiring diagrams. We are sorry for the inconvenience of this.

8. Channel Level Calibration Potentiometers

After each channels has the proper level switch settings and further visual meter calibration is needed, adjust the proper channels potentiometer for desired viewing level. **Note: Once adjusted, the meters may not match the dB front panel settings.**



Specifications are subject to change without notice

AtlasSound.com

1601 JACK MCKAY BOULEVARD ENNIS, TEXAS 75119 U.S.A. • TELEPHONE: (800) 876-3333 • FAX: (800) 765-3435

©2007 ATLAS SOUND LP

Printed in China

ATS000384 RevC 04/07



10.0 SPECIFICATIONS

- Type; Analog 16 channels audio / visual monitor
- Input Impedance: 600 Ohms
- Line Output Impedance: 600 Ohms
- Speaker Out: Minimum Load 8 ohms, 3 Watts
- Internal Speaker 3 Watts
- Meter Sensitivity: -30dB to +3dB
- Input Level Range: 1vrms, 25v, 70v, 100v
- Frequency Response: +/- 3dB (35Hz to 20kHz)
- Floor Noise: 50dB
- Distortion: <2%

Front Panel

- Level Meters: 10 segment LED per channel
- Mini Headphone jack 1/8" stereo
- Power LED
- Internal speaker output
- Speaker / Headphone Volume control
- Channel audio monitor selection switch

Rear Panel

- Phoenix Input connectors line and speaker level
- Level setting selection switches
- Phoenix Speaker connectors
- Speaker monitor selection switch
- Line Out phoenix connectors
- Ground Lift Switch
- DC Power Receptacle

Top Cover

- 16 Channel Level Calibration Potentiometers
- Top Cover Settings and Wiring Information

General

- Power: 115V UL Rated External DC Power Supply
- Dimensions: 19"x1.75"x13.2" (483x44x335mm)
- Weight: 9.9 lbs, 4.5kg



Specifications are subject to change without notice

AtlasSound.com

1601 JACK MCKAY BOULEVARD ENNIS, TEXAS 75119 U.S.A. • TELEPHONE: (800) 876-3333 • FAX: (800) 765-3435

©2007 ATLAS SOUND LP

Printed in China

ATS000384 RevC 04/07



Limited Warranty

All products manufactured by Atlas Sound are warranted to the original dealer/installer, industrial or commercial purchaser to be free from defects in material and workmanship and to be in compliance with our published specifications, if any. This warranty shall extend from the date of purchase for a period of three years on all Atlas Sound products, including SOUNDOLIER brand, and ATLAS SOUND brand products except as follows: one year on electronics and control systems; one year on replacement parts; and one year on Musician Series stands and related accessories. Additionally, fuses and lamps carry no warranty. Atlas Sound will solely at its discretion, replace at no charge or repair free of charge defective parts or products when the product has been applied and used in accordance with our published operation and installation instructions. We will not be responsible for defects caused by improper storage, misuse (including failure to provide reasonable and necessary maintenance), accident, abnormal atmospheres, water immersion, lightning discharge, or malfunctions when products have been modified or operated in excess of rated power, altered, serviced or installed in other than a workman like manner. The original sales invoice should be retained as evidence of purchase under the terms of this warranty. All warranty returns must comply with our returns policy set forth below. When products returned to Atlas Sound do not qualify for repair or replacement under our warranty, repairs may be performed at prevailing costs for material and labor unless there is included with the returned product(s) a written request for an estimate of repair costs before any nonwarranty work is performed. In the event of replacement or upon completion of repairs, return shipment will be made with the transportation charges collect.

EXCEPT TO THE EXTENT THAT APPLICABLE LAW PREVENTS THE LIMITATION OF CONSEQUENTIAL DAMAGES FOR PERSONAL INJURY, ATLAS SOUND SHALL NOT BE LIABLE IN TORT OR CONTRACT FOR ANY DIRECT, CONSEQUENTIAL OR INCIDENTAL LOSS OR DAMAGE ARISING OUT OF THE INSTALLATION, USE OR INABILITY TO USE THE PRODUCTS. THE ABOVE WARRANTY IS IN LIEU OF ALL OTHER WARRANTIES INCLUDING BUT NOT LIMITED TO WARRANTIES OF MERCHANTABILITY AND FITNESS FOR A PARTICULAR PURPOSE.

Atlas Sound does not assume, or does it authorize any other person to assume or extend on its behalf, any other warranty, obligation, or liability. This warranty gives you specific legal rights and you may have other rights which vary from state to state.

SERVICE

Should your PA Series amplifier require service, please contact the Atlas Sound warranty department at 1-877-689-8055, ext. 277 to obtain an RA number.

Atlas Sound Tech Support can be reached at 1-800-876-3333.

Visit our website at www.AtlasSound.com to see other Atlas products



Specifications are subject to change without notice

AtlasSound.com

1601 JACK MCKAY BOULEVARD ENNIS, TEXAS 75119 U.S.A. • TELEPHONE: (800) 876-3333 • FAX: (800) 765-3435

©2007 ATLAS SOUND LP

Printed in China

ATS000384 RevC 04/07