

User Manual

USB

USB OVER CAT5 EXTENDER KIT

How to install, set up and use your new products



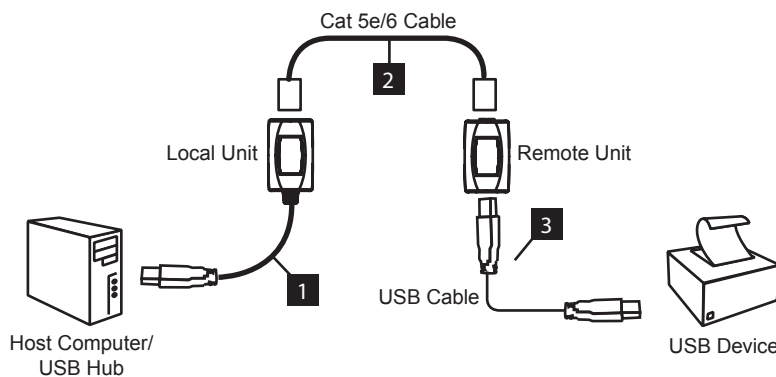
Product Features

- Extends a USB 1.1 signal up to 150 ft. (45 m.) from the source
- No software or drivers required
- No external power required

Package Includes

- Local Unit
- Remote Unit
- Owner's Manual

Installation



- 1** Connect the USB type-A connector on the local unit to the host computer or USB hub. The green RJ45 LED will illuminate to indicate that the local unit is connected to and receiving power from the computer or hub.
- 2** Connect the RJ45 ports on the local and remote units using user-supplied Cat5e/6 cabling. The orange RJ45 LED on the local unit will illuminate to indicate it is connected to the remote unit. Both orange and green RJ45 LEDs on the remote unit will illuminate to indicate it is connected to and receiving power from the local unit.
- 3** Connect the remote unit to the USB device using a user-supplied USB cable.

Safety Information

- To reduce the risk of electric shock, do not expose this product to rain or moisture.
- Operate this product using only the included external power supply. Use of other power supplies could impair performance, damage the product, or cause fire.
- Use only recommended accessories to avoid fire, shock or other hazards.
- Unplug this product before cleaning. Use a damp cloth for cleaning. Do not use cleaning fluids or aerosols, which could enter the unit and cause damage, fire or electrical shock.
- Do not attempt to service this unit. Instead, disconnect it and contact your Authorized Reseller or technician.

Warranty

This product is to be free from defects in material and workmanship for the following limited warranty period:

Manufacturer will repair or replace the product only if the product has not been subjected to mechanical, electrical, or other forms of abuse or modification, and if the product fails and the manufacturer is notified within the first 6 months of purchase.

This warranty supersedes all other warranties expressed or implied, including without limitation, any implied warranty or merchantability or fitness for any particular purpose, all of which are expressly disclaimed.

The information in this manual has been carefully checked and is believed to be accurate; however, the manufacturer assumes no responsibility for any inaccuracies that may be contained in this manual. In no event will the manufacturer be liable for direct, indirect, special, incidental, or consequential damages resulting from any defect or omission in this manual, even if advised of the possibility of such damages. The technical information contained herein regarding USB UTP Extender features and specifications is subject to change without notice.