

ELECTRONIC SAFES FOR HOTEL

Maxi 4870 and Midi 4840

INSTALLATION AND USER MANUAL

(reduced version)



Introduction

Thank you for having chosen this product.

This manual has been expressly devised to help you in installing and using your new electronic safe.

We suggest you to read it carefully and to keep it in secure for any further need.

GENERAL TERMS AND CONDITIONS

TECHNICAL FEATURES

Viro® S.p.A. reserves the right at any time to change the technical features of its products without prior notification. The individual weights and dimensions of our products are approximate.

RISKS DURING TRANSPORT

Transport of the products is always at the risk of the customer.

CLAIMS

Any claims regarding the products must be made within 8 days from receipt of the goods. Unauthorised returns will not be accepted.

GUARANTEE

Viro® guarantees the perfect working of its products. This guarantee covers the free replacement of defective items only and is not valid for any refund or expenses of whatever nature. Timely payment of invoices must be made notwithstanding any claim, will not in any case exempt buyer from paying the invoice at the due date. Guarantee will not be valid any more if the original spare-parts, components or accessories have not been used (i.e.: keys).

SUMMARY

| | | |
|----------|---|-----------|
| 1 | TECHNICAL FEATURES..... | 2 |
| 2 | INSTALLATION..... | 4 |
| 2.1 | Installation inside a piece of furniture (suggested)..... | 4 |
| 3 | FIRST USE OF THE SAFE..... | 5 |
| 3.1 | Insert / Replace batteries..... | 5 |
| 3.2 | Keypad and colored LEDs | 6 |
| 4 | FUNCTIONS FOR THE HOTEL-OWNER..... | 7 |
| 4.1 | The Master Codes..... | 7 |
| 4.2 | How to insert the PRINCIPAL Master Code | 7 |
| 4.3 | SECONDARY Master Codes | 7 |
| 4.4 | How to insert a SECONDARY Master Code | 8 |
| 4.5 | Opening with a Master Code | 8 |
| 5 | FUNCTIONS FOR THE GUEST..... | 9 |
| 5.1 | Instruction for the Guest..... | 9 |
| 5.2 | How to insert the Guest Code | 9 |
| 5.3 | How to open the safe | 9 |
| 5.4 | How to close the safe | 9 |
| 5.5 | Electronic anti-theft block | 9 |
| 6 | EMERGENCY MECHANICAL KEY..... | 10 |
| 6.1 | How to open with the emergency mechanical key | 10 |
| 6.2 | Emergency key duplication..... | 10 |

1 TECHNICAL FEATURES

Dimensions

| | Midi 4840 | Maxi 4870 |
|-------------------------------------|------------------|------------------|
| External dimensions (H x W x D) mm: | 170 x 390 x 285 | 200 x 410 x 400 |
| Internal dimensions (h x w x d) mm: | 163 x 386 x 235 | 193 x 406 x 350 |
| Door opening (h1 x l1) mm: | 120 x 316 | 150 x 333 |
| Internal volume (lt): | 14.8 | 27.4 |
| Unit weight (kg): | 11 | 15 |

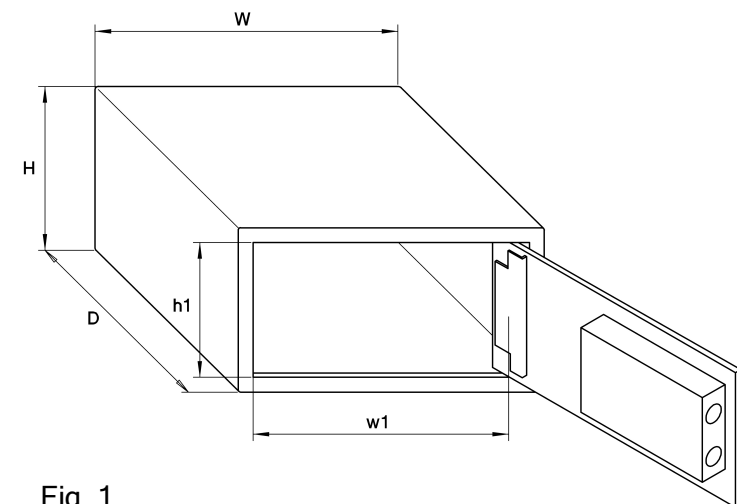


Fig. 1

Materials and thicknesses

- Steel body, thickness mm 2.
- Steel made frame and door, thickness mm 6.
- Nickel plated steel deadbolts, diameter mm 15.
- Hinge pins, diameter mm 8.
- All steel door back cover and internal mechanism.
- No internal plastic parts.

Mechanics

- Motorized lock with two cylindrical horizontal fix deadbolts.
- Controlled opening.
- Emergency mechanical opening with special profile disc safety cylinder allowing to open the safe in any case of anomalous block.
- Easy accessible battery holder.
- Replaceable door and door back cover.

Electronics

- 12 Key keypad with Braille reference and sound confirmation (the non-sighted are able to recognize the exact layout of the keys) and with 4 colored LEDs: 2 green (**OK** and **NEW CODE**) and 2 red (**ERROR** and **BATTERY**).
- Guest Code of 3 up to 8 digits (up to 100 millions of possible combinations).
- 3 Master Codes of 3 up to 8 digits.
- Needs Guest Code for closing.
- Resident codes in NON-VOLATILE memory: codes remain in memory even if batteries are failed.
- Electronic anti-theft block of 15 minutes after 6 consecutive wrong attempts.
- Low consumption electronic board protected from any break-in attempts performed with electrical shocks.
- Audio-visual warning of low batteries.

Power supply

- 4 x 1,5V AA LR6 alkaline batteries (already included). Thanks to the electronic board high engineering level it is possible to make more than 10,000 operations with 1 set of 4 alkaline batteries. Special long life batteries can be used, thus increasing even more the autonomy of the safe.
- Optional power supply from the electrical mains.

Environmental conditions

- Working temperature 0 / +45 °C
- Relative humidity (with no dew) 0 / 90 %RH

Optional

- Activating kit for renting option.
- 220 Volts converter for power supply option.
- Recharging kit for laptops and mobile phones.

2 INSTALLATION

The safe must be installed by qualified personnel only. In order to make your safe work properly, please follow carefully the following instructions.

2.1 Installation inside a piece of furniture (suggested)

For the installation it is necessary:

- on the wall of the piece of furniture where the safe will be mounted, make 2 holes of 10 mm diameter corresponding to the holes on the base or on the back of the safe;
- fix the safe using M8 screws (suggested) of adequate length to the thickness of the piece of furniture and of the fixing bracket cod. 4565.0469.

Note. We suggest to insert **3 – 4 mm thickness washers between the safe and the fixing surface in order to reduce the deformation of the safe.**

After having fixed the safe, make sure the levelness tolerance is $\pm 5^\circ$ maximum in order to avoid malfunctioning of the safe. It also necessary to verify that the door controlled opening and the closing work properly.

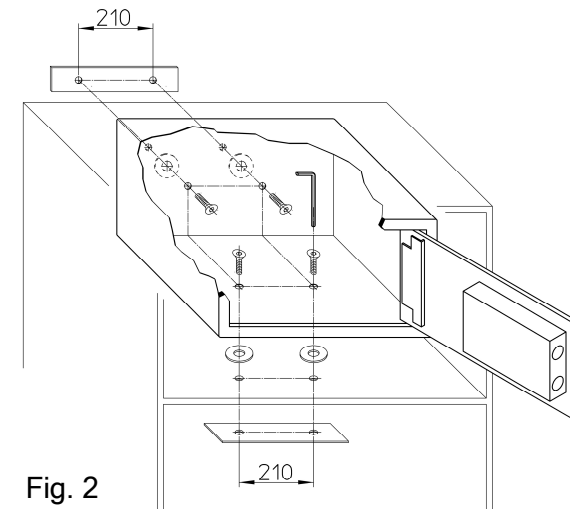


Fig. 2

3 FIRST USE OF THE SAFE

3.1 Insert / Replace batteries

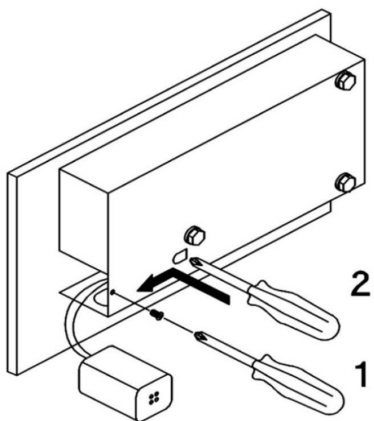


Fig. 3

WARNING !!

DO NOT SCATTER FLAT BATTERIES IN THE ENVIRONMENT !
DEPOSIT THEM IN CONTAINERS PROVIDED FOR THE PURPOSE.

Use only AA LR6 1.5V alkaline batteries. The 4 batteries of the safe should be replaced at once. We also suggest to check battery charge level before each seasonal closing (that is to say for longer periods than three months).

When the batteries are almost flat, after any press of the key ENTER the red LED BATTERY will blink (see Fig. 4 page 6): replace then batteries.

After the first flat battery signal, it would still be possible to make more than 200 operations before the electronics stops working. Exceeded such limit, and for a certain period only, the safe will permit a unique last opening after which the door will remain open. When battery charge level becomes too low to activate the internal mechanism, the safe could be opened with the mechanical emergency key only.

3.2 Keypad and colored LEDs

On the keypad appear standard digits (from 0 to 9) and 2 special keys: **COMB** and **ENTER**.

The **COMB** key is used to cancel the last inserted digit or to change the codes of the safe while the **ENTER** key is used to confirm the just inserted combination.

The colored LEDs are four: two green (**OK** and **NEW CODE**) and two red (**ERROR** and **BATTERY**).

The **OK** LED lights up:

- after pressing a key to confirm the inserted digit;
- when a new code is inserted to confirm the code itself.

The **NEW CODE** LED lights up:

- when a new code is being inserted.

The **BATTERY** LED lights up:

- when the batteries are almost flat and it is necessary to replace them.

The **ERROR** LED lights up:

- in case of a generic error; for instance, when a wrong code is inserted to open the door or in case a new inserted Guest Code is not valid (because, for example, the code is less than 3 digits).

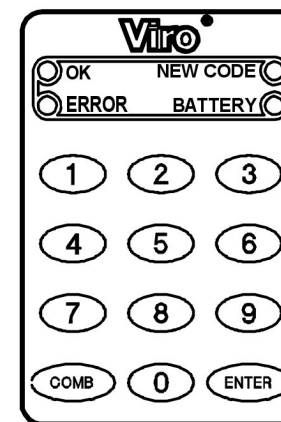


Fig. 4

4 FUNCTIONS FOR THE HOTEL-OWNER

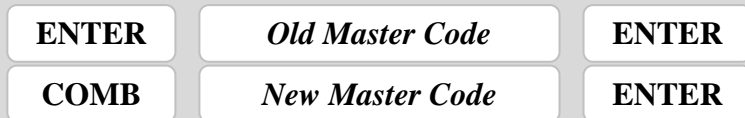
4.1 The Master Codes

Maxi 4870 and Midi 4840 electronic safes have 3 Master Codes (also known as directional codes or passe-partout codes): one is the **PRINCIPAL** and the remaining two are the **SECONDARY**. The Master Codes allow to open the safe and can be used in some particular events, for instance when a guest forgets its Guest Code or when the guest leaves the safe closed at the end of his stay.

Note. The hotel-owner has to insert his **PRINCIPAL Master Code** when installing the safe or anyhow before the guest uses the safe.

4.2 How to insert the PRINCIPAL Master Code (min. 3 - max. 8 digits)

How to insert the PRINCIPAL Master Code



The default PRINCIPAL Master code is: **002**.

4.3 SECONDARY Master Codes

Each time a new PRINCIPAL Master Code is stored, the two SECONDARY Master Codes change this way:

- the 1st SECONDARY Master Code is composed of PRINCIPAL Master Code digits with the addition of the digit '2' at the end (thus the default code is 0022);
- the 2nd SECONDARY Master Code is composed PRINCIPAL Master Code digits with the addition of the digit '3' at the end (thus the default code is 0023).

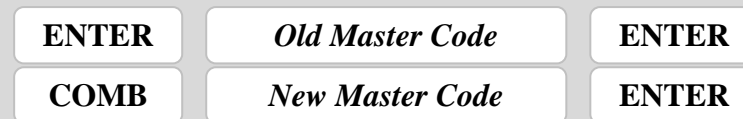
Example: the PRINCIPAL Master Code is set to 045, then the 1st SECONDARY Master Code becomes 0452 and the 2nd one becomes 0453.

The SECONDARY Master Codes can be changed one by one, therefore getting a different value from the one generated by the a.m. rule (example: if the PRINCIPAL Master Code is 045, the 1st SECONDARY Master Code could be changed to 12389).

However it is useful to remember that changing the PRINCIPAL Master Code will modify the SECONDARY Master Codes as explained above.

4.4 How to insert a SECONDARY Master Code (min. 3 - max. 8 digits)

How to insert the SECONDARY Master Code



4.5 Opening with a Master Code (PRINCIPAL or SECONDARY)

Opening with a Master Code



Note. After the opening with a Master Code, the Guest Code is automatically restored to the 007 default value and the green **OK LED lights up each time a key is pressed. This way the safe opening without the use of the Guest Code is underlined.**

5 FUNCTIONS FOR THE GUEST

5.1 Instruction for the Guest

The instructions for the guest are printed on the oval sticker on the door (in italian and english) and on plastified instruction sheet inside the safe (in different languages). We suggest to leave the instruction sheet near the safe.

5.2 How to insert the Guest Code (min. 3 - max. 8 digits)

How to insert a Guest Code

COMB

New Guest Code

ENTER

5.3 How to open the safe

Opening

Guest Code

ENTER

5.4 How to close the safe

Closing

Guest Code

ENTER

Keep the door close until
the **OK** LED lights off.

5.5 Electronic anti-theft block

Maxi 4870 and Midi 4840 safes are equipped with an electronic anti-theft block of 15 minutes after 6 consecutive wrong codes are entered: during the block the green **OK** LED will blink and it will be possible to open the door with the mechanical emergency key only.

6 EMERGENCY MECHANICAL KEY

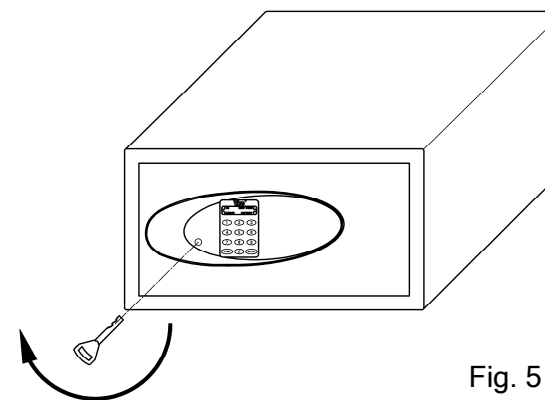


Fig. 5

6.1 How to open with the emergency mechanical key

Note. After the opening with the mechanical emergency key, the Guest Code is automatically changed to the 007 default value and, moreover, the green **OK** LED will lights up each time a key is pressed. This way the safe opening without the use of the Guest Code is underlined.

6.2 Emergency key duplication (only for Hotel versions with KA key)

Special profile keys duplication can be done at Viro S.p.A. factory upon special request proving the right title to receive the copy of the key.

ELECTRONIC SAFES
FOR HOTEL
Maxi 4870 and Midi 4840
Installation and User Manual
(reduced version)
cod. **2.0.4840.493.01.410**
rev. D - 11/12/2008