

User Manual

Model 9A60A

VGA to Component Video Converter



Made in the USA

Audio Authority®

Table Of Contents

1.0	Introduction	3
2.0	Installation	4
3.0	Troubleshooting	5
4.0	Specifications	5
5.0	Limited Warranty	6
6.0	Regulatory Compliance	7
7.0	Contact Information	7

WARNINGS

- Read these instructions before installing or using this product.
- To reduce the risk of fire or electric shock, do not expose this unit to rain or moisture.
- This product must be installed by qualified personnel.
- Do not open the cover—there are no user-serviceable parts inside.
- Do not expose this unit to excessive heat.
- Install only in dry, indoor locations.
- Clean the unit only with a dry or slightly dampened soft cloth.

LIABILITY STATEMENT

Every effort has been made to ensure that this product is free of defects. Audio Authority cannot be held liable for the use of this hardware or any direct or indirect consequential damages arising from its use. It is the responsibility of the user of the hardware to check that it is suitable for his/her requirements and that it is installed correctly. All rights are reserved. No parts of this manual may be reproduced or transmitted by any form or means electronic or mechanical, including photocopying, recording or by any information storage or retrieval system without the written consent of the publisher.

Audio Authority reserves the right to revise any of its hardware and software following its policy to modify and/or improve its products where necessary or desirable.

Audio Authority and the Double-A Symbol are registered trademarks of Audio Authority Corp. Copyright June, 2007. All third party trademarks and copyrights are recognized.

1.0 INTRODUCTION

Thank you for purchasing this video converter from Audio Authority. The Model 9A60A is a transcoder that adapts a VGA-type RGBHV video signal to a YPbPr Component Video signal for use with High Definition Television (HDTV) monitors. **Transcoding** is defined as a direct conversion from one signal type to another. When compatible sources and monitors are configured correctly, the 9A60A permits HDTV images generated by a set top box or personal computer to be displayed on an HDTV capable television or monitor.

The 9A60A is not a format converter, and does not include a scaler or video processing chip. It passes the horizontal and vertical synchronization timings and pixel content from the input source to its outputs without modification. For example, a desired 1080i YPbPr image on your television will require a 1080i RGBHV signal from your source. Generally, the acceptable NTSC/ATSC broadcast resolutions within the United States are 640x480 60Hz, 1280x720 60Hz and 1920x1080 60Hz. The underlined numbers are those most often used by manufacturers to indicate the acceptable input resolutions for a particular video display. Some combinations of sources and televisions may produce undesired display artifacts or fail to work at all.

1.2 FEATURES

- High bandwidth circuitry
- Accepts RGB signals including computer VGA and RGBHV
- Output sync is Bi-level sync
- Converts video format, but does not alter resolution or refresh rate

1.3 CHECKING PACKAGE CONTENTS

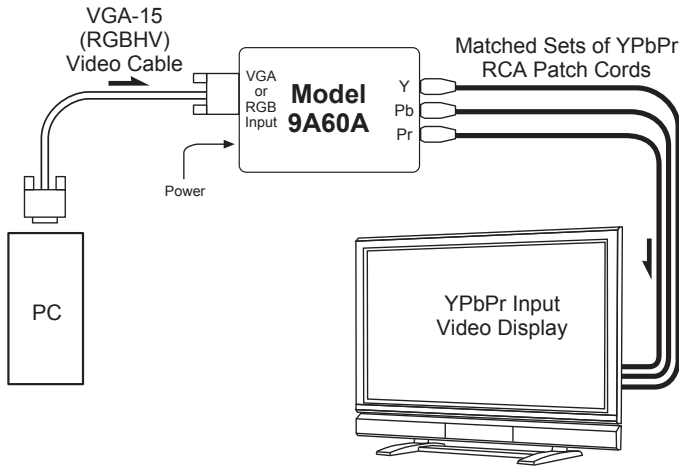
Before attempting to use the 9A60A, please check the packaging and make certain the following items are contained in the shipping carton:

- 9A60A video converter
- 12V DC power adapter
- User manual

Note: Please retain the original packing material in case you need to return the unit. If you find any items are missing, contact Audio Authority immediately. Have the model number and invoice available for reference when you call.

2.0 INSTALLATION

- Connect the 9A60A to the video source using the supplied VGA cable and apply power using the included 12 volt power pack.
- Connect the output of the 9A60A to the YPbPr component video input jacks on the television or monitor.
- Set up your source equipment to output an appropriate television broadcast resolution for your region. Common US resolutions are shown below.



SDTV (Standard Definition)	640x480 @ 60Hz	interlaced
480p (DVD Resolution)	640x480 @ 60Hz	progressive scan
720p (High Definition)	1280x720 @ 60Hz	progressive scan
1080i (High Definition)	1920x1080i @ 60Hz	interlaced
1080p (High Definition)	1920x1080p @ 60Hz	progressive scan

Be aware that most high definition televisions accepting progressive (non-interlaced) video generally have a maximum vertical refresh rate of 60Hz; avoid sending higher rates from your PC.

Third party software is available for download if your video driver does not support the required resolutions. Some sources do not provide for altering the output resolution; in these cases you should consider purchasing one of the video scaling products (such as Model 1366) available from Audio Authority.

Caution: Do not operate the monitor with an unstable picture; damage to the display equipment may result.

Software Downloads:

PowerStrip (for Windows)
www.entechtaiwan.com

DisplayConfigX (for Mac)
www.3dexpress.de

Note: Audio Authority is not affiliated with the software or companies mentioned above.

3.0 TROUBLESHOOTING

Symptom Causes and Solutions

No image displayed	Ensure power is applied to all equipment.
	Ensure all cables are securely connected.
	Ensure source output resolution is a compatible television broadcast resolution for your region.
I have an image on my computer monitor, but not my television	Ensure output is enabled to multiple monitors.
	Ensure source output resolution is a compatible television broadcast resolution for your region.
My video card does not allow appropriate resolutions for my region	A third party program such as PowerStrip for Microsoft operating systems or DisplayConfigX for Apple operating systems.
	Consider upgrading your current video card.

If you encounter difficulty, contact the Audio Authority Technical Service department via email: support@audioauthority.com, or call 800-322-8346 or 859-233-4599.

4.0 SPECIFICATIONS

Video Input	Standard RGBHV
Connector	HD-15 VGA connector
RGB Video Inputs	700mV p-p
HV Sync Inputs	5 volt TTL
Video Output	YPbPr component video
Connector	Three gold-plated RCA jacks
Y Video Output	.701G + .212R + .087B
Pb Output	.500B - .384G - .116R
Pr Output	.500R - .445G - .055B
Y Sync Output	300mV negative bilevel, 600nS horizontal unprocessed vertical
Video Bandwidth	-3dB @ 250MHz
Dimensions	4.55" X 3.30" X 1.25" not including mounting flanges
Included Accessories	6-foot VGA male-to-male cable 12 volt DC power pack User Manual

5.0 LIMITED WARRANTY

Should any consumer product from Audio Authority fail due to defects in materials or workmanship within one year from the date of the original sale to the end-user, Audio Authority guarantees that we will replace the defective product at no cost. Freight charges for the replacement unit will be paid by Audio Authority (ground service only). A copy of the invoice showing the item number and date of purchase (proof-of-purchase) must be submitted with the defective unit to constitute a valid in-warranty claim.

Units that fail after the warranty period has expired may be returned to the factory for repair at a nominal charge, if not damaged beyond the point of repair. All freight charges for out-of-warranty returns for repair are the responsibility of the customer. Units returned for repair must have a Return Authorization Number assigned by the factory.

This is a limited warranty and is not applicable for products which, in our opinion, have been damaged, altered, abused, misused, or improperly installed. Audio Authority makes no other warranties either expressed or implied, including limitation warranties as to merchantability or fitness for a particular purpose. Additionally, there are no allowances or credits available for service work or installation performed in the field by the end user.

5.1 WARRANTY SERVICE PROCEDURES

If you suspect a product defect, contact Audio Authority's Technical Service Department at 800-322-8346 or 859-233-4599 for assistance in verifying the problem. If a defect or potential defect is suspected, a replacement unit will be shipped immediately on a defect-exchange basis and a Return Authorization Number will be issued for the return of the defective product. Replacement units are sent out at the Manufacturer's Suggested Retail Price which is debited to the Customer's Credit Card at the time of shipment. Once we receive the defective unit back at the factory, it will be evaluated under the conditions of this warranty and if found to be in-warranty, a full credit will be issued to the Customer's Credit Card. Return freight charges for the defective unit are the customer's responsibility. Please contact our Technical Service Department for complete details concerning all in and out of warranty service matters.

We appreciate your confidence in our products and services and will always strive to meet or exceed your needs.

6.0 REGULATORY COMPLIANCE

The 9A60A power supply included has been tested for compliance with UL, CE, and CSA rules and regulations and is RoHS compliant.

7.0 CONTACT INFORMATION

If you have questions or require assistance with this product in areas not covered by this manual, please contact Audio Authority using the information below.

Audio Authority Technical Service
800-322-8346 M-F 8:30 AM to 5:00 PM, EST
International: 859-233-4599 Fax: 859-233-4510
Send email to: support@audioauthority.com

Audio Authority Corporation
2048 Mercer Road
Lexington, Kentucky 40511-1071
USA

Audio  Authority[®]

2048 Mercer Road, Lexington, Kentucky 40511-1071 USA

Phone: 859-233-4599 • Fax: 859-233-4562

Customer Toll-Free USA & Canada: 800-322-8346

www.audioauthority.com

Made in the USA