

HA2401RTGE Series Amplifier User Manual

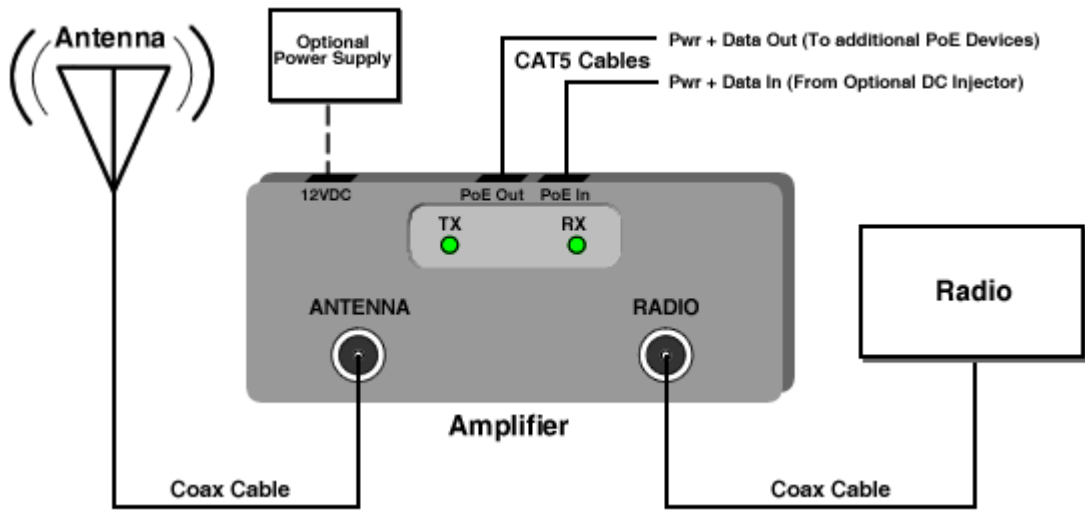


FCC PART 15 NOTICE: THIS AMPLIFIER CAN ONLY BE USED IN A SYSTEM WHICH IT HAS OBTAINED AUTHORIZATION. THE AUTHORIZED SYSTEM BY THE FCC IDENTIFIER IS: MYF-LCUSB

This manual covers the basic mounting and installation instruction for the amplifier unit only. Please refer to the HAKIT-GE series kits user manual or the wireless USB adapter manual for adapter and software installation instruction as well as complete list of certified system components.

Connecting the Amplifier

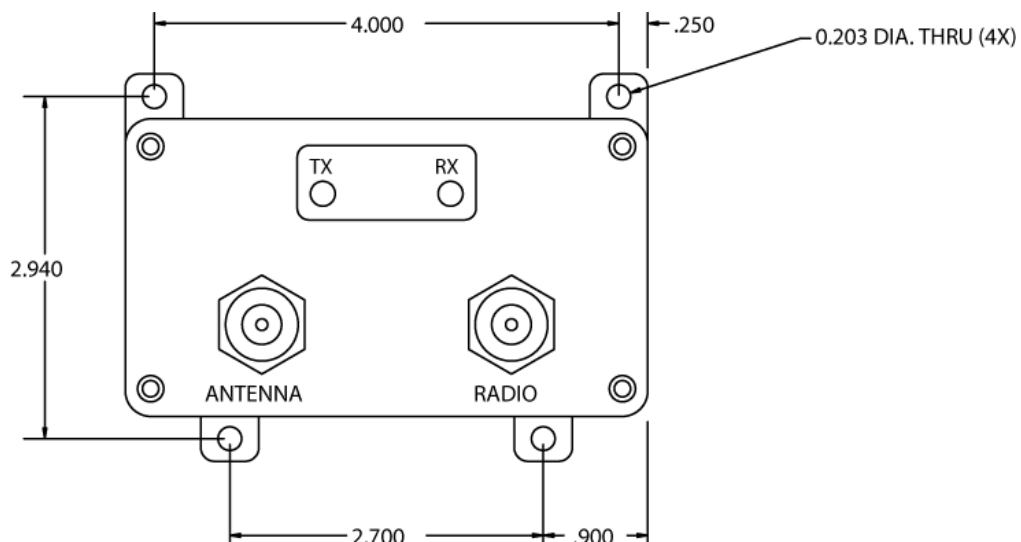
Amplifier connections are clearly labeled on the amplifier unit as shown below.



1. Connect the Antenna to the Amplifier output labeled "**ANTENNA**"
2. Connect the Radio to the Amplifier input labeled "**RADIO**" using a pigtail cable.
3. To power the amplifier via the PoE interface, connect CAT5 Ethernet cables to the RJ45 jacks as shown. To power the amplifier using an optional AC Adapter, plug the AC Adapter into the Amplifier's DC power jack and wall outlet. Note: Do not use the PoE Interface and AC Adapter at the same time. This will damage the amplifier.

Mounting the Amplifier

The HA2401RTGE series amplifiers are designed to be installed indoors or in weather-resistant enclosures. Integral mounting tabs allow the amplifier to be secured.



Operation of Amplifier LEDs

All L-com amplifiers have two LEDs visible on the enclosure.

The LED marked **TX** indicates that the amplifier is transmitting a signal. This LED will flash during such operation.

The LED marked **RX** indicates that the amplifier is receiving a signal. This LED will flash during such operation.

When the amplifier is transmitting and receiving signals at the same time, both LEDs will flash.

*Note: Some amplifier models have a **red** TX LED for extra visibility. A flashing red LED **does not** indicate a fault.

TX = Transmit LED*

RX = Receive LED

