



RESIDENTIAL GAS REPLACEMENT PARTS LIST

Combi2™ Gas Water Heater

“CDW2” Series

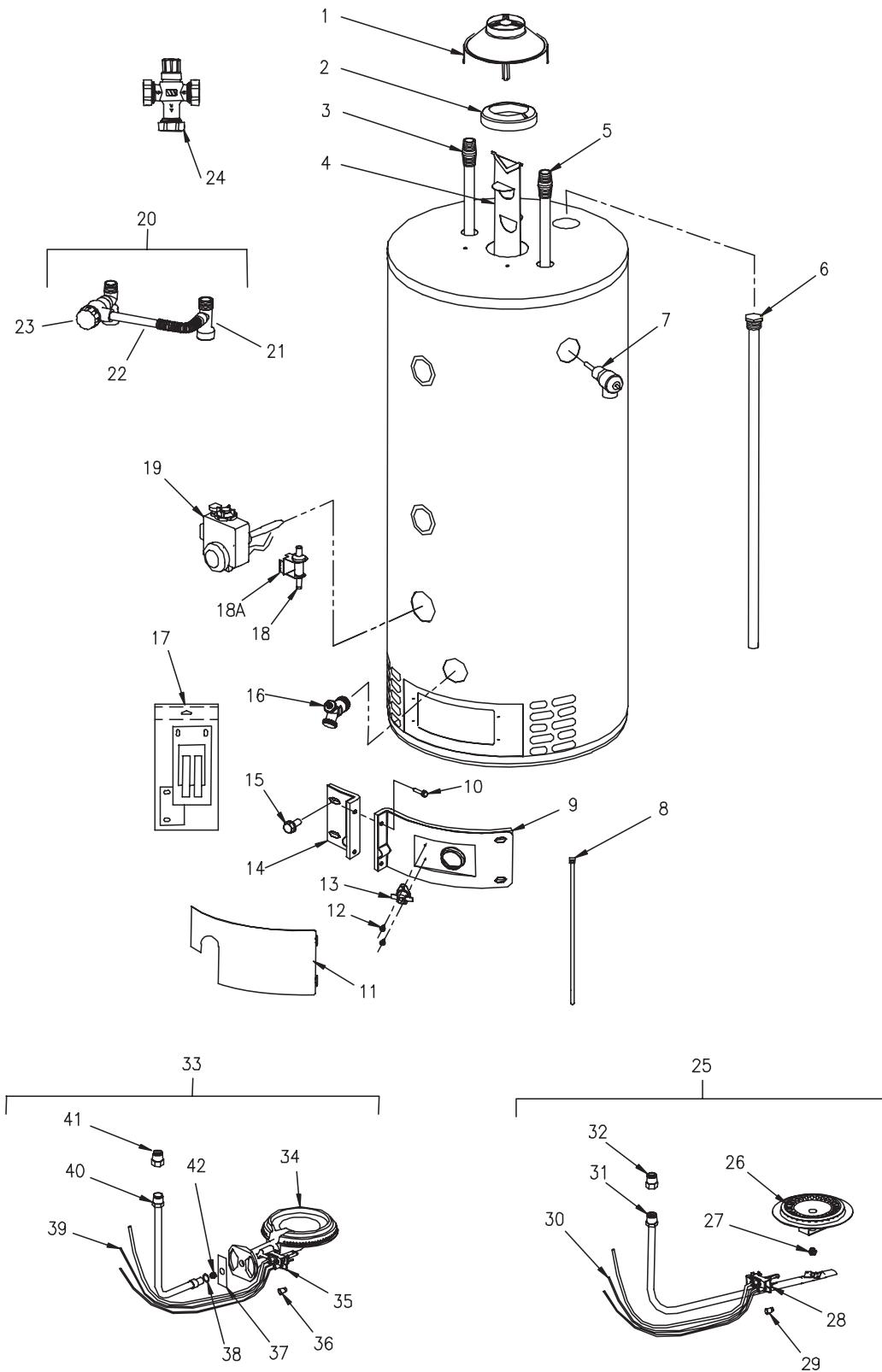


DEFENDER
SAFETY SYSTEM[®]

*Effective: September 2006
ECO 6885*

**NOTE: BOTH MODEL AND
SERIAL NUMBERS ARE
REQUIRED FOR ORDERING
REPLACEMENTS PARTS.**

Specification subject to
change without notice.

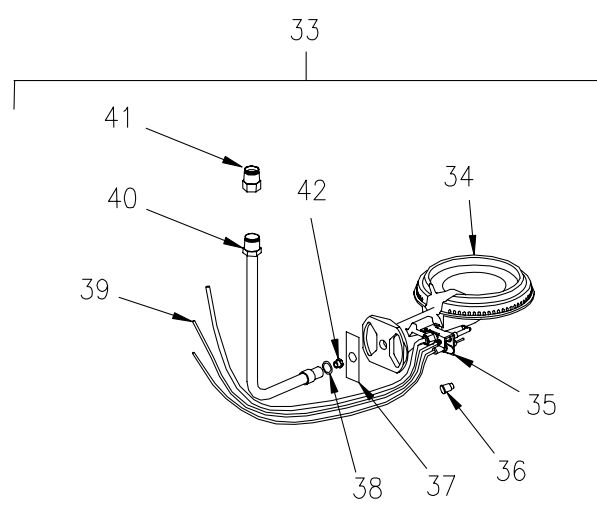
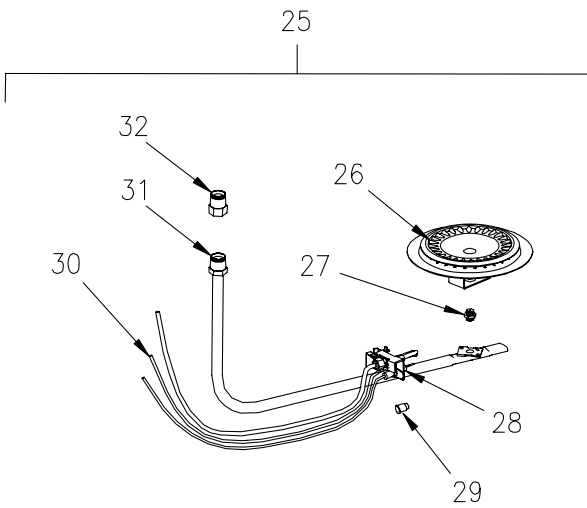


CDW2504T Series

Item	Description	Model CDW2504T10F(BN,CX)
1	Draft Hood	243-33081-02-20
2	Flue Reducer	243-36920-00
3	Hot Water Outlet Anode Aluminum	224-32999-30
4	Flue Baffle	243-41037-00
5	Cold Water Inlet Dip Tube Polysulfone	229-39628-19
6	Plug Type Anode Aluminum	224-38508-03
7	T&P Relief Valve	230-40594-02
8	Wire Tie	239-44328-00
9	Right Side Inner Door Complete	243-43963-07
10	Screw-#8-18 x 3/4 HWH	239-44195-00
11	Outer Door	243-43962-00
12	Screw-#6-20 x 3/8 PHCR	239-43967-00
13	Resettable Thermal Switch	239-43676-02
14	Left Side Inner Door Complete	239-43968-18
15	Screw-#10-12 x 3/4 HWH	239-44113-00
16	Brass Drain Valve	265-42351-02
17	Inner Door Gasket Kit	239-44078-00
18	Piezo Igniter	239-43448-00
18A	Piezo Bracket White Rodgers	239-46157-02
	Piezo Bracket Robertshaw	239-46157-01
19	Nat. Gas Thermostat	265-46367-02
	LP Gas Thermostat	265-46368-03
20	Kit integrated Mixing Device	239-46225-01
21	Inlet Tee	239-45632-00
22	Flexible Connector	239-46347-02
23	Outlet Mixing Device	239-45631-00
24	ASSE Approved Mixing Valve (Optional)	239-43740-01

*Inner door gasket kit recommended

**Ordering a complete burner assembly may increase delivery time. Please order the specific component required for the quickest delivery.

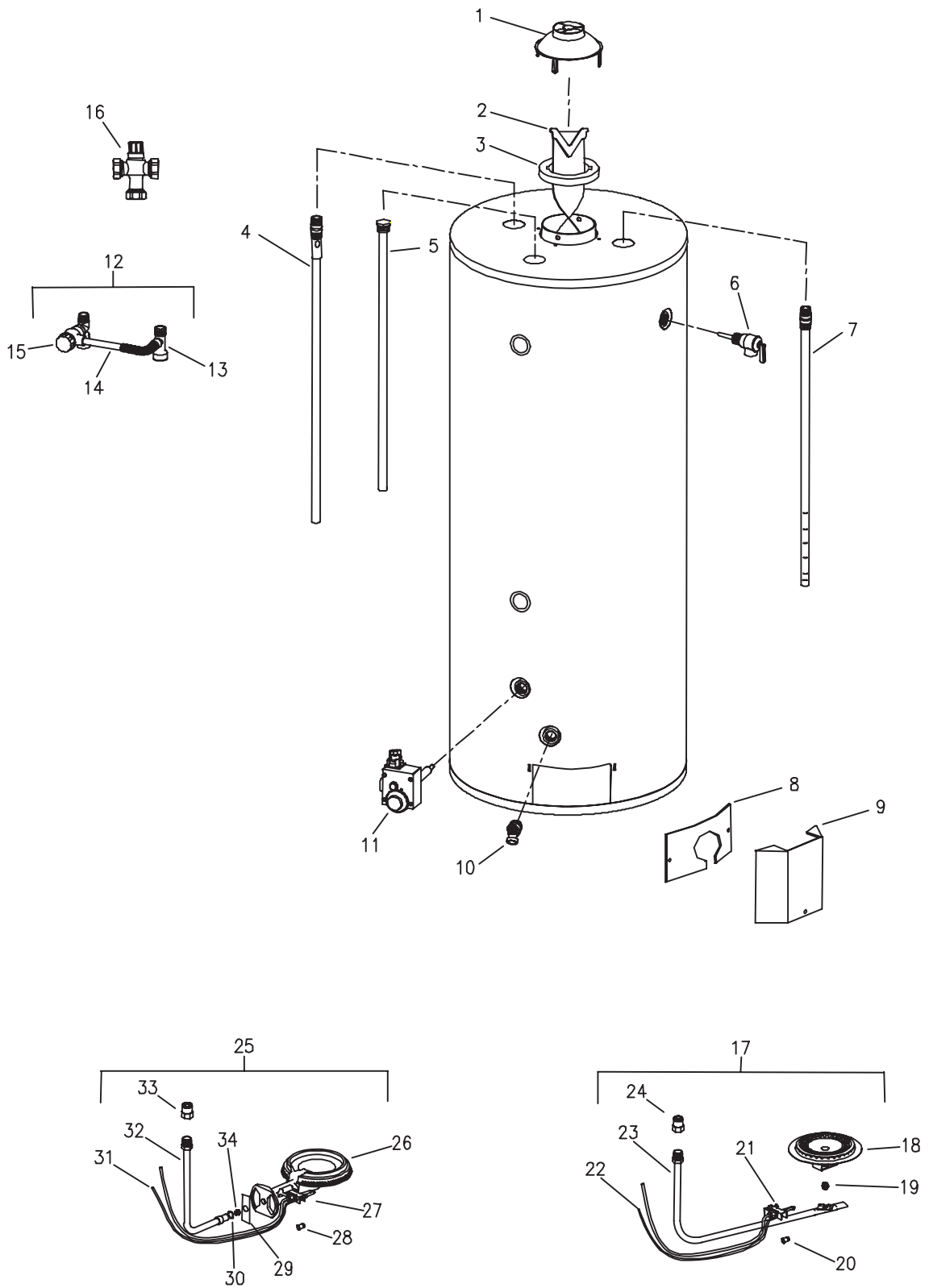


CDW2504T Series

Item	Description	Model CDW2504T10F(BN,CX)
25	Nat Gas Burner Assembly Complete**	265-43971-04-27
26	Nat. Gas BN Burner**	228-42506-00
27	Nat. Gas Main Burner Orifice*	234-41034-27
	Nat. Gas High Altitude 2000 Ft. to 5000 Ft.*	234-41034-29
	Nat. Gas High Altitude 5000 Ft. to 8000 Ft.*	234-41034-30
	Nat. Gas High Altitude Over 8000 Ft.*	234-41034-31
28	Nat. Gas Pilot Assembly*	233-46277-03
29	Nat. Gas Pilot Orifice*	234-46502-05
30	Thermocouple*	233-46501-14
31	Nat. Gas FeedLine*	265-43960-04
32	Nat. Gas FeedLine Adaptor	239-60100-00
33	LP Gas Burner Assembly Complete**	265-43972-04-43
34	LP Gas Cast Iron Burner*	228-37743-00
35	LP Gas Pilot Assembly*	233-46278-03
36	LP Gas Pilot Orifice*	234-46502-02
37	Air Shutter*	239-35466-00
38	Air Shutter Nut*	239-18197-00
39	Thermocouple*	233-46501-17
40	LP Gas Feed Line*	265-43961-03
41	LP Gas Feed Line Adaptor	239-60099-00
42	LP Gas Main Burner Orifice*	234-35928-43
	LP Gas High Altitude 2000 Ft. to 5000 Ft.*	234-35928-46
	LP Gas High Altitude 5000 Ft. to 8000 Ft.*	234-35928-47
	LP Gas High Altitude Over 8000 Ft.*	234-35928-47
-	LP to Natural Gas Conversion Kit (Norm Alt.)	265-45712-25
-	LP to Natural Gas Conversion Kit (High Alt.)	265-45712-26

*Inner door gasket kit recommended

**Ordering a complete burner assembly may increase delivery time. Please order the specific component required for the quickest delivery.

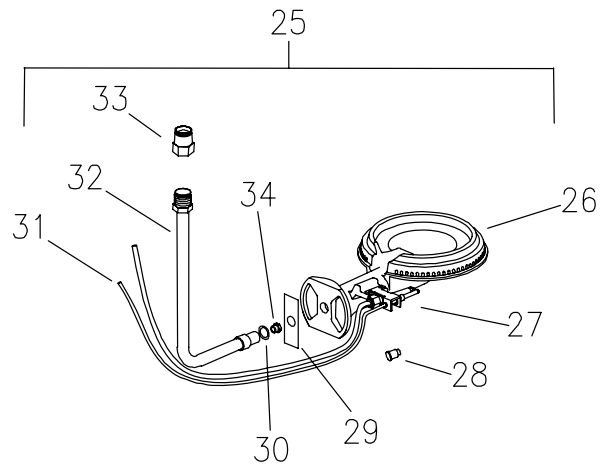
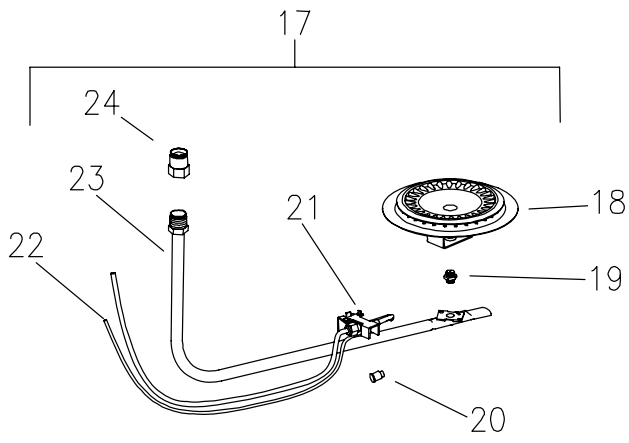


CDW275T Series

Item	Description	Model CDW275T10(BN,CX)
1	Draft Hood	239-12950-00
2	Flue Baffle	243-39975-00
3	Flue Reducer	243-36920-00
4	Hot Water Outlet Anode Aluminum	224-32999-21
5	Plug Type Anode Aluminum	224-38508-03
6	T&P Valve	230-40594-02
7	Cold Water Inlet Dip Tube	229-39628-15
8	Inner Door	243-39207-00
9	Outer Door	243-37177-00
10	Brass Drain Valve	227-42351-02
11	Nat Gas Thermostat	265-46365-02
	LP Gas Thermostat	265-46366-02
12	Kit integrated Mixing Device	239-46225-01
13	Inlet Tee	239-45632-00
14	Flexible Connector	239-46347-02
15	Outlet Mixing Device	239-45631-00
16	ASSE Approved Mixing Valve (Optional)	239-43740-01

*Inner door gasket kit recommended

**Ordering a complete burner assembly may increase delivery time. Please order the specific component required for the quickest delivery.



CDW275T Series

Item	Description	Model CDW275T10(BN,CX)
17	Nat Gas Burner Assembly Complete**	265-43979-03-21
18	Nat. Gas BN Burner**	228-42506-00
19	Nat. Gas Main Burner Orifice	234-41034-21
	Nat. Gas High Altitude 2000 Ft. to 5000 Ft.	234-41034-24
	Nat. Gas High Altitude 5000 Ft. to 8000 Ft.	234-41034-29
	Nat. Gas High Altitude Over 8000 Ft.	234-41034-31
20	Nat. Gas Pilot Orifice	234-46502-05
21	Nat. Gas Pilot Assembly	233-40248-05
22	Thermocouple	233-46501-24
23	Nat. Gas FeedLine	233-42567-03
24	Nat. Gas FeedLine Adaptor	239-60100-00
25	LP Gas Burner Assembly Complete**	265-41876-24-38
26	LP Gas Cast Iron Burner	228-14173-00
27	LP Gas Pilot Assembly	233-40261-03
28	LP Gas Pilot Orifice	234-46502-02
29	Air Shutter	239-35466-00
30	Air Shutter Nut	239-18197-00
31	Thermocouple	233-46501-24
32	LP Gas Feed Line	233-41818-07
33	LP Gas Feed Line Adaptor	239-60099-00
34	LP Gas Main Burner Orifice	234-35928-38
	LP Gas High Altitude 2000 Ft. to 5000 Ft.	234-35928-42
	LP Gas High Altitude 5000 Ft. to 8000 Ft.	234-35928-43
	LP Gas High Altitude Over 8000 Ft.	234-35928-43
-	LP to Natural Gas Conversion Kit (Norm Alt.)	265-45754-07
-	LP to Natural Gas Conversion Kit (High Alt.)	265-45754-08

*Inner door gasket kit recommended

**Ordering a complete burner assembly may increase delivery time. Please order the specific component required for the quickest delivery.



BRADFORD WHITE®

C O R P O R A T I O N

Ambler, PA

For U.S. and Canada field service,
contact your professional installer or
local Bradford White sales representative.

Sales/800-523-2931

Fax/215-641-1670

Application & Sizing/800-523-2931

Fax/215-641-1612

Technical Support/800-334-3393

Fax/269-795-1089

Warranty/800-531-2111

Fax/269-795-1089

International:

Telephone/215-641-9400

Telefax/215-641-9750



BRADFORD WHITE-CANADA® INC.

Mississauga, ON

Sales/Technical Support

866-690-0961

905-238-0100

Fax/905-238-0105

Email

parts@bradfordwhite.com

techserv@bradfordwhite.com

www.bradfordwhite.com

www.bradfordwhitecanada.com