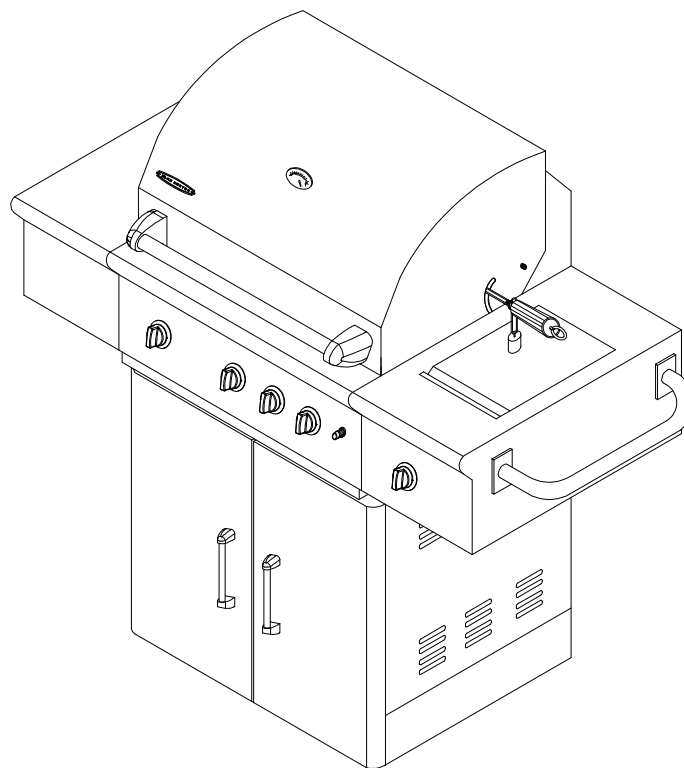




**Stainless Steel Gas Grill  
USE AND CARE GUIDE  
MODEL NO.: 720-0145-LP**



**FOR OUTDOOR USE ONLY**



**PLEASE CONTACT 1-800-913-8999 FOR ASSISTANCE  
DO NOT RETURN TO PLACE OF PURCHASE**

# TABLE OF CONTENTS



## SECTION ONE

Safety Instructions.....1~5  
Placement of the grill.....5

## SECTION TWO

Rotisserie mount installation.....6  
Side shelf Assembly.....7  
Side burner Assembly .....8  
Side shelf handle Assembly.....9  
Rotisserie kit Assembly .....9  
Spice Tray Assembly .....10  
Propane Tank Assembly .....11  
To Match light the Grill.....12

## SECTION THREE

Gas Hook-Up.....13  
Leak Testing.....14  
Installer Final Check.....15

## SECTION FOUR

Operating Instructions.....16  
Lighting Instructions.....17

## SECTION FIVE

Using the side burner..... 18  
Care & Maintenance ..... 18  
Trouble Shooting..... 19  
Check List ..... 20~21

## SECTION SIX

Lighting Illustrations..... 22  
Exploded View..... 23  
Parts List ..... 24  
Grilling Hints..... 25  
Grill Cooking Chart ..... 26~27  
Grill Recipe Suggestion ..... 28~29

## SECTION SEVEN

Limited Warranty ..... 30

**Read this Care and Use Manual carefully and completely before using your grill to reduce the risk of fire, burn hazard or other injury.**

## **SAFETY INSTRUCTIONS**

\*\*\*\*\*  **WARNING** \*\*\*\*\*

### **FOR YOUR SAFETY**

**If you smell gas:**

- 1. Shut off gas to the appliance.**
- 2. Extinguish any open flame.**
- 3. Open Lid.**
- 4. If odor continues, immediately call your gas supplier or your fire department.**

### **FOR YOUR SAFETY**

- 1. Do not store or use gasoline or other flammable vapors and liquids in the vicinity of this or any other appliance.**
- 2. An LP cylinder not connected for use shall not be stored in the vicinity of this or any other appliance.**

# SAFETY INSTRUCTIONS

## RECOGNIZED SAFETY SYMBOLS, WORDS AND LABELS

### WARNING

Do not try lighting this appliance without first reading the "LIGHTING INSTRUCTIONS" section of this manual.

DO NOT USE ALUMINUM FOIL TO LINE THE GRILL RACKS OR GRILL BOTTOM. This can severely upset combustion airflow or trap excessive heat in the control area.

INSECT WARNING!!! Spiders and insects can nest in the burners of this and any other grill, and cause the gas to flow improperly. This is a very dangerous condition, which can cause a fire to occur behind and beneath the valve panel, thereby damaging the grill and making it unsafe to operate. Inspect the grill twice a year.

LP Gas Cylinder must be fitted with Overfill Protection Device (OPD).



### WARNING

- a) **DO NOT** store a spare LP-gas cylinder under or near this appliance.
- b) **NEVER** fill the cylinder beyond 80% full.
- c) If the information in "a" and "b" is not followed exactly, a fire causing death or serious injury may occur.

### WARNING

#### ELECTRICAL GROUNDING INSTRUCTIONS

This appliance (rotisserie motor) is equipped with a plug and should be plugged directly into a properly grounded receptacle. **DO NOT** cut or remove the grounding prong from this plug.

Keep the rotisserie motor electric cord away from the heated surfaces of the grill. When not in use remove and store the motor in a dry location


### CAUTION: REMOVE THE

**WARMING RACK WHEN USING THE ROTISSERIE BURNER. THE HIGH HEAT COMING FROM THE BURNER MAY CAUSE THE WARMING RACK TO BEND.**

**DO NOT LEAVE THE GRILL UNATTENDED WHILE COOKING.**

## SAFETY INSTRUCTIONS

### RECOGNIZED SAFETY SYMBOLS, WORDS AND LABELS

 **WARNING:** Always keep your face and body as far away from the burner as possible when lighting.

 **WARNING: IMPORTANT!**

#### BEFORE LIGHTING...

Inspect the gas supply hose prior to turning the gas "ON". If there is evidence of cuts, wear, or abrasion, it must be replaced prior to use. Do not use the grill if the odor of gas is present. Only the pressure regulator and hose assembly supplied with the unit should be used. Never substitute regulators for those supplied with the grill. If a replacement is necessary, contact the factory for proper replacement.


Screw the regulator onto the tank. Leak check the hose and regulator connections with a soap and water solution before operating the grill.

**Keep a spray bottle of soapy water near the gas supply valve and check the connections before each use.**

**Do not attempt to light the grill if odor of gas is present. Call for service 1-800-913-8999.**

#### **ROTISSERIE DRIVE MOTOR**

USE ONLY FOR OUTDOORS, DO NOT EXPOSE TO RAIN.

 **CAUTION:** TO ENSURE CONTINUED PROTECTION AGAINST RISK OF ELECTRIC SHOCK, CONNECT TO PROPERLY GROUNDED OUTLETS ONLY, TO REDUCE THE RISK OF ELECTRIC SHOCK, KEEP EXTENSION CORD CONNECTION DRY AND OFF THE GROUND.

## SAFETY INSTRUCTIONS

**TESTED IN ACCORDANCE WITH ANSI Z21.58b LATEST STANDARD and CGA 1.6b-2002 STANDARD FOR OUTDOOR COOKING GAS APPLIANCES. THIS GRILL IS FOR OUTDOOR USE ONLY.**

Check your local building codes for the proper method of installation. In the absence of local codes, with either the National Fuel Gas Code, ANSI Z223.1/NFPA 54, or CAN/CGA-B149.1, Natural Gas and propane Installation Code. Electrical Code, ANSI/NFPA 70.

### **CALIFORNIA PROPOSITION 65-WARNING**

The burning of gas fuel generates some byproducts, which are known by the State of California to cause cancer or reproductive harm. To minimize exposure to these substances, always operate this unit according to the use and care manual, ensuring you provide good ventilation when cooking with gas.

### **SAFETY PRACTICES TO AVOID PERSONAL INJURY**

When properly cared for, your grill will give safe, reliable service for many years. However, extreme care must be used since the grill produces intense heat and that can increase accident potential. When using this appliance basic safety practices must be followed, including the following:

Do not repair or replace any part of the grill unless specifically recommended in this manual. All other service should be referred to a qualified technician.

This outdoor cooking gas appliance is not intended to be installed in or on recreational vehicles and/or boats.

CHILDREN SHOULD NOT BE LEFT ALONE OR UNATTENDED IN AN AREA WHERE THE GRILL IS BEING USED. NEVER ALLOW THEM TO SIT, STAND OR PLAY ON OR AROUND THE GRILL AT ANY TIME.

DO NOT STORE ITEMS OF INTEREST TO CHILDREN AROUND OR BELOW THE GRILL OR IN THE CART. NEVER ALLOW CHILDREN TO CRAWL INSIDE OF THE CART.

Never let clothing, pot holders or other flammable materials come in contact with or too close to any grate, burner or hot surface until it has cooled. Fabric may ignite and result in personal injury.

For personal safety, wear proper apparel. Loose fitting garments or sleeves should never be worn while using this appliance. Some synthetic fabrics are highly flammable and should not be worn while cooking.

**Only certain types of glass, heatproof glass ceramic, earthenware, or other glazed utensils are suitable for grill use. These types of materials may break with sudden temperature changes. Use only on low or medium heat settings according to the manufacturer's directions.**

Do not heat unopened food containers as a build-up of pressure may cause the container to burst.

Use a covered hand when opening the grill lid. Never lean over an open grill.

WHEN LIGHTING A BURNER, ALWAYS PAY CLOSE ATTENTION TO WHAT YOU ARE DOING. BE CERTAIN YOU ARE TURNING THE IGNITER LABELED FOR THE BURNER YOU INTEND ON

## SAFETY INSTRUCTIONS

When using the grill, do not touch the grill rack, burner grate or immediate surroundings as these areas become extremely hot and could cause burns. Use only dry potholders. Moist or damp potholders on hot surfaces may cause burns from steam. Do not use a towel or bulky cloth in place of potholders. Do not let potholders touch hot portions of the grill rack.

Grease is flammable. Let hot grease cool before attempting to handle it. Avoid letting excess grease deposits collect in the grease tray at the bottom of the grill's firebox. Clean often.

For proper lighting and performance of the burners keep the burner ports clean. It is necessary to clean them periodically for optimum performance. The burners will only operate in one position and must be mounted correctly for safe operation.

Clean the grill with caution. Avoid steam burns; do not use a wet sponge or cloth to clean the grill while it is hot. Some cleaners produce noxious fumes or can ignite if applied to a hot surface.

Be sure all grill controls are turned off and the grill is cool before using any type of aerosol cleaner on or around the grill. The chemical that produces the spraying action could, in the presence of heat, ignite or cause metal parts to corrode.

Do not use the grill for cooking excessively fatty meats or products, which promote flare-ups. Do not operate the grill

under unprotected combustible construction. Use only in well ventilated areas. Do not use in buildings, garages, sheds, breezeways or other such enclosed areas. *THIS UNIT IS FOR OUTDOOR USE ONLY.*

Keep the area surrounding the grill free from combustible materials, trash, or combustible fluids and vapors such as gasoline or charcoal lighter fluid. Do not obstruct the flow of combustion and ventilation air. If the unit is stored indoors ensure that it is cool. If propane is used, the cylinder must be unhooked and the propane cylinder stored outside in a well-ventilated area, out of the reach of children.

*DO NOT USE BRIQUETTES OF ANY KIND IN THE GRILL.*

The 720-0153-LP Build-in Grill is designed for optimum performance without the use of briquettes. Do not place briquettes on the radiant as this will block off the area for the grill burners to vent. Adding briquettes can damage ignition components and knobs, and void the warranty.

Keep the back of the cart free and clear from debris. Keep any electrical supply cord, or the rotisserie motor cord away from the heated areas of the grill.

Never use the grill in extremely windy conditions. If located in a consistently windy area (oceanfront, mountaintop, etc.) a windbreak will be required (see below). Always adhere to the specified clearance.

**NEVER USE A DENTED OR RUSTY PROPANE TANK**

## PLACEMENT OF THE GRILL

### CLEARANCE

#### To Non-Combustible Construction

A minimum of 3" clearance from the back of the grill to non-combustible construction is required for the lid to open fully.

**DO NOT INSTALL THIS UNIT INTO COMBUSTIBLE ENCLOSURES!**

**MINIMUM CLEARANCE:**

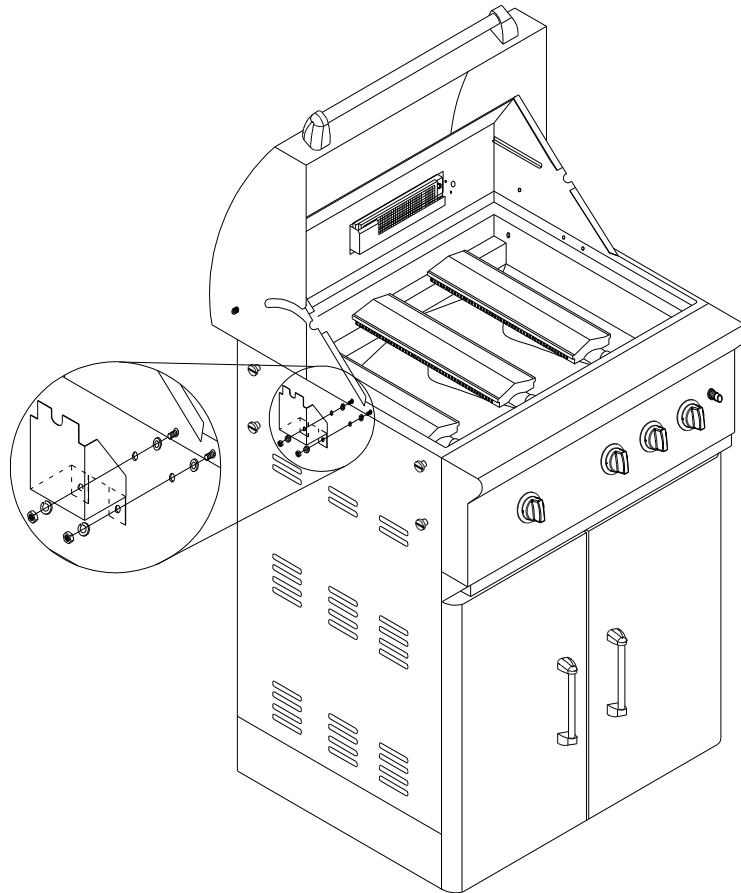
24" Clearance from all sides to combustible material.

### LOCATION

When determining a suitable location take into account concerns such as exposure to wind, proximity to traffic paths and keeping any gas supply lines as short as possible. Locate the grill only in a well-ventilated area. Never locate the grill in a building, garage, breezeway, shed or other such enclosed areas. During heavy use, the grill will produce a lot of smoke. Lock the wheels after the grill is placed in a suitable position.

## ROTISSERIE MOUNT INSTALLATION

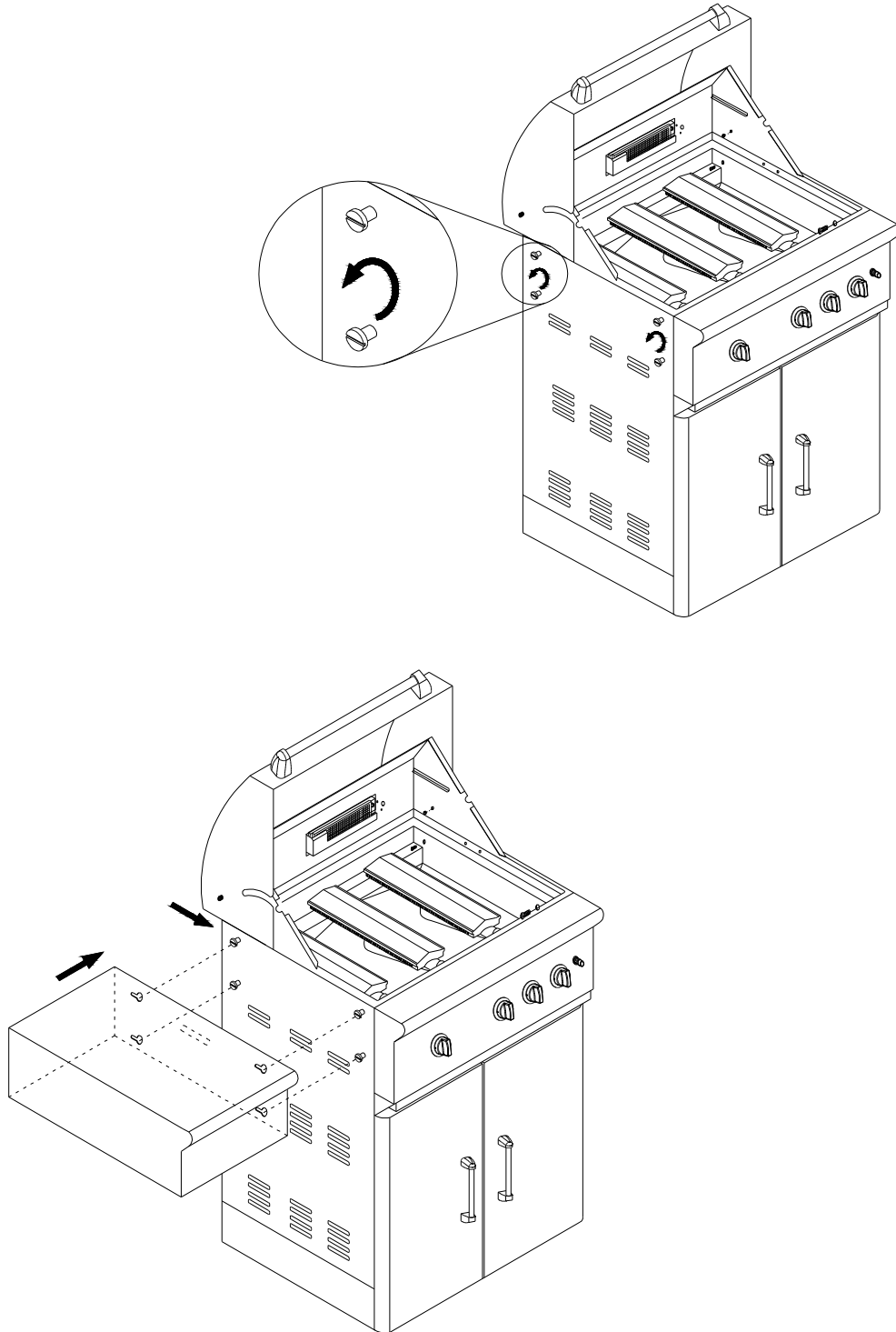
1. The screws for rotisserie mount are already screwed into the left side of the grill. Remove the screws and install the rotisserie motor mount as shown in the figure Below.





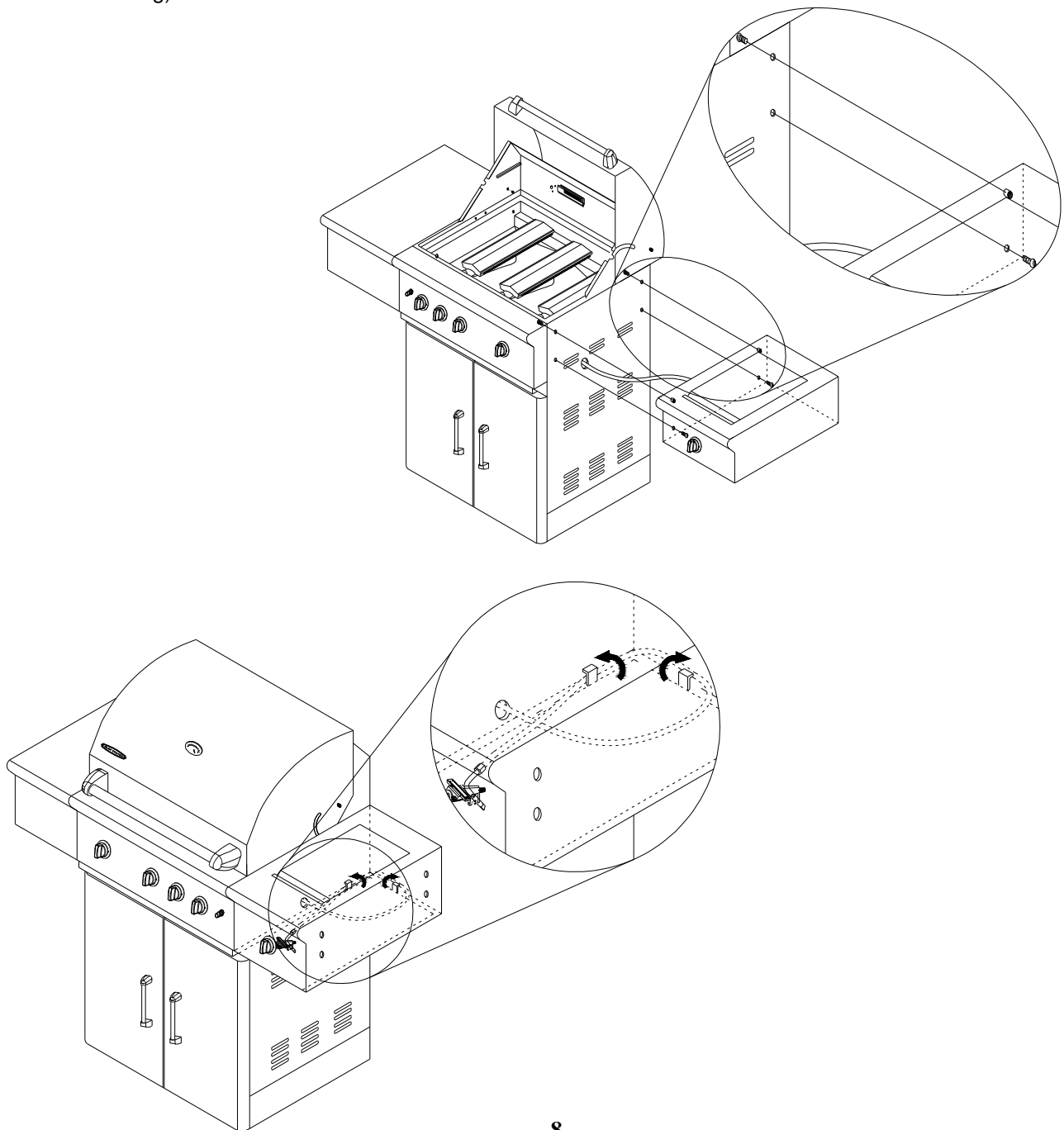
## SIDE SHELF ASSEMBLY

1. The screws used to attach the side shelf are already screwed into the two-side panel(see the figure below).remove the screws from the two-side panel, and put the side shelf to two-side panel, then tight screws for fixing strongly.



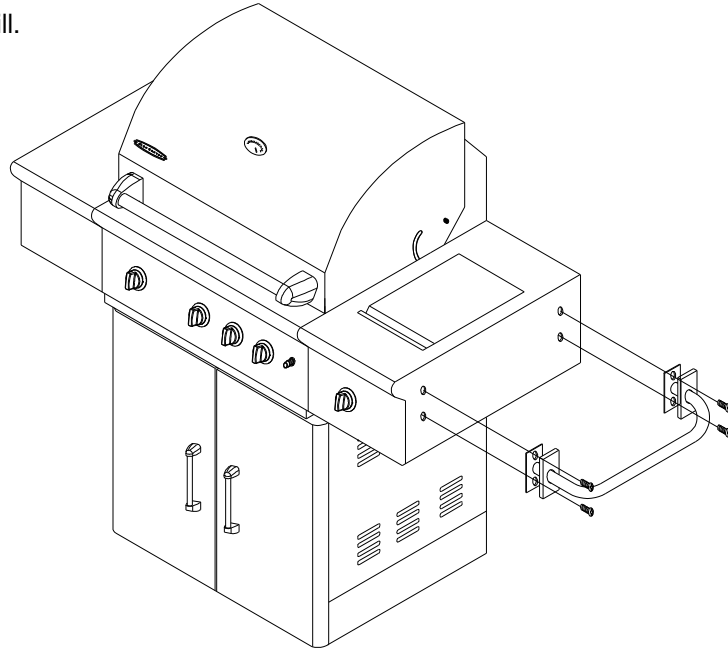
## SIDE BURNER ASSEMBLY

1. Open the grill lid and remove the side burner from the fire box.
2. The screws used to attach the side burner are already screwed into the side panels. Remove the screws from the side panels.
3. Align the holes of the right side burner with those in the side panels, insert the screws and tighten. The top two screws insert from inside the fire box while the bottom two screws insert from under the right side burner.
4. Secure the side burner hose with the two clips located under the side burner shelf (bottom drawing).



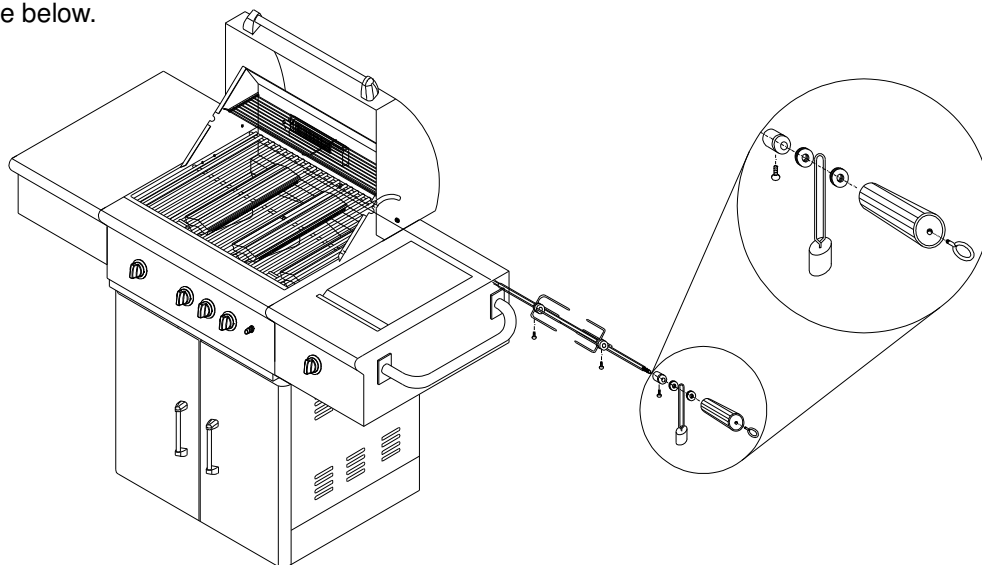
## SIDE SHELF HANDLE ASSEMBLY

1. The screws used to attach the side shelf handle are already screwed into the side shelf handle(see the figure below).remove the screws from the side shelf handle, align with the holes in the side shelf, and then secure into the holes on the right side shelf of the grill.



## ROTISSERIE KIT ASSEMBLY

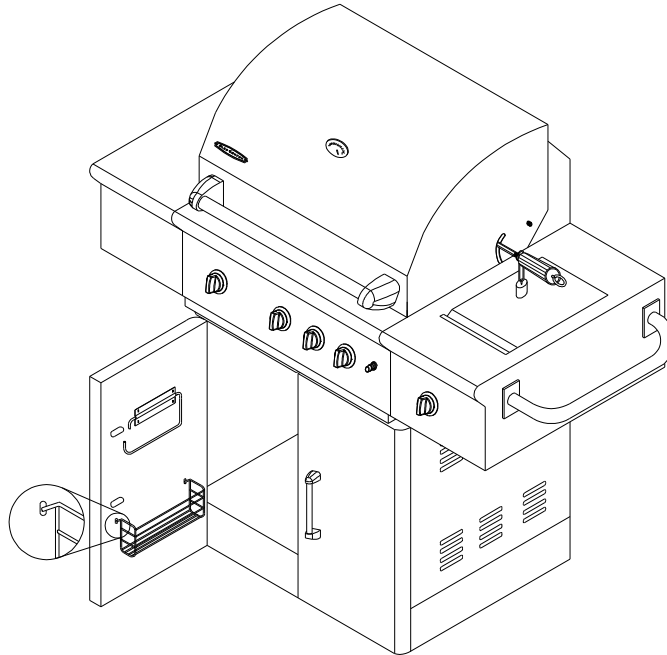
After install the rotisserie motor mount, Assemble the rotisserie skewer as shown in the figure below.



# SPICE TRAY ASSEMBLY

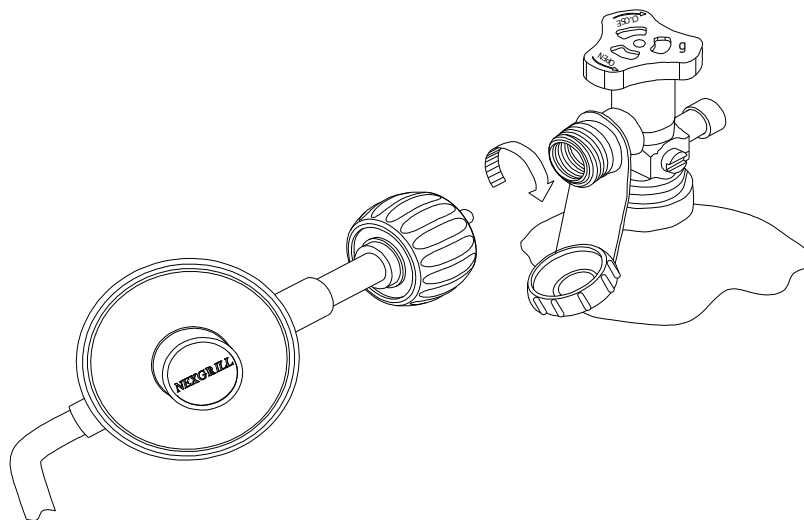


1. Hang up the spice tray into the holes on the left door as shown in the figure below.

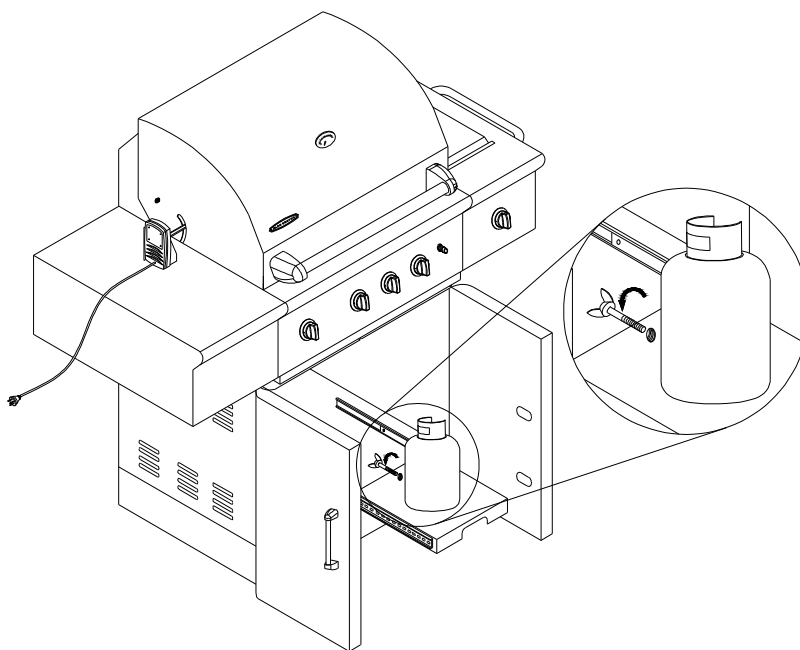


## PROPANE TANK ASSEMBLY

1. Attach regulator to the propane tank by turning the regulator handle clockwise (FIGURE 1).
2. Turn off LP supply at cylinder when appliance is not in use.

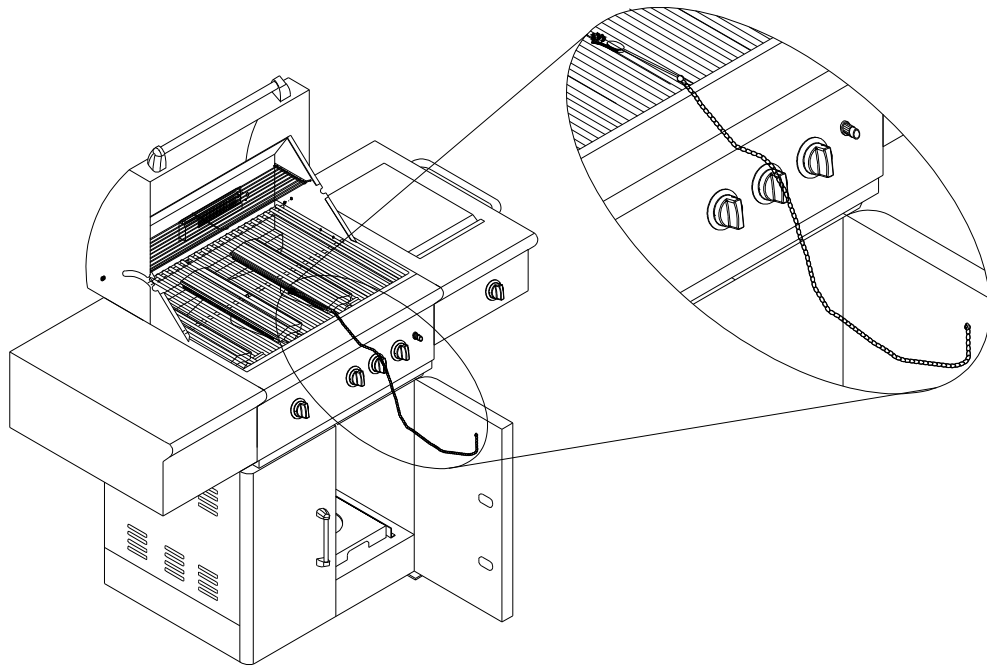


Put the gas tank into the gas tank pull-out tray. Then tighten up the gas tank fixed pole.



## TO MATCH LIGHT THE GRILL

1. If the burner will not light after several attempts then the burner can be match lit.
2. If you've just attempted to light the burner with the igniter, allow 5 minutes for any accumulated gas to dissipate. Keep your face and hands as far away from the grill as possible. Insert a lit extended match or lighter through the cooking grids to the burner. Press the control knob and rotate left to the HI setting, continue to press the knob until the burner ignites. Burner should light immediately. If the burner does not light in 4 seconds turn the knob off, wait 5 minutes and try again.



## GAS HOOK-UP

Only the pressure regulator and hose assembly supplied with the grill should be used. Any replacement pressure, regulator and hose assembly must be specified by the grill manufacturer.

*This is a liquid propane configured grill.*

Do not attempt to use a natural gas supply unless the grill has been pre-configured for natural gas use.

Total gas consumption (per hour) of 720-0145-LP grill with all burners on "HI":

Main burners	36,000 Btu/hr.
Side burner	12,000 Btu/hr.
<u>Rotisserie burner</u>	<u>10,000 Btu/hr.</u>
Total	58,000 Btu/hr.

The installation of this appliance must conform with local codes or, in the absence of local codes, with the national fuel gas code, ANSI Z223.1 Installation in Canada must be in accordance with the Standard CAN/CG A-B149.2 (installation code for gas burning appliances and equipment) and local codes.

### LP Gas Cylinder Requirements (20lb.Cylinder)

A dented or rusty LP Gas Cylinder may be hazardous and should be checked by your LP supplier. Never use a cylinder with a damaged valve. The LP gas cylinder must be constructed and marked in accordance with the specifications for LP gas cylinders of the U.S. Department of Transportation (DOT), or the National Standard of Canada, CAN/CSA-B339, Cylinders, Spheres and Tubes for Transportation of Dangerous Goods; and Commission.

The 20lb. cylinder must be provided with a shut off valve terminating in an LP gas supply cylinder valve outlet specified, as applicable, for connection type QCC1 is the standard for compressed gas cylinder valve outlet and inlet connection ANSI/CGA-V-1.

The cylinder supply system must be arranged for vapor withdrawal. The cylinder must include a collar to protect the cylinder valve.

Manifold pressure: (operating): 10" water column (W.C.),

LP Gas Cylinder must be fitted with Overfill Protection Device (OPD).

### LP GAS HOOK-UP:

Ensure that the black plastic grommets on the LP cylinder valve are in place and that the hose does not come into contact with the grease tray or the grill head.

### CONNECTION:

Your grill is equipped with gas supply orifices for use only with liquid propane gas. It is also equipped with a high capacity hose/regulator assembly for connection to a standard 20lb. LP cylinder (18-1/4" high, 12-1/4" diameter).

To connect the L.P. gas supply cylinder:

1. Make sure tank valve is in its full off position (turn clockwise to stop).
2. Check tank valve to ensure it has proper external male threads (type 1 connection per ANSI Z21.81).
3. Make sure all burner valves are in the off position.
4. Inspect valve connections, port and regulator assembly. Look for any damage or debris. Remove any debris. Inspect hose for damage. Never attempt to use damaged or obstructed equipment. See your local LP gas dealer for repair.
5. When connecting regulator assembly to the valve, hand tighten the nut clockwise to a complete stop. Do not use a wrench to tighten. Use of a wrench may damage the quick coupling nut and result in a hazardous condition.
6. Open the tank valve fully (counterclockwise). Use a soapy water solution to check all connections for leaks before attempting to light the grill. See below. If a leak is found, turn the tank valve off and do not use the grill until a local LP gas dealer can make repairs.

To disconnect LP gas cylinder:

1. Turn the burner valves off.
2. Turn the tank valve off fully (turn clockwise to stop).

Detach the regulator assembly from the tank valve by turning the quick coupling nut counterclockwise

# LEAK TESTING

## GENERAL

Although all gas connections on the grill are leak tested at the factory prior to shipment, a complete gas tightness check must be performed at the installation site due to possible mishandling in shipment, or excessive pressure unknowingly being applied to the unit. Periodically check the whole system for leaks following the procedures listed below. If the smell of gas is detected at anytime you should immediately check the entire system for leaks.

## BEFORE TESTING

Make sure that all packing material is removed from the grill including the burner tie-down straps.

**DO NOT SMOKE WHILE LEAK TESTING.**

**NEVER LEAK TEST WITH AN OPEN FLAME.**

Make a soap solution of one part liquid detergent and one part water. You will need a spray bottle, brush, or rag to apply the solution to the fittings. For the initial leak test, make sure the L.P. cylinder is full.

## TO TEST

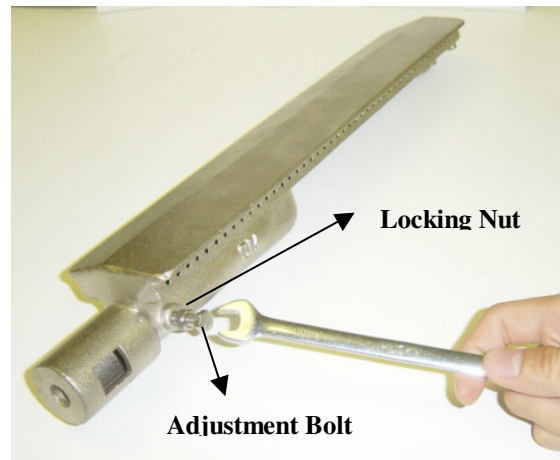
Make sure all control valves are in the "OFF" position. Turn the gas supply on. Check all connections from the L.P. cylinder up to and including the connection to the manifold pipe assembly (the pipe that goes to the burners). Soap bubbles will appear where a leak is present. If a leak is present, immediately turn off the gas supply, tighten any leaking fittings, turn gas on, and recheck. Should the gas continue to leak from any or all of the fittings, turn off the gas supply, and contact our customer service at 1-800-913-8999.

Only those parts recommended by the manufacturer should be used on the grill. Substitution will void the warranty. Do not use the grill until all connections have been checked and do not leak.

## Gas flow check:

Each grill burner is tested and adjusted at the factory prior to shipment; however, variations in the local gas supply may make it necessary to adjust the burners, the flames of the burners

Should be visually checked.



Flames should be blue and stable with no yellow tips, excessive noise or lifting. If any of these conditions exist, check to see if the air shutter or burner ports are blocked by dirt, debris, spider webs, etc. If you have any questions regarding flame stability, please call customer service at 1-800-913-8999.

## ALWAYS CHECK FOR LEAKS AFTER EVERY LP TANK CHANGE

**Check all gas supply fittings for leaks before each use. It is handy to keep a spray bottle of soapy water near the shut-off valve of the gas supply line. Spray all the fittings. Bubbles indicate leaks.**

**Disconnected L.P. cylinders must have threaded valve plugs tightly installed, and must not be stored in a building, garage or any other enclosed area.**

**The gas must be turned off at the supply cylinder when the unit is not in use.**

**If the appliance is stored indoors the cylinder must be disconnected and removed from the appliance. Cylinders must be stored outdoors in a well-ventilated area out of the reach of children.**



## INSTALLER FINAL CHECK

- Specified clearance maintained 24" from combustibles.
- All internal packaging removed.
- Knobs turn freely.
- Burners are tight and sitting properly on orifices.
- Pressure regulator connected and set for 11.2" W.C. LP gas. Gas connections to grill using hose & regulator assembly provided (pre-set for 11.0" water column).
- Unit tested and free of leaks.
- User informed of gas supply shut off valve location.

**PLEASE RETAIN THESE INSTRUCTIONS FOR FUTURE REFERENCE.**

# OPERATING INSTRUCTIONS

## General use of the grill and rotisserie

Each main burner is rated at 12,000 BTU/hr. The main grill burners encompass the entire cooking area and are side ported to minimize blockage from falling grease and debris. Above the burners are stainless steel radiant (flame tamers). The igniter knobs are located on the lower center portion of the valve panel. Each rotary igniter is labeled on the control panel.

## USING THE GRILL:

Grilling requires high heat for searing and proper browning. Most foods are cooked at the "HI" heat setting for the entire cooking time. However, when grilling large pieces of meat or poultry, it may be necessary to turn the heat to a lower setting after the initial browning. This cooks the food through without burning the outside. Foods cooked for a long time or foods basted with a sugary marinade may need a lower heat setting near the end of the cooking time.

## To begin:

1. Make sure the grill has been leak tested and is properly located.
2. Remove any remaining packing material.
3. Light the grill burners using the instructions on page 13.
4. Turn the control knob(s) to "HI" and preheat the grill for 15 minutes. The grill lid is to be closed during the appliance preheat period.
5. Place the food on the grill and cook to the desired doneness. Adjust heat setting, if necessary. The control knob may be set to any position between "HI" and "LO".

**NOTE:** The grill is designed to grill efficiently without the use of lava rocks or briquettes of any kind. Heat is radiated by the stainless steel flame tamers positioned above each burner.

**NOTE:** The hot grill sears the food, sealing in the juices. The longer the preheat, the faster the meat browns and the darker the grill marks.

## DO NOT LEAVE THE GRILL UNATTENDED WHILE COOKING.

## USING ROTISSERIE BURNER:

Your grill is capable of performing back burner rotisserie cooking. Light the rear burner as described in the lighting instructions, once lit, the rotisserie burner will reach cooking temperatures in about 1 minute.

The rotisserie motor is capable of turning up to a 12lb. cut of meat or poultry. The motor slides onto the stainless steel motor mount. The rotisserie motor must be electrically grounded in accordance with local codes or, in the absence of local codes, with the National Electrical Code, ANSI/NFPA 70-1990.

The skewer for the rotisserie is assembled into the motor assembly by placing the pointed end into the motor, and then sliding the grooved bushing into the slot at the opposite side of the grill. The thumbscrew for the grooved bushing should be inside the grill body. To load the skewer, begin with the bushing screwed on the skewer rod at the opposite end from the point. Slide the counter balance apparatus and tighten on the skewer rod approximately 2-4" from the bushing. Slide the first meat fork onto the skewer rod prongs toward the food. Center the product to be cooked on the skewer then push the meat forks firmly together. Tighten the wing nuts as tight as possible.

It may also be necessary to wrap the food with butchers string (never use nylon or plastic string) to secure any loose portions. Once the food is secure insert the skewer into the motor. It is normal for the skewer to flex when larger cuts of meat are being cooked. It may also be necessary to remove the cooking grids for larger cuts of meat. If the meat scrapes on the cooking grids during any part of the rotation, the grids must be removed. Adjust the counter balance weight to balance the heavier side of the meat and avoid lopsided rotation of the rotisserie motor.

After your first use of the rotisserie burner it is likely that the stainless steel adjacent to the burner will darken to a dark blue color. This is a normal property of the non-rusting, type 304 stainless steel used on the grill.

 **CAUTION: REMOVE THE WARMING RACK WHEN USING THE ROTISSERIE BURNER. THE HIGH HEAT COMING FROM THE BURNER MAY CAUSE THE WARMING RACK TO BEND.**

## WARNING

### ELECTRICAL GROUNDING INSTRUCTIONS

**This appliance (rotisserie motor) is equipped with a plug and should be plugged directly into a properly grounded receptacle. DO NOT cut or remove the grounding prong from this plug.**

Keep the rotisserie motor electric cord away from the heated surfaces of the grill. When not in use remove and store the motor in a dry location

## LIGHTING INSTRUCTIONS

### **WARNING: IMPORTANT!**

#### **BEFORE LIGHTING...**

Inspect the gas supply hose prior to turning the gas "ON". If there is evidence of cuts, wear, or abrasion, it must be replaced prior to use. Do not use the grill if the odor of gas is present. Only the pressure regulator and hose assembly supplied with the unit should be used. Never substitute regulators for those supplied with the grill. If a replacement is necessary, contact the factory for proper replacement.

Screw the regulator (type QCC1) onto the tank. Leak check the hose and regulator connections with a soap and water solution before operating the grill

#### **TO LIGHT THE GRILL BURNER:**

Make sure all knobs are "OFF" then turn on the gas supply from the LP tank. Always keep your face and body as far from the grill as possible when lighting.

Your grill has an exclusive patented built-in ignition. The igniter is built in to the valve. To ignite each burner simply push and turn the control knobs to the HI setting, you will hear the valve click as it sends a spark to the pilot flame. If the burner does not light, wait 5 minutes for any excess gas to dissipate and then retry.

#### **Flame Characteristics**

Check for proper burner flame characteristics. Each burner is adjusted prior to shipment; however, variations in the local gas supply may take minor adjustments necessary.

Burner flames should be blue and stable with no yellow tips, excessive noise, or lifting. If any of

these conditions exist call our customer service line. If the flame is yellow, it indicates insufficient air. If the flame is noisy and tends to lift away from the burner, it indicates too much air.

#### **TO MATCH LIGHT THE GRILL:**

If the burner will not light after several attempts then the burner can be match lit.

If you've just attempted to light the burner with the igniter, allow 5 minutes for any accumulated gas to dissipate. Keep your face and hands as far away from the grill as possible. Insert a lit extended match or lighter through the cooking grids to the burner. Press the control knob and rotate left to the HI setting, continue to press the knob until the burner ignites. Burner should light immediately. If the burner does not light in 4 seconds turn the knob off, wait 5 minutes and try again.

#### **TO LIGHT THE ROTISSERIE BURNER:**

Open the lid; push the knob for about 5 seconds without rotating. This will allow time for the gas to flow into the rear burner. Continue pushing for 5 seconds then turn the knob to the HI position, then press the igniter button to light the rotisserie burner. If the burner does not light, turn the control knob to "OFF". If the igniter does not function, follow the instruction above for match lighting.

Keep a spray bottle of soapy water near the gas supply valve and check the connections before each use.


Do not attempt to light the grill if odor of gas is present. Call for service 1-800-913-8999.

## USING THE SIDE BURNER

### **WARNING: IMPORTANT!**

#### **USING THE SIDE BURNER:**

Inspect the gas supply hose prior to turning the gas “ON”. If there is evidence of cuts, wear or abrasion, it must be replaced prior to use. Do not use the side burner if the odor of gas is present.

 **WARNING:** Always keep your face and body as far away from the burner as possible when lighting.

#### **LIGHT INSTRUCTION**

To light the side burner, remove any cooking utensils from the burner grate. Push and turn the

control knob counterclockwise to the “HI” position. If the burner does not light, turn the control knob to “OFF”. If the smell of gas is detected and the igniter is not functioning, immediately turn the control knob “OFF”. Allow 5 minutes for any accumulated gas to dissipate. If the side burner igniter is not functioning, see the following section for match lighting.

#### **MATCH LIGHTING**

Hold a lit extended match or lighter near the side burner ports, turn the control knob counterclockwise to “HI”. Move your hand immediately once the burner is lit. Rotate the control knob to the desired setting.

## CARE & MAINTENANCE

### **STAINLESS STEEL**

The grill is made from non-rusting and non-magnetic stainless steel. There are many different stainless steel cleaners available. Always use the mildest cleaning procedure first, scrubbing in the direction of the grain. To touch up noticeable scratches in the stainless steel, sand very lightly with dry 100 grit emery paper in the direction of the grain. Specks of grease can gather on the surfaces of the stainless steel and bake on to the surface and give the appearance of rust. For removal use an abrasive pad in conjunction with a stainless steel cleaner.

### **GRILL RACK**

The easiest way to clean the grill is immediately after cooking is completed and after turning off the flame. Wear a barbeque mitt to protect your hand from the heat and steam. Dip a brass bristle barbeque brush in tap water and scrub the hot grill. Dip the brush frequently in the bowl of water. Steam, created as water contacts the hot grill, assists the cleaning process by softening any food particles. The food particles will fall and burn. If the grill is allowed to cool before cleaning, cleaning will be more difficult.

***ENSURE THAT THE GAS SUPPLY AND THE KNOBS ARE IN THE “OFF” POSITION. MAKE SURE THE RANGETOP BURNER IS COOL BEFORE REMOVAL.***

### **GRILL BURNERS**

Extreme care should be taken when moving a burner as it must be correctly centered on the orifice before any attempt is made to relight the grill. Frequency of cleaning will depend on how often you use the grill.

### **GRILL BURNER CLEANING**

Ensure the gas supply is off and the knobs are in the “OFF” position. Make sure the grill is cool. Clean the exterior of the burner with a wire brush. Clear stubborn scale with a metal scraper. Clear any clogged ports with a straightened paper clip. Never use a wooden toothpick as it may break off and clog the port. Please note if insects or other obstructions are blocking the flow of gas through the burner, and if so you will need to call our customer service line: 1-800-913-8999.

### **GREASE TRAY CLEANING**

The grease tray should be emptied and wiped down periodically and washed in a mild detergent and warm water solution. A small amount of sand or cat litter may be placed in bottom of grease tray to absorb the grease. Check the grease tray frequently, don't allow excess grease to accumulate and overflow out of the grease tray.

## CARE & MAINTENANCE OF SIDE BURNER

### **SIDE BURNER CLEANING:**

Clean the exterior of the burner with a wire brush. Clear any clogged burner ports with a straightened paper clip. Never enlarge the burner ports. Never use a wooden toothpick as it may break off and clog the port.

### **STAINLESS STEEL:**

There are many different stainless steel cleaners available. Always use the mildest cleaning procedure first, scrubbing in the direction of the grain. Do not use steel wool, as it will scratch the surface. To touch up noticeable scratches in the stainless steel, sand very lightly with dry 100 grit sand paper in the direction of the grain.

### **SIDE BURNER GRATE:**

The top burner grate is stainless steel. To avoid burns do not clean a hot grate. They may be wiped while in place with hot, soapy water, rinsed and wiped dry. Never immerse a hot grate in water.

## TROUBLE SHOOTING

### **SPIDER AND INSECT WARNING!!!**

Spiders and insects can nest in the burners of the grill and cause the gas to flow from the front of the burner. This is a very dangerous condition, which can cause a fire to occur behind the valve panel, thereby damaging the grill and making it unsafe to operate.

### **WHEN TO LOOK FOR SPIDERS**

You should inspect the burners at least once a year or immediately after any of the following conditions occur:

1. The smell of gas in conjunction with the burner flames appearing yellow.
2. The grill does not reach temperature.
3. The grill heats unevenly.
4. The burners make popping noises.

### **BEFORE CALLING FOR SERVICE**

If the grill does not function properly, use the following checklist before contacting your dealer for service. You may save the cost of a service call.

## CHECK LIST

PROBLEM	SOLUTION
When I light the grill it does not flame immediately.	<ul style="list-style-type: none"> <li>--Make sure you have turn on the gas</li> <li>--Make sure it has spark while you are trying to ignite the burner.</li> <li>--Push in for approximately 5 second before to turn and ignite the grill.</li> <li>--Make sure your burner is clean.</li> </ul>
Rotisseries burner will not light when the igniter button is pushed.	<ul style="list-style-type: none"> <li>--Check to see if debris is blocking the electrode sparks.</li> <li>--Check to see there is spark that jumps to the burner from the electrode wire. If no spark is seen.</li> <li>--Check the battery located inside the button. Press and turn counter clockwise.</li> <li>--Check for loose wire connection.</li> <li>--Gently bend the electrode wire closer to the burner until a spark is seen to jump from the igniter to the burner when you press the starter button.</li> <li>--Dose the infrared back burner light when attempting to match light? If not, check did you turn on the gas.</li> </ul>
Regulator makes noise.	<ul style="list-style-type: none"> <li>--Vent hose on the regulator may be plugged or regulator may be faulty.</li> <li>--Ensure the vent hole on the regulator is not obstructed. Clear the hole, close the LP tank and gas control valves. Wait ten minutes and re-start.</li> <li>--When turning the LP tank valve on, do not cover vent hole on the regulator.</li> <li>--Check your flames for proper performance if the flames are not correct replace regulator.</li> </ul>
Full size cover does not fit the grill.	<ul style="list-style-type: none"> <li>--Cover may be incorrect for your grill. It may be a tight fit. Ensure the cover correct length for your grill. Measure it left to right. Compare to the grill's measurement.</li> <li>--Compare the location and size of the hood portion of the cover to your grill.</li> <li>--Spread the cover and allow it to relax, preferably in warm sunlight or in a warm room.</li> <li>--For grill with a side shelf bunch the cover like a sock, put on left to right.</li> </ul>

<p>Rotisserie motor will not turn</p>	<ul style="list-style-type: none"> <li>--Check the voltage at the outlet.</li> <li>--If an extension cord is required, ensure it is a 16 gauges, grounded cord.</li> <li>--Ensure the on/off switch is on.</li> <li>--Ensure the load does not exceed the 40 pounds operational capacity.</li> <li>--Ensure the spit is fully inserted in the motor.</li> <li>--Ensure there is no encumbrance or drag.</li> </ul>
<p>Grill only heats to 200-300 degrees.</p>	<ul style="list-style-type: none"> <li>--Ensure the temperature gauge is functioning properly. Hold a flame to the probe or compare the grill gauge to an oven thermometer place in the grill.</li> <li>--Ensure correct start procedure. Prior to lighting grill, the gas control knobs should be off. The propane bottle should be off. If not, wait 15 minutes. Turn tank all the way on.. Turn left burner to ignite, wait 5 seconds ignite. Repeat for additional burners.</li> <li>--Check all gas connections for leaks with bubble test. If leaks are found, replace the part or tighten the fitting.</li> <li>--If it is a natural gas grill, ensure there is proper pressure to the grill. Refer to the user manual. Example: Gas line stubbed off o pool heater may exhibit differences in pressure.</li> </ul>
<p>Grill takes a long time to preheat.</p>	<ul style="list-style-type: none"> <li>--Normal preheat 500-600degrees, takes about 10-15 min. Cold weather and wind may effect your preheat time.</li> <li>--If you are using volcanic rock or briquettes they can increase the preheat time and maximum temperature.</li> </ul>
<p>Burner flames are not light blue.</p>	<ul style="list-style-type: none"> <li>--Too much or not enough air mixes for the flame.</li> <li>--Elevation is the principal cause, however cold weather can affect the mixture. Burner adjustment may be required. Refer to manual for adjustment procedures (pg18).</li> <li>--Grill is in a windy location.</li> </ul>

## LIGHTING ILLUSTRATIONS

### Main Burner Lighting Illustration



1. Make sure the lid is open



2. Push and turn one of main burner knobs to HI position



3. It may require multiple attempts to light the burner. After the burner is lit, adjust the knob as desired.

### Rotisserie Burner Lighting Illustration



1. Push and turn the rotisserie knob to HI.



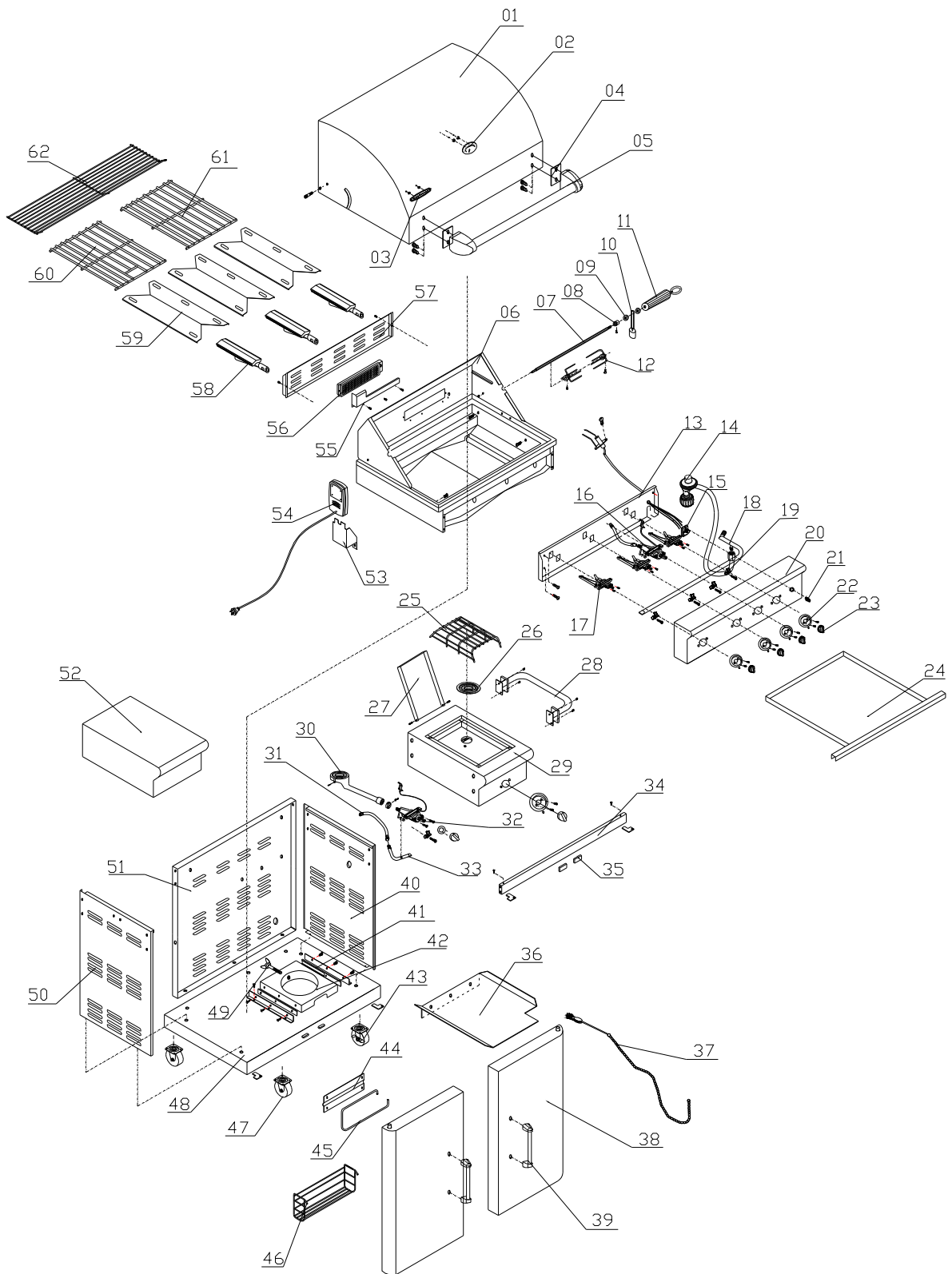
2. Press the electric igniter 3 to 4 seconds light the rotisserie burner.



3. After the rotisserie burner is lit, adjust the knob as desired.



# EXPLODED VIEW



## MODEL 720-0145-LP PARTS LIST

REF#	DESCRIPTION	Q'TY	REF#	DESCRIPTION	QTY
01	Lid, Front	1	32	Gas valve,Side burner	1
02	Heat Indicator	1	33	Gas hose connector	1
03	Name Plate	1	34	Frame,Cart	1
04	Heater Insulating Spacer	2	35	Magnet	2
05	Handle Assembly, Lid	1	36	heat insulation	1
06	Bowl assembly	1	37	Light Rod	1
07	Spit Rod	1	38	Door Assembly	2
08	Shaft Collar	1	39	Door Handle	2
09	Key washer	1	40	Right Panel,Cart	1
10	Counter-Balance	1	41	Gas Tank Tray Slide	2
11	Rotisserie Handle	1	42	Gas Tank Tray	1
12	Spit Fork	2	43	Caster with Brake	2
13	Front Baffle	1	44	Tower Rack Bracket	1
14	Regulator LP	1	45	Tower Rack	1
15	Electric Ignitor	1	46	Spice Tray	1
16	Gas valve,Rear Burner	1	47	Caster	2
17	Gas valve,Main burner	3	48	Bottom Panel	1
18	Valve Manifold	1	49	Retention Kit of Gas tank	1
19	Manifold Retainer Bracket	5	50	Left Panel,Cart	1
20	Control Panel	1	51	Rear Panel,Cart	1
21	Electric Ignition Button	1	52	Side shelf	1
22	Control Knob Seat	5	53	Motor Bracket	1
23	Control Knob	5	54	Motor	1
24	Grease Tray	1	55	Gas Collector,Rear Burner	1
25	Cooking Grid,Side Burner	1	56	Infrared Burner	1
26	Side burner Body	1	57	Rear Barrel,Rear Burner	1
27	Lid,Side burner	1	58	Main burner	3
28	Side burner handle	1	59	Flame Tamer	3
29	Fire Grate,Side burner	1	60	Cooking Grid with Hole	1
30	Pipe Side Burner	1	61	Cooking Grid	1
31	Pvc Hose	1	62	Warming Rack	1

## GRILLING HINTS

The doneness of meat, whether rare, medium, or well done, is affected to a large degree by the thickness of the cut. Expert chefs say it is impossible to have a rare doneness with a thin cut of meat.

The cooking time is affected by the kind of meat, the size and shape of the cut, the temperature of the meat when cooking begins, and the degree of doneness desired.

When defrosting meats it is recommended that it be done overnight in the refrigerator as opposed to a microwave. This in general yields a juicier cut of meat.

Use a spatula instead of tongs or a fork to turn the meat, as a spatula will not puncture the meat and let the juices run out.

To get the juiciest meats, add seasoning or salt after the cooking is finished on each side and turn the meat only once (juices are lost when the meat is turned several times). Turn the meat just after the juices begin to bubble to the surface.

Trim any excess fat from the meat before cooking. To prevent steaks or chops from curling during cooking, slit the fat around the edges at 2-inch intervals.

***DO NOT LEAVE THE GRILL UNATTENDED WHILE COOKING.***

## GRILL COOKING CHART

FOOD	WEIGHT OR THICKNESS	FLAME SIZE	APPROXIMATE TIME	SPECIAL INSTRUCTIONS AND TIPS
VEGETABLES				Slice. Dot with butter or margarine. Wrap in heavy-duty foil. Grill, turning occasionally.
Fresh: Beets Carrots Turnips		Medium	12 to 20 minutes	Grill, turning once. Brush occasionally with melted butter or margarine.
Onion	1/2 inch slices	Medium	8 to 20 minutes	Season with Italian dressing, butter, or margarine.
Potatoes Sweet	Whole	Medium	40 to 60 minutes	Wrap individually in heavy-duty foil. Grill, rotating occasionally.
White	6 to 8 ounces	High	45 to 60 minutes	
Frozen Asparagus Peas Green beans Sprouts Broccoli Brussels		Medium	15 to 30 minutes	Dot with butter or margarine. Wrap in heavy-duty foil. Grill, turning occasionally.
French fries		Medium	15 to 30 minutes	Place in aluminum foil pan. Grill, stirring occasionally.
FOOD	WEIGHT OR THICKNESS	FLAME SIZE	APPROXIMATE TIME	SPECIAL INSTRUCTIONS AND TIPS
MEATS BEEF				
Hamburgers	1/2 to 3/4 inch	Medium	10 to 18 minutes	Grill, turning once when juices rise to the surface. Do not leave hamburgers unattended since a flare-up could occur quickly.
Tenderloin, Porterhouse, Rib eye		High	8 to 15 minutes	
Rare	1 inch	High	8 to 14 minutes	Remove excess fat from edge. Slash remaining fat at 2-inch intervals. Grill, turning once.
Medium	1-1/2 inch	High	11 to 18 minutes	
	1 inch	Medium to	12 to 22 minutes	
	1-1/2 inch	High	16 to 27 minutes	
Well-done	1 inch	Medium	18 to 30 minutes	
	1-1/2 inches	Medium	16 to 35 minutes	

Lamb Chops & Steaks Rare	1 inch	High	10 to 15 minutes	Remove excess fat from edge. Slash remaining fat at 2-inch intervals. Grill, turning once.
	1-1/2 inch	High	14 to 18 minutes	
	1 inch	Medium to High	13 to 20 minutes 18 to 25 minutes	
Well-done	1 inch	Medium	17 to 30 minutes	
Pork Chops	1 inch	Medium	20 to 30 minutes	Remove excess fat from edge. Slash remaining fat at 2-inch intervals. Grill, turning once. Cook well done.
	1-1/2 inches	Medium	30 to 40 minutes	
Ribs Pork		Medium	30 to 40 minutes	Grill, turning occasionally. During last few minutes brush with barbecue sauce, turn several times.
Ham steaks (precooked)	1/2 inch slices	High	4 to 8 minutes	Remove excess fat from edge. Slash remaining fat at 2-inch intervals. Grill, turning once.
Hot dogs		Medium	5 to 10 minutes	Slit skin. Grill, turning once.
POULTRY Broiler/fryer	2 to 3 pounds	Low or	1 to 1-1/2 hours	Place skin side up. Grill, turning and brushing frequently with melted butter, margarine, oil or marinade.
FOOD	WEIGHT OR THICKNESS	FLAME SIZE	APPROXIMATE TIME	SPECIAL INSTRUCTIONS AND TIPS
Breasts well-done		Medium	30 to 45 minutes	Marinate with Italian dressing
FISH AND SEAFOOD				Grill, turning once. Brush with melted butter, margarine or oil to keep moist.
Steaks Halibut Salmon Swordfish	3/4 to 1 inch	Medium to High	8 to 15 minutes	
Whole Catfish	4 to 8 ounces	Medium to	12 to 20 minutes	Grill, turning once. Brush with melted butter, margarine or oil.
Rainbow trout		High		Brush with melted butter and lemon juice.

## GRILL RECIPE SUGGESTIONS

### BBQ SALMON

2 large salmon steaks  
2 tbs. oil  
Salt & pepper  
2 oz. thin bacon slices  
2 tbs. butter  
1 tbs. lemon juice  
Sprig of parsley  
Lemon wedges

Note: Substitute catfish, halibut or cod for salmon.

### Preheat the BBQ

Brush the steaks with oil and season with salt and pepper. Place on BBQ grill and cook for 10 minutes, turning steaks over halfway through cooking time.

Meanwhile fry the bacon in a pan on the side burner. Drain on paper towels. Melt the butter in a small saucepan taking care not to discolor it. Arrange the fish and bacon on serving plates. Pour the butter over and sprinkle with lemon juice. Garnish with parsley sprigs and lemon wedges. Serve with boiled potatoes in butter and sprinkled with parsley.

### BAKED CHILI CORN

6 medium ears corn, husked  
3 tbs. butter or margarine, melted  
Dash ground cumin  
Dash ground coriander

About 1/2 hour before cooking, turn the grill on for butter. Place each ear on a heavy-duty foil. In a bowl, combine remaining ingredients. Mix well. Brush 1-1/2 tsp. butter mixture over each ear. Close foil and fold up ends to seal. Place on grill. Cook, turning packets occasionally 10 to 12 minutes or until cooked through.

### TANGY SEAFOOD KABOBS

1 lb. large shrimp, shelled & divined  
3/4 Lbs. Sea scallops  
2/3 c. chili sauce  
1/4 c. cider vinegar  
3 tbs. Chopped parsley  
1 tbs. Vegetable oil  
1 tbs. Worcestershire sauce  
1/2 tsp. Prepared horseradish  
1 clove garlic, minced

1 20 oz. Can pineapple chunks in juice drained In medium bowl, combine shrimp and scallops. In small bowl combine chili sauce and next six ingredients. Pour over seafood. Toss to coat. Cover, refrigerate 2 hours.

Half-hour before cooking, turn the burner to the grill on high. Drain seafood-reserving marinade. On each of twelve 10" skewers, thread 2 shrimps and 2 scallops, alternating with pineapple chunks. Place skewers on grill. Cook 7-10 minutes, basting and turning often.

### PORK CHOPS

4 pork chops  
Marinade  
1 large onion  
2 tbs. lemon juice or vinegar  
2 tbs. oil  
1/2 tsp. freshly ground black pepper.  
1 tsp. sugar  
1/2 tps. paprika  
1 clover garlic  
Peel, grate onion, and add rest of the ingredients except the pork chops. Mix well. Pour over chops and marinate one hour in a cool place. Turn the BBQ grill on high. Heat 10 minutes. BBQ the chops brushing with the marinade occasionally. Serve with mixed salad, dressed with vinaigrette flavored with fresh dill.

### BARBECUED POTATOES and CHEESE

1 -1/2 cups shredded cheddar cheese  
1 can (10-3/4 oz.) condensed cream of mushroom soup  
1/3 cup milk  
2 tbs barbecue sauce  
1/4 tsp. oregano  
1/4 tsp. salt  
1/8 tsp. pepper  
4 cups thinly sliced potatoes  
(4 medium-sized potatoes)

Preheat grill. Combine cheese ,condensed soup, milk, BBQ sauce, oregano, salt and pepper in a large mixing bowl. Stir in potatoes until well coated. Turn into well-buttered 1-1/2 quart rectangular baking dish. Cover dish with

aluminum foil. Bake covered 25 minutes on medium with the lid of your BBQ grill closed. Remove foil and continue baking 15 minutes longer or until potatoes are tender. Let stand 5 minutes before serving.

### BARBECUED LONDON BROIL

4 to 6 servings  
3/4 c. Italian dressing  
1 tsp. Worcestershire sauce  
1 tsp. Dry mustard  
1/4 tsp. Thyme, crushed  
1 medium onion, sliced  
1 pound flank steak, scoured  
2 tbs. Butter, melted

Combine first 4 ingredients, add onion and marinade flank steak with it. Refrigerate at least 4 hours or overnight. Remove steak and grill on preheated BBQ grill. Grill 5 to 7 minutes on each side basting frequently with the marinade. In the meantime sauté onions from the marinade in butter in a skillet on grill side burner for 3 minutes. To serve, slice steak diagonally into thin slices, sprinkle onions over top. Garnish with vegetable kabobs.

### VEGETABLE KABOBS

3 medium-size zucchini  
12 cherry tomatoes  
12 fresh mushrooms  
Grated parmesan cheese

Parboil whole zucchini 5 minutes on grill side burner or until just tender. Drain and cut into 1/2 inch slices. Thread zucchini, tomatoes and mushrooms alternately on each of six skewers. Brush with marinade made of Italian dressing, Worcestershire sauce, mustard and thyme. Grill 5 to 7 minutes turning and basting occasionally. Sprinkle liberally with Parmesan cheese.

### FAJITAS

1-1/2 lb. flank steak or boned chicken breasts  
2 tbs. oil  
1/2 cup lime juice

½ tsp. salt  
 ½ tsp. celery salt  
 ¼ tsp. garlic powder  
 ½ tsp. pepper  
 ¼ tsp. oregano  
 ¼ tsp. cumin  
 Flour tortillas  
 Lemon

Pound flank steak to ¼ inch thickness or flatten chicken breasts. Mix oil, limejuice and seasonings in a zip lock bag. Add meat and shake bag to coat the meat. Refrigerate overnight or at least 6 to 8 hours. Wrap tortillas in foil. Remove meat from marinade. Cook on a pre-heated gas grill for 5 to 8 minutes on each side. While meat is cooking, heat tortillas on grill. Slice meat across grain in thin slices. Place on hot platter. Squeeze lemon juice over. Wrap meat and any of the following toppings in tortillas: chopped tomatoes, guacamole, sour cream, and taco sauce.

#### **BEEF AND LAMB KABOBS**

Serve 4  
 ½ lb. boneless sirloin or beef cut into 1" cubes  
 ½ lb. boneless loin of lamb cut into 1" cubes  
 2/3 c. water, divided  
 ¼ c. chopped onion  
 2 tbs. soy sauce  
 ¼ c. vegetable oil, divided  
 1 tbs. dark brown sugar  
 1 tbs. fresh lemon juice  
 2 cloves garlic, minced  
 ¼ tsp. ground cumin  
 ¼ tsp. ground coriander  
 ¼ tsp. ground turmeric  
 1/8 tsp. ground red pepper  
 1/8 tsp. ground ginger  
 1 red pepper cut into chunks  
 1 large banana, cut into chunks  
 8 small mushrooms  
 1/3 c. smooth peanut butter

In blender, process 1/3 c. water, onion, soy sauce, 2 tsp. oil and the next 8 ingredients until smooth. Pour over meat cubes and marinate about 4 hours, turning occasionally. Drain and reserve marinade. On to four 12" skewers alternately thread meat, pepper, banana and mushrooms. Preheat grill. Brush the kabobs with oil. Grill 7-8 minutes each side.

Bring marinade to boil on the side burner in a saucepan. Add remaining 1/3 c. water and peanut butter. Stir to blend. Heat through. If sauce gets too thick, add 1 tbs. water. Serve sauce with kabobs.

#### **EGGPLANT CAVIAR**

1 large eggplant  
 2 tbs. olive oil  
 2 tbs. wine vinegar  
 2 tbs. finely chopped onion  
 ½ clove garlic, minced  
 1 medium tomato, chopped salt and pepper

Roast eggplant on gas grill over medium flame, turning occasionally until thoroughly cooked. This may take 30 minutes. Remove from grill and cool for handling. Strip off the skin and chop eggplant finely. Add all the seasonings. Chill thoroughly and serve on toast.

#### **CHICKEN TANDOORI STYLE**

8 large chicken thighs or drumsticks  
 1 c. plain nonfat yogurt  
 ½ c. lemon juice  
 2 tsp. salt  
 ½ tsp. cayenne  
 ½ tsp. black pepper  
 ½ tsp. crushed garlic  
 ½ tsp. grated ginger  
 1 tbs. corn oil

Combine all the ingredients in a large mixing bowl and marinate the chicken for 8 hours in the refrigerator. Drain the chicken and spread on the spit running the rod on the fleshier side of the bone.

Rotis using the rotis burner. Cook on medium high heat for 40 minutes basting occasionally with the remainder of the marinade mixture. Serve with sliced onions and lemon wedges.

#### **SPARE RIBS**

Marinade:  
 1 c. soy sauce  
 ½ c. honey  
 ½ c. vinegar  
 ½ c. dry shZerry  
 2 tsp. chopped garlic  
 2 tsp. sugar  
 1 c. water

1 chicken bouillon cube  
 1 can beer for basting sauce

Marinate ribs for 3 hours. Use marinade for basting by adding beer to it. Place pan under the ribs and baste frequently. To cook ribs select lean, meaty ribs and accordion pleat them with your spit. Slide four-prong meat hook down the length of spit and tighten. At the beginning of the rack and to its center, penetrate the second rib with the pointed end of the spit and push it between the meat. Skip a couple and continue the process until the entire rack is accordion pleated. Fasten the second meat hook into the rack. Turn rotisserie burner on high. Rotisserie for 50 minutes or until done.

#### **PORK ROAST**

Apple cider vinegar basting sauce:  
 1 c. apple cider vinegar  
 6 oz. water  
 ½ stick butter  
 Salt, pepper, parsley and garlic seasoning  
 2 oz. lemon juice  
 10 lbs. pork roast

Time: 1-1/2 hours to 2 hours  
 Bring pork to room temperature before placing it on the rotisserie spit rod. Place on the rod and test for balance. Light rotisseries burner. Turn control knob to high. Use the above basting sauce for rotissing.

#### **TURKEY**

12 lb. turkey  
 Beer basting sauce:  
 1 can beer  
 12 oz. water  
 1 stick butter  
 1 tsp. salt  
 1 tsp. pepper  
 ½ tsp. garlic flakes  
 1 tsp. parsley

Thaw the bird completely. Wash inside out. Securely tie the legs and wings. Before placing the turkey on the rotisserie spit rod, light rotisseries burner. Turn to high. Combine all the ingredients for basting sauce in a shallow pan. Place it under the turkey 15 to 20 minutes. Cook for approximately 3 hours. The basting sauce combined with turkey drippings makes delicious gravy.

**LIMITED WARRANTY  
MODEL 720-0145-LP  
STAINLESS STEEL OUTDOOR GAS GRILL**

*Nexgrill Industries, Inc.* warrants to the original consumer purchaser of each Outdoor Gas Grill that when subject to normal residential use, it is free from defects in workmanship and materials for the periods specified below. This warranty excludes grills used in rental or commercial applications. There will be a shipping and handling charge for the delivery of the warranty part(s).

<b>Component</b>	<b>Warranty Period:</b>
Stainless Steel Burners:	Limited Life Time
Stainless Steel Parts:	Limited Life Time
Gas Components:	2 Years
All other non S.S. parts	3 Years

Our obligation under this warranty is limited to repair or replacement, at our option, of the product during the warranty period. The extent of any liability of *Nexgrill Industries, Inc.* under this warranty is limited to repair or replacement. This warranty does not cover normal wear of parts, damage resulting from any of the following: negligent use or misuse of the product, use on improper fuel/gas supply, use contrary to operating instructions, or alteration by any person other than our factory service center. The warranty period is not extended by such repair or replacement.

**Warranty claim procedure:** If you require service or parts for your grill, please contact our Warranty Service Center for factory direct assistance. Our hours of operation are 8 AM to 5 PM PST. Our number is 1-800-913-8999 and our FAX number is 1-909-598-8999. Please direct all correspondence to: *Nexgrill Industries, Inc. 280 Machlin Court, City of Industry, CA 91789 ATTN: Warranty Service Center.*

Product repair as provided under this warranty is your exclusive remedy. *Nexgrill Industries, Inc* shall not be liable for any incidental or consequential damages for breach of any express or implied warranty on its products. Except to the extent prohibited by applicable law, any implied warranty or merchantability or fitness for a particular purpose on this product to the duration of the above warranty. Some states do not allow the exclusion or limitation of incidental or consequential damages, or allow limitations on how long an implied warranty lasts, so the above limitations or exclusions may not apply to you. This warranty gives you specific legal rights, and you may have other rights, which vary from state to state.

Printed In China