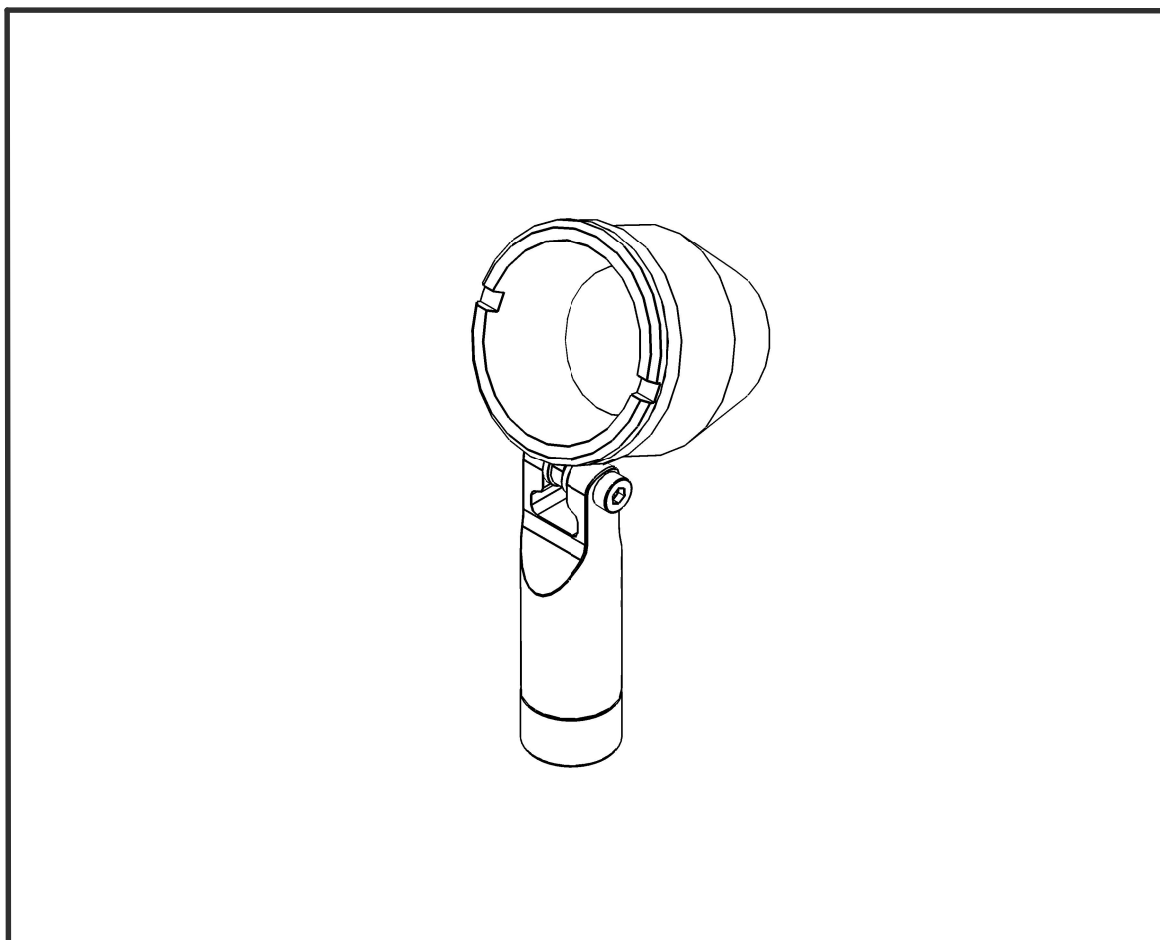


# Ara 3

User manual

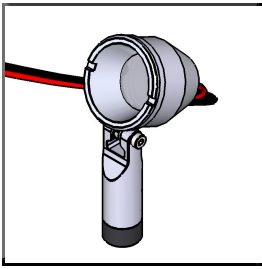


## Mounting and installation instructions

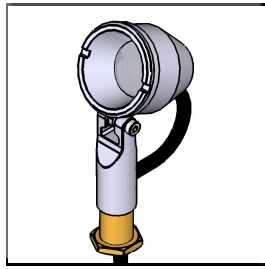
Item no.:	1147 3110	Ara 3 3000K black
	1141 3110	Ara 3F 3000K black

# 1. Product overview (ordering)

## 1. Fitting



Ara 3  
1147 3110



Ara 3 M10x1  
1141 3110

## 2. Driver

Number of Ara	1	2 - 3	4 - 8
Driver	3A 6W	3A 6W	2A 15W
Dimming	1-10 V	1-10 V	1-10 V



3A 6W  
1148 0012



3A 6W  
1148 0004



3A 15W  
1148 0003

## 3. Lens

Lens type	Spot 10	Narrow 20	Medium 30	Oval48/8
Beam angle	10°	19°	31°	46/8°



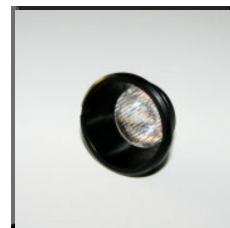
Lens A 10°  
1148 0100



Lens A 20°  
1148 0300

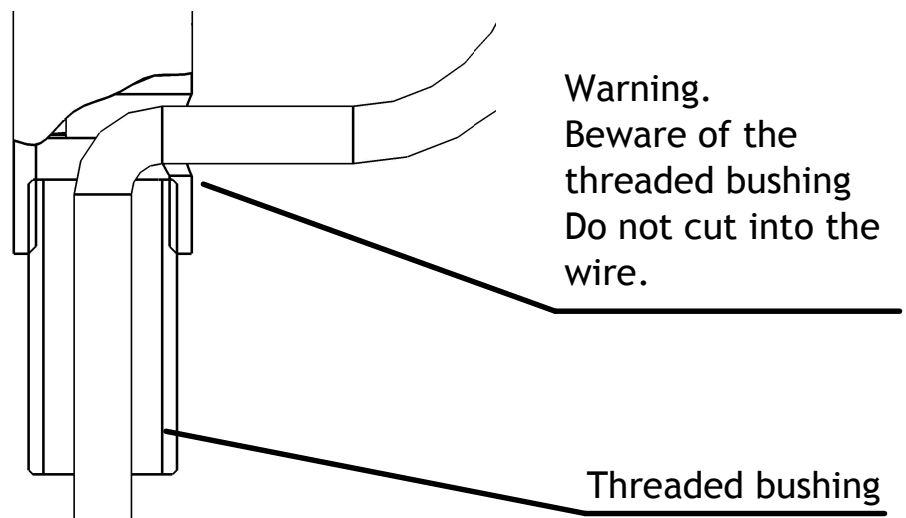
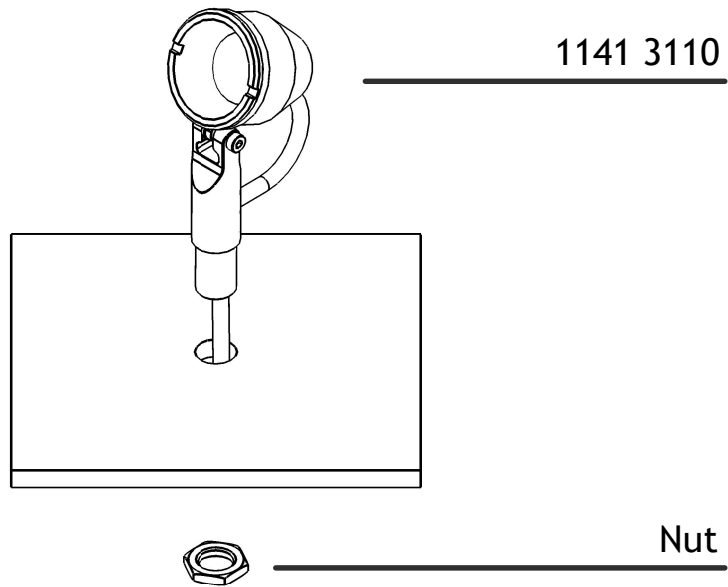
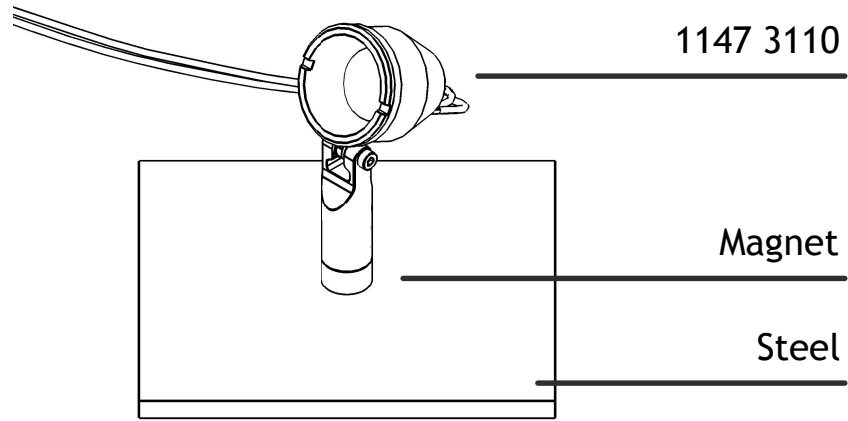


Lens A 30°  
1148 0500



Lens A 48/8°  
1148 0400

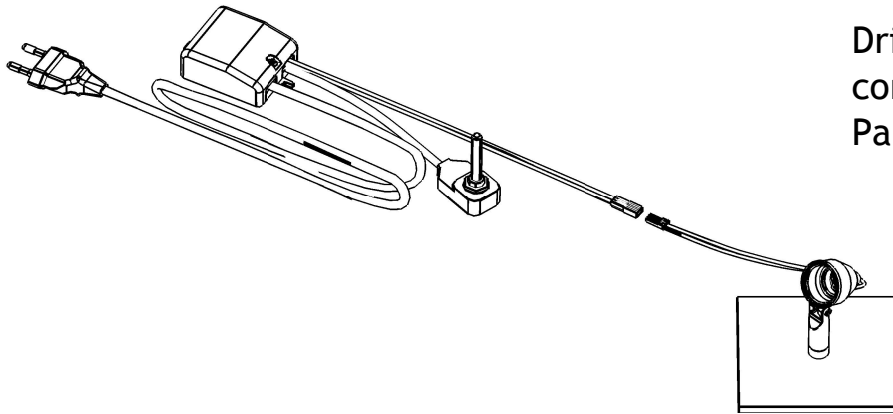
## 2. Install



### 3. Connecting to driver.

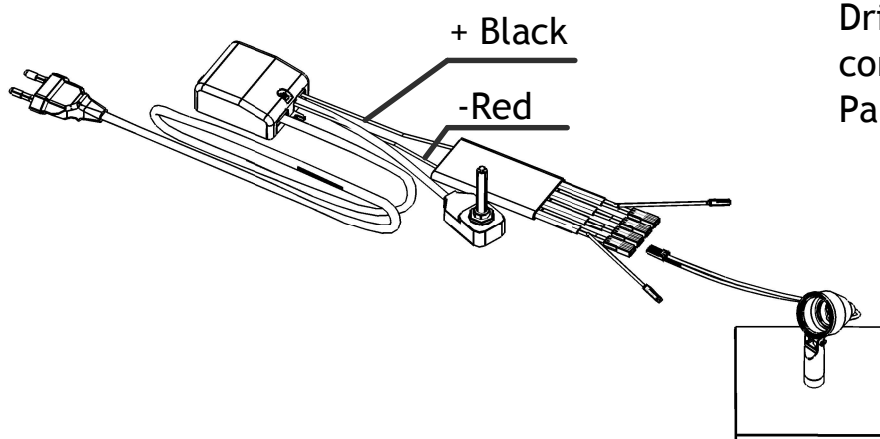
Please follow national rules for connecting Class II luminaire.

#### a. Connecting 1 fitting.



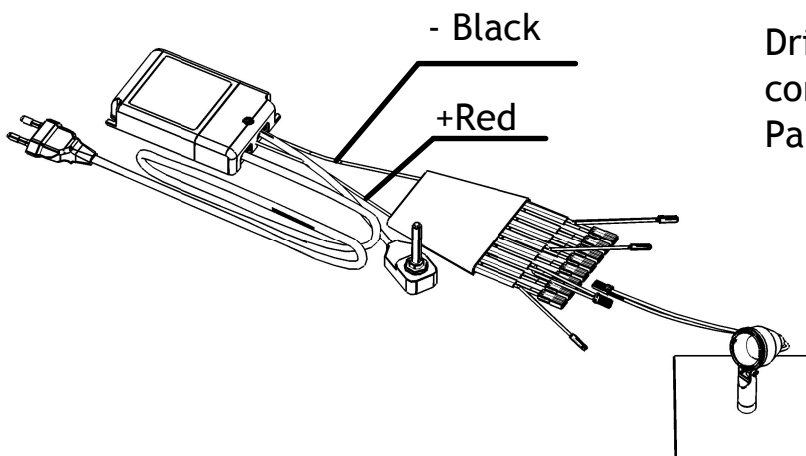
Driver type 500 mA  
constant current  
Part no: 1148 0012

#### a. Connecting 2-4 fitting.



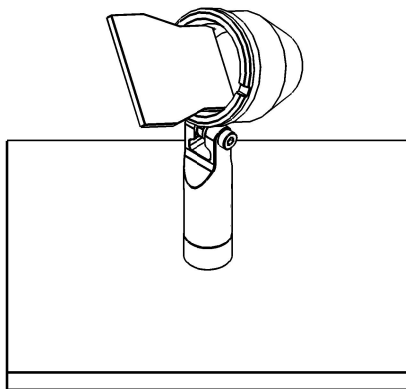
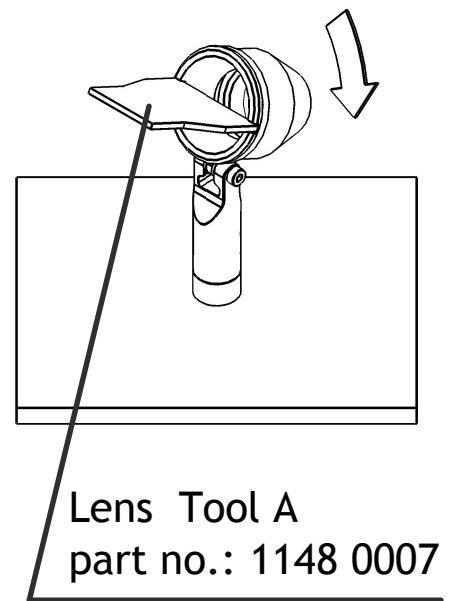
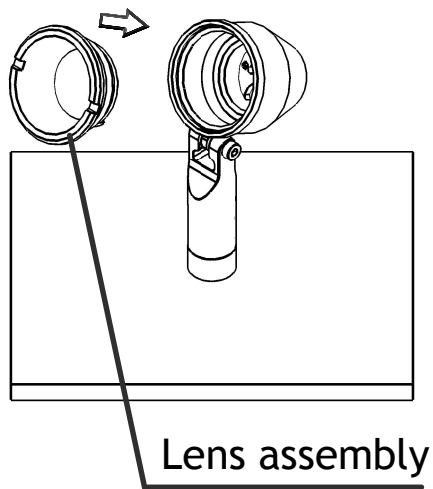
Driver type 500 mA  
constant current  
Part no: 1148 0004

#### b. Connecting 4 - 8 fittings.



Driver type 500 mA  
constant current  
Part no. 1148 0003

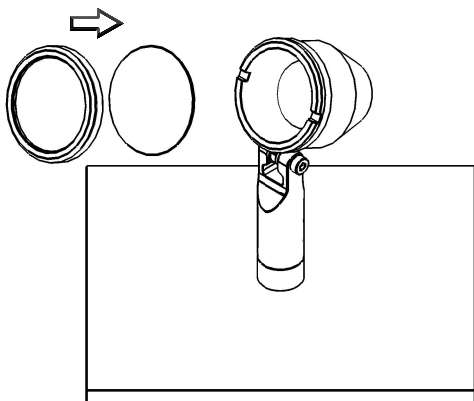
#### 4. Mounting of lens



When adjusting the 48° / 8° lens use the narrow end of Lens Tool A.

#### 4a. Mounting of external filter.

You can mount a filter using Filter Clip A. Filter should be made of Lee, Rosco or another plastic filter.  
Dimension: Ø28 x 0.4 mm max.



## 5. Technical data

Input current	500 mA Max.
Total power	1.7 W
Driver mode:	Constant Current
Material	Aluminium
Surface treatment	Anodised
Size	Ø29 x 44 x 76
Weight	60 g
Mounting hole	None
Mounting	Magnetic or M10 nut
Built-in height	0
Optics	Lens (accessories)
CCT	3000 K
CRI 8 (Ra)	97
LED Luminous Flux	95 lm
LED Efficacy	57 lm/W
Fixture Efficacy	38-49 lm/W

For further information: [www.roblon.com](http://www.roblon.com)

## 5. Accessories

Image	Model designation	Description	Item no.
	Lens A 10°	Spot 10	1148 0100
	Lens A 20°	Narrow 20	1148 0300
	Lens A 30°	Medium 30	1148 0500
	Lens A 48° / 8°	Oval 48/8	1148 0400
	Filter Clip A	Mounting ring for colour filters.	1148 0006
	Lens Tool A	For mounting / removing lenses	1148 0007
	Driver 3A 15W	15W 500 mA. Plug-and-play LED driver. Connect 1 fitting. 1 - 10 V dimming.	1148 0003
	Driver 3A 6W	6W 500 mA. Plug-and-play LED driver. Connect 2 - 3 fitting. 1 - 10 V dimming.	1148 0004
	Driver 3A 6W	6W 500 mA. Plug-and-play LED driver. Connect 4 - 8 fitting. 1 - 10 V dimming.	1148 0012

Roblon accepts no responsibility for possible errors in printed and electronic material. Roblon reserves the right to alter or discontinue products without notice. © 2012, Roblon A/S

# Roblon

Roblon Lighting  
Nordhavnsvej 1  
9900 Frederikshavn  
Denmark

Tel.: +45 9620 3366  
Fax: +45 9620 3396  
info@roblon.com  
www.roblon.com