

# LIGHTMOODS™

## Single Color Dome LED Neon Ribbon Light

### USER MANUAL DMSC-24V-60

**(Green/Blue/Warm White/White/Cool White/Daylight White)**

PLEASE READ THESE INSTRUCTIONS CAREFULLY BEFORE INSTALLATION AND LEAVE A COPY FOR THE END USER/MAINTENANCE ENGINEER FOR FUTURE REFERENCE

#### FEATURES

1. Model: DMSC-24V-60
  2. Rated input voltage: DC 24V
  3. Rated Power: 12W/m
  4. Dimension: 11.5\*29mm
  5. LED quantity: 60LEDs/mtr
  6. LED Spacing: 16.67mm
  7. Min. cutting length: 100mm( 6LEDs)
  8. Max. running length: 10mtrs for single end feed ;  
20mtrs for double ends feed
  9. Light color: Single Color  
(Green/Blue/Warm White/White/Cool White/Daylight White)
  10. Min. bent diameter: 120mm. Do not twist the light.
  11. Protection rate: IP68/IP65
  12. Protection rate for IP68: Protected against dust and submersion in water (1 meter above).
- NOTE: All connector joints must be connected correctly to achieve IP68 rating
13. Can be cut and extended
  14. Long lifetime: 5 years
  15. Working ambient temperature: -4°~113°F (-20°~45°C)
  16. Operating (bending) ambient temperature: 32°~113°F (0°~45°C)

#### ACCESSORIES (SOLD SEPARATELY)

##### IP68 Accessories Kit

###### Both Ends Connection Application Accessories Kit

01 Front Connector	1 pc
02 Front Connector	1 pc
Rubber Gasket	2 pcs
Aluminum Mounting Piece	2 pcs
Anti-skidding clip	2 pcs
Screws	8 pcs

###### Single End Connection Application Accessories Kit

###### Front Connector Accessories Kit

01 (or 02) Front Connector	1 pc
Rubber Gasket	1 pc
Aluminum Mounting Piece	1 pc
Anti-skidding Clip	1 pc
Screws	4 pcs

###### End Cap Accessories Kit

The Tail Plug	1pc
Aluminum Mounting Piece	1pc
Anti-skidding Clip	1pc
Rubber Gasket	1pc
Screws	4pcs

##### IP65 Accessories Kit

###### Both Ends Connection Application Accessories Kit

01 Front Connector	1 pc
02 Front Connector	1 pc
Cover	2 pcs
Anti-skidding clip	4 pcs
HST	2 pcs

Remark: HST--Heat Shrink Tube

###### Both Ends Connection Auxiliary Accessories Kit

Glue	1 pc
------	------

###### Single End Connection Application Accessories Kit

###### Front Connector Accessories Kit

01 (or 02) Front Connector	1 pc
Cover	1 pc
Anti-skidding clip	2 pcs
HST	1 pc

Remark: HST--Heat Shrink Tube

###### End Cap Accessories Kit

End Cap	1pc
Shading Sheat	1pc
HST	1pc

Remark: HST--Heat Shrink Tube

###### Single End Connection Auxiliary Accessories Kit

Glue	1 pc
------	------

#### WARNING AND CAUTION

##### WARNING

1. Before making any cuts, installation, maintenance or connection, be sure the mains is disconnected!
2. NOTE: ALL CONNECTOR JOINTS MUST BE CONNECTED CORRECTLY TO ACHIEVE IP68 RATING.
3. Please operate this flex light according to the instructions, and confirm the work voltage, it must be matched with product requirements.
4. Please confirm the polarity of connector before insertion front connection cable.
5. Connect and cut this product correctly. Any wrong operation will damage this product.
6. No pressing on this product during storage, long term pressing may lead to damage.
7. Using qualified DC power supply.
8. Min. bent diameter 120mm, see Fig.1.
9. Do not twist the light as Fig.2 and follow the correct bending direction as Fig.3.
10. Do not hang this light in the air as Fig.4.
11. Cutting at the wrong location will result in a failure of the light! See Fig.5.



#### CAUTION

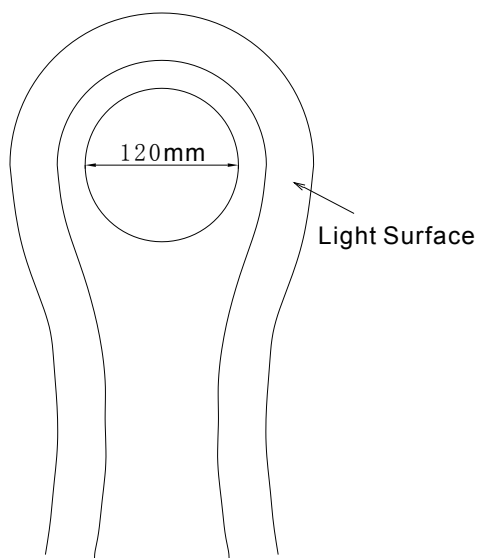
1. Suitable for mounting on normally flammable surfaces..
2. Use only factory-recommended connectors and accessories.
3. To ensure its long life span, operate the light properly in accordance with the instructions.
4. Do not operate in more than 113°F (45°C) ambient temperature.
5. Assemble the Connector correctly as in Fig.6.
6. Max. running length depends on the energizing way as Fig.7 shown.
7. Do not operate light when ambient temperature is below 32°F (0°C) thais may injure the light .

#### ASSEMBLY AND INSTALLATION

1. Turn off the electricity before operation.
2. Cut the light at correct location (if need).
3. Assemble the light according to Fig. 8, Fig. 9.
4. Install U channel and light according to Fig. 10.
5. Wire all connectors to the power line and check wiring of the whole circuit.  
Cable color coding basics Refer to Fig.11.

#### FIGURES

Fig. 1 Minimum bent diameter 120mm



Twisting the light is forbidden and observe to correct bending orientation

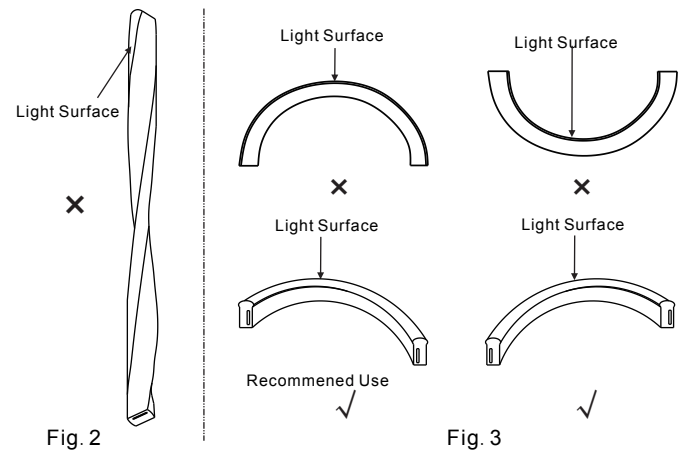


Fig. 4 Installation of the light hanging suspended in the air as the picture illustrates is forbidden.

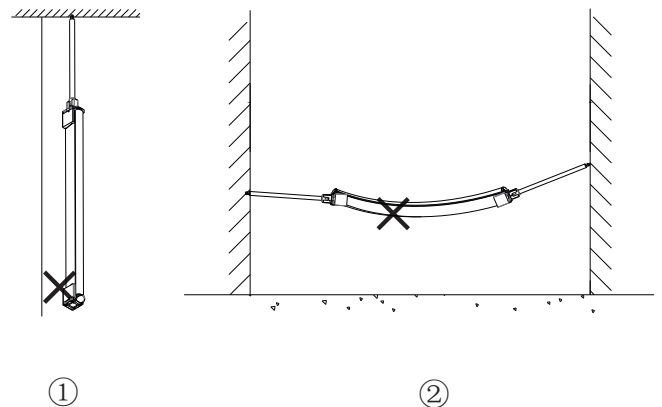


Fig. 5 Unit cutting guide

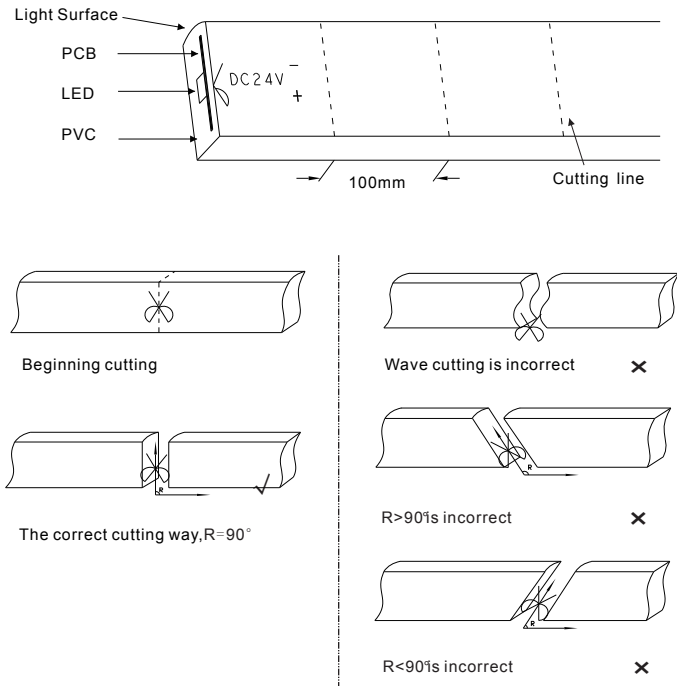
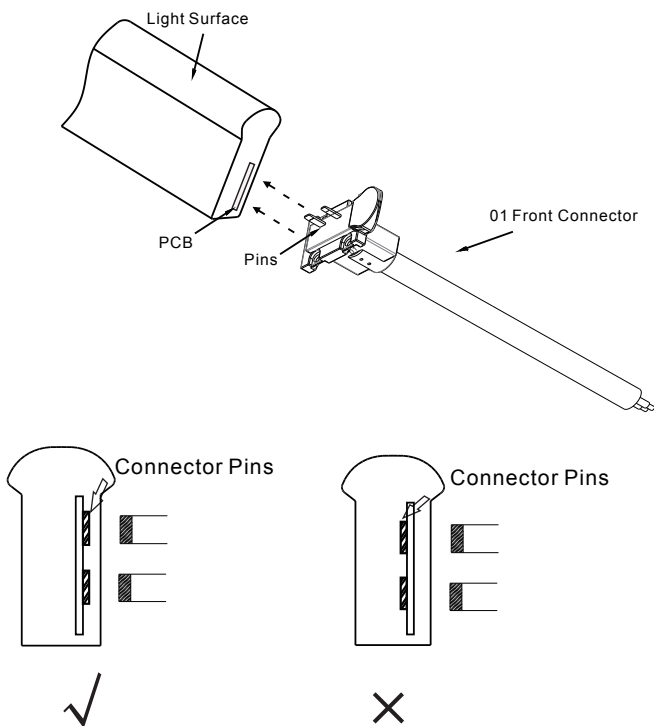


Fig.6 Correct insertion of connector pins

For 01 Type Front Connector



For 02 Type Front Connector

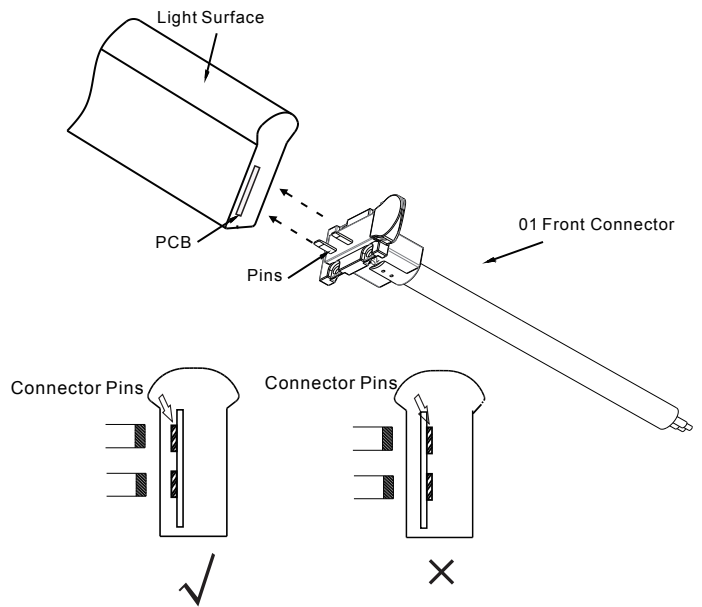
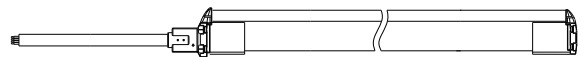


Fig.7 Energizing Method

- ① Single ends connection for Max. length 10m



- ② Both ends connection for Max. length 20m

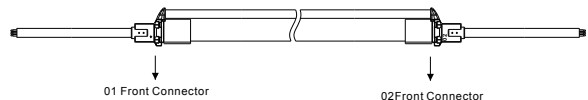
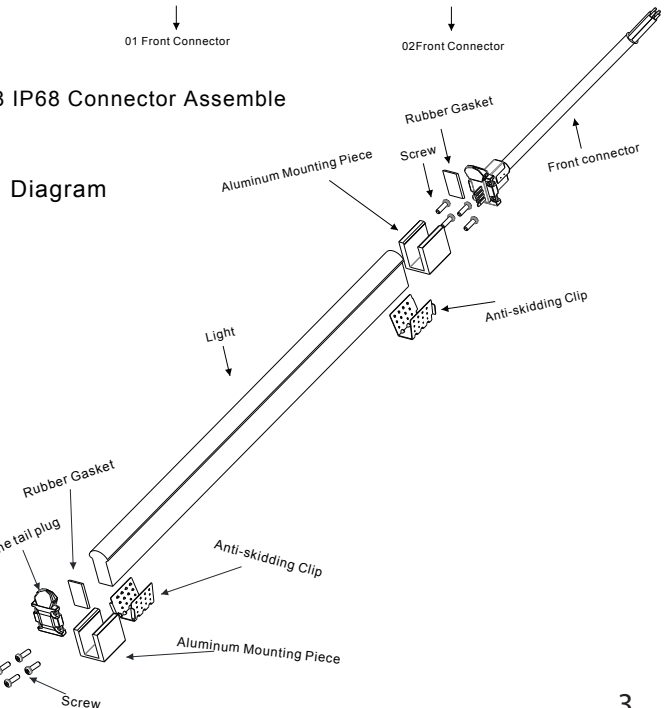


Fig. 8 IP68 Connector Assemble



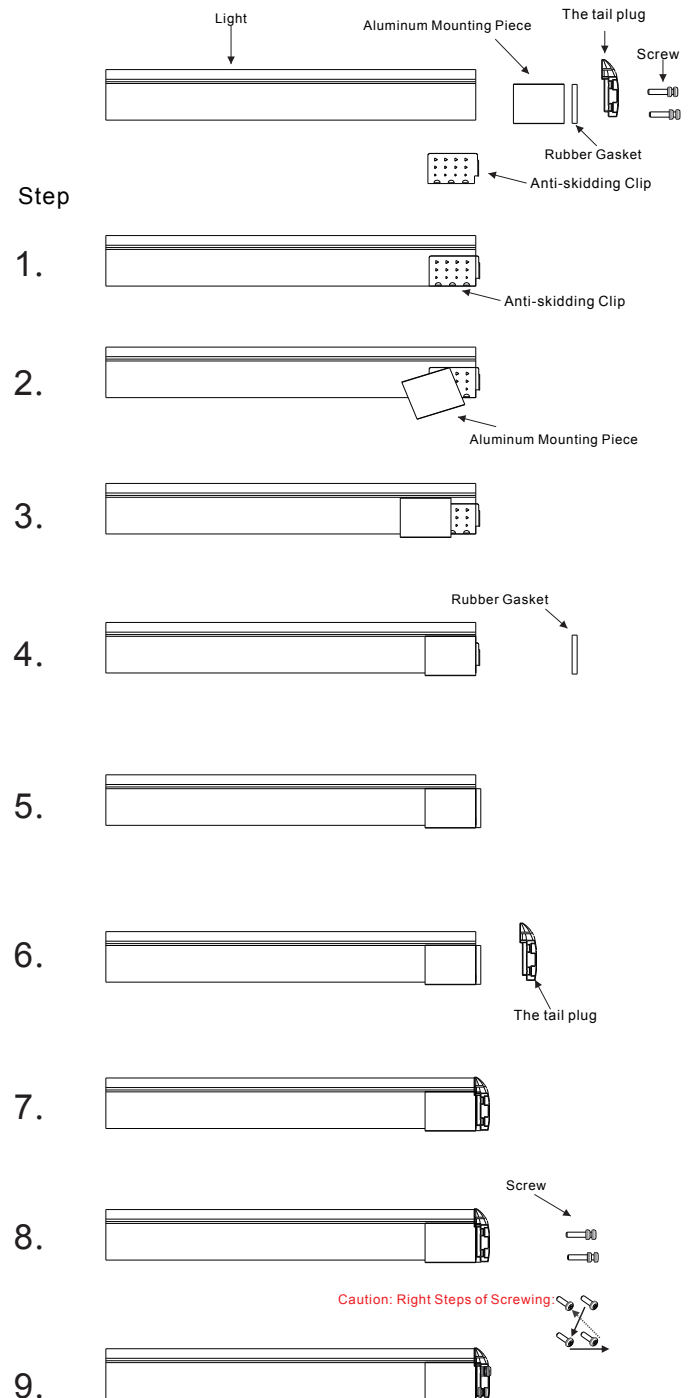
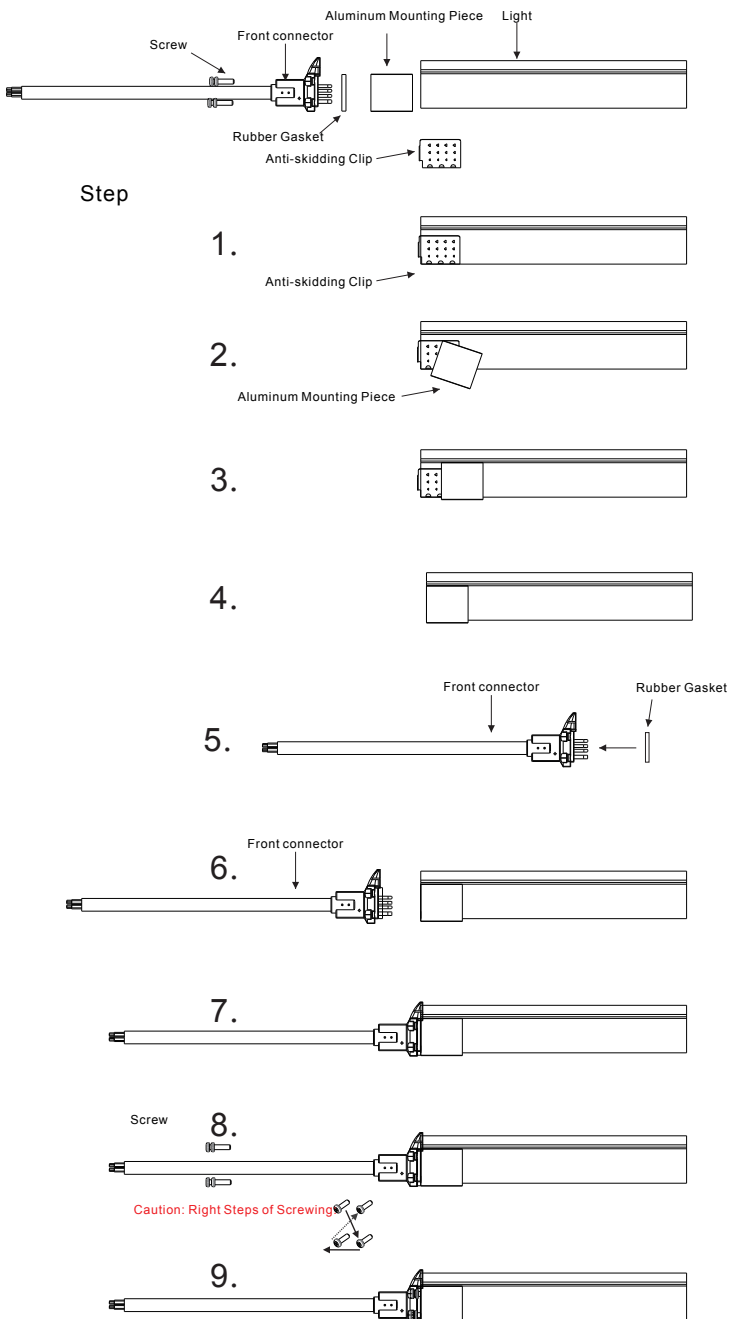


Fig. 9 IP65 Connector Assemble

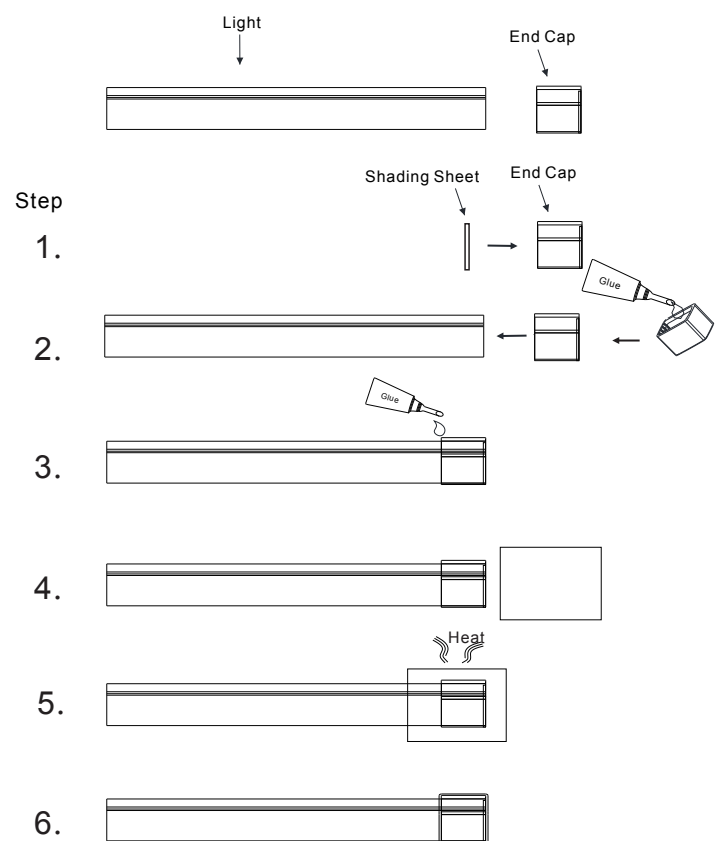
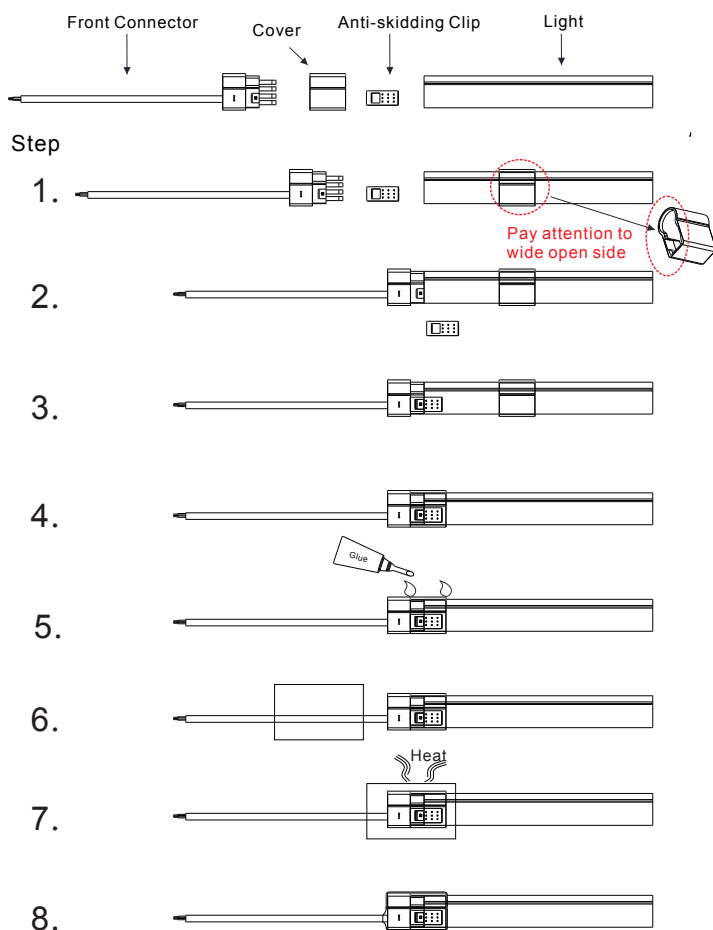
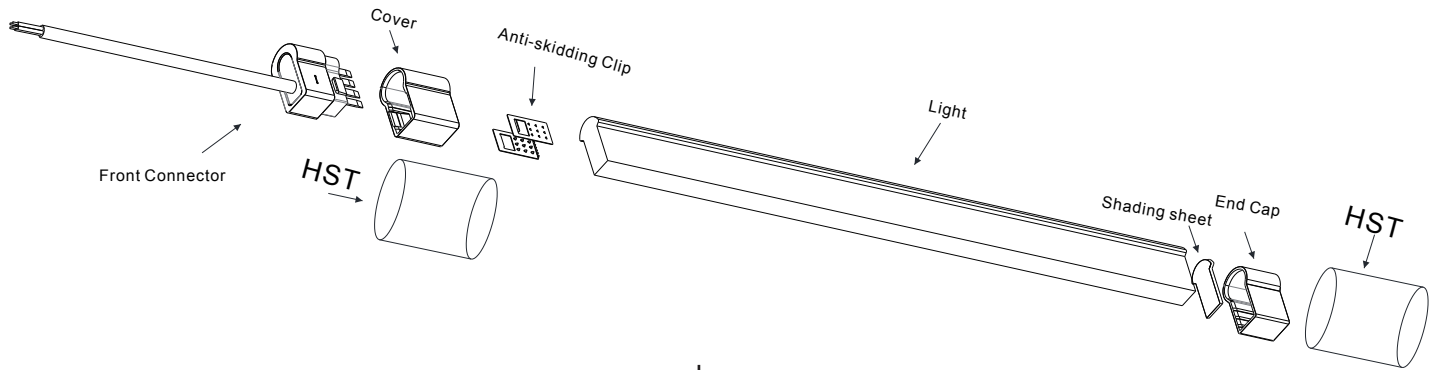
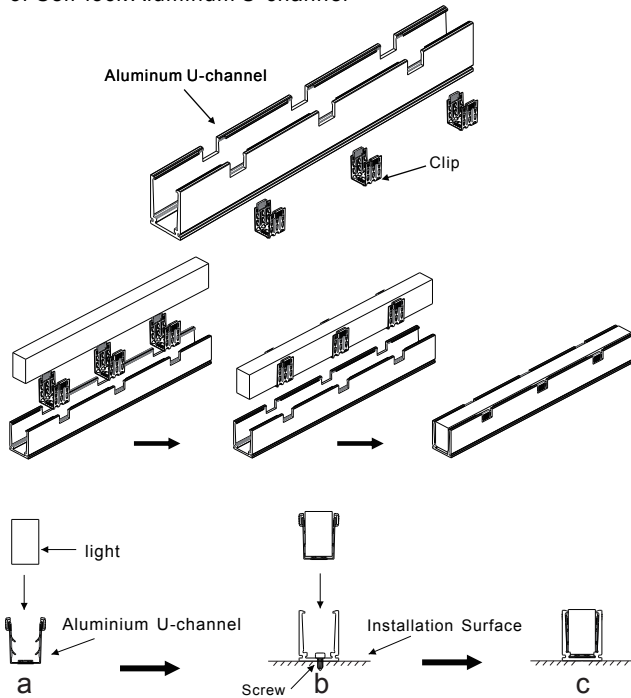


Fig. 10 Installation Guide

For Self-lock Aluminum U-channel



For Common Aluminum U-channel

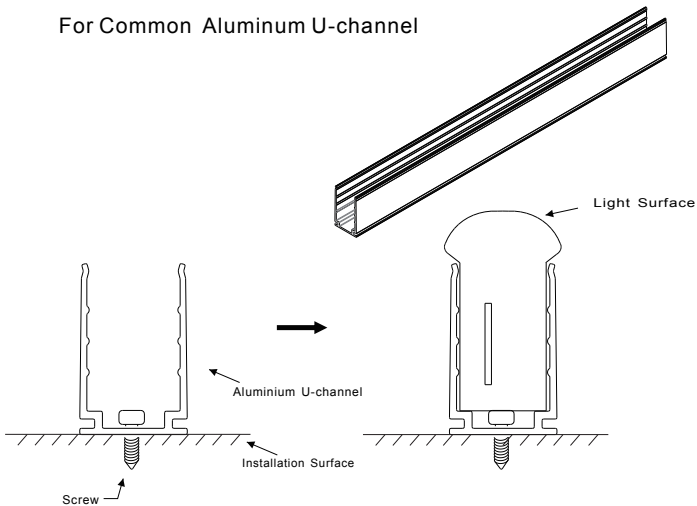
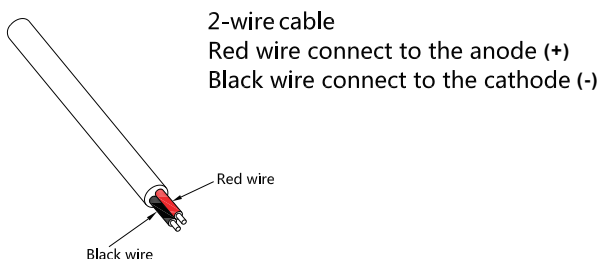


Fig. 11 Cable color coding basics



### ANSI STANDARD

Nominal CCT Categories

Nominal CCT	Target CCT and tolerance(K)	Target Duv and tolerance
2700K	2725 ± 145	0.000 ± 0.006
3000K	3045 ± 175	0.000 ± 0.006
3500K	3465 ± 245	0.000 ± 0.006
4000K	3985 ± 275	0.001 ± 0.006
4500K	4503 ± 243	0.001 ± 0.006
5000K	5028 ± 283	0.002 ± 0.006
5700K	5665 ± 355	0.002 ± 0.006
6500K	6530 ± 510	0.003 ± 0.006
Flexible CCT (2700-6500K)	$T^2 + \Delta T^2$	$D_{uv}T^2 \pm 0.006$

### Remarks:

- Six of the nominal CCTs correspond to those in the fluorescent lamp specification [2]: 2700K, 3000K (Warm White), 3500K (White), 4100K (Cool White), 5000K and 6500K (Daylight), respectively.
- T is chosen to be at 100K steps (2800, 2900, ..., 6400K), excluding those eight nominal CCTs listed in Table 1.
- $\Delta T$  is given by  $\Delta T = 0.0000108 \times T^2 + 0.0262 \times T + 8$ .
- Duv is given by  $D_{uv} = 57700 \times (1/T) - 244.6 \times (1/T) + 0.0085$

### GUARANTEE

- We provide lifelong technical assistance with this product: A 3 year warranty is given from the date of original purchase. The warranty is for free repair or replacement and covers manufacturing faults only. For faults beyond the 3 year warranty we reserve the right to charge for time and parts. Current technology will be selected first for repair or replacement.
- Warranty excludes below: Any man-made damages caused from improper operation, assembly, wiring, connection, installation, transport and storage. Improper input voltage, current, operating and working environment. The product appears to have excessive physical damage. Damage due to natural disasters and force majeure. Product label or data code have been damaged.
- Repair or replacement as provided under this warranty is the exclusive remedy to the customer. We shall not be liable for any incidental or consequential damages for breach of any stipulation in this warranty.
- Any amendment or adjustment to this warranty must be approved in writing by us only.
- This manual only applies to this model. We reserves the right to modify the manual and keep the right to make final edition of this manual.