



## Light Duty Commercial High Performance Energy Saver Gas Water Heater



Photo is of  
25X-78B-3N

### The LD Atmospheric Vent High Performance Series Models feature:

- **High Input Combustion System**—Generates enough hot water in the first hour for mop sinks, wash tubs and large wash sinks in addition to standard commercial duty.
- **Optimizer™ Temperature Control System**—Integrated mixing device features a thermostatically controlled mixing device that is pre-piped with a flexible connector. This required system is easily installed and designed for each specific water heater. The mixing device ensures a comfortable outlet temperature while providing a steady flow of hot water.
- **Alternate Temperature Water Outlet Kit**—3/4" NPT connections provide up to 180° F on hot water outlet side for high temperature applications. Not recommended for 180°F sanitizing.
- **Factory Installed Hydrojet 2™ Total Performance System**—Cold water inlet sediment reducing device helps prevent sediment build up in tank. Increases first hour delivery of hot water while minimizing temperature build up in tank.
- **Vitraglas® Lining**—Bradford White water heater tanks are protected from the corrosive effects of hot water by an exclusive ceramic porcelain-like coating. The Bradford White high silica Vitraglas® lining provides a tough interior surface for our hot water tanks.
- **Fully Automatic Controls**—Automatic temperature selection at your fingertips. Built-in energy cut-off switch prevents abnormally high water temperature for extra safety. Built-in gas pressure regulation.
- **Side Connections**—Side tappings allow easy connection for space heating applications.
- **Non-CFC Foam Insulation**—Energy saving insulation covers the sides and top of the tank, reducing the amount of heat loss while increasing jacket rigidity. 25X has 2" of insulation, 55X has 1" of insulation.
- **Water Connections**—3/4" NPT factory installed true dielectric fittings extend water heater life and eases installation.
- **Two Protective Magnesium Anode Rods**—Provide added protection against corrosion for long trouble-free service.
- **"Snap Lock" Draft Diverter.**
- **Helical Fin Flue**—Designed to maximize the amount of heat transferred to water decreasing recovery time. Minimizes air movement in the heater during standby periods to retard heat loss up the flue.
- **Steel Tank**—Heavy gauge steel automatically formed, rolled and welded to assure a continuous seam for glass lining.
- **T&P Relief Valve**—Installed.
- **Brass Drain Valve.**
- **Design Certified by CSA International (formerly AGA and CGA).**



### 3-Year Limited Tank Warranties / 1-Year Limited Warranty on Component Parts.

For more information on warranty, please visit [www.bradfordwhite.com](http://www.bradfordwhite.com)

For products installed in USA, Canada and Puerto Rico. Some states do not allow limitations on warranties. See complete copy of the warranty included with the heater.

Bradford White received the highest numerical score among water heater/boiler manufacturers in the proprietary J.D. Power and Associates/ McGraw-Hill Construction 2006 HVAC and Water Heater/Boiler Subcontractor Satisfaction Study™. Study based on 882 responses measuring 3 water heater/boiler manufacturers and measures opinions of subcontractors. Proprietary study results are based on experiences and perceptions of subcontractors surveyed in May through July 2006. Your experiences may vary. Visit [jdpower.com](http://jdpower.com)

MANUFACTURED UNDER ONE OR MORE OF THE FOLLOWING U.S. PATENTS: 7,063,133 B2; 5,954,492; 5,761,379; 5,943,984; 5,081,696; 5,988,117; 6,142,216; 5,199,385; 5,574,822; 5,372,185; 5,485,879; 5,277,171; (B1)5,341,770; 5,660,165; 5,596,952; 5,682,666; 4,904,428; 5,023,031; 5,000,893; 4,669,448; 4,829,983; 4,808,356; 5,115,767; 5,092,519; 5,052,346; 4,416,222; 4,628,184; 4,861,968; 4,672,919; Re. 34,534. OTHER U.S. AND FOREIGN PATENT APPLICATIONS PENDING. CURRENT CANADIAN PATENTS: 1,272,914; 1,280,043; 1,289,832; 2,045,862; 2,112,515; 2,108,186; 2,107,012; 2,092,105. Vitraglas® and Hydrojet® are registered trademarks of Bradford White® Corporation.

# Commercial Atmospheric Vent Gas Water Heater

## Light Duty High Performance Energy Saver Models

NATURAL GAS

Meet or exceed ASHRAE 90.1b (current standard) C.E.C. Listed  
82% Thermal Efficiency

Model Number	Capacity		Recovery at 100°F Rise*	Recovery at 140°F Rise*		A Floor to Flue Conn in.	B Jacket Dia. in.	C Vent Size in.	D Floor to T&P Conn. in.	E Floor to Gas Conn. in.	F Floor to Space Heating Return in.	G Floor to Space Heating Outlet in.	H Floor to Heater Top in.	I Floor to Alternate Temp. Water Outlet in.	J Floor to Water Conn. † in.	K Depth in.	Approx. Shipping Weight lbs.		
	U.S. Gal.	Imp. Gal.		Nat. U.S. GPH	Nat. Imp. GPH													Nat. U.S. GPH	Nat. Imp. GPH
25X-78B-3N	25	21	78,000	76	64	54	45	58 1/2	18	4	50	14 13/16	15 7/16	50	54 5/8	56 23/32	61 3/8	22	150
55X-80B-3N	55	46	80,000	78	65	55	46	59 9/8	22	4	50	14 13/16	15 7/16	50	56	58 3/16	62 13/16	26 1/4	200

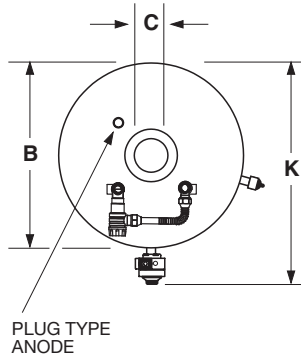
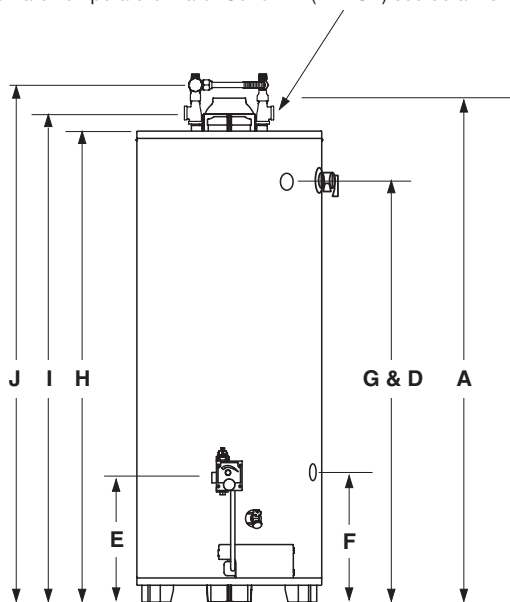
  

Model Number	Capacity		Recovery at 56°C Rise*	Recovery at 78°C Rise*		A Floor to Flue Conn mm.	B Jacket Dia. mm.	C Vent Size mm.	D Floor to T&P Conn. mm.	E Floor to Gas Conn. mm.	F Floor to Space Heating Return mm.	G Floor to Space Heating Outlet mm.	H Floor to Heater Top mm.	I Floor to Alternate Temp. Water Outlet mm.	J Floor to Water Conn. † mm.	K Depth mm.	Approx. Shipping Weight kg.
	Liters	Nat. kW Input		Nat. Liters/Hour	Nat. Liters/Hour												
25X-78B-3N	94	22.9	287	204	1486	457	102	1270	376	392	1270	1388	1426	1558	559	68	
55X-80B-3N	208	23.5	295	210	1514	559	102	1270	376	392	1270	1422	1477	1595	667	91	

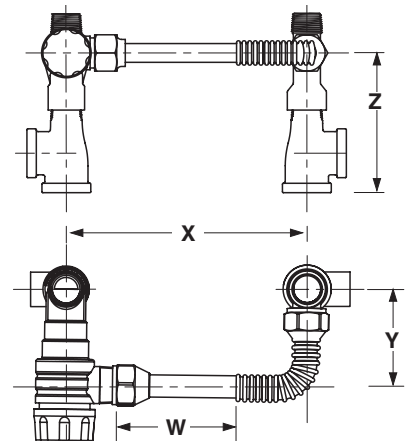
\*Based on manufacturers rated recovery efficiency.

†Dimension to top of installed mixing device.

Alternate Temperature Water Outlet Kit (ATWOK) see detail to right.



Integrated Mixing Device (ATWOK installation required for operation)



Model Number	W in.	X Distance Between Centers in.	Y Depth of Mixing Device in.	Z Height to Center of Pipe in.
25X-78B-3N	4	8	3 1/4	4 5/8
55X-80B-3N	4	8	3 1/4	4 5/8

### General

All gas water heaters are certified at 300 PSI test pressure (2068 kPa) and 150 PSI working pressure (1034 kPa). All water connections are 3/4" NPT (19mm) on 8" (203mm) centers, all gas connections are 1/2" (13mm).

All models design certified by CSA International (formerly AGA/CGA), ANSI standard Z-21.10.1 and/or 10.3 and peak performance rated.

**Dimensions and specifications subject to change without notice in accordance with our policy of continuous product improvement.**

**Suitable for Water (Potable) Heating and Space Heating.**

Toxic chemicals, such as those used for boiler treatment, shall NEVER be introduced into this system. This unit may NEVER be connected to any existing heating system or component(s) previously used with a non-potable water heating appliance.



For U.S. and Canada field service, contact your professional installer or local Bradford White sales representative.

Sales 800-523-2931 • Fax 215-641-1670 / Technical Support 800-334-3393 • Fax 269-795-1089 • Warranty 800-531-2111 • Fax 269-795-1089

International: Telephone 215-641-9400 • Telefax 215-641-9750 / [www.bradfordwhite.com](http://www.bradfordwhite.com)

**BRADFORD WHITE-CANADA** INC. Sales / Technical Support 866-690-0961 / 905-238-0100 • Fax 905-238-0105 / [www.bradfordwhite.com](http://www.bradfordwhite.com)

**Built to be the Best™**

©2007, Bradford White Corporation. All rights reserved.