

CARWASH

Steam generator for cleaning
and sanitizing the interior of vehicles

PATENTNBO2005A000507

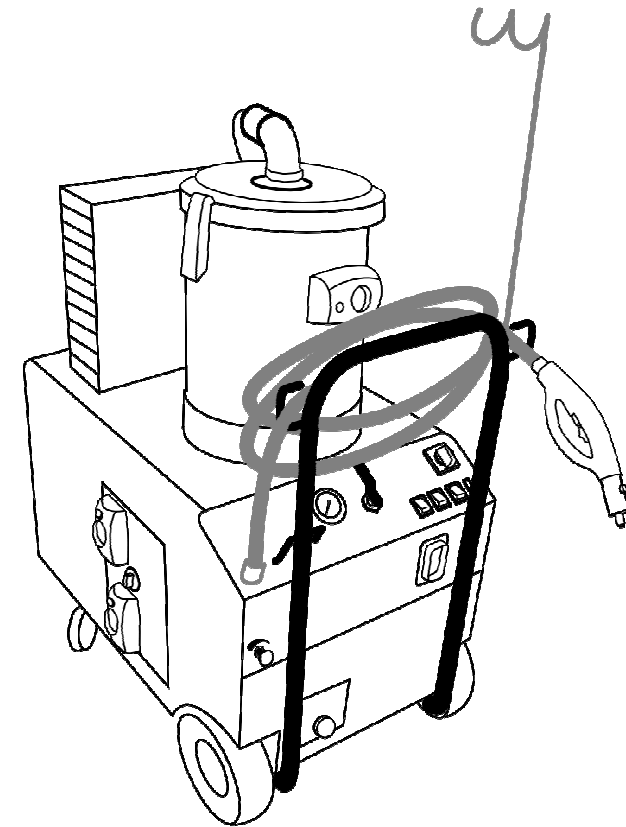


Bieffe Srl Via Levato 1/1-1/3 61100 Pesaro
Tel. 0039 0721281857 Fax 0039 0721281880
www.bieffeitalia.it info@bieffeitalia.it

We have been creating and manufacturing steam generators and ironing boards for more than 20 years.

We apply our knowledge and experience to several fields: sewing, household, catering, cosmetics, etc...

Mr. Farinelli thanks you



*Information, descriptions and illustrations contained in this manual are not binding.
BIEFFE maintains the right to introduce any necessary change. Sept. 2012*

*MADE IN ITALY: BIEFFE Company manufactures the whole range of its products
in Pesaro using components made in Italy as well as entirely recyclable materials.*

BEFORE USE

At delivery:

The machine CARWASH cod.BF310 is packed together with its standard accessories in a single carton box.

Upon receipt of the goods, check that the package is intact and not damaged. Verify that the product-label on the side of the box and the contents of the package correspond with the quality and quantity as indicated in the delivery note.

Package contents:

Machine body complete with trolley and basket (Pz.1)

Steel drum (Pz.1)

Cover steel drum complete with floating(Pz.1)

Standard accessories (Pz.14)

User's Manual (Pz.1)

In case of a mismatch, you must immediately inform Bieffe srl.

For any contact with Bieffe srl, with its service centers or dealers, please refer to the type of machine, serial number (eg Mod.CARWASH Cod.BF310 n.serial ...) applied to the back of the machine.

CAUTION

**DO NOT REMOVE SAFETY DEVICE AND PROTECTIVE COVER
BEFORE MAINTENANCE AND SERVICE MAKE SURE THAT APPLIANCE IS
UNPLUGGED FROM ELECTRIC OUTLET AND BOILER IS COOL AND NOT
UNDER PRESSURE**

CONSUMER NOTICE:

The BIEFFE product you have purchased is subject to Directive 2002/96/EC of the European Parliament and the Council of the European Union on waste electrical and electronic equipment (WEEE) and, in jurisdictions adopting that Directive, is marked as being put on the market after August 13, 2005, and should not be disposed of as unsorted municipal waste. Please utilize your local WEEE collection facilities in the disposition of this product and otherwise observe all applicable requirements.



OPERATING AND SAFETY INSTRUCTIONS

- After the removal of the package make sure of the appliance's integrity. In case of doubt do not operate the appliance but take it to a qualified service person for examination and repair. Plastic bags, polystyrene, etc..., must be kept out of the children's reach.
- Before connecting appliance, make sure that data on the plate are the same as the power supply network. The voltage appliance is of 230V monophasic with a plug of 16A+T.
- Plug appliance into grounded outlet of sufficient power as provided for by the safety regulations in force.
- Do not touch appliance with wet or damp hands.
- Always disconnect appliance from electrical outlet when not in use.
- This appliance is only and exclusively for its intended use so the manufacturer can not be held responsible for any probable damage due to an illegitimate use.
- Never unscrew the safety valve cap during use.
- Before cleaning and maintenance make sure that appliance is disconnected from outlet. Do not wash the appliance, do not immerse in water. Before filling the boiler, make sure that appliance is unplugged.
- In case of failure or operational defect, turn off appliance, disconnect from electrical outlet. Do not disassemble or attempt to repair the appliance. Incorrect re-assembly or repair could cause a risk of fire, electric shock, or injury to persons when the appliance is used. Any repair must be executed by qualified service persons authorized by the manufacturer. Ask for exclusive use of original spare-parts.
- Installation must be executed according to manufacturer's instructions (space for ventilation, room temperature).
- Do not operate appliance with damaged cord or hose, but let it made replaced.
- Turn off the two boiler switches, and unplug the boiler when finished operating. It is not necessary to empty the boiler of remaining water. it is important to unscrew for only 1 turn the safety cap to let the boiler depressurize.
- Do not remove safety device and protective cover.
- Do not service while appliance operates.
- Before servicing make sure that appliance is unplugged from electrical outlet.
- The non-observance of the above OPERATING AND SAFETY INSTRUCTIONS could prejudice safety.

Have a good job.

MACHINE DETAILS

Features:

Continuous steam

Hot water 40°

Hot air 70°

Hot air seats to 50°

Automatic recharge

Ozonization

Protective equipment:

Non-return valve applied to the output of the steam outlet.

Protective guard on the safety cap.

2 thermostats and 1 pressurestat for the safety of the boiler.

Safety thermostat of hot air.

Protection thermostat pump.

Floating protection of vacuum motor.

Audible signal for low water.

TECHNICAL DATA

Power	230/220V 50/60 Hz (only for BF310 and BF310Z) 380V 50/60 Hz (only for BF310PL and BF310PLZ)
Boiler	3lt
Boiler power	1000W+1000W+1000W
Pressure switch	5BAR
Vacuum power	1400W
Hot air power	1400W
Fusto inox	20LT
Water tanks	10LT+10LT
Ozonization	(only for BF310Z and BF310PLZ)
Weight	55KG
Carton box dimensions	83x59xh95cm

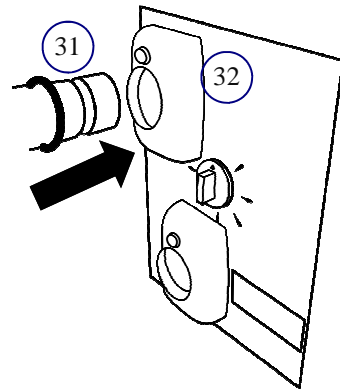
TROUBLESHOOTING

For any different anomaly not included in the enclosed list, get in touch with the after-sale service centre.

ANOMALY	CAUSE	ACTION
No steam comes from the steam gun (13)	The safety tap (13) is closed	Turn the tap to open position
	No pressure in the boiler	Wait for the gauge to at least 4BAR
	the steam valve in the handle is broken	Get in touch with a customer service center
No steam comes from the gun Pratika CVK21	No pressure in the boiler	Wait for the gauge to at least 4BAR
	the steam valve in the handle is broken	Get in touch with a customer service center
From the steam gun (13) steam is released without pressing the button	the steam valve in the handle is broken	Close the safety tap (14) and get in touch with a customer service center
The vacuum engine changes noise or begins to vibrate	Water in stainless steel (1) exceeds the maximum level	Turn off the machine and empty the steel drum (1)
No water flows from the drain valve under the car.	The tap is blocked by limestone	Insert a screwdriver into the tap to free it from impurities
Leaks in the spine steam / water (9)	Water/steam inlet badly inserted	Place and lock the steam/water inlet
	O-ring seals consumed	Replace the O-ring
Activating the switch (16) on the gun, the engine vacuum will not turn on	Water/steam inlet badly inserted	Place and lock the steam/water inlet
No hot air comes out	thermostat is out of work	Get in touch with a customer service center

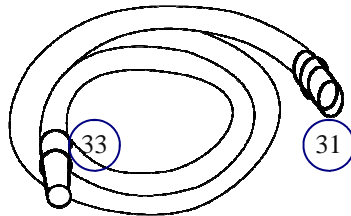
INSTRUCTIONS: DRY SEAT

- Cover the seat with the seat dry bag CVK32.
- Insert the inlet (31) of the flex hose hot air CVK10, in the hot air outlet (32).
- Turn the power switch (22) to position "1".
- Insert the terminal (33) in the bag CVK32.
- Turn on the switch (28) to operate the hot air, or turn on the switch (15) on the Pratika handle CVK21.

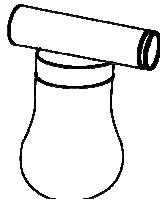


INSTRUCTIONS: DETERGENT NEBULIZATION WITH HOT AIR

- The detergent nebulization with hot air is the best way to cleanse the tissues before being washed with hot water and steam.
- Insert the inlet (31) of the flex hose hot air CVK10, in the hot air outlet (32).
- Turn the power switch (22) to position "1".
- Fill the air nebulizer CVK53 with a detergent solution.
- Insert the terminal (33) in the air nebulizer CVK53 .
- Turn on the switch (28) to operate the hot air, or turn on the switch (15) on the Pratika handle CVK21.
- Allow the cleaning agent to work on the fabrics before washing with hot water and steam.



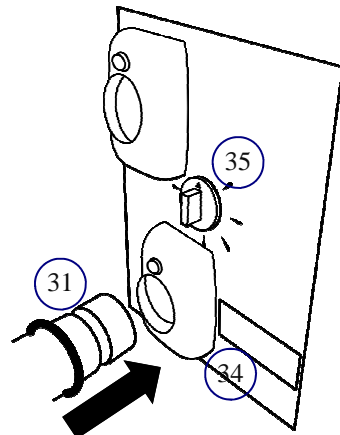
Cod.CVK10
Flex hose for hot air
3,5mt



Cod.CVK53
Air nebulizer

INSTRUCTIONS: OZONATION

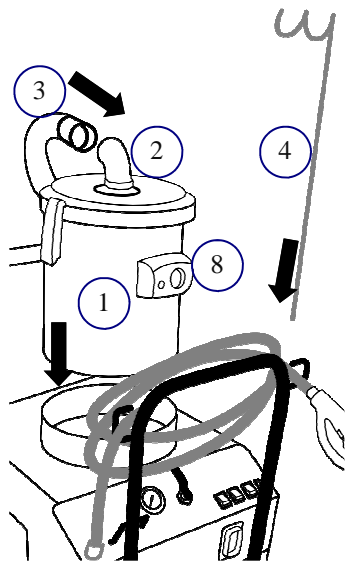
- Insert the inlet (31) of the flex hose hot air CVK10, in the ozone outlet (34).
- Turn the power switch (22) to position "1".
- Insert the terminal (33) inside the car.
- Turn the timer ozone (35) depending on the size of the car.



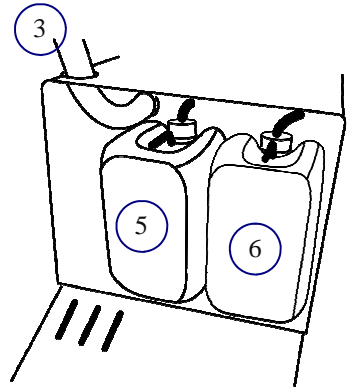
STANDARD ACCESSORIES



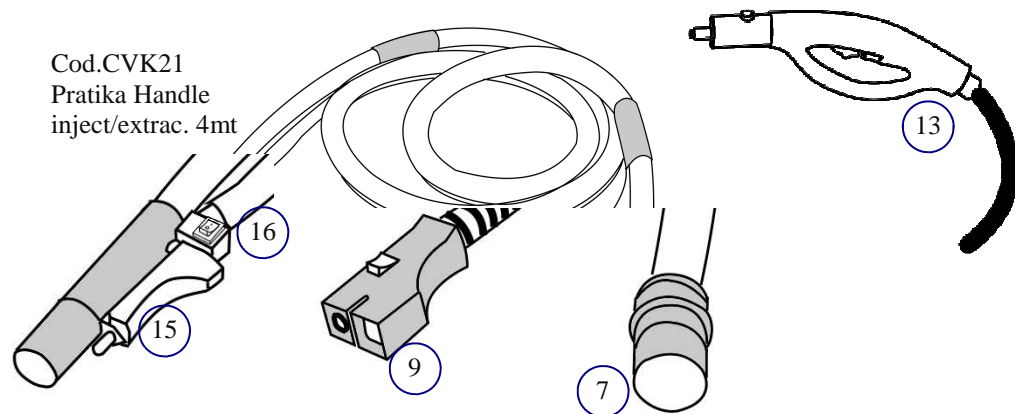
SETTING UP



- Place the steel drum (1) in its housing on the machine. Close the steel drum with the cover floatholder (2), lock the cover with the two hooks.
- Insert the vacuum hose (3) into the cover (2). Insert the gun support (4) in its housing on the handle.
- Open the door on the back of the machine. Fill the tanks (5) and (6) of water. **WARNING: DO NOT USE DISTILLED WATER.** The WATER SENSORS DO NOT WORK with water free of minerals. Make sure that the charging hoses are in their tanks in contact with water. Close the door. If one of the tanks is empty or one of the tubes is not in contact with water, the machine does not work.



- Connect the injection/extraction Pratika handle cod.CVK21 to the machine. Insert the vacuum inlet (7) to the vacuum outlet (8). Insert the steam/water inlet (9) to the steam/water outlet (10).
- Before plugging into ground outlet make sure that the draining tap (11) and the safety cap (21) are closed and all switches are off. The general switch (22) must be set on "0".
- Connect the power cord (12) to an electrical outlet.



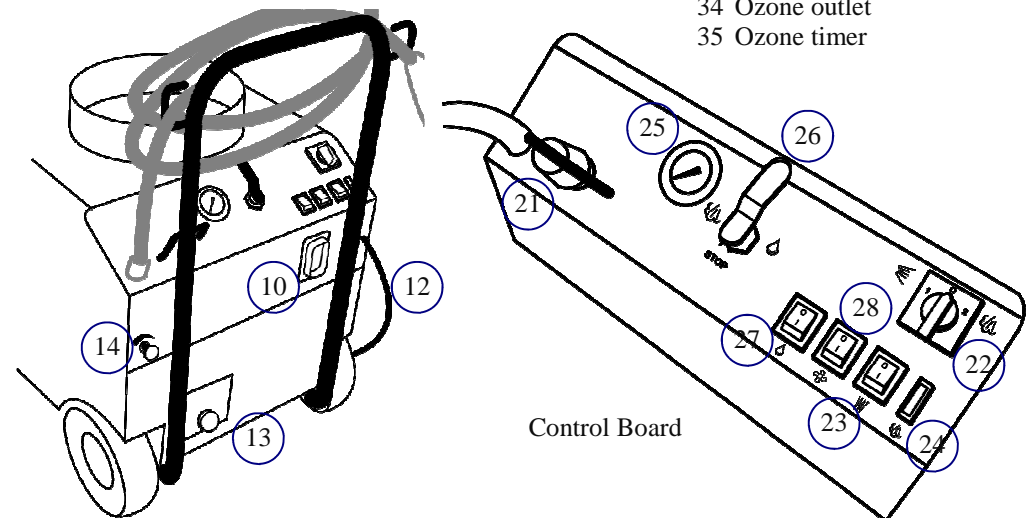
Cod.CVK21
Pratika Handle
inject/extrac. 4mt

INSTRUCTIONS: INJECTION/EXTRACTION

- Turn the power switch (22) the "2". If the boiler is empty a pump starts to load the boiler with water from the tank (5).
- When the boiler is full and the pump does not work, you can turn on the second heater switch (23) to get a better and long lasting steam performance. **DO NOT RUN THE SECOND resistance when the boiler is not FULL.**
- Wait until the steam ready lamp (24) is active and/or the pressure gauge (25) reaches 4 ATM. to start working.
- To get steam with the steam gun (13), check that the tap (14) is open. Press the button on the gun.
- To get steam with the Pratika Handle turn the lever (26) left to the "steam" position and press the lever (15).
- To dispense hot water with the tube Pratika turn the lever (26) right to the "hot", turn on the switch (27) on the control panel and press the lever (15).
- On Pratika handle press the switch (16) to operate the exhauster.
- For a good job you should loosen the dirt with steam and hot water. Then suck the debris. All the dirt will go into the steel drum.

Legenda

- 1 Steel drum
- 2 Cover floatholder
- 3 Vacuum hose
- 4 Gun support
- 5 Boiler tank
- 6 Hot water tank
- 7 Vacuum inlet
- 8 Vacuum outlet
- 9 Steam/water inlet
- 10 Steam/water outlet
- 11 Draining tap
- 12 Power cord
- 13 Steam gun
- 14 Steam gun tap
- 15 Steam/water lever
- 16 Vacuum switch
- 21 Safety cap
- 22 General power switch
- 23 II heater switch
- 24 Steam ready lamp
- 25 Pressure gauge
- 26 Steam/water lever
- 27 Water switch
- 28 Vacuum switch
- 31 Flex hose inlet
- 32 Hot air outlet
- 33 Flex hose terminal
- 34 Ozone outlet
- 35 Ozone timer



Control Board