

**GSM/GPS**  
**SMS/GPRS Car Tracking Alarm**

**CAT-6**

**USER MANUAL**

**Ver: 1.22**

# CONTENTS

Ver: CAT6:HW-V1.3 SW-V1.22 EN

INTRODUCTION-----	2
Functions and Features-----	2
Technical Specification-----	2
Safety Instructions-----	3
INSTALLATION-----	3
Accessories-----	3
Installation Process-----	4
Instructions Before Use-----	7
OPERATIONS-----	7
SMS OPERATIONS-----	7
1. SMS Setup-----	7
2. Basic Operations-----	8
3. Query-----	11
VOICE OPERATIONS-----	13
ALERT MANAGEMENT-----	14
1. Alert type-----	14
2. Alert Report Mode -----	14
3. Alert Report-----	14
4. Alert Management-----	15
Appendix-----	15
1.Problems Solutions-----	15
2.User Operation Command-----	15
3. Remote Control RF code Setup-----	16

# INTRODUCTION

## Functions and Features

**Application:** to protect all type of cars, trucks, taxi, jeeps as well as other automobiles.

### Locating and tracking

- ◆ Dual location:  
locate your vehicle through both GPS positioning and GSM base station
- ◆ Query locating information by SMS/telephone.
- ◆ Real-time or pre-set time tracking by SMS/GPRS;
- ◆ Global Track Web-based center and stand-alone monitoring software with Google-earth or Google-Map support.

### Anti-theft functions:

- ◆ Door open/ Acc on/car vibration/car moving /power down Alert
- ◆ Alert report to the preset phone by auto-dial and SMS.
- ◆ Remote stop engine by phone/SMS

### Anti-robbery functions

- ◆ Emergency Alert(SOS) button built-in
- ◆ Remote monitoring the sound in the car

### Simple operation

- ◆ Configured by SMS and USB software.
- ◆ Voice system(Local language support) and SMS remote-operation, status query.
- ◆ Remote start engine by phone/SMS
- ◆ Remote start air-condition by phone/SMS
- ◆ Remote arm(lock)/unarm(unlock)  
Locking door and closing windows automatically when Arming / Unlock when disarming
- ◆ Choose between unlock or dis-unlock door when ACC switches off.

### Other useful functions

- ◆ With backup battery: after Power off Alert, it will supply power for device.
- ◆ Auto-arming function: choose on/off.
- ◆ Shock sensor sensitivity adjustment available
- ◆ Lights flash and sound reminder

## Technical Specification

- > GSM Work Frequency: 850(Optional) /900 /1800 /1900MHz
- > GPS(SiRFstarIII chipset) : Frequency: L1, 1575.42 MHz.  
Minimum signal tracked: -159dBm
- > Temperature: Working Temp -20°C ~ +60°C
- > Humidity: 20—95%
- > GSM Antenna Cable type: Gain:3dBi cable-length:3-5meters connector :SMA  
Portable antenna: Gain:2dBi height: 5cm connector: SMA
- > GPS Antenna: Voltage:3V cable-length: 3-5 meters connector: SMA

- > Remote control: Working frequency: 315Hz/433MHz.  
Code: 1527/2240 study  
Working Voltage: 12V ( 27A 12V dry battery)  
Control Distance: 20-100M
- > Mainframe Power supply: 12 or 24V DC (different model)
- > Backup battery: Poly-Li battery, 600mAh 3.7V
- > Mainframe Dimension: 125x108x26mm

### Safety Instructions

- > Please do not use the device in the areas where wireless device uses are prohibited.
- > Please use the accessories in the package, such as the antennas and relay.
- > Please install the system by professional.

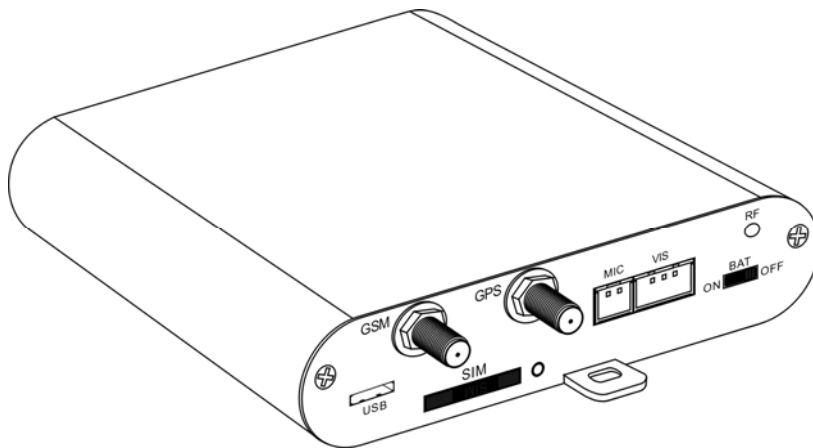
## INSTALLATION

### Accessories

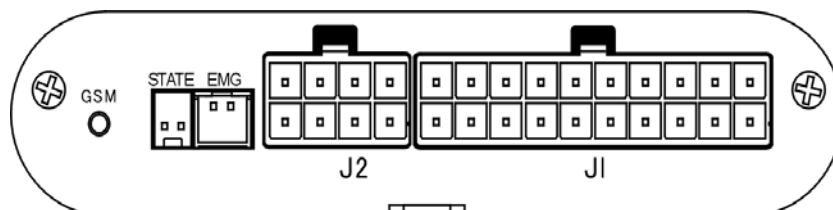
User necessities

1. 1-3 mobile phones (Note: with SMS functions.)
2. A valid GSM SIM card for the devices (with Caller ID & SMS functions and enough balance)

### 1. Main Unit



**SIM:** SIM Card Slot    **GSM:** GSM Antenna    **GPS:** GPS Antenna    **RF:** RF-Antenna    **MIC:** Monitor  
**VIS:** Vibration Sensor VIS:    **BAT(ON/OFF):** Backup Battery Switch    **USB:** Testing and setting-up port



**GSM:** GSM State    **STATE:** LED Light    **EMG:** SOS Button    **J2:** 8Pin data wire socket    **J1:** 20Pin Connection wire socket

**2. Remote control :** Maximum 3pcs

- '🔒' Armed/lock door/ close window, when arming the fore-lights flash and siren rings once.
- '🔓' Unarm/ unlock; cancel alert, stop the siren ringing.  
when disarming the fore-lights flash and siren rings twice;  
if arming by 📴 silent arming key, the siren will not ring.
- '🔇' Silent arm key. Press it, the device switches into armed mode without siren ringing.  
On silent arm mode, if the alert is triggered, the siren will not ring.
- '👁️' Search for the car: activate car lights and siren to search for car. the siren will ring for 3 beeps.

**3. GSM antenna**



**4. GPS antenna**



**5. Vibration sensor**  
(adjustable sensitivity)



**6. Microphone (Monitor)**



**7. Siren**



**8. 20 PIN connection wire**



**9. LED indicator**



**10. Stop Relay(314-B-12-s)**



**11. SOS button**



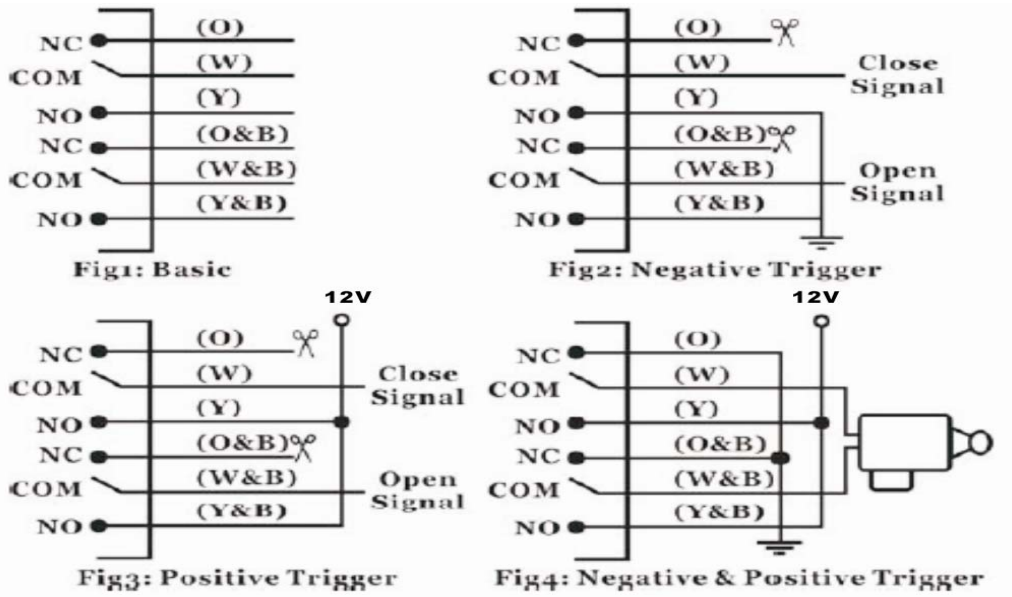
**12. Remote-start wires(3relays+ 8pin)**



**Installation Process**

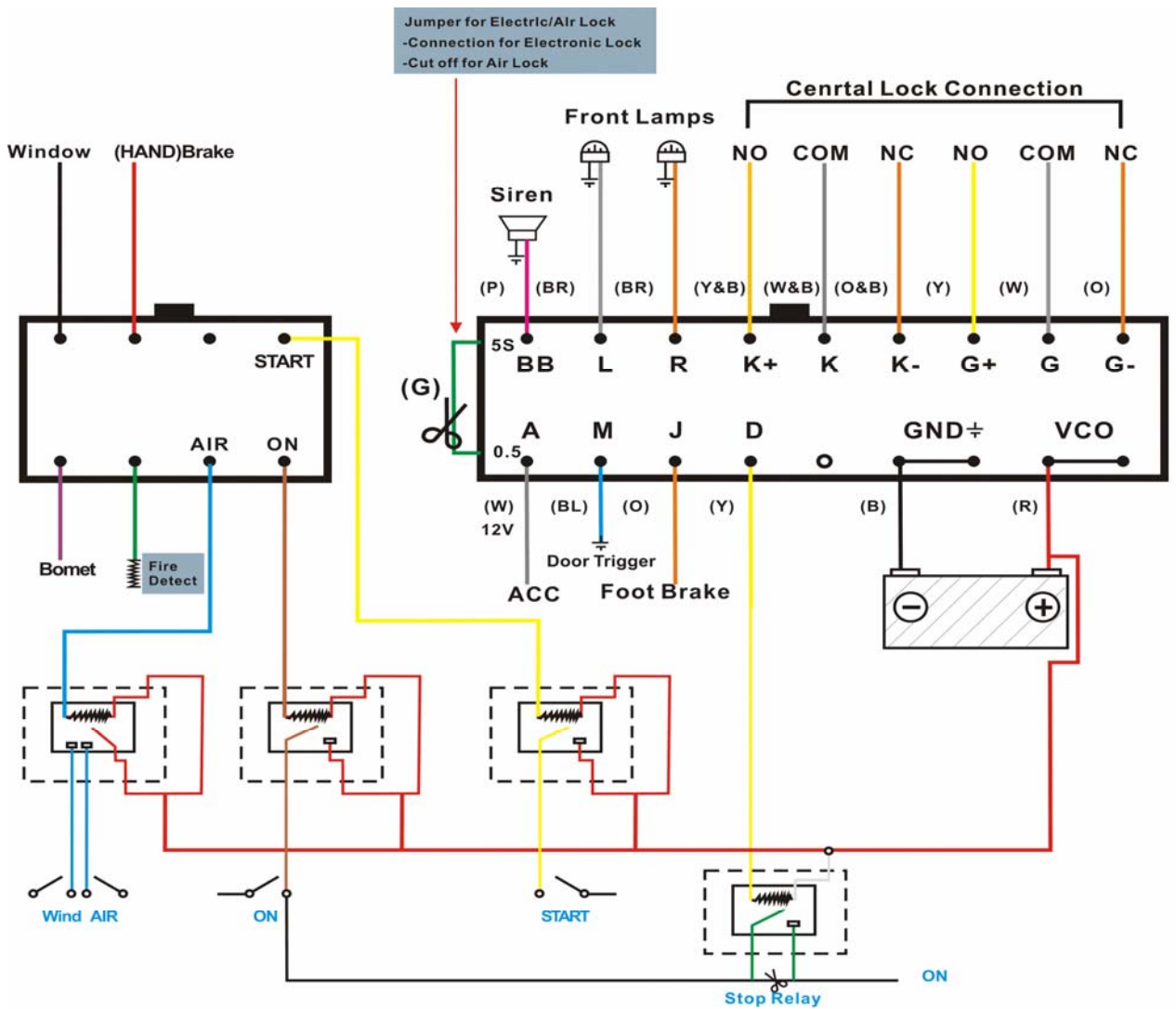
**1. Central lock to 20 PIN connection wire**

1.1 Choose different installation according to different car central locks



## 1.2 Wires Connection

### (1) 20+8 PIN



(B): Black (BL): Blue (BR): Brown (O): Orange  
 (P): Pink (R): Red (W): White (Y): Yellow

- ① G +/- ,K +/- ----Central lock: (Max: 6PIN)
- ② R,L ( 1PIN each ) ---Left/Right front lamps wires
- ③ BB ---Siren
- ④ VCO and GND --- Power supply
- ⑤ Green wire---- (spare)
- ⑥ D---The yellow wire of stop Relay(314-B-12-S)

Connect the white wire to 12V power supply.

Two green wires: Cut-off Start wire and fuel wire and connect them in.

**Note:** Three connection mode :( after sending "stop")

- 1. Into start line: after turning off engine, can't start again.
- 2. Into ON line: engine turning off right-away
- 3. Into OIL line: engine turning off after 1-3mins.

- ⑦ J---Foot brake wire
- ⑧ M---Door trigger wire
- ⑨ A---ACC

## (2) Start-Relays wires connection( for remote-start engine and air-condition only )

- ① Relay 1(314-A-12-S) Brown wire-----ON line of the switch
- ② Relay 2 (314-A-12-S) Yellow wire-----Start line of the switch
- ③ Relay 3 (314-U-12-S) Blue wires-----one to air-condition switch; one to wind switch.
- ④ Red wire-----VCC (Battery)

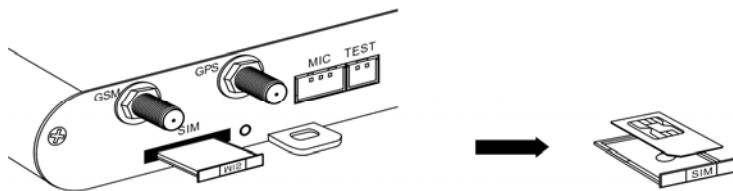
## (3) 8PIN (J2) Contrlling wires:

- ① Black wire-----connect to: window up trigger
- ② Purple wire-----connect to: bonnet open trigger
- ③ Red wire-----connect to: Handbrake detecting
- ④ Green wire -----connect to: ignition coil detect: from one of motor-start lines.

**Note:** Ignaiton coil detect: >>one of the ignition cables will be circled around 18-22 laps with a electrical wire;  
>> fixed the wire well, and then connect the wire to the Green wire.

- ⑤ Blue wire----- --Air-condition contril line
- ⑥ Yellow wire----- Engine start line
- ⑦ Brown wire-----ON switch line
- ⑧ White wire----- spare

## 2. SIM Card Installation



### 3. GSM----GSM Antenna Installation

### 4. GPS---- GPS Antenna Installation

### 5. MIC----- Microphone installation

### 6. EMG---- Connect SOS button wire

### 7. VIS----- Connect Vibrator sensor

### 8. STATE---Connect the LED wire

### 9. Plug the 20PIN into J1, the "WORK" light starts flashing.

### 10. Slide the battery switch to be "ON".

### 11. Check all the wires to be connected well, and the light works status. then fix them firmly.

## Instructions Before Use

1. After installation and power on, the system shows the following status:

GSM LED: Flashing slowly indicate the GSM works normally .

Flashing quickly indicate the GSM register unsuccessfully.

Status LED: Flashing slowly (0.8secs) indicate armed status.

LED off: indicate unarmed status.

Flashing quickly (0.2secs): when downloading via USB port.

2. Factory default:

Recipient:	Non
User Password(UPWD):	1234
Status:	unarmed
Time Zone:	+/-0000
Shake Alert:	On
Auto-arm:	On
Unlock when ACC switching off :	On
Move Alert:	Move000 Off
Over Speed Alert:	SPD000 Off

3. Battery: Auto-charging when it connects to power

4. GSM/GPS ant: locate the antennas in suitable area to get signal well.

## OPERATIONS

### SMS OPERATIONS

SMS format: \*[User Password]\*[Command]#

**Note:** > User Password is 4 digits or letters in SMS  
> The user Password below is abbreviated to: UPWD  
> Sending commands by any mobile phone via UPWD

### 1. Set up

#### 1.1 Set up recipient A, B and C

Send: \*UPWD\*AXXXXXXXXX\*BXXXXXXXXXX\*CXXXXXXXXXX#

Reply: Armed/Unarmed;A:XXXXXX B:XXXXXC:XXXXXXX

**Modify or Cancel Recipients:** re-set with new Recipient numbers.

**Note:** ① A,B,C indicates the recipients A,B,C.  
xxxxx...indicates the recipients mobile phone number. Max: 20 digits.

② “+country code” should be added when SMS format requires  
SMS Format: + Country Code + mobile phone number.

③ Recipient number shows blank if you do not set up it.

**Exp:** Recipient A,C setup: \*1234 \*A+8613666504824\*B\*C+8613666502528 #  
(+86 refers to China code; 136xxxxxrefers to Recipients mobile number)



## 1.2 Set up Time-zone

Send the SMS to the device: \*UPWD \* GMT+/-xxxx#

Setup OK, the reply SMS: GMT+/-xxxx SETUP OK !

**Note:** '+' is east zone; '-' is west zone

**Exp:** East 8 zone(GMT+08:00), the SMS is \*1234\*GMT+0800#

West 3:30 zone(GMT-3:30), the SMS is \*1111\* GMT-0330#

## 2. Basic Operations

**2.1 Arm the system:** locking door and closing windows automatically when arming the system.

### A: Armed by remote-controller:

> Press '🔑' key on the remote control, the siren sounds once.

> Press '🔒' key, the device turns into armed Mode. Siren turns off.

**B: Auto-Armed:** On unarmed status, if the door closed and ACC is off in 25 seconds, and auto-arm function on, the device will switch to armed mode automatically.

Auto-arm function can be On/Off by SMS.

#### Auto-arm on:

Send the SMS: \*UPWD\* Aon #

SMS replies: Auto-arm on!

**Note:** 1. On unarmed mode, if someone in the car with the door closed and ACC off, the system will auto-arm.

2. When auto-arm is valid, the vehicle accidental auto-armed at some place of poor GSM signal, you may not open the door via SMS or phone voice.

#### Auto-arm off:

Send the SMS: \*UPWD\* Aoff #

SMS replies: Auto-arm off !

### C. Armed by SMS:

Send: \*UPWD\*S#

Reply: Armed;ACC:on/off;Door:close/open;Power:on/off; LAC:XXXXX;CID:XXXXX;  
Time:xx-xx-xx xx:xx:xxSpeed:xxxkm/h;S/N:xxdxxmxxs W/E:xxdxxmxxs

### D. Armed by Voice Operations: (Please refer to the **voice operations**)

**Note:** >> If door is opened, the system **can be** armed; then "Door open alert" will be triggered.

>> The doors are auto-locked when arming the system.

>> On armed status, the engine can not be started.

## 2.2 Disarm the Device: [unlocking door when disarming](#)

**A. Disarmed by remote-controller:** Press '🔑' key on the remote control. After disarming the device, the siren sounds twice.

### B. SMS disarmed:

Send: \*UPWD\*C#

Reply: Unrmed;ACC:on/off;Door:close/open;Power:on/off; LAC:XXXXX;CID:XXXXX;  
Time:xx-xx-xx xx:xx:xxSpeed:xxxkm/h;S/N:xxdxxmxxs W/E:xxdxxmxxs

## C. Disarm by Voice Operations( refer to part **Voice operations**)

**Note:** >On Unarmed Mode, if door is open, the R/L lights flashes periodically.

### 2.3 Modify Password

#### A. By SMS:

Send the SMS : **\*UPWD\* EXXXX#**

Successfully, replies : **Password has been changed!**

**Note:** >> XXXX refers new user password. It is constituted by 4 ASCII codes.

>> Factory default: 1234.

#### B. By Voice Operations: (Please refer to: 'Voice Operations')

### 2.4 Shake Alert ON/OFF

#### Switch Off:

Send the SMS to the device: **\*UPWD\*N#**

Successfully, Reply: **Shake alert off!**

#### Switch On:

Send the SMS to the device: **\*UPWD\*H#**

Successfully, Reply: **Shake alert on!**

### 2.5 Unlock On/Off:

In **unlock on** state, when ACC is switched off, the door of the vehicle auto-unlock;

In **unlock off** state, when ACC is switched off, the door of the vehicle doesn't unlock.

#### Off:

Send the SMS to the device: **\*UPWD\*UL0#**

Set up successfully, it replies: **Auto unlock door off !**

#### On:

Send the SMS to the device: **\*UPWD\*UL1#**

Set up successfully, it replies: **Auto unlock door on !**

### 2.6 Immobilize / Relieve(Re-energize)

#### 2.6.1 STOP the car after sending command

##### A. Immobilize the car by SMS: valid after 20secs R-L lights flashing and siren-ringing prompt.

Send the SMS in emergency: **\*UPWD\*STOP#**

Set up successfully, it replies: **Engine will be turned off!**

**Note:** > After sending "stop" command, the R-L lights flash and siren rings for 20secs, then the car is stopped.

> To restart your engine, you will have to relieve by SMS or phone voice.

##### B. Immobilize by phone : ( refer to **Voice Operations** )

Stop the car after 20secs siren-light alert.

## 2.6.2 Delay to stop the car by SMS

sending SMS: \*UPWD\*STOPD#

successfully, it replies: Engine will be turned off!

**Note:** >> When the command is sent, the car will not stop immediately; it will stop after engine off, and engine can not be restarted again.

>> To restart your engine, you will have to send Re-energize command to relive the device.

## 2.6.3 Re-energize By SMS:

A. Send the SMS to the device: \*UPWD\*K#

Set up successfully, it replies: Relieve 'STOP' & Unarmed!

B. Re-energize (Relieve) By phone: (refer to Voice Operations)

## 2.7 Move Alert on/off

Move Alert: On armed Mode, if the car moves over a certain range, the device will send a 'Move alert' SMS to the recipients.

**On:**

Send the SMS to the device: \*UPWD \*MOVExxx#

SMS reply: MOVExxx Alert On !

**Note:** xxx : 300~999.(unit: meter ) It indicates that the alert range is a circle, the center of which is the parking position and the radius of the range is xxx meter.

**Off:**

Send the SMS to the device: \*UPWD \*MOVE000#

Set up successfully, SMS reply: MOVE Alert Off !

## 2.8 Over Speed Alert On/Off

Over speed Alert: when this function is on, if the car drives over the pre-setting limit speed, alert SMS will be sent to recipient A.

**On:**

Send the SMS to the device: \*UPWD \*SPDxxx,ss#

Set up successfully, SMS reply: Over SPDxxx,ss alert on!

**Note:** >> xxx: 020~999 (unit: Km/H), Min speed is 20Km/H; Max speed is 999 Km/H.

If xxx is less than 020, "Over speed Alert" will not be triggered.

>> ss: 01~99 ( unit: min ) , indicates the interval of speed detecting.

**Off:**

Send the SMS to the device: \*UPWD \*SPD000#

Set up successfully, SMS reply: Over SPD alert off !

## 2.9 Remote-Start/Turn off Engine: (for Recipient A only)

A. By SMS:

**On:** Send: \*UPWD\*engine start xx#

Reply: Armed/Unarmed; the engine will shut down after xx minutes

**Note:** >>XX is the time of engine on. The value : 10,20,30mins  
>> During engine on, the driver start the engine by key, the time invalid.  
>> when engine on the **shake alert** is switched off

**Off:** Send: [\\*UPWD\\*engine off#](#)  
Reply: [Armed/Unarmed; the engine shut down!](#)

**Note:** >> When engine off, if the car with unlock function when ACC off, the door is unlocked.  
>> When engine off, the air-condition will be off.

#### **B. By phone :**(Please refer to 'Voice Operations) phone voice reply to A

**Start successfully:** [the engine has been turned on!](#)

**Remote-start fail:** [engine start fail](#)

**Turn off engine successfully:** [the engine has been turned off .](#)

### **2.10 Remote-Start / Turn off air-condition and wind (for Recipient A only)**

#### **A. By SMS:**

**On:** Send: [\\*UPWD\\*air start xx#](#)  
Reply: [Armed/Unarmed; the air-condition will shut down after XX minutes](#)

**Note:** >> when air-conditon on the shake alert is switched off

**Off:** Send: [\\*UPWD\\*air off#](#)  
Reply: [Armed/Unarmed; the air condition shut down!](#)

#### **B. By phone :**(Please refer to 'Voice Operations' ) phone voice reply to A:

**Start successfully:** [the air-condition has been turned on.](#)

**Remote-start fail:** [engine start fail](#)

**Turn off air-conditin successfully:** [the air-condition has been turned off.](#)

**Note:** By operation of 'turn off air-conditin', the engine will not be turn off.

### **2.11 Resume to Factory Default :** (refer to factory default )

#### **A. By SMS:**

Send: [\\*UPWD\\*V#](#)  
Reply: [Factory Default Restored!](#)

#### **B. By phone :**(Please refer to 'Voice Operations')

### **2.12 Search for car**

**A.** Press '🔔' key on the remote controller. the siren will ring over 5 seconds.

**B.** By SMS: Send the SMS to the device: [\\*UPWD\\*T#](#)

**Note:** After sending the command, the device will not reply SMS to you, the siren will ring and your car lights will flash for seconds.

## 2.13 Wrong Message

- ◆ the password is wrong, the device will send the prompt SMS:  
[Key incorrect, please confirm!](#)
- ◆ In case the password is right but command format invalid, you will receive the prompt SMS:  
[Invalid command, please confirm!](#)

## 3. Query

### 3.1 Recipients Query

SMS: [\\*UPWD\\*Y#](#)\_\_\_\_\_

Reply: [Armed/Unarmed;A:XXXXXXXXB:XXXXXXXXC:XXXXXXXX](#)

### 3.2 Status Query

#### A. By SMS:

- GPS is available, reply SMS

SMS: [\\*UPWD\\*X#](#)

Reply: [Armed/UnArmed;ACC:on/off;Door:close/open;Power:on/off; LAC:XXXXX;CID:XXXXX;  
Time:xx-xx-xx xx:xx:xxSpeed:xxxkm/h;S/N:xxdxxmxxs W/E:xxdxxmxxs](#)

- GPS fails to position, reply:

[Armed/UnArmed;ACC:on/off;Door:close/open;Power:on/off; LAC:XXXXX;CID:XXXXX;  
NO GPS](#)

#### B. Query by voice operations:(Please refer to 'Voice Operations')

The voice information: Power on/off; Alarm/Unarmed; ACC On/Off ; Door open/close; GPS state.

### 3.3 GPS Data Query

#### A. GPS Data Query: (Format: Degree/ Minute/Second)

Send the SMS: [\\*UPWD\\*GPSM#](#)

SMS reply: [Time:xx-xx-xx xx:xx:xx Speed:xxxkm/h S/N:xxdxxmxxs W/E:xxdxxmxxs](#)

#### B. GPS Data Query: (Format: Degree)

Send the SMS: [\\*UPWD\\*GPSD#](#)

SMS reply: [Time:xx-xx-xx xx:xx:xx Speed:xxxkm/h S/N:+/-xx.xxxx W/E:+/-xxx.xxxx](#)

#### C. GPS Data Query: (GPS Standard Format)

Send the SMS: [\\*UPWD\\*GPS#](#)

SMS reply: [\\$GPRMCxxxxxxx](#)

#### D. GPS Data with Google link Query

Send the SMS: [\\*UPWD\\*GPSW#](#)

SMS reply: [http://maps.google.com/maps?f=q&hl=en&q=\(-\)xx.xxxxx,\(-\)xxx.xxxxx  
&ie=UTF8&z=16&iwloc=addr&om=1](http://maps.google.com/maps?f=q&hl=en&q=(-)xx.xxxxx,(-)xxx.xxxxx&ie=UTF8&z=16&iwloc=addr&om=1)

#### E. GPS fails to locate, replies query by the last valid GPS data.

SMS reply: [NO GPS!Time:xx-xx-xx xx:xx:xx Speed:xxxkm/h S/N:+/-xx.xxxx W/E:+/-xxx.xxxx](#)

## 4. Other Functions

### 4.1 Restart the device:


Press and hold  key on the remote control for 20 seconds to restart the system.

### 4.2 Lock/unlock door

>> ACC off: arm to lock the door / disarm to unlock

>> ACC on: apply the footbrake to lock the door(s)

Press the arm  key to lock the door(s)

Press the disarm  key to unlock the door(s)

>> When ACC switching off: can choose Auto-unlock or not.

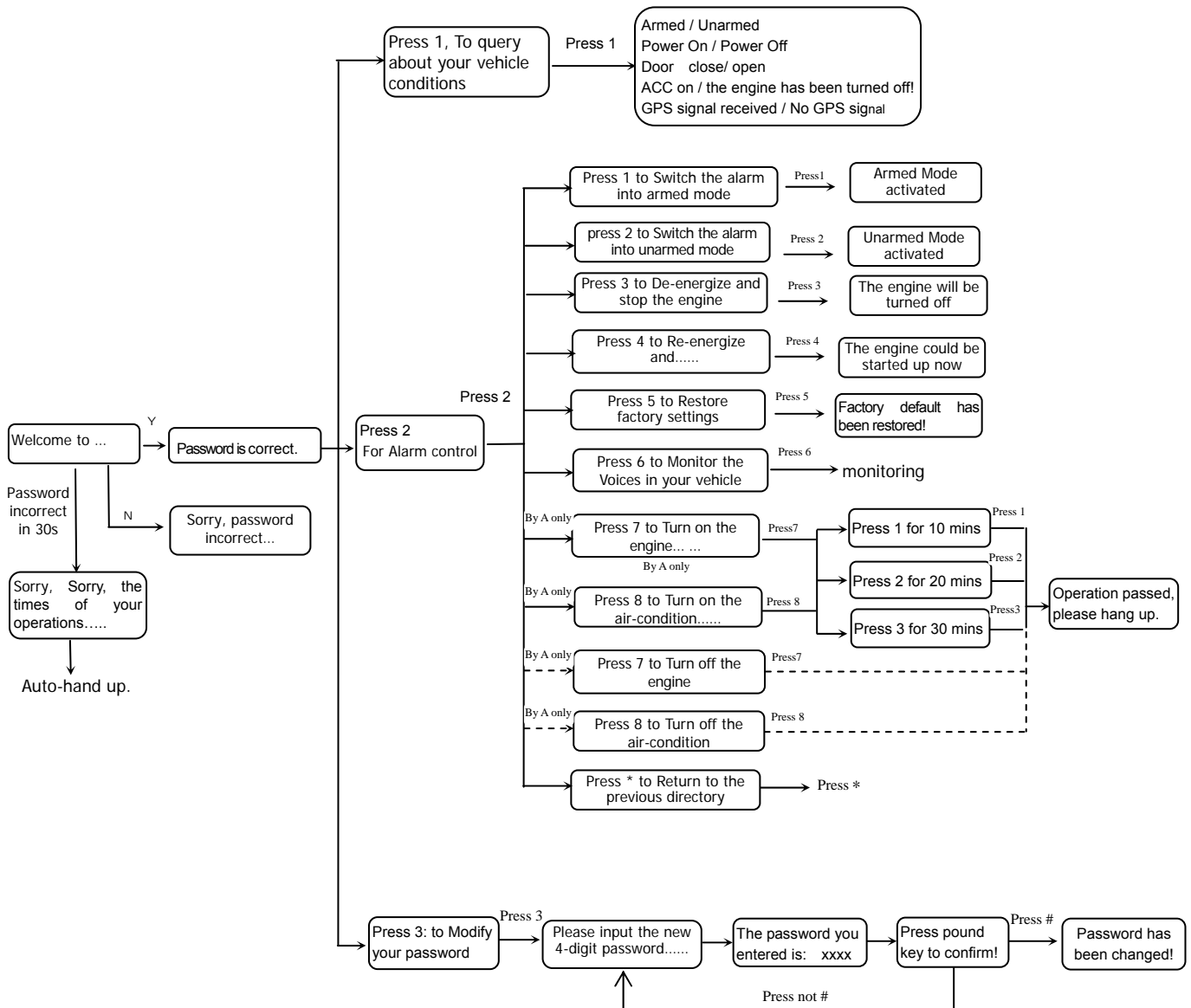
### 4.3 On armed state, the engine **can not be** started.

### 4.4 When the car door is opened, the R/L lights will flash 30 secs to prompt.

## VOICE OPERATIONS

Dial to the device, after 4 rings, you can operate according to the voice prompt.

( **Note:** The PASSWORD is the same as UPWD )



## ALERT MANAGEMENT

### 1. Alert type

Armed mode: Shake Alert  
Door –open Alert  
Bonnet open Alert  
ACC-On Alert  
Power-Off Alert  
Move alert

When driving: over-speed alert.

Armed/Unarmed mode: Highjack Alert (SOS)

### 2. Alert Report Mode

**Spot response:** The GSM LED starts flashing rapidly to indicate alerts.  
The car light will be glint and the siren will ring.

**SMS report:** Recipients will receive alert SMS.

**Voice report:** The device will auto-call the recipient A to report alert.

**Monitoring:** recipients hold on the alert call, then press “#” key of the recipient mobil-phone to monitor the state in the car.

### 3. Alert Report

#### 3.1 Shake Alert:

On Armed Mode, if the car vibrates, there will active Shake Alert. Recipient A will receive SMS, car lights will be glint and the siren will ring to scare at each vibration.

Spot : Armed Mode: voice for 2secs and light flash 3 times

Mute Armed: light caution

SMS to A: [Shake Alert !](#)

**Note:** > Continuous vibrates send alert 30s each time.

> The sensitivity of the vibration sensor could be adjusted.

#### 3.2 Door-open Alert:

On Armed Mode, if the door is opened, the Alert will be activated.

Spot : Siren and light caution 5~6secs.

SMS to A,B,C : [Door-open Alert !](#)

Phone to A: [Door-open Alert !](#)

#### 3.3 Bonnet open Alert

On Armed Mode, if the bonnet is opened, the Alert will be activated.

Spot : Siren and light caution 5~6secs.

SMS to A,B,C : [Bonnet open Alert!](#)

Phone to A: [Bonnet open Alert!](#)

#### 3.4 ACC On Alert:

On Armed Mode, if the ACC is turned on, the Alert will be activated.

Spot : Siren and light caution 5~6secs.

SMS to A,B,C : [ACC on Alert !](#)

Phone to A: [ACC on Alert !](#)

### 3.5 Power-off Alert:

SMS to A,B,C : [Power-off Alert !](#)

Phone to A: [Power-Off Alert !](#)

### 3.6 Hijack Alert (SOS)

In emergency situation, by pressing the hidden SOS button easily, the SOS alert is sent directly to the recipients.

SMS to A, B, C: [Highjack Alert!](#)

Phone to B,C: [Highjack Alert!](#)

### 3.7 Move Alert:

On Armed Mode, when someone moves the vehicle away from parking position and exceeds setting range:

SMS to A,B,C: [Move Alert!](#)

Phone to A: [Move Alert!](#)

### 3.8 Over speed Alert:

In the process of driving, if the speed is over the pre-setting limit. Over-speed alert will be triggered

Alert SMS to Recipient A: [Over speed Alert;](#)

## 4. Alert Management

**4.1 Interrupt Alert:** Press  key on the remote controller to cancel alert or remove the trigger.

**4.2 Monitor Alarm:** In Alert status, after the device sends alert SMS to recipients, it will call automatically to recipients, hold on and press “#” to monitor the voice in car.

**4.3 Immobilize car remotely:** When the burglar drives your vehicle away, stop the vehicle by SMS or phone.

## APPENDIX

### 1. PROBLEMS AND SOLUTIONS

PROBLEMS	Cause	SOLUTIONS
Remotes are locked or don't work	the 27A battery and code	> Replace with new battery > Re-code the remote.
Password lost		>Get from the Carrier
SIM card can not be accessed to network:	> No balance in SIM card. > Install unsuccessfully >Confirm GSM network frequency .	>Install SIMcard well > Keep balance
Weak GSM signal		> Increase sensitivity of antennas >Check the GSM antenna connection. > Put it at suitable position
No GPS signal	> location and weather	>Check your antenna connection. > Put it at suitable position
No SMS received	> Network is busy (especially when GPRS is orking). > SMS is delayed	
Alert is not reported	>Confirm the power supply(12/24V) of the vehicle >Temperature is too low	>The device and power must be matching > Work Temp over -20°C

### 2. Main SMS Operation Command



Function	Command	Reply
Recipient A.B.C	*PWD*AxxxxxxxxxBxxxxxxxxxCxxxxxxxx#	Armed( UnArmed);A:xxxxxxxxB:xxxxxxxxC:xxxxxxxx
Time Zone	*UPWD * GMT+/--xxxx#	GMT+/--xxxx SETUP OK !
New PWD	*UPWD*Exxxx#	Password has been changed!
Armed	*UPWD*S#	Armed;Engine:on/off;Door:close/open;
Unarmed	*UPWD*C#	Unarmed;Engine:on/off;Door: close/open;
Shake alert on/off	ON: *UPWD*H# OFF: *UPWD*N#	Shake alert on! / Shake alert off !
Unlock On / Off	ON: *UPWD*UL1# OFF: *UPWD*UL0#	Auto unlock door on ! / Auto unlock door off !
Auto-arm On / Off	*UPWD*AON# / *UPWD*AOFF#	Auto-arm on ! / Auto-arm off !
STOP	*UPWD *stop#	Engine will be turned off !
Relieve STOP	*UPWD *k#	Relieve 'STOP' & Unarmed!
Remote-engine on	*UPWD*engine start xx#	the engine will shut down after xx minutes
Remote-engine off	*UPWD*engine off#	the engine shut down!
Remote-air on	*UPWD*air start xx#	the air-condition will shut down after XX minutes
Remote-air off	*UPWD*air off#	the air-condition shut down!
Factory Setup	*UPWD*V#	Factory Default Restored!
Recipients Query	*UPWD*Y#	Armed(UnArmed);A:xxxxxB:xxxxxC:xxxx
Car status Query	*UPWD*X#	Cut-off /Armed/UnArmed;Engine:on/off;Door:close/open;
GPS data Query	*UPWD*GPS#	LAC:xxxx;CID:xxxx; \$GPRMCxxxxxxxx
	*UPWD*GPSD#	Time:xx-xx-xx xx:xx:xx Speed:xxxkm/h S/N:xx.xxx W/E:xxx.xxx /NO GPS
	*UPWD*GPSM#	Time:xx-xx-xx xx:xx:xx Speed:xxxkm/h S/N:xxdxxmxxs W/E:xxdxxmxxs/ NO GPS
	*UPWD*GPSW#	<a href="http://maps.google.com/maps?f=q&amp;hl=en&amp;q=(-)xx.xxxxx,(-)xxx.xxxxx&amp;ie=UTF8&amp;z=16&amp;iwloc=addr&amp;om=1">http://maps.google.com/maps?f=q&amp;hl=en&amp;q=(-)xx.xxxxx,(-)xxx.xxxxx&amp;ie=UTF8&amp;z=16&amp;iwloc=addr&amp;om=1</a>
Shake alert		SMS to A: <b>Shake Alert!</b>
Door Open alert		SMS to:A.B.C and Phone call A : <b>Door open Alert!</b>
Bonnet open alert		SMS to:A.B.C and Phone call A : <b>Bonnet open Alert!</b>
Engine On alert		SMS to:A.B.C and Phone call A : <b>Engine on Alert!</b>
Power Off alert		SMS to:A.B.C and Phone call A: <b>Power Off Alert!</b>
Highjack Alert		SMS to:A, B.C and Phone call B,C: <b>Highjack Alert!</b>
MOVE Alert		SMS to:A, B.C and Phone call A : <b>MOVE Alert</b>
Over SPD Alert		SMS to A: <b>Over speed Alert</b>

### 3. Remote Control RF code Setup

