



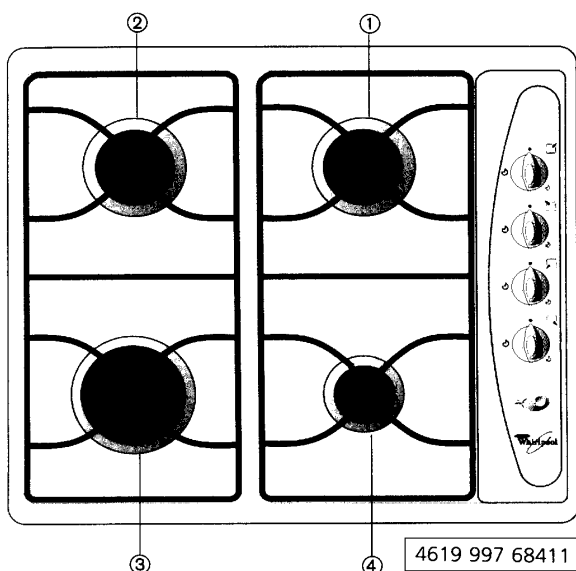
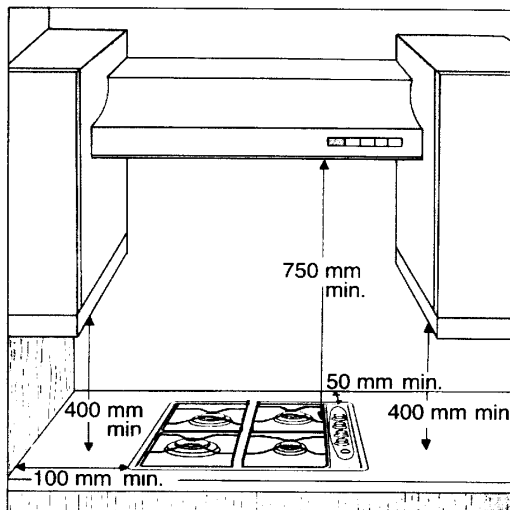
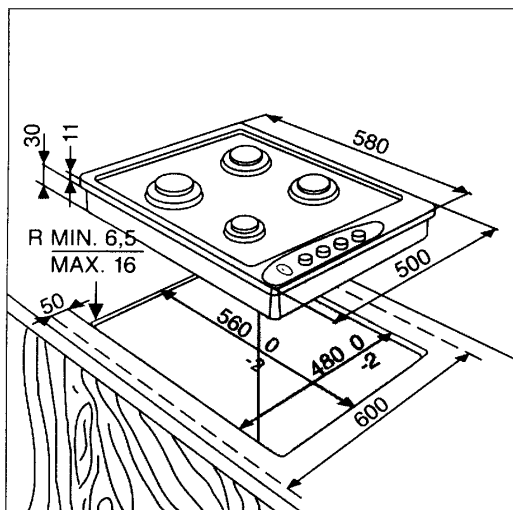
Service Manual

Gas hob

AKM 250/WH

Model Version		Page
	AKM 250/WH 8571 250 35010	
	Technical data	2
	Spare part list	3
	Exploded view	4
	Wiring diagram	5

Technical data



4619 997 68411

- 1. Medium Burner
- 2. Medium Burner
- 3. Large Burner
- 4. Small Burner

Voltage: 230 V
Frequency: 50 Hz

Type of gas used	Type of burner	Injector marking	Rated heat capacity PCS-kW	Rated consumption	Reduced heat capacity PCS-kW	Gas pressure (mbar)		
						min.	rat.	max.
Natural Gas (Methane) G 20	large	128	3,00	286 l/h	0,60	17	20	25
	medium	94	1,65	157 l/h				
	small	79	1,00	95 l/h				
Natural Gas (Cylinder) G 30	large	85	3,00	218 g/h	0,60	20	28-30	35
	medium	65	1,65	120 g/h				
	small	50	1,00	73 g/h				
Natural Gas (Cylinder) G 31	large	85	3,00	214 g/h	0,60	25	37	45
	medium	65	1,65	118 g/h				
	small	50	1,00	71 g/h				

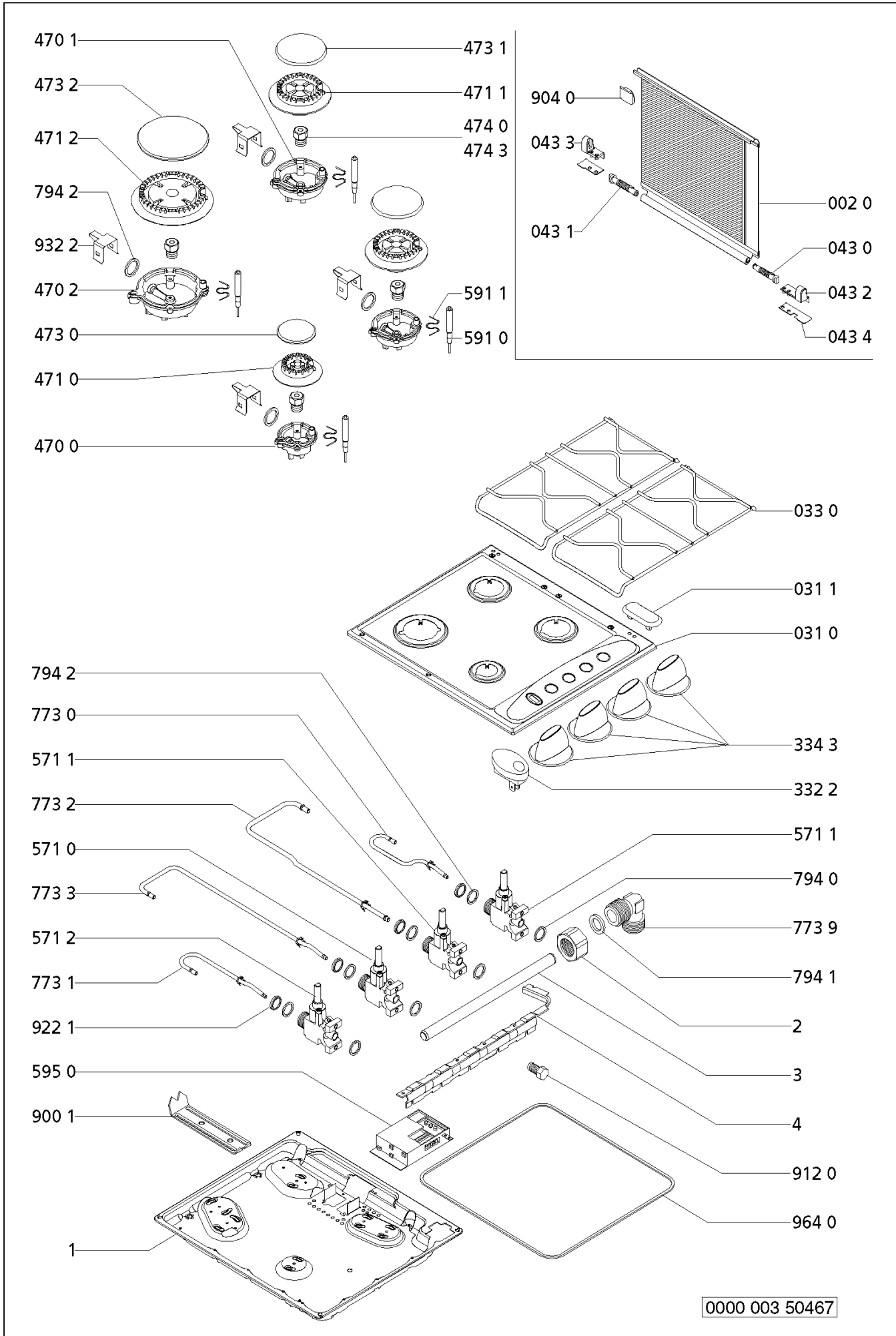
Type of gas used	Appliance model	Total rated heat capacity PCS-kW	Total rated consumption	Air required for burning m ³ /h
G20 20 mbar	4G	7,30	695 l/h	14,6
G30 28-30 mbar	4G	7,30	531 g/h	14,6
G31 37 mbar	4G	7,30	521 g/h	14,6

Spare part list

Model **AKM 250/WH**
Service No. **857125035010**
Version **857125035010**

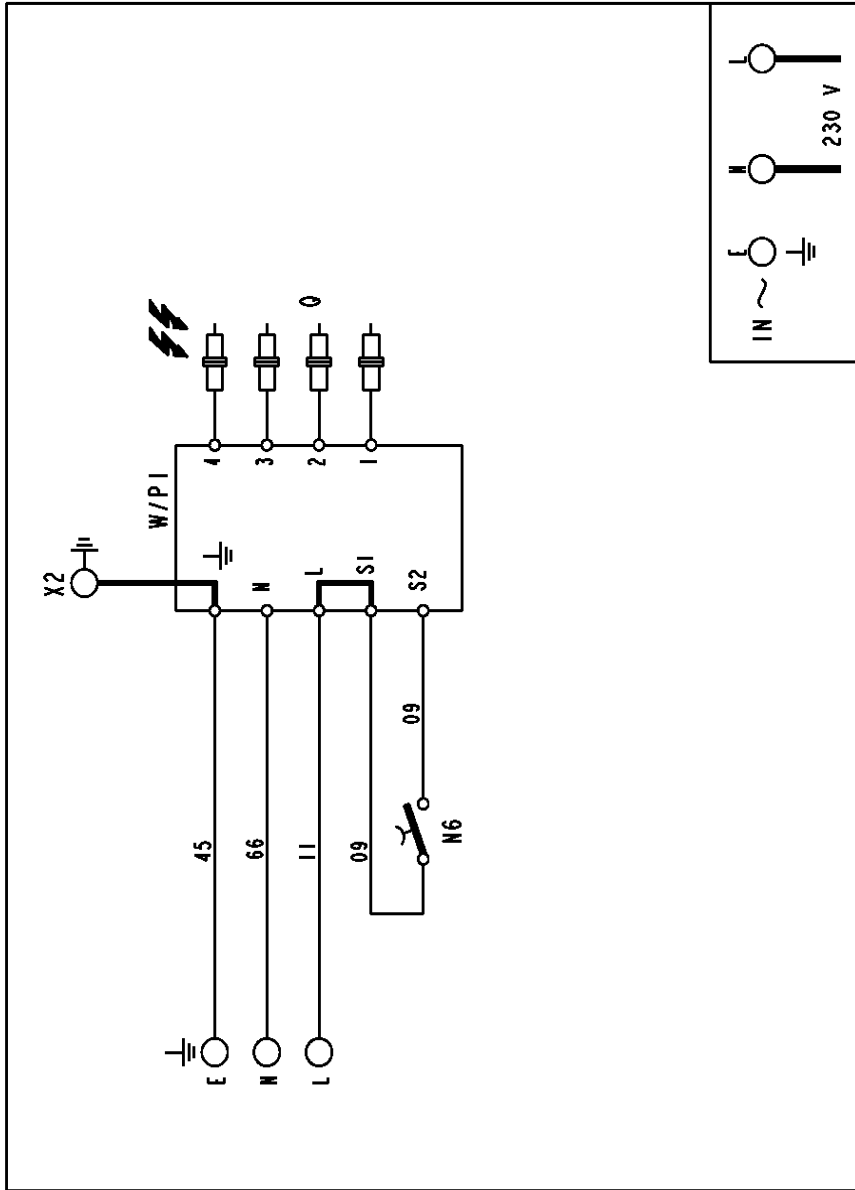
Pos. No.	12NC Code	Description
002 0	4819 450 58184	Lid
031 0	4819 442 38887	Hob
031 1	4819 468 18272	Stopper
033 0	4819 458 68067	Grid for hob
043 0	4819 417 19214	Hinge right
043 1	4819 417 19215	Hinge left
043 2	4819 404 79321	Bearing right
043 3	4819 404 79322	Bearing left
043 4	4819 310 39437	Washer set
332 2	4819 410 28915	Button,push f. electr. ignition
334 3	4819 411 29255	Knob
470 0	4819 360 69692	Injector holder A
470 1	4819 360 69689	Injector holder SR
470 2	4819 360 69691	Injector holder R
471 0	4819 360 78397	Burner A
471 1	4819 360 78398	Burner SR
471 2	4819 360 78399	Burner R
473 0	4819 360 69682	Lid burner A
473 1	4819 360 69681	Lid burner SR
473 2	4819 360 69679	Lid burner R
474 0	4819 310 39346	Set of nozzles G20-20 mbar
474 3	4819 310 39347	Set of nozzles G30-29/G31-37 mbar
571 0	4819 360 58672	Tap R
571 1	4819 360 58671	Tap SR
571 2	4819 360 58673	Tap A
591 0	4819 252 68146	Spark plug
591 1	4819 492 68788	Spring
595 0	4819 145 78206	Connectionblock + generator
773 0	4819 530 48605	Pipe, burner rear right
773 1	4819 530 48603	Pipe, burner front right
773 2	4819 530 48604	Pipe, burner rear left
773 3	4819 530 48602	Pipe, burner front left
773 9	4819 526 48179	Tube bend
794 0	4819 466 68874	Gasket ring
794 1	4819 532 58229	Gasket ring
794 2	4819 530 58065	Gasket ring
900 1	4819 404 79304	Bracket
904 0	4819 468 18271	Rubber
912 0	4819 502 18429	Screw
922 1	4819 532 28276	Bushing
932 2	4819 492 68791	Spring
964 0	4819 468 18261	Gasket hob

Exploded view



0000 003 50467

Wiring diagram



- 00- BLACK
- 11- BROWN
- 22- RED
- 33- ORANGE
- 44- YELLOW
- 53- GREEN
- 66- BLUE
- 77- VIOLET
- 88- BLUE SKY
- 99- WHITE
- 09- WHITE-BLACK
- 29- WHITE-RED
- 49- WHITE-YELLOW
- 69- WHITE-BLUE
- 90- GREY
- 45- YELLOW-GREEN

- N6 : SPARK IGNITION PUSH BUTTON
- W/P I : MAINS TERMINAL BLOCK/SPARK IGNITION
- Q : SPARK IGNITION PLUG
- X2 : COOKTOP EARTHING

4619 619 01891