

This document provides additional assistance with wiring your Extron IP Link enabled product to your device. Different components may require a different wiring scheme than those listed below.

For complete operating instructions, refer to the user's manual for the specific Extron IP Link enabled product or the controlled device manufacturer supplied documentation.

Device Specifications:

Device Type: Switcher
Manufacturer: Kramer
Firmware Version: N/A
Model(s): VP-773

Version History:

Driver Version	Date	IP Link Compiler	GC Version	Notes
1	3/3/2014	1.6.0	3.5.1	Initial version.

Driver Notes:

- Driver has been optimized for volume.
- When using the MLC 60 series, the Protocol 3000 Enable command must be sent first in order for driver to function properly.

Control Commands & States:

Aspect Ratio	Follow Input Letterbox	Follow Output	Best Fit
Audio Mute	On	Off	
Display Mode	Single Picture + Picture	PIP Custom	Split
Executive Mode	Toggle		
Freeze	On	Off	
HDCP Setting	On	Off	
Input	HDMI1 HDMI4 Composite	HDMI2 PC1 DisplayPort	HDMI3 PC2
Input Volume	-20 to 4 in steps of 1		
Menu Navigation	Menu Left	Enter	Right
Mic 1 (Discrete)	-100 to 12 in steps of 1		
Mic 2 (Discrete)	-100 to 12 in steps of 1		
Output Resolution	Native 800x600 (50Hz) 1024x768 (50Hz) 1280x768 (50Hz) 1280x1024 (50Hz) 1360x768 (60Hz) 1400x1050 (50Hz) 1600x1200 (50Hz) 1920x1200 (60Hz) 576i 720p (59.94Hz) 1080p (24Hz)	640x480 (60Hz) 800x600 (60Hz) 1024x768 (60Hz) 1280x768 (60Hz) 1280x1024 (60Hz) 1366x768 (50Hz) 1400x1050 (60Hz) 1600x1200 (60Hz) 480i 576p 720p (60Hz) 1080p (25Hz)	640x480 (75Hz) 800x600 (75Hz) 1024x768 (75Hz) 1280x800 (60Hz) 1280x1024 (75Hz) 1366x768 (60Hz) 1600x900 (60Hz) 1680x1050 (60Hz) 480p 720p (50hz) 1080p (23.976Hz) 1080p (29.97Hz)

**IP Link® Device Interface
Communication Sheet**

	1080p (30Hz)	1080p (50Hz)	1080p (59.94Hz)
	1080p (60Hz)	2K (50 Hz)	2K (60Hz)
Output Volume	-80 to 20 in steps of 1		
Power Control	Toggle		
Video Mute	On	Off	

Status Available:

Aspect Ratio	Follow Input Letterbox	Follow Output	Best Fit
Audio Mute	On	Off	
Connection Status	Connected	Disconnected	
Display Mode	Single Picture + Picture	PIP Custom	Split
Freeze	On	Off	
HDCP Setting	On	Off	
Input	HDMI1 HDMI4 Composite	HDMI2 PC1 DisplayPort	HDMI3 PC2
Input Volume	-20 to 4 in steps of 1		
Mic 1 (Discrete)	-100 to 12 in steps of 1		
Mic 2 (Discrete)	-100 to 12 in steps of 1		
Output Resolution	Native 800x600 (50Hz) 1024x768 (50Hz) 1280x768 (50Hz) 1280x1024 (50Hz) 1360x768 (60Hz) 1400x1050 (50Hz) 1600x1200 (50Hz) 1920x1200 (60Hz) 576i 720p (59.94Hz) 1080p (24Hz) 1080p (30Hz) 1080p (60Hz)	640x480 (60Hz) 800x600 (60Hz) 1024x768 (60Hz) 1280x768 (60Hz) 1280x1024 (60Hz) 1366x768 (50Hz) 1400x1050 (60Hz) 1600x1200 (60Hz) 480i 576p 720p (60Hz) 1080p (25Hz) 1080p (50Hz) 2K (50 Hz)	640x480 (75Hz) 800x600 (75Hz) 1024x768 (75Hz) 1280x800 (60Hz) 1280x1024 (75Hz) 1366x768 (60Hz) 1600x900 (60Hz) 1680x1050 (60Hz) 480p 720p (50hz) 1080p (23.976Hz) 1080p (29.97Hz) 1080p (59.94Hz) 2K (60Hz)

MLC60 Series Supported Commands:

Aspect Ratio	Follow Input Letterbox	Follow Output	Best Fit
Audio Mute	On	Off	
Display Mode	Single Picture + Picture	PIP Custom	Split
Executive Mode	Toggle		
Freeze	On	Off	
HDCP Setting	On	Off	
Input	HDMI1 HDMI4 Composite	HDMI2 PC1 DisplayPort	HDMI3 PC2
Menu Navigation	Menu Left	Enter	Right
Output Resolution	Native 800x600 (50Hz) 1024x768 (50Hz) 1280x768 (50Hz) 1280x1024 (50Hz) 1360x768 (60Hz) 1400x1050 (50Hz) 1600x1200 (50Hz) 1920x1200 (60Hz) 576i 720p (59.94Hz) 1080p (24Hz) 1080p (30Hz) 1080p (60Hz)	640x480 (60Hz) 800x600 (60Hz) 1024x768 (60Hz) 1280x768 (60Hz) 1280x1024 (60Hz) 1366x768 (50Hz) 1400x1050 (60Hz) 1600x1200 (60Hz) 480i 576p 720p (60Hz) 1080p (25Hz) 1080p (50Hz) 2K (50 Hz)	640x480 (75Hz) 800x600 (75Hz) 1024x768 (75Hz) 1280x800 (60Hz) 1280x1024 (75Hz) 1366x768 (60Hz) 1600x900 (60Hz) 1680x1050 (60Hz) 480p 720p (50hz) 1080p (23.976Hz) 1080p (29.97Hz) 1080p (59.94Hz) 2K (60Hz)
Power Control	Toggle		

Cable and Adapter Requirements:

F/M RS232 DB9 Straight Serial Cable.

Notes for the Device:

Serial communication:

Port Type: RS-232

Baud Rate: 115200

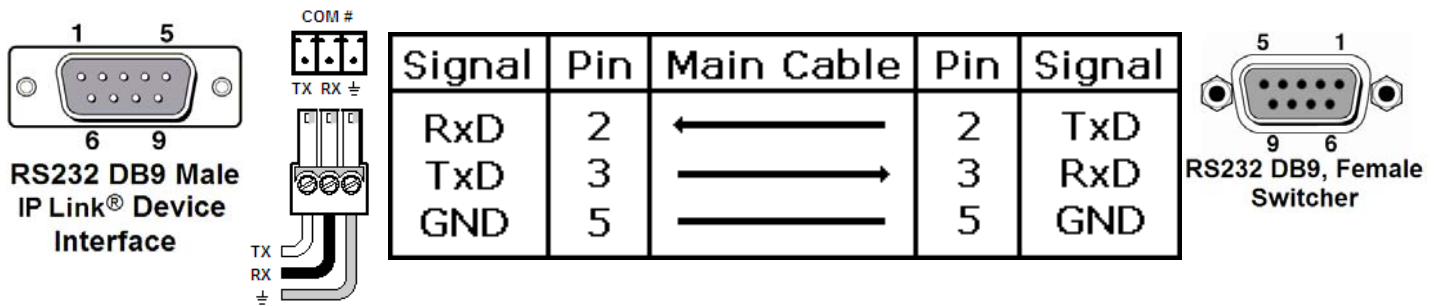
Data Bits: 8

Parity: None

Stop Bits: 1

Flow Control: None

Pin Assignments Diagram:



Note: Captive screw connector may also be used as a serial connection.

General Notes: