

# INSTALL DIRECTION

## STEAM BATHROOM

MODEL : WS-803L



Sanitary Ware Expert,  
Your best choice!

[www.eaglebath.com](http://www.eaglebath.com)

- No advanced advice will be submit before we change our design and size.
- The pictures may be a little different from the real products.
- Our company keep the final explanation right.



Dear Guest,

Thank you very much for purchasing our sanitary ware. To enable you to use this product safely and effectively, please read this installation and operation manual carefully before use.

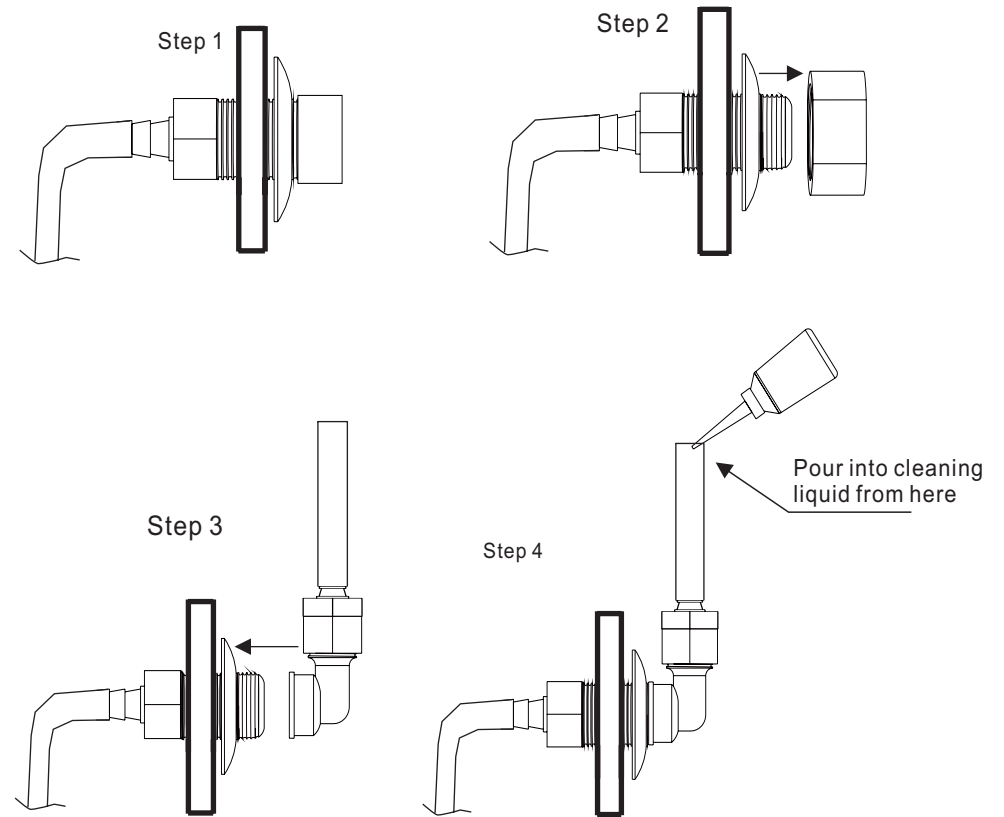
**CAUTIONS**

1. Please ensure that the product installed reliable electric leakage protection device, the power plug contains earth line, and make sure it is reliable earth line. Check the protect system of leakage protection each time before use.
2. Do not turn on water pump, heat pump or air bubble pump without water.
3. Before turn on water pump, check if the water level over jets 10 to 20 mm or not, make sure regular usage of water pump otherwise it will be destroy because of water leakage.
4. People with Hypertension symptom, after drink or heart disease are not allowed to use the bathtub. Children have a bath must under adult's guidance.
5. During use please noticed that don't blocked the jets and avoiding the air adjustment valve overflowing. Also keep the bathtub clean and don't let it blocked by hair or mess.
6. During use, please firstly adjust the water temperature or it will be burned.
7. The bathtub is designed with ergonomic, rise and fall changes are quite big so during usage pay more attention of be slipped.
8. Please shut down the system when not to use.


**TECHNIQUE PARAMETER**

Voltage	Frequency	Water Volatge	Power of steam generator
AC110V	60Hz	0.1~0.2Mpa	2.65KW

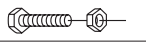
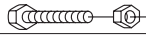
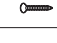
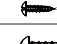


# Self-clean system

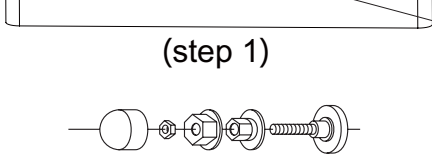
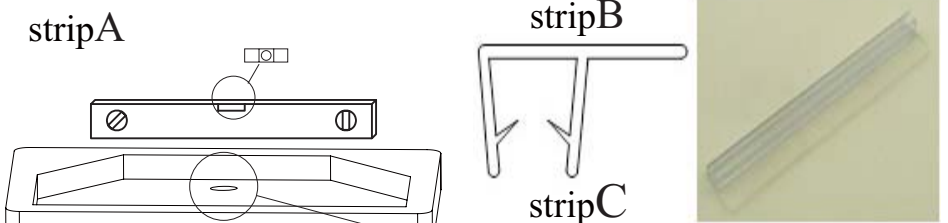
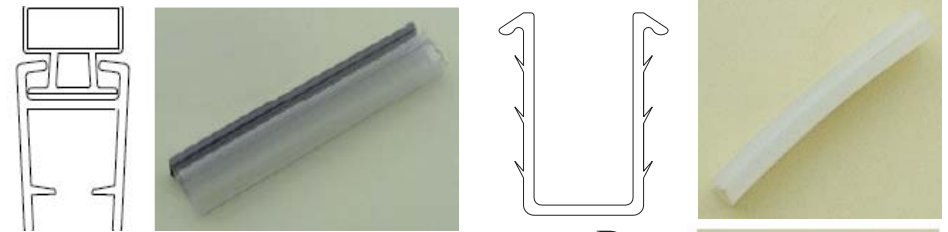
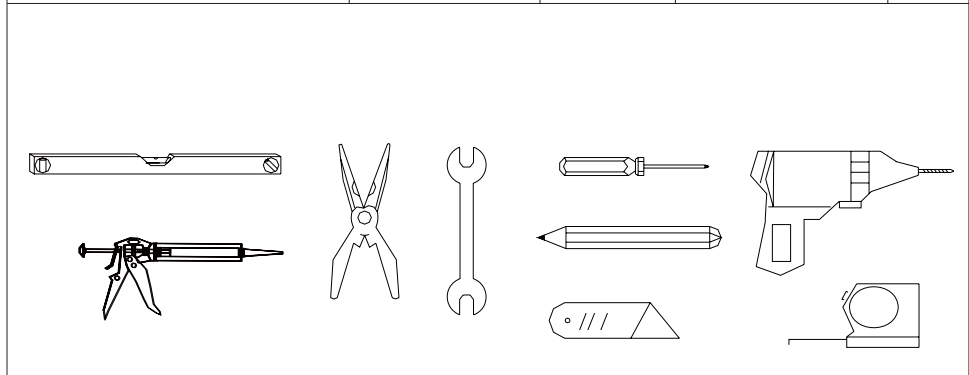


**Cleaning method :**

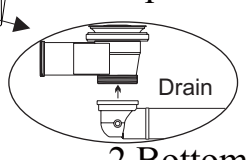
1. Clean the steam engine regularly at least once by every 2 weeks or after using 20 times.
2. Inject citric acid as main cleaning liquid, add 1.5L each time. after 10 minutes, turn on and When the system turns on, press  button to start the steam function for about 30 seconds and then shut down the system. After vent the stagnant water, repeat 2 or 3 times.
3. CAUTION: The system must be shut down before injecting cleaning liquid .

Packing list

Packing 1	2 Pieces of aluminum panels & seat board;			
Packing 2	All of the steam room body glass +4pcs aluminum poles +2pcs acrylic decorated board +strips ;			
Packing 3	ceiling and tray;			
Packing 4	Spare parts. Control panel cap, movable shower& chain , glass & carrier , sliding Wheels; Strip(using in stable glass up and down side ) ; Long handle; Towel shelf ; Drainer cap; Self clean system spare parts & cap, drainage pipe, Screws			
	SCREW (1)	M6x25		7
	SCREW (2)	M6x35		7
	SCREW (3)	St4x16		20
	SCREW (4)	St4x16		10
	SCREW (5)	St4x25		24
	SCREW (6)	St4x20		28

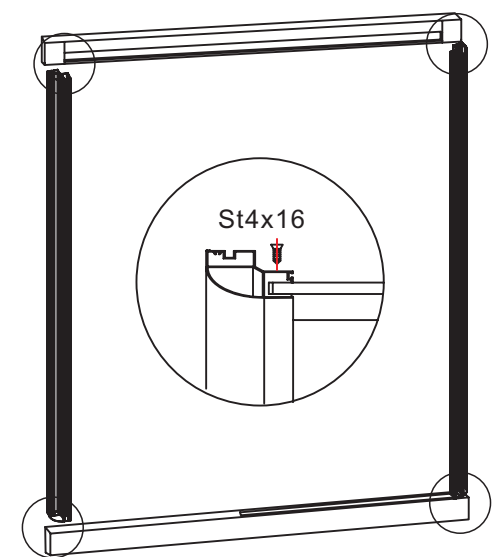


Chain wheel of glass door



2. Bottom tray installation .”

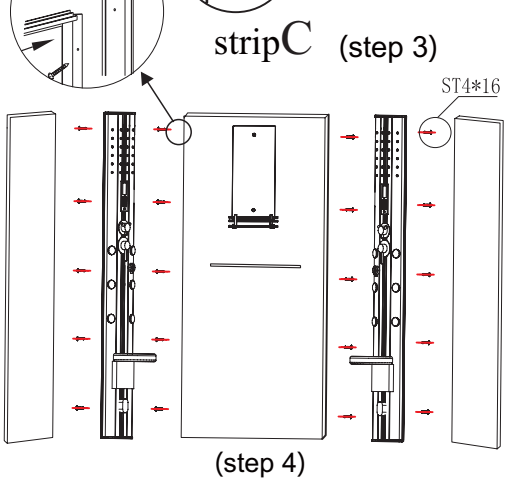
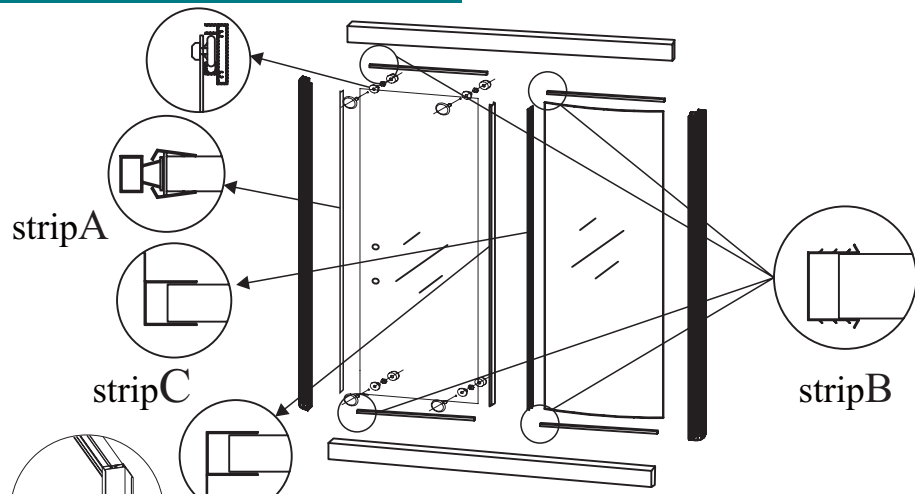
To adjust screws of bottom tray in order to make it balance with the ground if it is not at the same level . Install the drainage pipe under the bottom tray in advance .



(step 2)

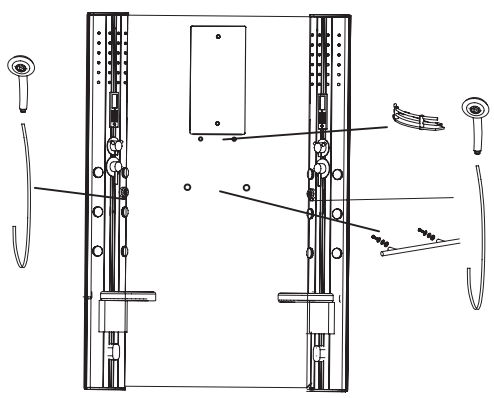
3.Pl. connect the 4pcs

aluminum poles together by screws , then it is a aluminum frame .



4. Pls. install strips on the bottom & top part of the stable glass, then insert the stable glass inside the groove of aluminum frame.

5. Install the wheels and magnetic strips on the movable glass door as picture, then put the movable door on the aluminum track. Install strips on sliding door & stable glass.



(step 5)

6. Lock the back side glass wall & 2 pcs aluminum panel together by screws. Then also lock the left and right side glass wall to these 2 pcs aluminum panels by screws. (PLS. lock the back side steam rooms body together according to our ready screws holes.) After lock the back side body together, pls. install the spare parts on it at this step. The spare parts are mirror, carrier, towel shelf movable shower.

ATTENTION

1. In order to be tripped and fell down, pay more attention when get into the steam room. Please don't shut the finger in the door in order to be hurt.
2. In order to avoid damaging the surface of products please do not use hardness and sharpness tool to curve the products.
3. In order to course fire, no smoking inside the bathroom.
4. the jets of steam and drainage pipe both are high temperature when products working, in order to be hurt please be careful.
5. In order to be tripped and fell down please keep clear of the bathtub after taking shower each time.
6. It will be leaking if the glass glue plastic sheet be off then please add some more for recover.
7. If there are marks of water please clear with soft cloth and toothpaste.
8. In order to be blocked of drainage device please keep clean of the surface of bathtub.
9. Please do not hang up heavy things on the steam room or the handle of steam room.
10. Please deal with the products according to the local laws when it is no longer be use.
11. Any request please contact with local dealer.

ATTENTION FOR USAGE

- 1 check if power and cold/hot water switch be turn on or be turn off each time before use this product.
  - 2 check if power of electronic leakage device be get through or not.
- Checking way:  
Press testing button, light of power be off, press button of restart then light of power be on. It is not being what mentioned above after operated step by step, then that shows the electronic protection device out off control or there is something wrong with the electronic leakage device, so should ask professional to check and maintain the product.
- 3 Turn off the main power of control panel after stop usage. The plug of power should be pull out because only turn off all the functions of control panel that is not stop the power.
  - 4 People with hypertension or drunk are not allowed to have sauna steam bath.
  - 5 Children should have sauna steam bath under adult's instruction.
  - 6 Please don't shut the finger in the door in order to be hurt when get into the steam room.
  - 7 In order to be tripped and fell down, pay more attention when get into the steam room.
  - 8 keep clean of the tray in order to be tripped and fell down.
  - 9 Pay attention to the steam sprayer and water tank drainage, they are in high temperature while working.

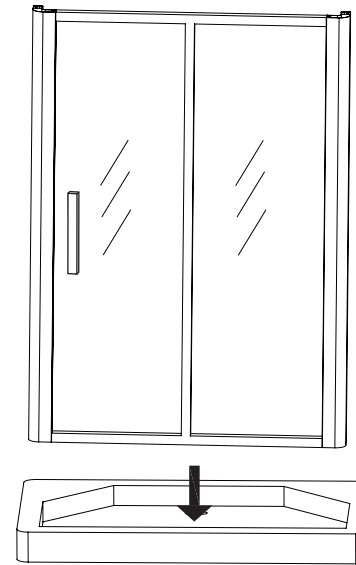
Attention:

The machine must be fixed in the circuit which protected by creepage protection and should be well-connected with the ground. Nontechnical people can not be fixed or removed at random.

6. Technical parameter

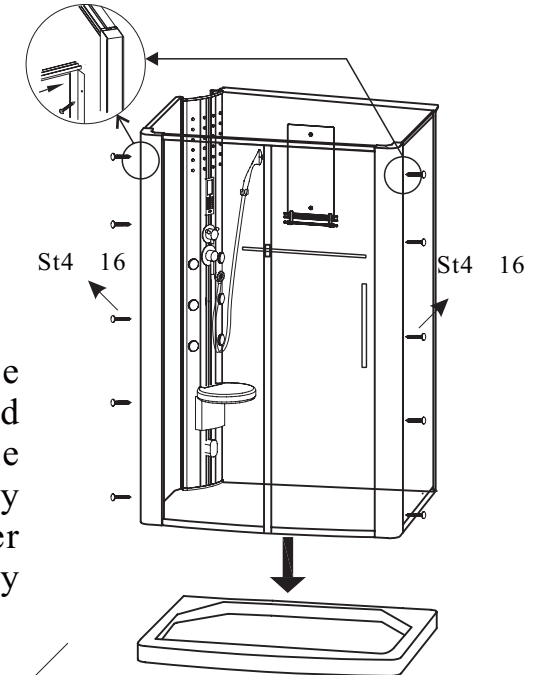
Model	Voltage	Current	Power	protecting electrifying	Waterproof Grade
KL-824	110V	25A	2650W	I	Ip4
Top light	Sidelight	Fan	Water inlet valve	Water drain valve	
20W	5W	3.5W	6W	7W	
AC12V	AC12V	DC12V	DC12V	DC12V	

INSTALLATION PROCESS



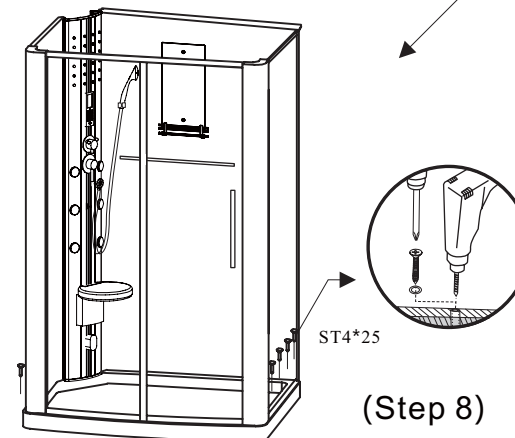
(Step 6)

7. Pls. carry the back side room body glass & front door glass to the bottom tray, lock them together by screws.

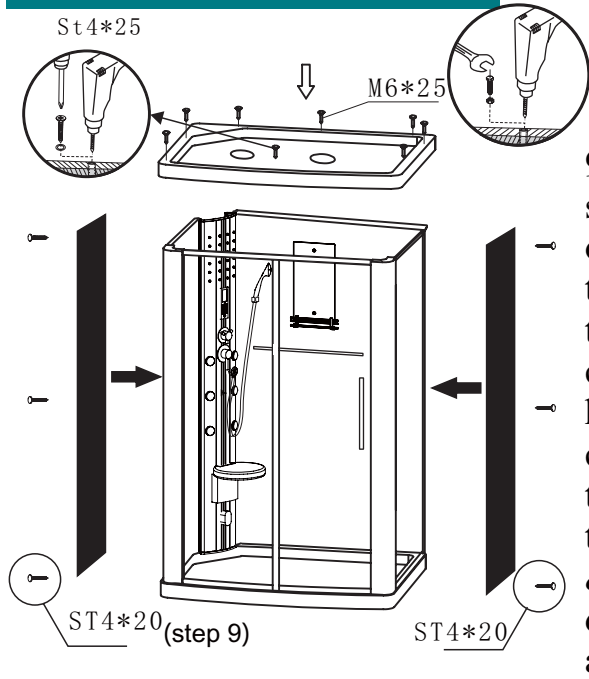


(Step 7)

8. One person hold the steam room body, and another person lock the screws between the body glass & bottom tray. After that, the steam room body is stable.

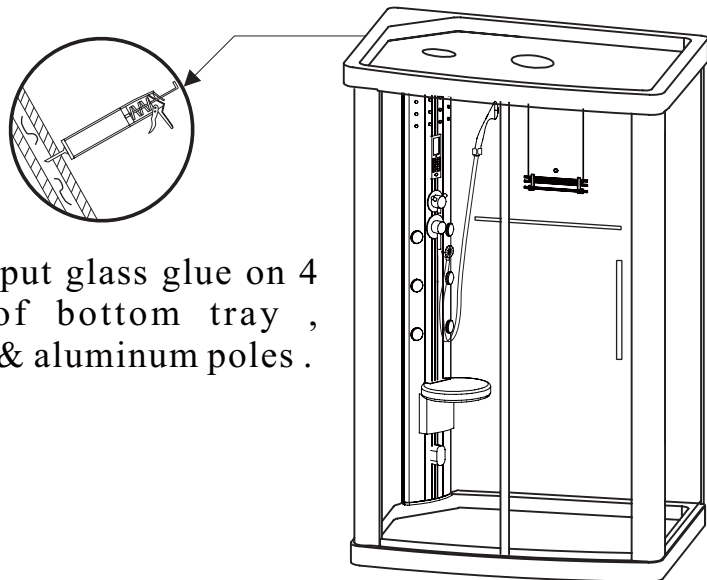


(Step 8)





9. Put the ceiling on steam room body, focus on those screws holes, then lock the screws on these holes. Connect the cold /hot water pipe to house water pipe and connect the power cable to house socket. After that, pls. install the left & right acrylic decorated panel on left and right side.

10. Pls. put glass glue on 4 sides of bottom tray, ceiling & aluminum poles.






(step 10)


(1) The electrical pitch

Press  pitch can open the machine, the temperature is the room temperature. The time will show 30m. At the same time, it will open the ceiling lamp. Press  again will close all the functions. (After the closure of the machine, the water case will drain for 2 minutes)


(2) The application of the back lamp

Press , the sidelight is on. Press  again, the ceiling lamp is out, press  a third press, the sidelight is out too.

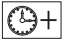

3) The steam function

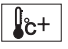

Press , startup the steam function, the water case will pump water automatically. After 60 minutes or so, it will generate steam. (When the water case is lack of water, the controller will replenish automatically)

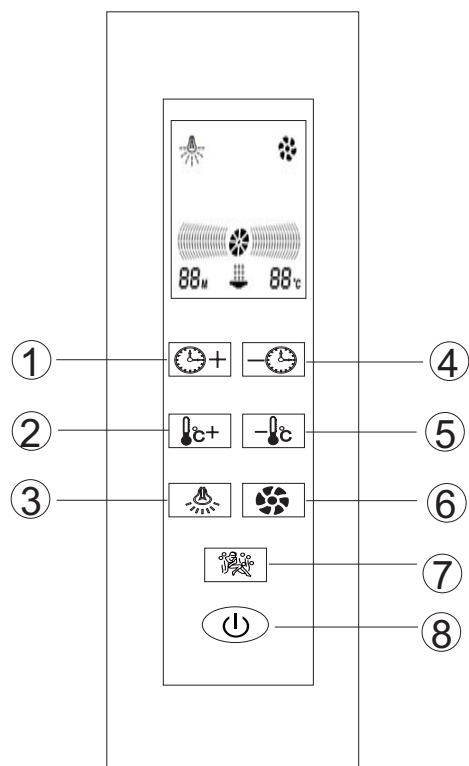
(4) The air draft function

Under the condition of turning on, press  can start up air draft function, press again will close it.

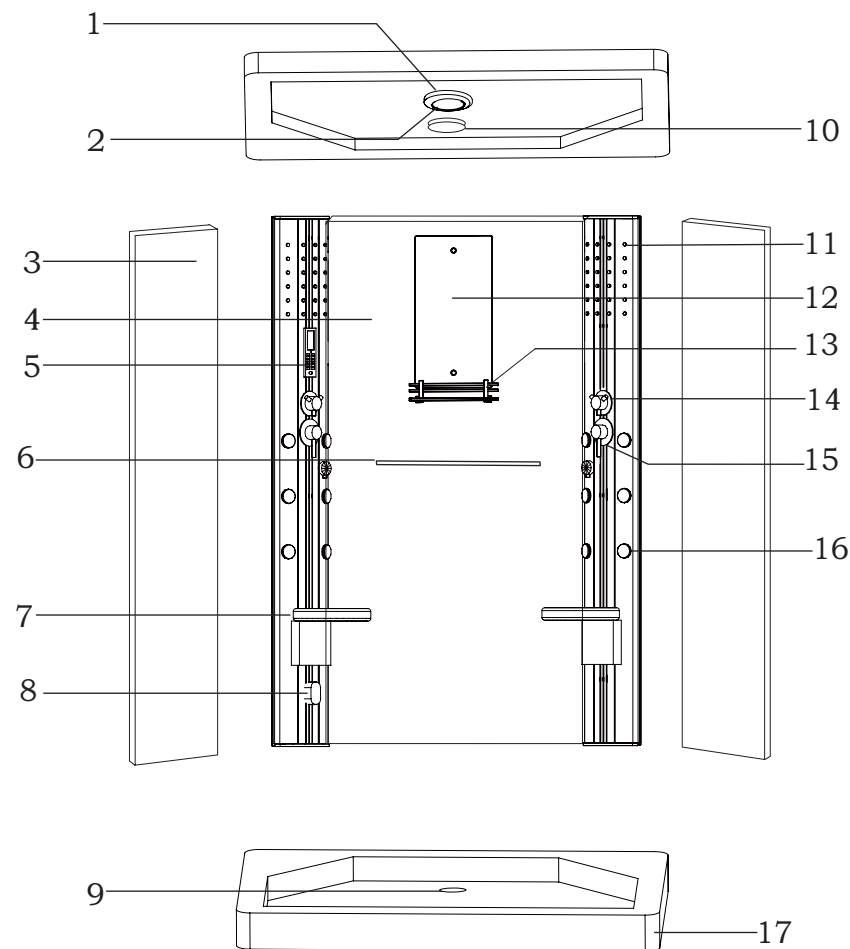
(5) The setting of time or temperature

1. Press   pitch can adjust the time from 1-99.

2. Press   pitch can adjust the temperature from 30-60 .



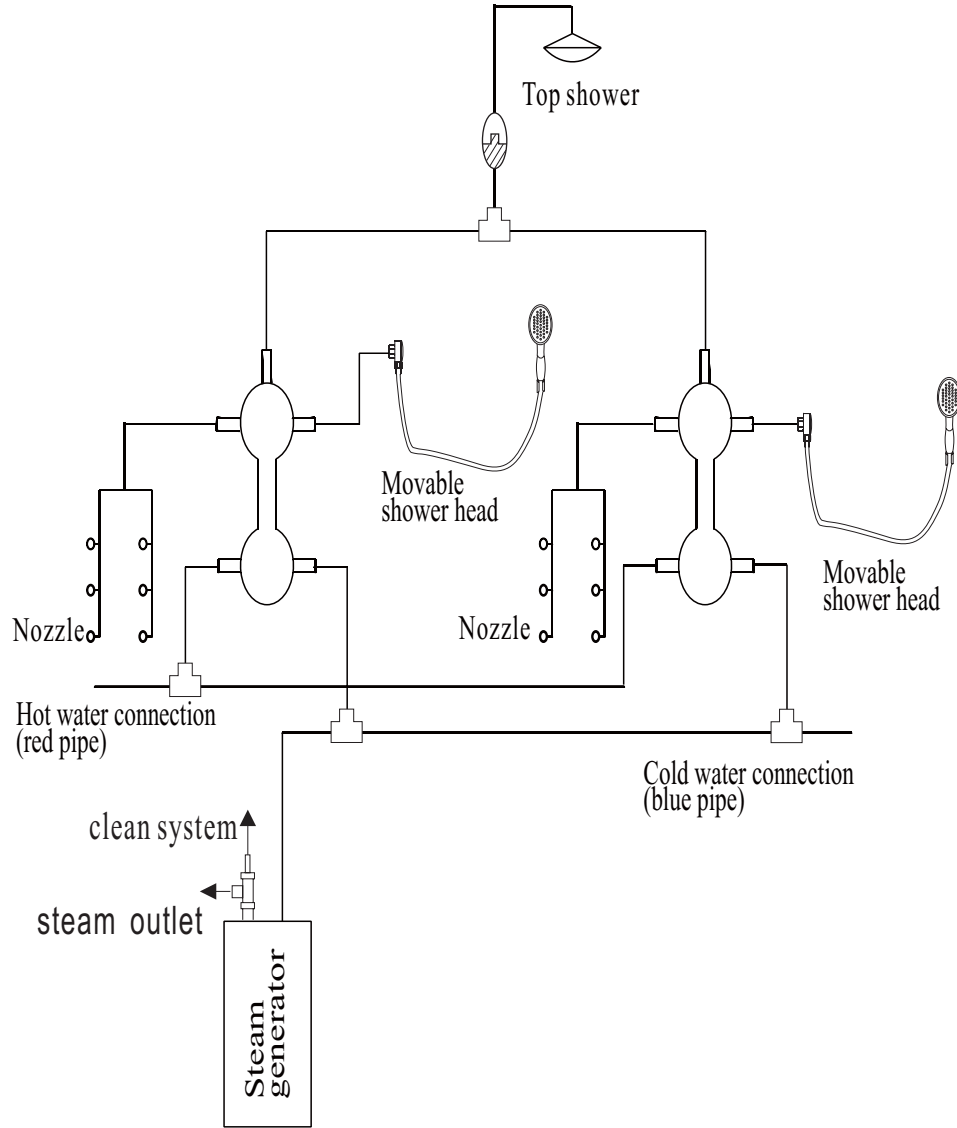
- ① Time adjustment pitch+
- ② Temperature adjustment pitch+
- ③ CeilingLamp/Back Lamp pitch
- ④ Time adjustment pitch-
- ⑤ Temperature adjustment pitch-
- ⑥ Fan Pitch
- ⑦ Steam Pitch
- ⑧ Main Cock Pitch



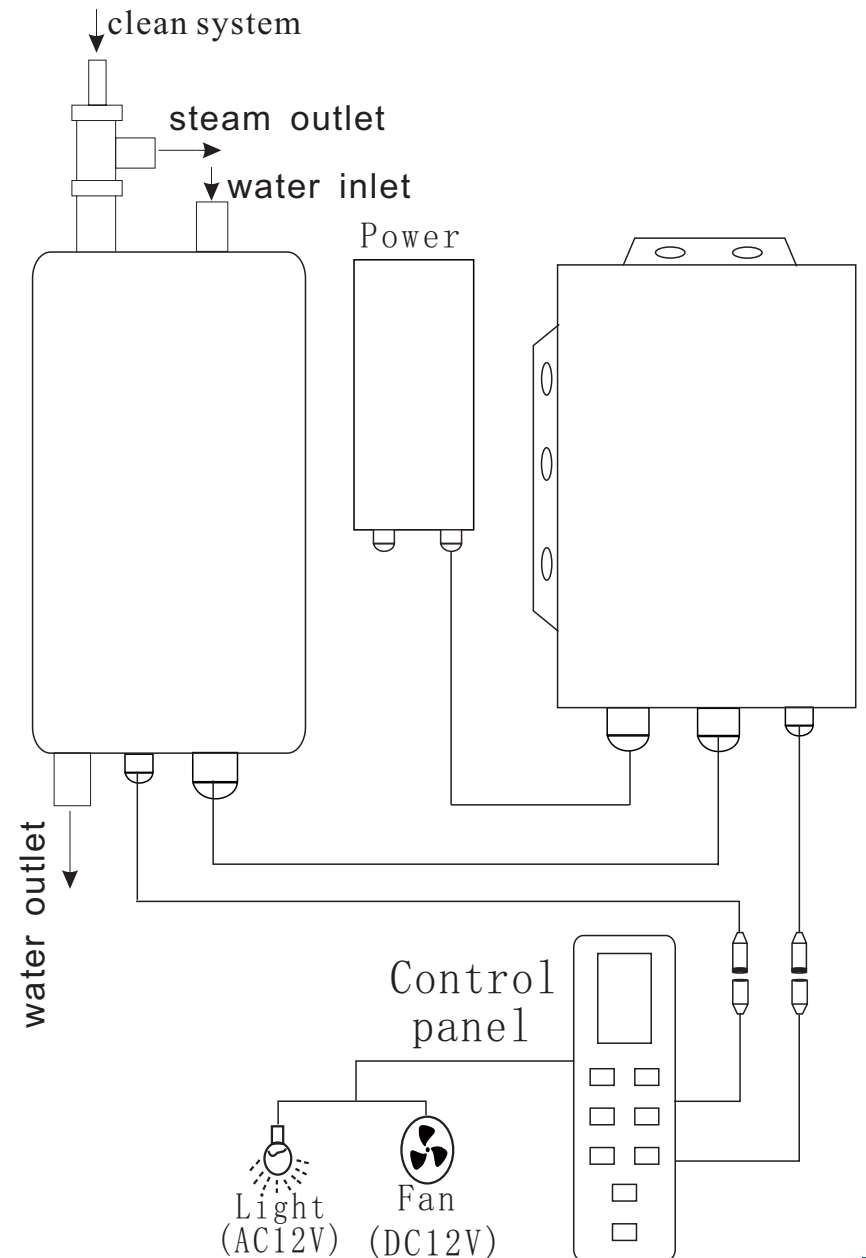
- 1、top light
- 2、top shower
- 3、room body
- 4、movable shower
- 5、control panel
- 6、towel shelf
- 7、seat
- 8、steam out
- 9、drainage
- 10、exhaust fan
- 11、decorated light
- 12、mirror
- 13、carrier
- 14、function switch
- 15、cold/hot water switch
- 16、nozzle
- 17、bottom tray

DRAWING OF WATER CONNECTION

As the “” from the picture, please make the connection according to the serial number v1,v2,etc.

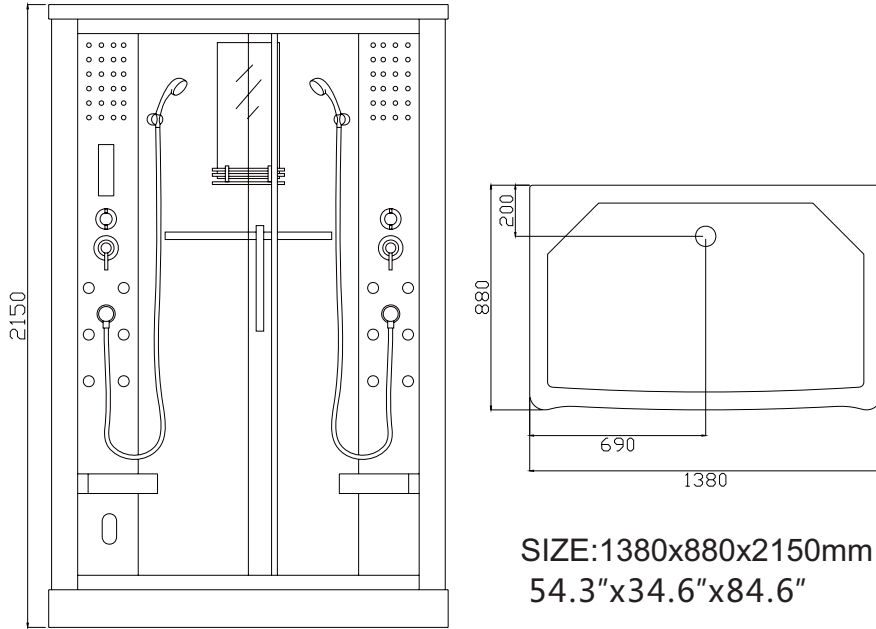


DRAWING OF ELECTRICITY CONNECTION



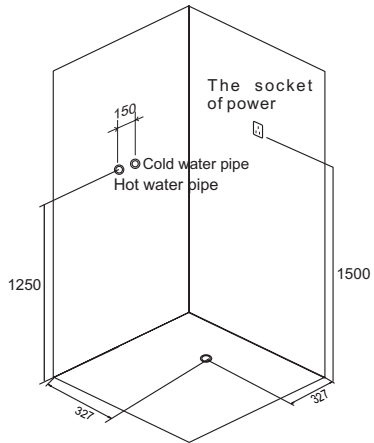


## SIZE



SIZE:1380x880x2150mm  
54.3"x34.6"x84.6"

## NOTES



1. Install the steam bathroom in a proper way and have the electrician or professional personnel to install the unit, the company won't take the responsibility for any improper installation and usage.
2. The application of the products shall follow the operating instructions .Dismantling and alteration without authorization is not allowed .The manufacturer shall not take the responsibility of any problems resulted from improper use or dismantling by users .