

SIZE: 150X150mm

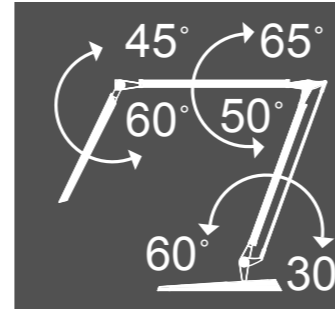
折線

折線

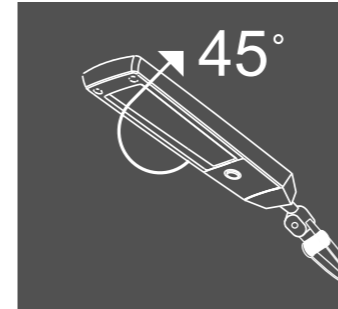
⚠ Important Safety Instruction

- Please do not disassemble transform or wash the product as this may cause electric shock.
- Please do not over-operate the joints as this may cause dump or damage.
- Please place the product on a flat surface to prevent falls.
- Please keep the product away from high temperature and humidity. Combustibles (eg. paper · cloth···)
- Please do not look directly at the LED lamp for preventing eye damage.
- Please do not apply the cleansers such as volatile solutions (e.g. alcohol · toluene), or other acid/alkaline agents to the product.
- Please don't loosen any hinge screw as this may cause tension-spring displace.
- Use only the power adaptor supplied. (Do not use any other power adaptor.) It may cause a malfunction.
- In the following cases, please disconnect the power cable and contact our customer service for any questions.
 - * The power cable or the plug is damaged or broken.
 - * The exterior or adjustable arm is damaged.
 - * Safety concerns such as if the device is smoking or sparking.
 - * The LED lamp abnormally continues to blink or is damaged

Specifications:



150 degrees vertically



45 degrees side ways

- Illumination : ≥1500lux (35cm from surface)
- Color Temperature : 6300K
- Input : 24V $\overline{=}$,0.5A,12W(max.)
- Power Cable Length : 180cm
- Actual Total Power Consumption : LED 11W
(Illumination equivalent to 27W traditional PL desk lamps)
- Recommended Operation Temperature : ≤ 35°C
- Power Factor : 50%



caution

■ Please only adjust the device at the recommended angle.
Too much angle will cause the device to fall and damage the lamp.

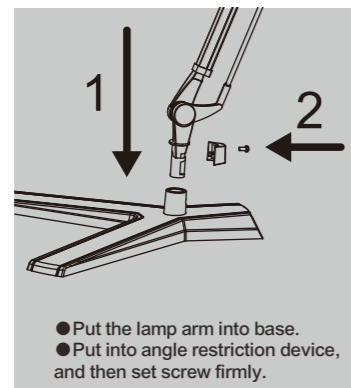
※Design and specifications are subject to change without notice.

CHIMEI
StylishLED

User's Manual

DD2C / FD2C / CD2C

DD2C-Desk Lamp

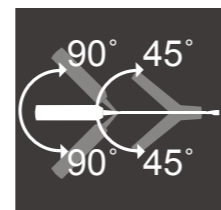


- Put the lamp arm into base.
- Put into angle restriction device, and then set screw firmly.



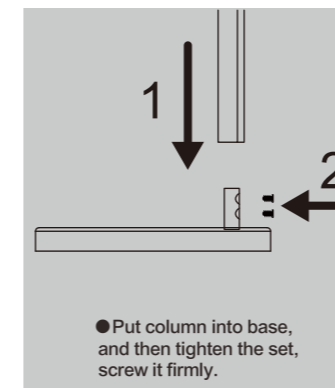
Appearance and Specifications

- Dimension : 1021mm x 308mm x 803mm (LxWxH)
- Net Weight : 2.2 Kg

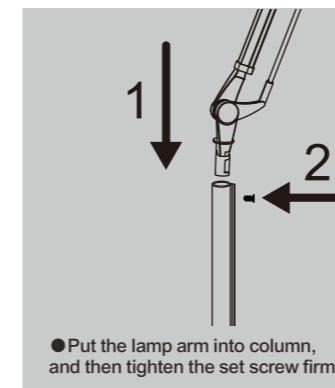


45 degrees horizontally

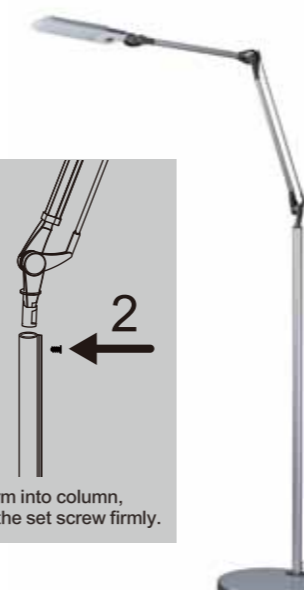
FD2C-Floor Lamp



- Put column into base, and then tighten the set, screw it firmly.

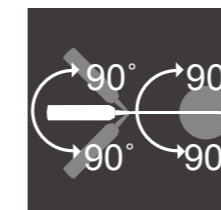


- Put the lamp arm into column, and then tighten the set screw firmly.



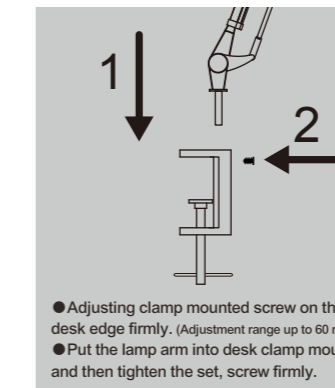
Appearance and Specifications

- Dimension : 1021mm x 260mm x 1592mm (LxWxH)
- Net Weight : 4.0 Kg



90 degrees horizontally

CD2C- Clamp Lamp

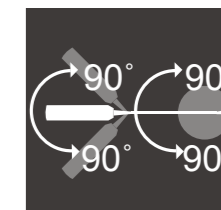


- Adjusting clamp mounted screw on the desk edge firmly. (Adjustment range up to 60 mm.)
- Put the lamp arm into desk clamp mount, and then tighten the set, screw firmly.



Appearance and Specifications

- Dimension : 1021mm x 57mm x 773mm (LxWxH)
- Net Weight : 0.96 Kg



90 degrees horizontally