

# Digital Wireless Package

The supplied CD-ROM includes the Operating Instructions (English, French, German, Italian, and Spanish versions) in PDF format.  
For more details, see "Using the CD-ROM manual" on page 16.

## Operating Instructions

Before operating the unit, please read this manual thoroughly and retain it for future reference.

DWZ-M50  
DWZ-B30GB

# For the ZTX-M01/B01 Transmitters

## Owner's Record

The model and serial numbers are located at the rear or on the bottom of the unit. Record the model and serial numbers in the space provided below.

Refer to these numbers whenever you call upon your Sony dealer regarding this product.

Model No. \_\_\_\_\_

Serial No. \_\_\_\_\_

## WARNING

Batteries shall not be exposed to excessive heat such as sunshine, fire or the like.

If the transmitter develops an abnormally high temperature, a burning odor or smoke during use, remove the battery holder and stop using the transmitter immediately. Take care not to burn your fingers when removing the battery holder as the batteries may be very hot at this time.

## AVERTISSEMENT

N'exposez pas les batteries à une chaleur excessive, au soleil ou près d'un feu par exemple.

Si l'émetteur dégage une température anormalement élevée, une odeur de brûlé ou de la fumée pendant son utilisation, enlevez le support de piles et arrêtez toute utilisation immédiatement.

Attention à ne pas vous brûler les doigts lorsque vous retirez le support de piles car celles-ci peuvent être brûlantes.

## WARNUNG

Akkus dürfen keinesfalls übermäßiger Wärmeeinwirkung ausgesetzt werden, wie z.B. Sonneneinstrahlung, Feuer o. ä.

Wenn der Sender eine abnorm hohe Temperatur, einen Geruch nach Verbranntem oder Rauch entwickelt,

entnehmen Sie den Batterie-Halter und stoppen Sie sofort den Betrieb des Senders. Achten Sie bei der Entnahme des Batterie-Halters darauf, sich nicht die Finger zu verbrennen, denn die Batterien könnten sehr heiß zu diesem Zeitpunkt sein.

## For the customers in the U.S.A.

This equipment has been tested and found to comply with the limits for a Class B digital device, pursuant to Part 15 of the FCC Rules. These limits are designed to provide reasonable protection against harmful interference in a residential installation. This equipment generates, uses, and can radiate radio frequency energy and, if not installed and used in accordance with the instructions, may cause harmful interference to radio communications. However, there is no guarantee that interference will not occur in a particular installation. If this equipment does cause harmful interference to radio or television reception, which can be determined by turning the equipment off and on, the user is encouraged to try to correct the interference by one or more of the following measures:

- Reorient or relocate the receiving antenna.
- Increase the separation between the equipment and receiver.
- Connect the equipment into an outlet on a circuit different from that to which the receiver is connected.
- Consult the dealer or an experienced radio/TV technician for help.

You are cautioned that any changes or modifications not expressly approved in this manual could void your authority to operate this equipment.

All interface cables used to connect peripherals must be shielded in order to comply with the limits for a digital device pursuant to Subpart B of Part 15 of FCC Rules.

*If you have any questions about this product, you may call ;*

*Sony Customer Information Service Center  
1-800-222-7669 or <http://www.sony.com/>*

#### **Declaration of Conformity**

Trade Name : SONY  
Model : ZTX-M01/B01  
Responsible party : Sony Electronics Inc.  
Address : 16530 Via Esprillo,  
San Diego, CA 92127 U.S.A.  
Telephone Number : 858-942-2230

This device complies with part 15 of the FCC Rules. Operation is subject to the following two conditions: (1) this device may not cause harmful interference, and (2) this device must accept any interference received, including interference that may cause undesired operation.

**IMPORTANT NOTE:** To comply with the FCC RF exposure compliance requirements, no change to the antenna or the device is permitted.

Any change to the antenna or the device could result in the device exceeding the RF exposure requirements and void user's authority to operate this device.

This device complies with FCC radiation exposure limits set forth for uncontrolled equipment and meets the FCC radio frequency (RF) Exposure Guidelines in Supplement C to OET65. This device has very low levels of RF energy that it is deemed to comply without testing of specific absorption ratio (SAR).

This transmitter must not be co-located or operated in conjunction with any other antenna or transmitter.

#### **For the customers in Canada**

This Class B digital apparatus complies with Canadian ICES-003.

This device complies with Industry Canada licence-exempt RSS standard(s).

Operation is subject to the following two conditions: (1) this device may not cause interference, and (2) this device must accept any interference, including interference that may cause undesired operation of the device.

The term "IC:" before the radio certification number only signifies that Industry Canada technical specifications were met.

This equipment complies with IC radiation exposure limits set forth for an uncontrolled environment and meets RSS-102 of the IC radio frequency (RF) Exposure rules. This equipment has very low levels of RF energy that are deemed to comply without testing of specific absorption ratio (SAR).

#### **Pour les clients au Canada**

Cet appareil numérique de la classe B est conforme à la norme NMB-003 du Canada.

Le présent appareil est conforme aux CNR d'Industrie Canada applicables aux appareils radio exempts de licence. L'exploitation est autorisée aux deux conditions suivantes : (1) l'appareil ne doit pas produire de brouillage, et (2) l'utilisateur de l'appareil doit accepter tout brouillage radioélectrique subi, même si le brouillage est susceptible d'en compromettre le fonctionnement.

La mention « IC: » devant le numéro de certification/homologation signifie uniquement que les spécifications techniques d'Industrie Canada sont remplies.

Cet équipement est conforme aux limites d'exposition aux rayonnements énoncées pour un environnement non contrôlé et respecte les règles d'exposition aux fréquences radioélectriques (RF) CNR-102 de l'IC. Cet équipement émet une énergie RF très faible qui est considérée conforme sans évaluation du débit d'absorption spécifique (DAS).



## **For the customers in Europe**

Hereby, Sony Corporation, declares that this ZTX-M01/B01 is in compliance with the essential requirements and other relevant provisions of the Directive 1999/5/EC.

For details, please access the following URL: <http://www.compliance.sony.de/>

## **Pour les clients en Europe**

Par la présente Sony Corporation déclare que l'appareil ZTX-M01/B01 est conforme aux exigences essentielles et aux autres dispositions pertinentes de la directive 1999/5/CE.

Pour toute information complémentaire, veuillez consulter l'URL suivante: <http://www.compliance.sony.de/>

## **Für Kunden in Europa**

Hiermit erklärt Sony Corporation, dass sich das Gerät ZTX-M01/B01 in Übereinstimmung mit den grundlegenden Anforderungen und den übrigen einschlägigen Bestimmungen der Richtlinie 1999/5/EG befindet.

Weitere Informationen erhältlich unter: <http://www.compliance.sony.de/>

## **Per i clienti in Europa**

Con la presente Sony Corporation dichiara che questo ZTX-M01/B01 è conforme ai requisiti essenziali ed alle altre disposizioni pertinenti stabilite dalla direttiva 1999/5/CE.

Per ulteriori dettagli, si prega di consultare il seguente URL: <http://www.compliance.sony.de/>

## **Para los clientes de Europa**

Por medio de la presente Sony Corporation declara que el ZTX-M01/B01 cumple con los requisitos esenciales y cualesquiera otras disposiciones aplicables o exigibles de la Directiva 1999/5/CE.

Para mayor información, por favor consulte el siguiente URL:

<http://www.compliance.sony.de/>

## **Voor de klanten in Europa**

Hierbij verklaart Sony Corporation dat het toestel ZTX-M01/B01 in overeenstemming is met de essentiële eisen en de andere relevante bepalingen van richtlijn 1999/5/EG.

Nadere informatie kunt u vinden op: <http://www.compliance.sony.de/>

## **För kunder i Europa**

Härmed intygar Sony Corporation att denna ZTX-M01/B01 står i överensstämmelse med de väsentliga egenskapskrav och övriga relevanta bestämmelser som framgår av direktiv 1999/5/EG.

För ytterligare information gå in på följande hemsida: <http://www.compliance.sony.de/>

## **Para clientes na Europa**

Sony Corporation declara que este ZTX-M01/B01 está conforme com os requisitos essenciais e outras disposições da Directiva 1999/5/CE.

Para mais informacoes, por favor consulte a seguinte URL:

<http://www.compliance.sony.de/>

## **Til europæiske kunder**

Undertegnede Sony Corporation erklærer herved, at følgende udstyr ZTX-M01/B01 overholder de væsentlige krav og øvrige relevante krav i direktiv 1999/5/EF.

For yderligere information gå ind på følgende hjemmeside:

<http://www.compliance.sony.de/>

## **Asiakkaille Euroopassa**

Sony Corporation vakuuttaa täten että ZTX-M01/B01 tyyppinen laite on direktiivin 1999/5/EY oleellisten vaatimusten ja sitä koskevien direktiivin muiden ehtojen mukainen.

Halutessasi lisätietoja, käy osoitteessa:

<http://www.compliance.sony.de/>

## **For kunder i Europa**

Sony Corporation erklærer herved at udstyret ZTX-M01/B01 er i samsvar med de

grunnleggende krav og øvrige relevante krav i direktiv 1999/5/EF.

For flere detaljer, vennligst se:

<http://www.compliance.sony.de/>

## **Για τους πελάτες που διαμένουν σε χώρες της Ευρώπης**

Με την παρούσα η Sony Corporation δηλώνει ότι ZTX-M01/B01

συμμορφώνεται προς της ουσιώδεις απαιτήσεις και τις λοιπές σχετικές διατάξεις της οδηγίας 1999/5/EK.

Για λεπτομέρειες παρακαλούμε όπως ελένξετε την ακόλουθη

σελίδα του διαδικτύου:

<http://www.compliance.sony.de/>

## **За клиентите в Европа**

С настоящето Сони Корпорация декларира, че този ZTX-M01/B01 отговаря на основните изисквания и другите съответстващи клаузи на Директива 1999/5/EC.

Подробности може да намерите на Интернет страницата :

<http://www.compliance.sony.de/>.

## **Pro zákazníky v Evropě**

Sony Corporation tímto prohlašuje, že tento ZTX-M01/B01 je ve shodě se základními požadavky a dalšími příslušnými ustanoveními směrnice 1999/5/ES.

Podrobnosti lze získat na následující URL:

<http://www.compliance.sony.de/>

## **Klientidele Euroopas**

Sony Corporation kinnitab käesolevaga seadme ZTX-M01/B01 vastavust 1999/5/EÜ direktiivi põhinõuetele ja nimetatud direktiivist tulenevatele teistele asjakohastele sätetele.

Üksikasjalikum info:

<http://www.compliance.sony.de/>.

## **Európai ügyfeleinknek**

Alulírott, Sony Corporation nyilatkozom, hogy a(z) ZTX-M01/B01 megfelel a vonatkozó alapvető

követelményeknek és az 1999/5/EC irányelv egyéb előírásainak.

További információkat a következő weboldalon találhat:

<http://www.compliance.sony.de/>

## **Klientiem Eiropā**

Ar šo Sony Corporation deklarē, ka ZTX-M01/B01 atbilst Direktīvas 1999/5/EK būtiskajām prasībām un citiem ar to saistītajiem noteikumiem.

Plašāka informācija ir pieejama:

<http://www.compliance.sony.de/>

## **Europos klientams**

Šiuo Sony Corporation deklaruoja, kad šis ZTX-M01/B01 atitinka esminius reikalavimus ir kitas 1999/5/EB Direktyvos nuostatas.

Susipažinti su visu atitikties deklaracijos turiniu Jūs galite interneto tinklalapyje:

<http://www.compliance.sony.de/>

## **Dla klientów w Europie**

Niniejszym Sony Corporation oświadcza, że ZTX-M01/B01 jest zgodne z zasadniczymi wymaganiami oraz innymi stosownymi postanowieniami Dyrektywy 1999/5/WE.

Szczegółowe informacje znaleźć można pod następującym adresem URL:

<http://www.compliance.sony.de/>

## **Pentru clienții din Europa**

Prin prezenta, Sony Corporation declară că acest ZTX-M01/B01 respectă cerințele esențiale și este în conformitate cu prevederile Directivei 1995/5/EC.

Pentru detalii, vă rugăm accesați următoarea adresă:

<http://www.compliance.sony.de/>

## **Pre zákazníkov v Európe**

Sony Corporation týmto vyhlasuje, že ZTX-M01/B01 spĺňa základné požiadavky a všetky príslušné ustanovenia Smernice 1999/5/ES.

Podrobnosti získate na nasledovnej  
webovej adrese:  
<http://www.compliance.sony.de/>

### **Za stranke v Evropi**

Sony Corporation izjavlja, da je ta  
ZTX-M01/B01 v skladu z bistvenimi  
zahtevami in ostalimi relevantnimi  
določili direktive 1999/5/ES.

Za podrobnosti vas naprošamo, če  
pogledate na URL:  
<http://www.compliance.sony.de/>

## **For the ZRX-HR50/C30 Receivers**

### **Owner's Record**

The model and serial numbers are located at  
the rear or on the bottom of the unit. Record  
the model and serial numbers in the space  
provided below.

Refer to these numbers whenever you call  
upon your Sony dealer regarding this  
product.

Model No. \_\_\_\_\_

Serial No. \_\_\_\_\_

### **IMPORTANT**

The nameplate is located on the bottom.

### **IMPORTANT**

La plaque signalétique se situe sous  
l'appareil.

### **WICHTIG**

Das Namensschild befindet sich auf der  
Unterseite des Gerätes.

### **WARNING**

Excessive sound pressure from earphones  
and headphones can cause hearing loss.  
In order to use this product safely, avoid  
prolonged listening at excessive sound  
pressure levels.

Batteries shall not be exposed to excessive  
heat such as sunshine, fire or the like.

If the receiver develops an abnormally high  
temperature, a burning odor or smoke  
during use, remove the battery holder and  
stop using the receiver immediately.  
Take care not to burn your fingers when  
removing the battery holder as the batteries  
may be very hot at this time.

### **AVERTISSEMENT**

Une pression acoustique excessive en  
provenance des écouteurs ou du casque peut  
provoquer une baisse de l'acuité auditive.  
Pour utiliser ce produit en toute sécurité,  
évitiez l'écoute prolongée à des pressions  
sonores excessives.

N'exposez pas les batteries à une chaleur  
excessive, au soleil ou près d'un feu par  
exemple.

Si le récepteur dégage une température  
anormalement élevée, une odeur de brûlé  
ou de la fumée pendant son utilisation,  
enlevez le support de piles et arrêtez toute  
utilisation immédiatement.

Attention à ne pas vous brûler les doigts  
lorsque vous retirez le support de piles car  
celles-ci peuvent être brûlantes.

### **WARNUNG**

Zu hoher Schalldruck von Ohrhörern und  
Kopfhörern kann Gehörschäden  
verursachen.

Um dieses Produkt sicher zu verwenden,  
vermeiden Sie längeres Hören bei sehr  
hohen Schalldruckpegeln.

Akkus dürfen keinesfalls übermäßiger  
Wärmeeinwirkung ausgesetzt werden, wie  
z.B. Sonneneinstrahlung, Feuer o. ä.

Wenn der Empfänger eine abnorm hohe  
Temperatur, einen Geruch nach  
Verbranntem oder Rauch entwickelt,  
entnehmen Sie den Batterie-Halter und  
stoppen Sie sofort den Betrieb des  
Empfängers.

Achten Sie bei der Entnahme des Batterie-  
Halters darauf, sich nicht die Finger zu  
verbrennen, denn die Batterien könnten  
sehr heiß zu diesem Zeitpunkt sein.

## About the supplied AC adapter

## A propos de l'adaptateur CA fourni

## Informationen zum mitgelieferten Netzteil

### Important Safety Instructions

- Read these instructions.
- Keep these instructions.
- Heed all warnings.
- Follow all instructions.
- Do not use this apparatus near water.
- Clean only with dry cloth.
- Do not block any ventilation openings. Install in accordance with the manufacturer's instructions.
- Do not install near any heat sources such as radiators, heat registers, stoves, or other apparatus (including amplifiers) that produce heat.
- Do not defeat the safety purpose of the polarized or grounding-type plug. A polarized plug has two blades with one wider than the other. A grounding-type plug has two blades and a third grounding prong. The wide blade or the third prong are provided for your safety. If the provided plug does not fit into your outlet, consult an electrician for replacement of the obsolete outlet.
- Protect the power cord from being walked on or pinched particularly at plugs, convenience receptacles, and the point where they exit from the apparatus.
- Only use attachments/accessories specified by the manufacturer.
- Use only with the cart, stand, tripod, bracket, or table specified by the manufacturer, or sold with the apparatus. When a cart is used, use caution when moving the cart/apparatus combination to avoid injury from tip-over.



- Unplug this apparatus during lightning storms or when unused for long periods of time.
- Refer all servicing to qualified service personnel. Servicing is required when the apparatus has been damaged in any way, such as power-supply cord or plug is damaged, liquid has been spilled or objects have fallen into the apparatus, the apparatus has been exposed to rain or moisture, does not operate normally, or has been dropped.

## WARNING

**To reduce the risk of fire or electric shock, do not expose this apparatus to rain or moisture.**

**To avoid electrical shock, do not open the cabinet. Refer servicing to qualified personnel only.**

When installing the unit, incorporate a readily accessible disconnect device in the fixed wiring, or connect the power plug to an easily accessible socket-outlet near the unit. If a fault should occur during operation of the unit, operate the disconnect device to switch the power supply off, or disconnect the power plug.

## AVERTISSEMENT

**Afin de réduire les risques d'incendie ou d'électrocution, ne pas exposer cet appareil à la pluie ou à l'humidité.**

**Afin d'écarter tout risque d'électrocution, garder le coffret fermé. Ne confier l'entretien de l'appareil qu'à un personnel qualifié.**

Lors de l'installation de l'appareil, incorporer un dispositif de coupure dans le câblage fixe ou brancher la fiche d'alimentation dans une prise murale facilement accessible proche de l'appareil. En cas de problème lors du fonctionnement de l'appareil, enclencher le dispositif de coupure d'alimentation ou débrancher la fiche d'alimentation.

## **WARNUNG**

**Um die Gefahr von Bränden oder elektrischen Schlägen zu verringern, darf dieses Gerät nicht Regen oder Feuchtigkeit ausgesetzt werden.**

**Um einen elektrischen Schlag zu vermeiden, darf das Gehäuse nicht geöffnet werden.**

**Überlassen Sie  
Wartungsarbeiten stets nur  
qualifiziertem Fachpersonal.**

Beim Einbau des Geräts ist daher im Festkabel ein leicht zugänglicher Unterbrecher einzufügen, oder der Netzstecker muss mit einer in der Nähe des Geräts befindlichen, leicht zugänglichen Wandsteckdose verbunden werden. Wenn während des Betriebs eine Funktionsstörung auftritt, ist der Unterbrecher zu betätigen bzw. der Netzstecker abzuziehen, damit die Stromversorgung zum Gerät unterbrochen wird.

## **CAUTION**

The apparatus shall not be exposed to dripping or splashing. No objects filled with liquids, such as vases, shall be placed on the apparatus.

The unit is not disconnected from the AC power source (mains) as long as it is

connected to the wall outlet, even if the unit itself has been turned off.

## **ATTENTION**

Eviter d'exposer l'appareil à un égouttement ou à des éclaboussures. Ne placer aucun objet rempli de liquide, comme un vase, sur l'appareil.

Cet appareil n'est pas déconnecté de la source d'alimentation secteur tant qu'il est raccordé à la prise murale, même si l'appareil lui-même a été mis hors tension.

## **VORSICHT**

Das Gerät ist nicht tropf- und spritzwassergeschützt. Es dürfen keine mit Flüssigkeiten gefüllten Gegenstände, z. B. Vasen, darauf abgestellt werden.

Solange das Netzkabel an eine Netzsteckdose angeschlossen ist, bleibt das Gerät auch im ausgeschalteten Zustand mit dem Stromnetz verbunden.

## **For the customers in the U.S.A.**

This equipment has been tested and found to comply with the limits for a Class B digital device, pursuant to Part 15 of the FCC Rules. These limits are designed to provide reasonable protection against harmful interference in a residential installation. This equipment generates, uses, and can radiate radio frequency energy and, if not installed and used in accordance with the instructions, may cause harmful interference to radio communications. However, there is no guarantee that interference will not occur in a particular installation. If this equipment does cause harmful interference to radio or television reception, which can be determined by turning the equipment off and on, the user is encouraged to try to correct the interference by one or more of the following measures:

- Reorient or relocate the receiving antenna.
- Increase the separation between the equipment and receiver.



- Connect the equipment into an outlet on a circuit different from that to which the receiver is connected.
- Consult the dealer or an experienced radio/TV technician for help.

You are cautioned that any changes or modifications not expressly approved in this manual could void your authority to operate this equipment.

All interface cables used to connect peripherals must be shielded in order to comply with the limits for a digital device pursuant to Subpart B of Part 15 of FCC Rules.

*If you have any questions about this product, you may call ;  
Sony Customer Information Service Center  
1-800-222-7669 or <http://www.sony.com/>*

#### **Declaration of Conformity**

Trade Name : SONY  
Model : ZRX-HR50/C30  
Responsible party : Sony Electronics Inc.  
Address : 16530 Via Esprillo,  
San Diego, CA 92127 U.S.A.  
Telephone Number : 858-942-2230

This device complies with part 15 of the FCC Rules. Operation is subject to the following two conditions: (1) this device may not cause harmful interference, and (2) this device must accept any interference received, including interference that may cause undesired operation.

#### **For the customers in Canada**

This Class B digital apparatus complies with Canadian ICES-003.

#### **Pour les clients au Canada**

Cet appareil numérique de la classe B est conforme à la norme NMB-003 du Canada.



#### **For the customers in Europe**

Hereby, Sony Corporation, declares that this ZRX-HR50/C30 is in compliance with the essential requirements and other relevant provisions of the Directive 1999/5/EC.

For details, please access the following URL: <http://www.compliance.sony.de/>

#### **Pour les clients en Europe**

Par la présente Sony Corporation déclare que l'appareil ZRX-HR50/C30 est conforme aux exigences essentielles et aux autres dispositions pertinentes de la directive 1999/5/CE.

Pour toute information complémentaire, veuillez consulter l'URL suivante: <http://www.compliance.sony.de/>

#### **Für Kunden in Europa**

Hiermit erklärt Sony Corporation, dass sich das Gerät ZRX-HR50/C30 in Übereinstimmung mit den grundlegenden Anforderungen und den übrigen einschlägigen Bestimmungen der Richtlinie 1999/5/EG befindet.

Weitere Informationen erhältlich unter: <http://www.compliance.sony.de/>

#### **Per i clienti in Europa**

Con la presente Sony Corporation dichiara che questo ZRX-HR50/C30 è conforme ai requisiti essenziali ed alle altre disposizioni pertinenti stabilite dalla direttiva 1999/5/CE.

Per ulteriori dettagli, si prega di consultare il seguente URL: <http://www.compliance.sony.de/>

#### **Para los clientes de Europa**

Por medio de la presente Sony Corporation declara que el ZRX-HR50/C30 cumple con los requisitos esenciales y cualesquiera otras disposiciones aplicables o exigibles de la Directiva 1999/5/CE.

Para mayor información, por favor consulte el siguiente URL: <http://www.compliance.sony.de/>

## Voor de klanten in Europa

Hierbij verklaart Sony Corporation dat het toestel ZRX-HR50/C30 in overeenstemming is met de essentiële eisen en de andere relevante bepalingen van richtlijn 1999/5/EG.

Nadere informatie kunt u vinden op:  
<http://www.compliance.sony.de/>

## För kunder i Europa

Härmed intygar Sony Corporation att denna ZRX-HR50/C30 står i överensstämmelse med de väsentliga egenskapskrav och övriga relevanta bestämmelser som framgår av direktiv 1999/5/EG.

För ytterligare information gå in på följande hemsida: <http://www.compliance.sony.de/>

## Para clientes na Europa

Sony Corporation declara que este ZRX-HR50/C30 está conforme com os requisitos essenciais e outras disposições da Directiva 1999/5/CE.

Para mais informacoes, por favor consulte a seguinte URL:

<http://www.compliance.sony.de/>

## Til europæiske kunder

Undertegnede Sony Corporation erklærer herved, at følgende udstyr ZRX-HR50/C30 overholder de væsentlige krav og øvrige relevante krav i direktiv 1999/5/EF.

For yderligere information gå ind på følgende hjemmeside:

<http://www.compliance.sony.de/>

## Asiakkaille Euroopassa

Sony Corporation vakuuttaa täten että ZRX-HR50/C30 tyyppinen laite on direktiivin 1999/5/EY oleellisten vaatimusten ja sitä koskevien direktiivin muiden ehtojen mukainen.

Halutessasi lisätietoja, käy osoitteessa:  
<http://www.compliance.sony.de/>

## For kunder i Europa

Sony Corporation erklærer herved at utstyret ZRX-HR50/C30 er i samsvar med de grunnleggende krav og øvrige relevante krav i direktiv 1999/5/EF.

For flere detaljer, vennligst se:  
<http://www.compliance.sony.de/>

## Για τους πελάτες που διαμένουν σε χώρες της Ευρώπης

Με την παρούσα η Sony Corporation δηλώνει ότι ZRX-HR50/C30 συμμορφώνεται προς της ουσιαστικές απαιτήσεις και τις λοιπές σχετικές διατάξεις της οδηγίας 1999/5/ΕΚ.

Για λεπτομέρειες παρακαλούμε όπως ελένξετε την ακόλουθη σελίδα του διαδικτύου:

<http://www.compliance.sony.de/>

## За клиентите в Европа

С настоящето Сони Корпорация декларира, че този ZRX-HR50/C30 отговаря на основните изисквания и другите съответстващи клаузи на Директива 1999/5/ΕC.

Подробности може да намерите на Интернет страницата :

<http://www.compliance.sony.de/>.

## Pro zákazníky v Evropě

Sony Corporation tímto prohlašuje, že tento ZRX-HR50/C30 je ve shodě se základními požadavky a dalšími příslušnými ustanoveními směrnice 1999/5/ΕS.

Podrobnosti lze získat na následující URL:

<http://www.compliance.sony.de/>

## Klientidele Euroopas

Sony Corporation kinnitab käesolevaga seadme ZRX-HR50/C30 vastavust 1999/5/ΕÜ direktiivi põhinõuetele ja nimetatud direktiivist tulenevatele teistele asjakohastele sätetele.

Üksikasjalikum info:  
<http://www.compliance.sony.de/>.

## Európai ügyfeleinknek

Alulírott, Sony Corporation nyilatkozom, hogy a(z) ZRX-HR50/C30 megfelel a vonatkozó alapvető követelményeknek és az 1999/5/EC irányelv egyéb előírásainak.

További információkat a következő weboldalon találhat:  
<http://www.compliance.sony.de/>

### **Klientiem Eiropā**

Ar šo Sony Corporation deklarē, ka ZRX-HR50/C30 atbilst Direktīvas 1999/5/EK būtiskajām prasībām un citiem ar to saistītajiem noteikumiem.  
Plašāka informācija ir pieejama:  
<http://www.compliance.sony.de/>

### **Europos klientams**

Šiuo Sony Corporation deklaruoja, kad šis ZRX-HR50/C30 atitinka esminius reikalavimus ir kitas 1999/5/EB Direktyvos nuostatas.  
Susipažinti su visu atitikties deklaracijos turiniu Jūs galite interneto tinklalapyje:  
<http://www.compliance.sony.de/>

### **Dla klientów w Europie**

Niniejszym Sony Corporation oświadcza, że ZRX-HR50/C30 jest zgodne z zasadniczymi wymaganiami oraz innymi stosownymi postanowieniami Dyrektywy 1999/5/WE.  
Szczegółowe informacje znaleźć można pod następującym adresem URL:  
<http://www.compliance.sony.de/>

### **Pentru clienții din Europa**

Prin prezenta, Sony Corporation declară că acest ZRX-HR50/C30 respectă cerințele esențiale și este în conformitate cu prevederile Directivei 1995/5/EC.  
Pentru detalii, vă rugăm accesați următoarea adresă:  
<http://www.compliance.sony.de/>

### **Pre zákazníkov v Európe**

Sony Corporation týmto vyhlasuje, že ZRX-HR50/C30 spĺňa základné požiadavky a všetky príslušné ustanovenia Smernice 1999/5/ES.  
Podrobnosti získate na nasledovnej webovej adrese:  
<http://www.compliance.sony.de/>

### **Za stranke v Evropi**

Sony Corporation izjavlja, da je ta ZRX-HR50/C30 v skladu z bistvenimi zahtevami in ostalimi relevantnimi določili direktive 1999/5/ES.  
Za podrobnosti vas naprošamo, če pogledate na URL:  
<http://www.compliance.sony.de/>

---

# Table of Contents

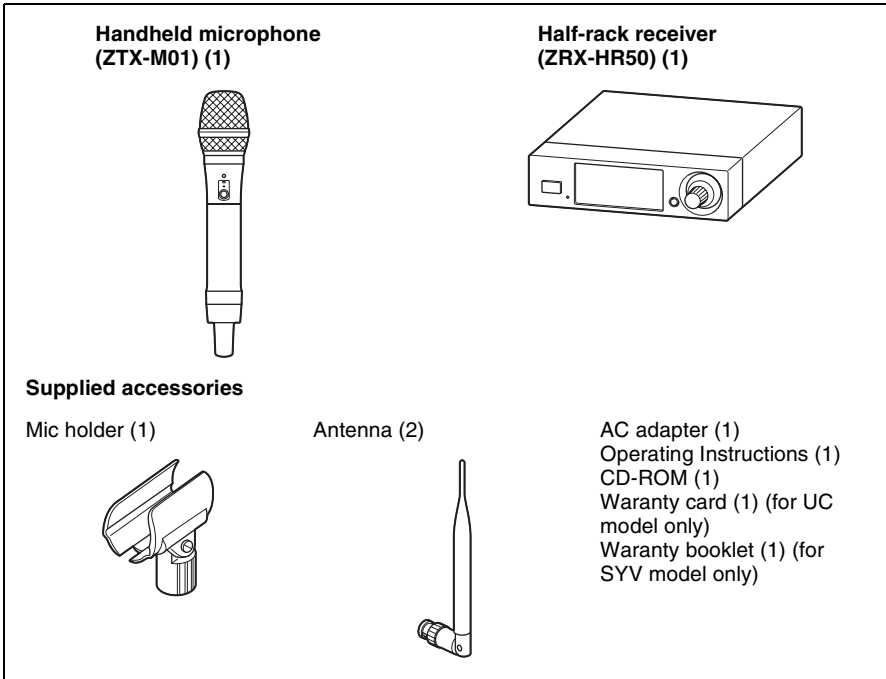
<b>Package Contents</b> .....	<b>13</b>	<b>System Configuration</b>	
DWZ-M50 .....	13	<b>Examples</b> .....	<b>34</b>
DWZ-B30GB .....	14	Configuration Examples for	
<b>Features</b> .....	<b>15</b>	the DWZ-M50 .....	34
DWZ-M50 .....	15	Configuration Example for the	
DWZ-B30GB .....	15	DWZ-B30GB .....	35
<b>Using the CD-ROM manual</b> .....	<b>16</b>	<b>Troubleshooting</b> .....	<b>36</b>
<b>Parts Identification</b> .....	<b>17</b>	<b>Important Notes on Use</b> .....	<b>39</b>
DWZ-M50 .....	17	Usage and Storage .....	39
DWZ-B30GB .....	20	Cleaning .....	39
<b>Power Supply</b> .....	<b>24</b>	<b>Specifications</b> .....	<b>40</b>
Inserting Batteries .....	24	DWZ-M50 .....	40
<b>Attaching the Supplied</b>		DWZ-B30GB .....	41
<b>Accessories</b> .....	<b>26</b>		
Attaching the Supplied			
Accessories to the Handheld			
Microphone (ZTX-M01) .....	26		
Attaching the Supplied			
Accessories to the Half-Rack			
Receiver (ZRX-HR50) .....	26		
Attaching the Supplied			
Accessories to the Body-Pack			
Transmitter (ZTX-B01) .....	27		
Attaching the Supplied			
Accessories to the Compact			
Receiver (ZRX-C30) .....	27		
<b>Receiver Settings</b> .....	<b>28</b>		
Half-Rack Receiver			
(ZRX-HR50) .....	28		
Compact Receiver			
(ZRX-C30) .....	30		
<b>Transmitter Settings</b> .....	<b>32</b>		
Configuring the Transmitting			
Channel Settings .....	32		
Channel Display .....	32		

# Package Contents

This manual contains information on the Sony DWZ-M50/B30GB Digital Wireless Packages. The contents of each package are as follows.

## DWZ-M50

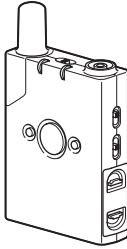
This set includes a handheld microphone (transmitter: ZTX-M01) and a half-rack receiver (receiver: ZRX-HR50).



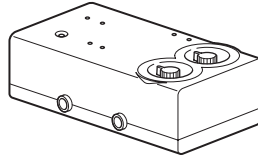
# DWZ-B30GB

This set includes a body-pack (transmitter: ZTX-B01) and a compact receiver (receiver: ZRX-C30).

**Body-pack transmitter  
(ZTX-B01) (1)**



**Compact receiver  
(ZRX-C30) (1)**

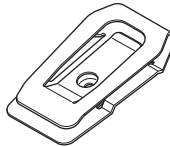


## Supplied accessories

Guitar cable (1)



Belt clip (1)



Cable clamp (1)



- Belt clip screw (1)
- AC adapter (1)
- Operating Instructions (1)

- CD-ROM (1)
- Waranty card (1) (for UC model only)

- Waranty booklet (1) (for SYV model only)

---

# Features

The DWZ series is a digital wireless system that combines Sony's consistently developed superior audio technology, highly reliable wireless technology, and state-of-the-art digital signal processing technology. Using an unlicensed 2.4 GHz band, the system provides wide-range functionality with simple, user-friendly operability.

By providing a package that is optimized for specific usage environments, the system offers a wireless solution to users ranging from those inexperienced with wireless systems to seasoned professionals.

## Superb audio quality

By transmitting audio signals via 24-bit high-quality linear PCM digital transmission, without signal compression, decompression, or similar processing, the system provides superb audio quality and high-bandwidth transmissions that approach that of wired microphones.

## High reliability

By allowing you to select from two RF modes based on your intended use and incorporating Sony's unique data processing technology, the system provides highly-reliable wireless transmission in wireless LAN environments. The receiver is equipped with two antennas with the antenna with the best reception status selected automatically via space diversity, providing stable reception with minimized audio breakup and noise occurrences.

---

## DWZ-M50

The DWZ-M50 is a package that includes a handheld microphone (transmitter: ZTX-M01) and a half-rack receiver (receiver:

ZRX-HR50) and is ideal for use with vocals.

## ZTX-M01

A microphone designed with a sturdy metal body.

Equipped with a muting function and an attenuator adjustment function, the unit supports a wide range of audio input levels.

In addition, the interchangeable microphone unit allows you to use the microphone in a variety of applications.

\* The microphone unit's mounting area has a diameter of 31.3 mm and a pitch of 1.0 mm.

## ZRX-HR50

A half-rack receiver equipped with large-screen high-resolution color LCD that combines high-functionality with simple operability.

The Best Channel Selection and Clear Channel Scan functions allow quick and easy configuration of safe channels. In addition, the 5-band graphic equalizer allows wide-range audio-quality adjustment. You can also select whether the muting function applies to the UNBALANCED OUTPUT TUNER/AUX connector.

Using the optional RMM-HRD1 Rack Mount Kit allows you to mount the unit on a rack.

---

## DWZ-B30GB

The DWZ-B30GB is a package that includes a body-pack transmitter (transmitter: ZTX-B01) and a compact receiver (receiver: ZRX-C30) and is ideal for use with electric guitars, electric acoustic guitars, electric bass guitars, etc.

## ZTX-B01

A transmitter designed with a sturdy metal body.

Equipped with a muting function, an instrument/mic input switching function, and an attenuator adjustment function, the unit supports a wide range of audio input levels. The supplied belt clip can be rotated in 90-degree increments, allowing you to adjust the direction in which the cables extend based on your environment.

## ZRX-C30

A compact receiver equipped with an internal antenna that is capable of withstanding rough handling.

Power can be supplied by the supplied 12 V AC adapter, by an external 9 V DC power supply, or by a square 9 V dry cell battery (6LR61). The unit supports power distributors, allowing you to reduce noise caused by battery operation. The cable tone generator also allows you to match the quality of wireless and wired audio. This reduces the amount of equalizer adjustment necessary on the amp side during wireless transmission. The muting function does not affect the TUNER OUT connector, allowing tuning without sound output.

---

# Using the CD-ROM manual

The manual can be read on a computer with Adobe Reader installed.

You can download Adobe Reader free from the Adobe website.

- 1** Open the index.html file in the CD-ROM.
- 2** Select and click on the manual that you want to read.

### Note

If you have lost or damaged the CD-ROM, you can purchase a new one from your Sony dealer or Sony service counter.

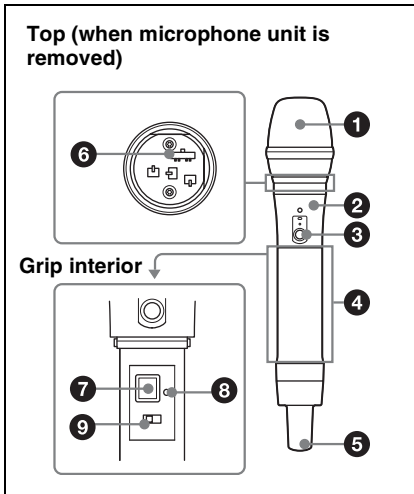
Adobe and Adobe Reader are trademarks of Adobe Systems Incorporated in the United States and/or other countries.



# Parts Identification

## DWZ-M50

### Handheld microphone (transmitter: ZTX-M01)



#### 1 Microphone unit

The standard-equipped microphone unit can be interchanged with another interchangeable microphone unit with a diameter of 31.3 mm and a pitch of 1.0 mm.

For details on attaching and removing the microphone unit, see “Replacing the microphone unit” (page 26).

#### 2 BATT/MUTING (remaining battery / muting) indicator

Lights when the unit is turned on. This indicates the remaining battery charge and the on/off status of the muting function.

Indicator	Status
Lit (green)	Good
Lit (red)	Almost dead
Blinking (orange)	Muting function enabled (i.e., audio disabled)

The remaining battery indication only appears when alkaline dry cell batteries are being used.

#### 3 POWER/MUTING button

Turns the unit on or off. This button can also be used to enable or disable the muting function.

Function	Button operation
Turn power on	Press the button for at least 1 second
Turn power off	Press the button until indicator turns off
Enable muting function	Press the button
Disable muting function	

#### 4 Grip

Contains the control buttons, channel display, and battery compartment. Open the grip to configure channel settings and replace the batteries.

For details on opening the grip, see “Inserting Batteries” (page 24).

#### 5 Antenna cover

Contains the antenna.

### Caution

Do not squeeze the antenna cover. Doing so will weaken the signal that is transmitted, decreasing the transmission range.

## 6 ATT (attenuator) switch

Set the attenuation level based on the sound volume.

Attenuation level (dB)	When to use
0	Standard switch position
6	Set to this position if a red bar occasionally appears in the audio level meter of the receiver.
12	Set to this position if a red bar always appears in the audio level meter of the receiver.

The attenuator switch is located at the top of the unit when the microphone unit is removed.

For details on attaching and removing the microphone unit, see “Replacing the microphone unit” (page 26).

## 7 Channel display

Displays the transmission channel. The display disappears after about 10 seconds. You can display it again by pressing the channel selection button.

For details on the channel display, see “Channel Display” (page 32).

## 8 Channel selection button

Allows you to select the RF mode and the transmitting channel.

For details on selecting the RF mode and transmitting channel, see “Configuring the Transmitting Channel Settings” (page 32).

## 9 Button lock switch

Locks the POWER/MUTING button and the channel selection button. This prevents unintentional operations, such as accidentally turning the power off.

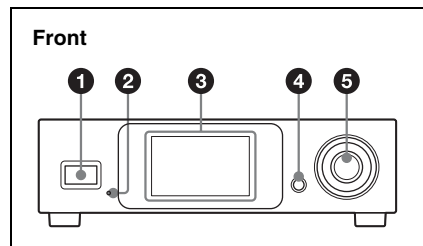
**LOCK:** Locks the buttons to disable their operation.

**UNLOCK:** Releases the lock to enable button operation.

## Caution

You cannot turn on the unit while this switch is set to the LOCK position, as even the power button is disabled. Set the switch to the UNLOCK position to perform operations.

## Half-rack receiver (receiver: ZRX-HR50)



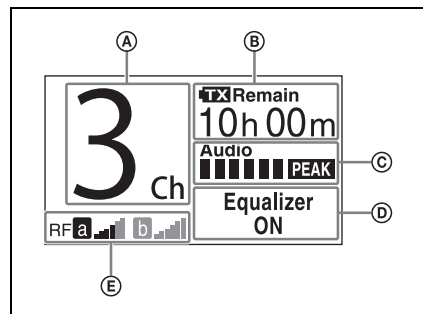
### 1 POWER button

Turns the unit on or off.

### 2 POWER indicator

Lights when the unit is turned on.

### 3 Display



Displays setting configurations and other information.

### A Receiving channel indicator

Displays the receiving channel.

**Ⓑ Remaining transmitter battery indicator**

Displays the remaining battery charge of the transmitter.

An approximate duration is displayed for the remaining usage time. This duration appears only when signals are being received.

**Ⓒ Audio level meter**

Displays the audio level.

Set the audio level so that the yellow or red bar does not appear.

**Ⓓ Equalizer status**

Displays the on/off status of the equalizer.

**Ⓔ Receiving level indicator**

Displays the reception status of the radio signal.

More bars indicate more stable reception.

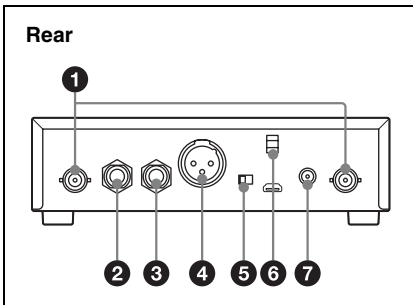
**④ ESC (escape) button**

Cancels operations, or returns to the main screen from the settings screen.

**⑤ Rotary encoder**

Allows you to change settings.

*For details on changing settings, see “Receiver Settings” (page 28).*



**① ANTENNA a/b connector (BNC type)**

Connect the supplied antenna here.

**② UNBALANCED OUTPUT TUNER/AUX (external audio output) connector (headphone jack)**

Connect monitoring equipment and similar peripheral devices here.

The audio output from the UNBALANCED OUTPUT TUNER/AUX connector will continue, even if the muting function of the transmitter is enabled. You can enable or disable the audio from this connector via the settings in the receiver’s display.

*For details on settings, see “Configuring the transmitter muting function for the UNBALANCED OUTPUT TUNER/AUX connector” (page 30).*

*For details on connections, see “System Configuration Examples” (page 34).*

**③ UNBALANCED OUTPUT MAIN (main audio output) connector (headphone jack)**

Connect a mixer or an amp here.

*For details on connections, see “System Configuration Examples” (page 34).*

**④ BALANCED OUTPUT connector (XLR type)**

Connect a mixer or similar device here.

*For details on connections, see “System Configuration Examples” (page 34).*

**⑤ MIC/LINE (audio output level) selector**

Selects the audio output level of the BALANCED OUTPUT connector.

**MIC:** Sets the audio output level to the mic level.

**LINE:** Sets the audio output level to the line level.

**Caution**

Do not set the selector to the LINE position while outputting audio to an audio mixer or similar device. Inputting audio at excessive levels may distort audio or damage the playback/recording device.

## 6 Cable clamp

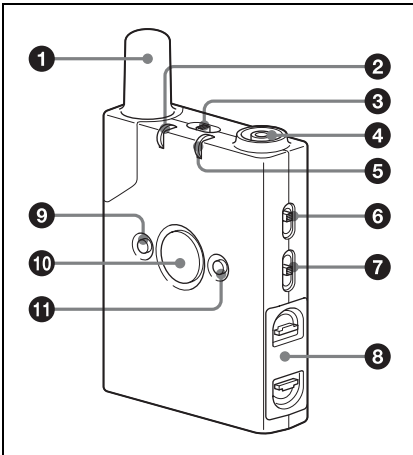
Secures the cable of the supplied AC adapter.

## 7 DC IN 12V (power input) connector

Connect the supplied AC adapter here.

# DWZ-B30GB

## Body-pack transmitter (transmitter: ZTX-B01)



## 1 Antenna cover

Contains the antenna.

### Caution

Do not squeeze the antenna cover. Doing so will weaken the signal that is transmitted, decreasing the transmission range.

## 2 BATT (remaining battery) indicator

Indicates the remaining battery charge when the unit is turned on.

Indicator	Status
Lit (green)	Good
Lit (red)	Almost dead

The remaining battery indication only appears when alkaline dry cell batteries are being used.

## 3 Button lock switch

Locks the POWER/MUTING button and the CHANNEL SELECT button. This prevents unintentional operations, such as accidentally turning the power off.

**LOCK:** Locks the buttons to disable their operation.

**UNLOCK:** Releases the lock to enable button operation.

### Caution

You cannot turn on the unit while this switch is set to the LOCK position, as even the power button is disabled. Set the switch to the UNLOCK position to perform operations.

## 4 Audio input connector

Connect a guitar or similar instrument here using the supplied guitar cable.

## 5 AUDIO/MUTING indicator

Indicates the input level of the audio signal and the status of the muting function.

Indicator	Status
Lit (green)	Audio input present
Lit (red)	Excessive audio input
Off	Audio input weak or nonexistent
Blinking (orange)	Muting function enabled (i.e., audio disabled)

## 6 INPUT switch

Set this based on the connected equipment.

**INST:** Set to this position when a guitar or similar instrument is connected.

**MIC:** Set to this position when a microphone is connected.

## Caution

Do not set the switch to the INST position while outputting audio to an audio mixer or similar device. Inputting audio at excessive levels may distort audio or damage the playback/recording device.

For details on the setting, see “System Configuration Examples” (page 34).

### 7 ATT (attenuator) switch

Set the attenuation level based on the connected equipment.

Attenuation level (dB)	When to use
0	Standard switch position
10	Set to this position if the AUDIO/MUTING indicator on the receiver occasionally lights red.
20	Set to this position if the AUDIO/MUTING indicator on the receiver is always lit red.

### 8 Battery compartment

Insert two LR6 (size AA) batteries here.

For details on how to insert batteries, see “Inserting Batteries” (page 24).

### 9 POWER/MUTING button

Turns the unit on or off. This button can also be used to enable or disable the muting function.

Function	Button operation
Turn power on	Press the button for at least 1 second
Turn power off	Press the button until indicator turns off
Enable muting function	Press the button
Disable muting function	

### 10 Channel display

Displays the transmission channel. The display disappears after about 10 seconds. You can display it again by pressing the channel selection button.

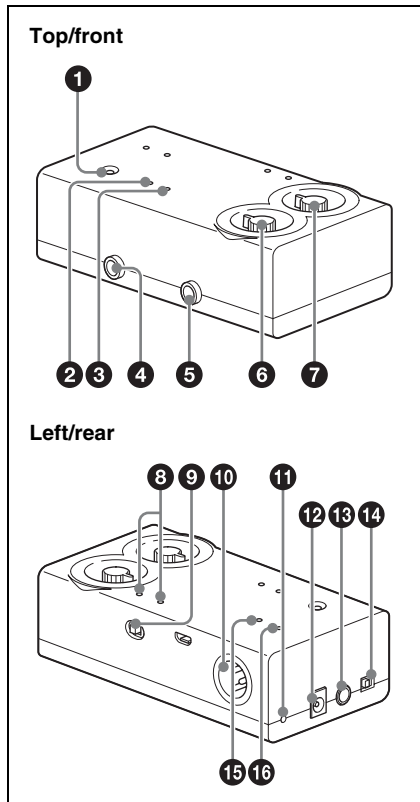
For details on the channel display, see “Channel Display” (page 32).

### 11 CHANNEL SELECT button

Allows you to select the RF mode and the transmitting channel.

For details on selecting the RF mode and transmitting channel, see “Configuring the Transmitting Channel Settings” (page 32).

## Compact receiver (receiver: ZRX-C30)



### ❶ POWER indicator

Lights when the unit is turned on. When a square 9 V dry cell battery (6LR61) is being used, this also indicates the remaining battery charge.

Indicator	Status
Lit (green)	Good
Lit (red)	Almost dead

### ❷ RF (radio frequency input) indicator

Displays the reception status of the radio signal.

Indicator	Status
Lit (green)	Reception good
Lit (red)	Reception poor
Off	No reception

### ❸ AUDIO indicator

Indicates the status of the audio signal.

Indicator	Status
Lit (green)	Audio input present
Lit (red)	Excessive audio input
Off	Audio input weak or nonexistent

### ❹ TUNER OUT connector (TS phone type)

Connect a tuning meter or similar device here.

#### Caution

The audio output from the TUNER OUT connector will continue, even if the muting function of the transmitter is enabled.

*For details on connections, see “System Configuration Examples” (page 34).*

### ❺ MAIN OUT connector (TS phone type)

Connect a guitar amp or bass amp here.

*For details on connections, see “System Configuration Examples” (page 34).*

### ❻ CABLE TONE (cable tone generator) switch

Turn the knob to configure the cable tone generator.

*For details on the cable tone generator, see “Configuring the cable tone generator” (page 31).*

### ❼ CHANNEL (channel selection) switch

Turn the knob to select the receiving channel.

The receiving channel will be set to the channel of the RF mode that is selected with the RF MODE switch.

*For details on settings, see “Configuring the RF mode and receiving channel” (page 30).*

### ❽ RF MODE indicators

The indicator of the RF mode that is selected with the RF MODE switch lights.

### ❾ RF MODE (RF mode selection) switch

Selects the RF mode.

*For details on settings, see “Configuring the RF mode and receiving channel” (page 30).*

### ❿ BALANCED OUTPUT connector (XLR type)

Connect a mixer or similar device here.

*For details on connections, see “System Configuration Examples” (page 34).*

### ⓫ Cable clamp attachment hole

Attach the supplied cable clamp here.

*For details on attaching the cable clamp, see “Attaching the cable clamp” (page 27).*

**12 DC IN 9V (power input) connector**



Use this to connect to a commercially available 9 V DC power supply unit.

**13 DC IN 12V (power input) connector**



Connect the supplied AC adapter here.

**14 POWER switch**

Turns the unit on or off.

**15 TX MUTING (transmitter muting) indicator**

Indicates the status of the muting function for the transmitter.

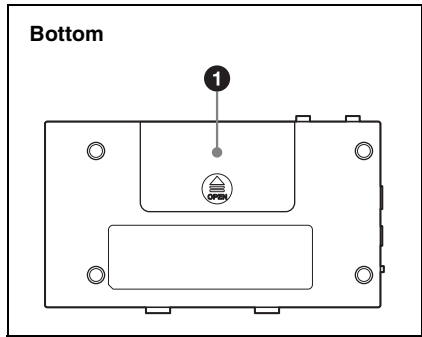
This blinks orange when the muting function is enabled.

**16 TX BATT (remaining transmitter battery) indicator**

Indicates the remaining battery charge of the transmitter.

Indicator	Status
Lit (green)	Good
Lit (red)	Almost dead

The remaining battery indication only appears when alkaline dry cell batteries are being used.



**1 Battery compartment**

Insert a square 9 V dry cell (6LR61) battery here.

*For details on how to insert batteries, see “Inserting Batteries” (page 24).*

---

# Power Supply

This section describes the power supply for each device.

*For details on how to insert batteries, see "Inserting Batteries" (page 24).*

## Handheld microphone (ZTX-M01), body-pack transmitter (ZTX-B01)

Power supplied by two LR6 (size AA) batteries.

The following types of battery can be used.

- Alkaline dry cell batteries
- Rechargeable nickel-metal hydride batteries
- Lithium batteries

## Half-rack receiver (ZRX-HR50)

Power supplied by the supplied AC adapter.

## Compact receiver (ZRX-C30)

Power can be supplied by the supplied AC adapter, by a commercially available 9 V DC power supply unit, or by a square 9 V dry cell battery (6LR61).

### Priority sequence for power supplies

When multiple power supplies are made available for use, they will be used in the following order of priority.

- ① 12 V power input
- ② 9 V power input
- ③ Square 9 V dry cell battery (6LR61)

---

## Inserting Batteries

### CAUTION

Danger of explosion if battery is incorrectly replaced.

Replace only with the same or equivalent type recommended by the manufacturer. When you dispose of the battery, you must obey the law in the relative area or country.

### ATTENTION

Il y a danger d'explosion s'il y a remplacement incorrect de la batterie. Remplacer uniquement avec une batterie du même type ou d'un type équivalent recommandé par le constructeur. Lorsque vous mettez la batterie au rebut, vous devez respecter la législation en vigueur dans le pays ou la région où vous vous trouvez.

### VORSICHT

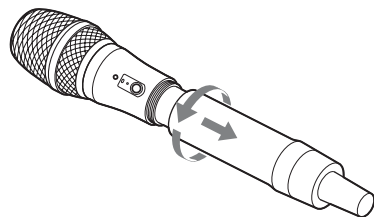
Explosionsgefahr bei Verwendung falscher Batterien. Batterien nur durch den vom Hersteller empfohlenen oder einen gleichwertigen Typ ersetzen. Wenn Sie die Batterie entsorgen, müssen Sie die Gesetze der jeweiligen Region und des jeweiligen Landes befolgen.

### Note

Replacing the batteries during operation will result in high noise. Be sure to turn off the unit before replacing the batteries.

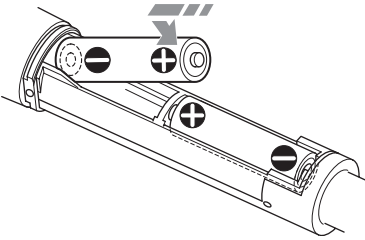
## Handheld microphone (ZTX-M01)

- 1 Press and hold the POWER/MUTING button to turn off the unit.
- 2 Turn the grip in the direction of the arrow, and pull down the grip until the battery compartment is shown.





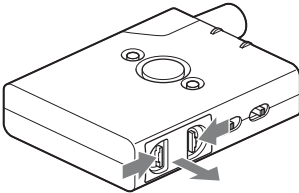
- 3 Insert two new LR6 (size AA) batteries while making sure the polarities are correct.



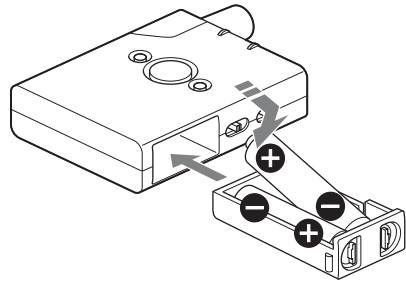
- 4 Close the grip and turn it in the reverse direction in the step 2 above.

### Body-pack transmitter (ZTX-B01)

- 1 Press and hold the POWER/MUTING button to turn off the unit.
- 2 Slide the battery-compartment catches inward (in the direction of the arrows → ←) to take out the compartment.

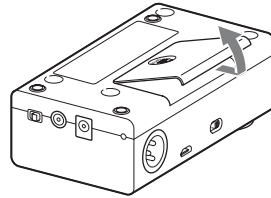


- 3 Insert two new LR6 (size AA) batteries into the battery compartment while making sure the polarities are correct, and then reinsert the compartment into the unit.

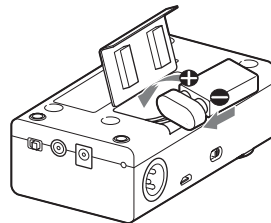


### Compact receiver (ZRX-C30)

- 1 Set the POWER switch to the OFF position to turn off the unit.
- 2 Slide open the battery compartment cover at the bottom of the device.



- 3 Connect the new square 9 V dry cell (6LR61) battery to the unit's battery snap while making sure the polarities are correct, and then insert the battery into the compartment.



- 4 Close the battery compartment.

---

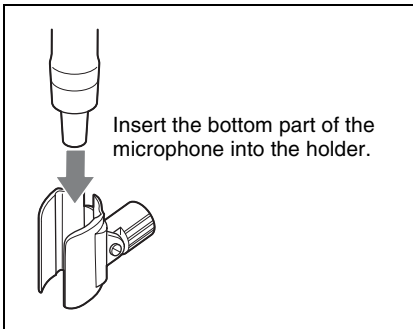
## Attaching the Supplied Accessories

This section describes how to attach the supplied accessories to each unit.

---

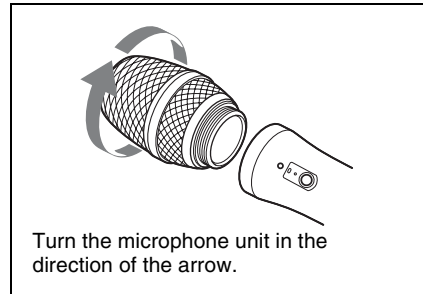
### Attaching the Supplied Accessories to the Handheld Microphone (ZTX-M01)

#### Attaching the microphone holder



### Replacing the microphone unit

#### To remove the microphone unit



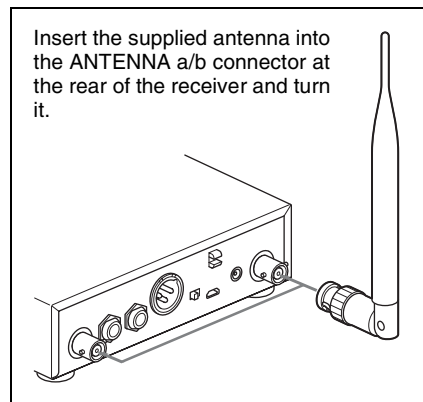
#### To attach the microphone unit

Turn the microphone unit in the opposite direction from when you removed it, and make sure that the unit is securely attached to the microphone.

---

### Attaching the Supplied Accessories to the Half-Rack Receiver (ZRX-HR50)

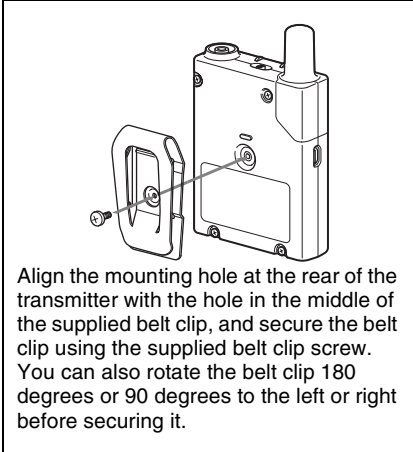
#### Attaching the antenna



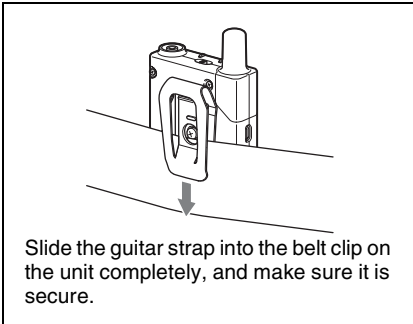
---

## Attaching the Supplied Accessories to the Body-Pack Transmitter (ZTX-B01)

### Attaching the belt clip



### To attach to a guitar strap



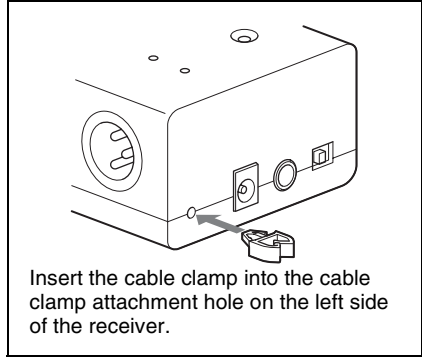
### Caution

Depending on the thickness and width of the strap, the belt clip may not attach securely.

---

## Attaching the Supplied Accessories to the Compact Receiver (ZRX-C30)

### Attaching the cable clamp



# Receiver Settings

## Half-Rack Receiver (ZRX-HR50)

Use the rotary encoder and the ESC button to configure settings on the ZRX-HR50 half-rack receiver. Perform setting operations as follows.

**Confirm:** Press the rotary encoder.

**Move cursor:** Turn the rotary encoder.

**Cancel:** Press the ESC button.

### Displaying the settings menu

Press the rotary encoder to display the [Setup] screen in the display.

To return to the main screen from the [Setup] screen, press the ESC button.

### Configuring the receiving channel settings

Two RF modes (channel modes), wide band and narrow band, are available on the DWZ.

Each RF mode consists of six channels.

Select the appropriate channel according to your intended use.

RF mode	Transmitting channel number	Description
Wide band (WIDE)	1/2/3/4/5/6	This mode reduces any interference to other wireless equipment.
Narrow band (NARROW)	a/b/c/d/e/f	This mode uses the Clear Channel Scan function, making it useful for avoiding any interference from other wireless equipment.

### Caution

When using multiple channels (up to six), the two RF modes, wide band and narrow band, cannot be used simultaneously. Select only one RF mode during use.

### To select the RF mode

**1** In the [Setup] screen, select [Advanced Settings].

**2** Select [RF Mode Settings].

The [RF Mode Settings] screen appears.

**3** Select [Wide Band] or [Narrow Band].

When the configuration is complete, the main screen appears again.

## To select the channel

- 1 In the [Setup] screen, select [Channel Setup].

The [Channel Setup] screen appears.

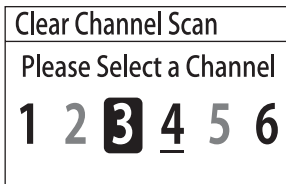
- 2 Specify the channel using one of the following methods.

**A** Select [Best Channel Selection]

The channel with the least interference will be configured automatically.

**B** Select [Clear Channel Scan]

The status of all the channels in the selected RF mode will be displayed, allowing you to select the channel you want to use. If there are no open channels, “No Clear Channel” appears.



Display	Status
White font (underlined)	Channel with low interference.
White font	Channel with relatively low interference.
Gray font	Channel with high interference, or channel that is being used by another device.
“No Clear Channel”	No usable channels available.

**C** Select [Manual Setup]

Configure the channel manually.  
Select the channel you want to use.

This completes the configuration, and the main screen appears again.

### Caution

If you change the channel setting, be sure to change the channel setting on the transmitter to the same channel. If the receiver channel and transmitter channel are not identical, audio will not be output.

## Configuring the equalizer

- 1 In the [Setup] screen, select [Audio Setup].

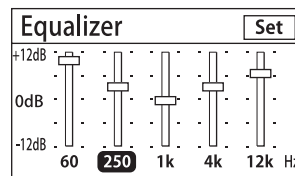
The [Audio Setup] screen appears.

- 2 Select [Equalizer].

The [Equalizer] screen appears.

- 3 Select [ON] to enable the equalizer function, or [OFF] to disable it.

If you select [ON], the equalizer settings screen appears.



If you select [OFF], configuration is complete and the main screen appears again.

- 4 Select the frequency for which you want to adjust the level, and adjust the setting.

## 5 Select [Set].

The setting value is saved.

To cancel the setting, press the ESC button.

## Configuring the transmitter muting function for the UNBALANCED OUTPUT TUNER/AUX connector

You can select whether the muting function of the transmitter will be applied to the audio output of the UNBALANCED OUTPUT TUNER/AUX (external audio output) connector.

### Caution

The audio output from the UNBALANCED OUTPUT TUNER/AUX connector will continue, even if the muting function of the transmitter is enabled. To disable the audio output from the UNBALANCED OUTPUT TUNER/AUX connector, enable the TX Muting function.

### 1 In the [Setup] screen, select [Audio Setup].

The [Audio Setup] screen appears.

### 2 Select [AUX/Tuner Out Settings].

The [AUX/Tuner Out Settings] screen appears.

### 3 Select whether to enable the muting function.

**TX Muting Valid:** Enables the TX Muting function. The audio output from the connector is disabled when the muting function of the transmitter is enabled.

**TX Muting Invalid:** Disables the TX Muting function. The audio output from the connector will continue,

regardless of whether the muting function of the transmitter is enabled or disabled.

This completes the configuration, and the main screen appears again.

## Configuring the battery type

Specify the type of battery that is being used in the transmitter so that the transmitter's remaining battery charge can be displayed properly on this unit.

### 1 In the [Setup] screen, select [Advanced Settings].

### 2 Select [Battery Type].

### 3 Select the battery type.

**Alkaline:** Alkaline dry cell batteries are being used in the transmitter.

**Ni-MH:** Rechargeable nickel-metal hydride batteries are being used in the transmitter.

**Lithium:** Lithium batteries are being used in the transmitter.

This completes the configuration, and the main screen appears again.

---

## Compact Receiver (ZRX-C30)

### Configuring the RF mode and receiving channel

Two RF modes (channel modes), wide band and narrow band, are available on the DWZ.

Each RF mode consists of six channels. Select the appropriate channel according to your intended use.

RF mode	Transmitting channel number	Description
Wide band (WIDE)	1/2/3/4/5/6	This mode reduces any interference to other wireless equipment.
Narrow band (NARROW)	a/b/c/d/e/f	This mode reduces any interference from other wireless equipment.

### Caution

When using multiple channels (up to six), the two RF modes, wide band and narrow band, cannot be used simultaneously. Select only one RF mode during use.

- 1** Set the RF MODE (RF mode selection) switch to WIDE or NARROW.
- 2** Turn the CHANNEL (channel selection) switch to set the receiving channel.

### Caution

If you change the channel setting, be sure to change the channel setting on the transmitter to the same channel. If the receiver channel and transmitter channel are not identical, audio will not be output.

## Configuring the cable tone generator

The cable tone generator is a function that modifies sound properties to simulate the quality of a wired cable connection. You can simulate the sound quality of a cable that is 1 m to 25 m in length by setting the CABLE TONE switch to the corresponding number (m).

**Supposed cable length (m):** OFF/1/3/5/8/12/18/25

---

# Transmitter Settings

---

## Configuring the Transmitting Channel Settings

Two RF modes (channel modes), wide band and narrow band, are available on the DWZ.

Each RF mode consists of six channels. Select the appropriate channel according to your intended use.

RF mode	Transmitting channel number	Description
Wide band (WIDE)	1/2/3/4/5/6	This mode reduces any interference to other wireless equipment.
Narrow band (NARROW)	a/b/c/d/e/f	This mode uses the Clear Channel Scan function, making it useful for avoiding any interference from other wireless equipment.

### Caution

When using multiple channels (up to six), the two RF modes, wide band and narrow

band, cannot be used simultaneously. Select only one RF mode during use.

## Selecting the RF mode

- 1 Press and hold the POWER/MUTING button to turn off the unit.
- 2 Press and hold the POWER/MUTING button (about 1 second) while holding down the channel selection button.  
“0” blinks in the channel display.
- 3 Press the channel selection button to select “1” or “a.”
- 4 Press the POWER/MUTING button.

## Selecting the channel

- 1 Press and hold the channel selection button while the unit is turned on.  
The channel display blinks.
- 2 Press the channel selection button to select the channel.
- 3 Press and hold the channel selection button to apply the channel selection.

### Caution

If you change the channel setting on the transmitter, be sure to change the channel setting on the receiver to the same channel. If the receiver channel and transmitter channel are not identical, audio will not be output.

---

## Channel Display

Each channel will appear as follows in the transmitter’s channel display.

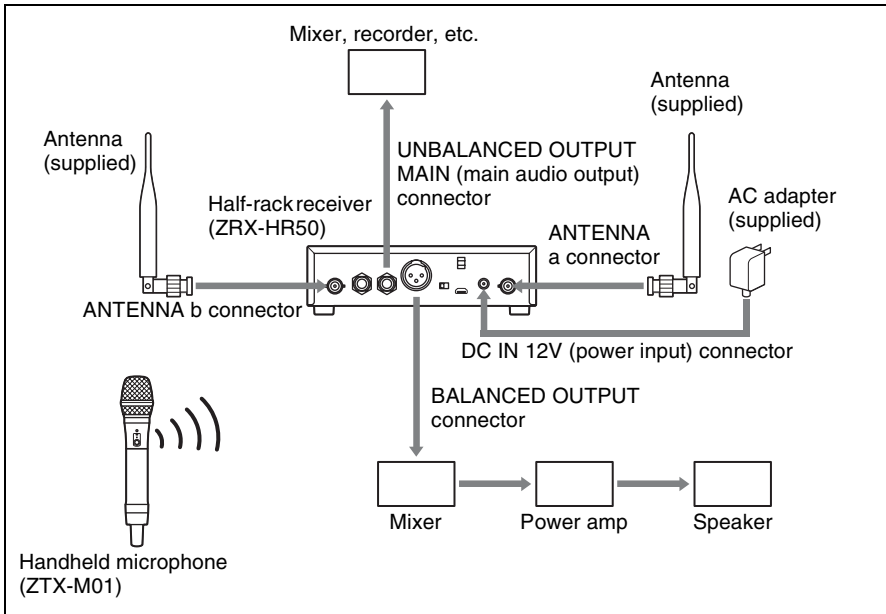


RF mode	Channel number		
Wide band (WIDE)	1 1	2 2	3 3
	4 4	5 5	6 6
Narrow band (NARROW)	a a	b b	c c
	d d	e e	f f

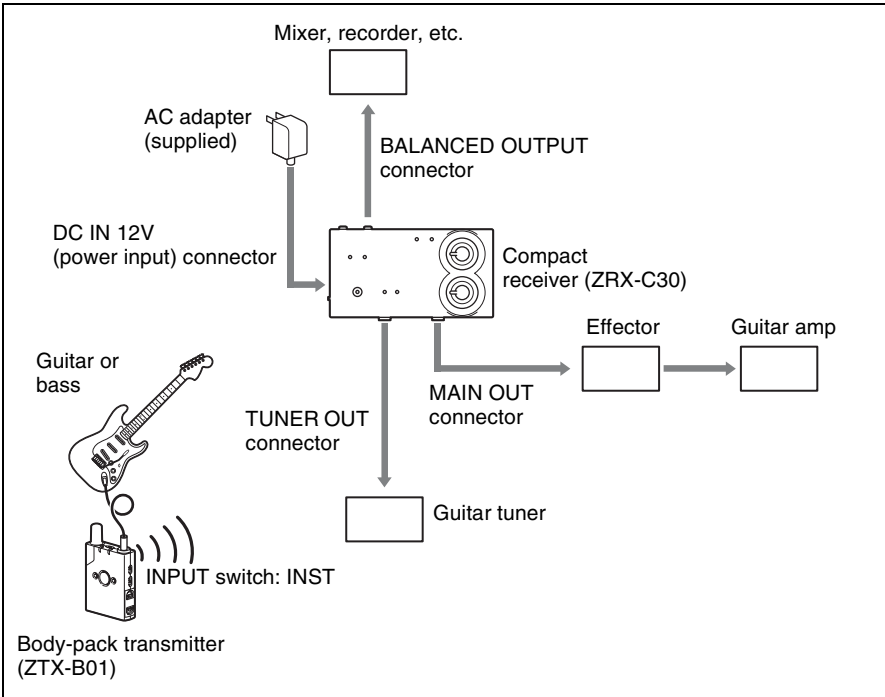
# System Configuration Examples

The following system configuration examples are of the DWZ series.

## Configuration Examples for the DWZ-M50



# Configuration Example for the DWZ-B30GB



# Troubleshooting

Check the following if problems occur.  
Should any problem persist, consult your Sony dealer.

Symptom	Meanings	Remedy
The unit does not turn on.	The polarity orientation of the batteries in the battery compartment is incorrect.	Insert the batteries with the correct polarity orientation.
	The batteries are exhausted.	Replace the batteries with new ones.
	Button operations are locked.	Set the button lock switch to UNLOCK.
The batteries drain quickly.	The batteries are exhausted.	Replace the batteries with new ones.
	Manganese batteries are being used.	Use alkaline batteries. The battery life of a manganese battery is less than half that of an alkaline battery.
	The unit is being used under cold conditions.	The batteries drain quickly under cold conditions.
There is no sound.	The RF mode or channel setting on the transmitter is different from that on the receiver.	Use the same RF mode and channel setting on both the transmitter and the receiver.
The sound is weak.	The attenuation level on the transmitter is too high.	The input level is low. Set the attenuation level on the transmitter to the appropriate level.
	The output level of the receiver does not match the input level setting of the connected device.	Set the MIC/LINE selector according to the input level of the connected device (ZRX-HR50).

Symptom	Meanings	Remedy
The sound is distorted.	The attenuation level of the transmitter is too low.	The audio input level is too high. Set the attenuation level on the transmitter to a level where sound is not distorted.
	The transmitter is set to MIC input.	The audio input level is too high. Specify INST input.
	The output level of the receiver does not match the input level setting of the connected device.	Set the MIC/LINE selector according to the input level of the connected device (ZRX-HR50).
Noise occurs.	The transmitter and receiver are far away from each other.	Shorten the distance between the transmitter and receiver until audio breakup does not occur.
	Signal interference from other devices is occurring.	Change the selected channel, or move the devices that are causing interference away from the unit.
The service area (i.e., operating range) is small.	Two or more transmitters are set to the same channel.	Do not use the same channel for more than one transmitter.
	The antenna is not attached to the receiver.	Attach the supplied antenna.
	Wide band and narrow band are being used simultaneously.	When using multiple channels simultaneously, use channels from a single RF mode, either wide mode or narrow mode.
The audio quality is abnormal.	The cable tone generator setting is incorrect.	Set the cable tone generator to a suitable setting (ZRX-C30).
	The equalizer setting is incorrect.	Set the equalizer to a suitable setting (ZRX-HR50).
The unit does not turn off when the POWER switch is pressed.	Button operations are locked.	Set the button lock switch to UNLOCK.
	The RF mode is being configured.	The unit cannot be turned off while RF mode configuration is in progress (ZTX-M01/B01).
Channels cannot be changed.	Button operations are locked.	Set the button lock switch to UNLOCK.
	The settings menu is not open.	Follow the instructions in <i>“Displaying the settings menu”</i> and <i>“Configuring the receiving channel settings”</i> (page 28) to configure settings (ZRX-HR50).

<b>Symptom</b>	<b>Meanings</b>	<b>Remedy</b>
The RF indicator on the receiver lights even when the transmitter is off.	Interference is being received.	Set the receiver to a channel for which the RF indicator does not light, and then set the transmitter to the same channel.

---

# Important Notes on Use

The operating range of the 2.4 GHz band used by the units may be reduced and noise may occur due to interference from the operating environment or from other wireless stations. In such cases, moving the units away from other wireless stations or changing the channel may resolve the problem.

- If other wireless stations are being used nearby, distance the units from the stations as much as possible, or change the channel or RF mode being used.
- If this does not resolve the problem, try turning off the other wireless stations (i.e., stopping their radio signals) one by one.

## Caution

To prevent audio noise caused by interference from other transmitters or by excessive RF inputs, maintain a distance of at least 30 cm between the transmitter and the receiver.

---

## Usage and Storage

- Operating the DWZ series components near electrical equipment (motors, transformers, or dimmers) may cause it to be affected by electromagnetic induction. Keep the DWZ series components as far from such equipment as possible.
- The presence of the lighting equipment may produce electrical interference over the entire frequency range. Position the DWZ series components so that interference is minimized.

---

## Cleaning

Clean the surface and the connectors of the DWZ series components with a dry, soft cloth. Never use thinner, benzene, alcohol or any other chemicals, since these may mar the finish.

### To prevent electromagnetic interference from portable communication devices

The use of portable telephones and other communication devices near the DWZ series components may result in malfunction and interference with audio signals. It is recommended that portable communication devices near the DWZ series components be turned off.

# Specifications

Design and specifications are subject to change without notice.

## Note

Always verify that the unit is operating properly before use. SONY WILL NOT BE LIABLE FOR DAMAGES OF ANY KIND INCLUDING, BUT NOT LIMITED TO, COMPENSATION OR REIMBURSEMENT ON ACCOUNT OF THE LOSS OF PRESENT OR PROSPECTIVE PROFITS DUE TO FAILURE OF THIS UNIT, EITHER DURING THE WARRANTY PERIOD OR AFTER EXPIRATION OF THE WARRANTY, OR FOR ANY OTHER REASON WHATSOEVER.

## DWZ-M50

Carrier frequencies

2402.0 MHz to 2478.5 MHz

Occupied RF bandwidth

2.5 MHz

Type of emission

F1D and F1E

Modulation method

GFSK

Operating temperature

0 °C to 50 °C (32 °F to 122 °F)

Storage temperature

-20 °C to +60 °C (-4 °F to +140 °F)

## Handheld microphone (ZTX-M01)

RF output level

10 mW (e.i.r.p.)

Antenna

$\lambda/4$  monopole antenna

Microphone type

Dynamic: unidirectional

Frequency response

Transmission: 10 Hz to 22 kHz

Microphone unit: 70 Hz to 16 kHz

Maximum input level

142 dB SPL (when attenuator level is 12 dB)

Dynamic range

102 dB (A-weighted)

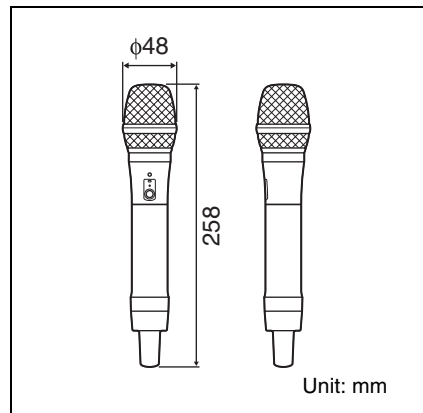
Power requirements

3.0 V DC (two LR6 (size AA) alkaline dry cell batteries)

Battery life

Approx. 10 hours of continuous use (25 °C (77 °F) ambient temperature, Sony LR6 (size AA) alkaline dry cell batteries)

Dimensions



$\phi 48 \times 258$  mm ( $1 \frac{15}{16} \times 10 \frac{1}{4}$  inches) (diameter/length)

Mass Approx. 305 g (11 oz.) (including batteries)

## Half-rack receiver (ZRX-HR50)

Reception type

Space diversity



ANTENNA a/b connector  
 BNC-R, 50 Ω

Frequency response  
 10 Hz to 22 kHz

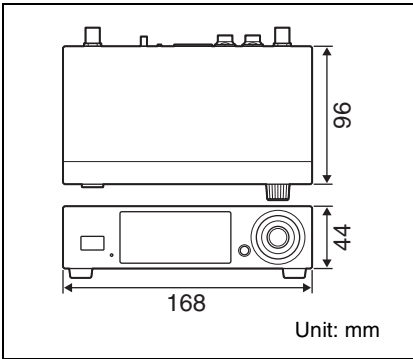
Maximum output level  
 Balanced Output  
 MIC: -22 dBu  
 LINE: +24 dBu  
 Unbalanced Output: +8 dBu

Reference output level  
 Balanced Output  
 MIC: -58 dBu  
 LINE: -12 dBu  
 Unbalanced Output: -28 dBu

Power requirements  
 External DC input: 12 V DC

Consumption current (during 12 V DC input)  
 220 mA

Dimensions



168 × 44 × 96 mm ( $6\frac{5}{8} \times 1\frac{3}{4} \times 3\frac{7}{8}$  inches) (w/h/d)

Mass Approx. 510 g (1 lb. 2.0 oz.)

Modulation method  
 GFSK

Operating temperature  
 0 °C to 50 °C (32 °F to 122 °F)

Storage temperature  
 -20 °C to +60 °C (-4 °F to +140 °F)

## Body-pack transmitter (ZTX-B01)

RF output level  
 10 mW (e.i.r.p.)

Antenna  
 $\lambda/4$  monopole antenna

Frequency response  
 10 Hz to 22 kHz

Maximum input level  
 MIC: -22 dBu  
 INST: +8 dBu  
 (when attenuator level is 0 dB)

Reference input level  
 MIC: -58 dBu  
 INST: -28 dBu  
 (when attenuator level is 0 dB)

Dynamic range  
 MIC: 102 dB (A-weighted)  
 INST: 98 dB (A-weighted)

Power requirements  
 3.0 V DC (two LR6 (size AA)  
 alkaline dry cell batteries)

Battery life  
 Approx. 10 hours of continuous use  
 (25 °C (77 °F) ambient  
 temperature, Sony LR6 (size  
 AA) alkaline dry cell batteries)

---

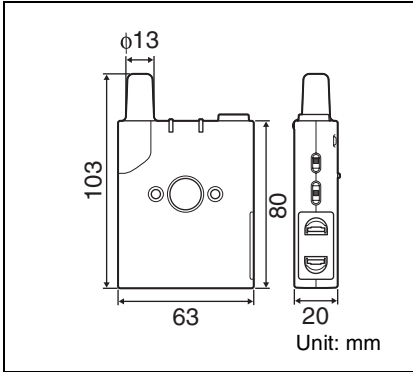
## DWZ-B30GB

Carrier frequencies  
 2402.0 MHz to 2478.5 MHz

Occupied RF bandwidth  
 2.5 MHz

Type of emission  
 F1D and F1E

## Dimensions



63 × 80 × 20 mm ( $2\frac{1}{2} \times 3\frac{1}{4} \times 1\frac{3}{16}$  inches) (w/h/d) (excluding the antenna)

Mass Approx. 156 g (5.5 oz.) (including batteries)

## Compact receiver (ZRX-C30)

### Reception type

Space diversity

### Antenna

Internal  $\lambda/4$  monopole antenna

### Frequency response

10 Hz to 22 kHz

### Maximum output level

Balanced Output: +16 dBu

Main/Tuner Output: +8 dBu

### Reference output level

Balanced Output: -20 dBu

Main/Tuner Out: -28 dBu

### Power requirements

External DC input: 12 V DC / 9 V DC

Dry cell battery: Square 9 V alkaline dry cell battery (6LR61)

### Consumption current

During 12 V DC input: 90 mA

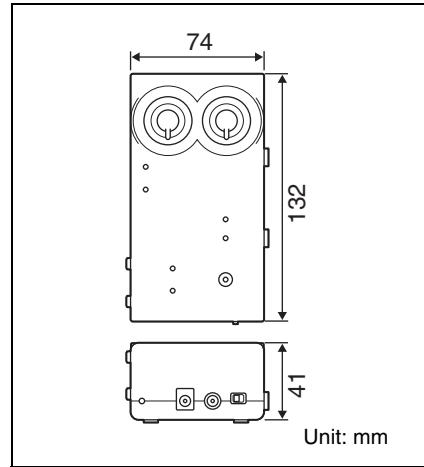
During 9 V DC input: 120 mA

### Battery life

Approx. 3.5 hours of continuous use (25 °C (77 °F) ambient

temperature, Sony square 9 V alkaline dry cell battery)

## Dimensions



132 × 41 × 74 mm ( $5\frac{1}{4} \times 1\frac{5}{8} \times 3$  inches) (w/h/d)

Mass Approx. 205 g (7.2 oz.)



<http://www.sony.net/>

Sony Corporation  
Printed in Korea