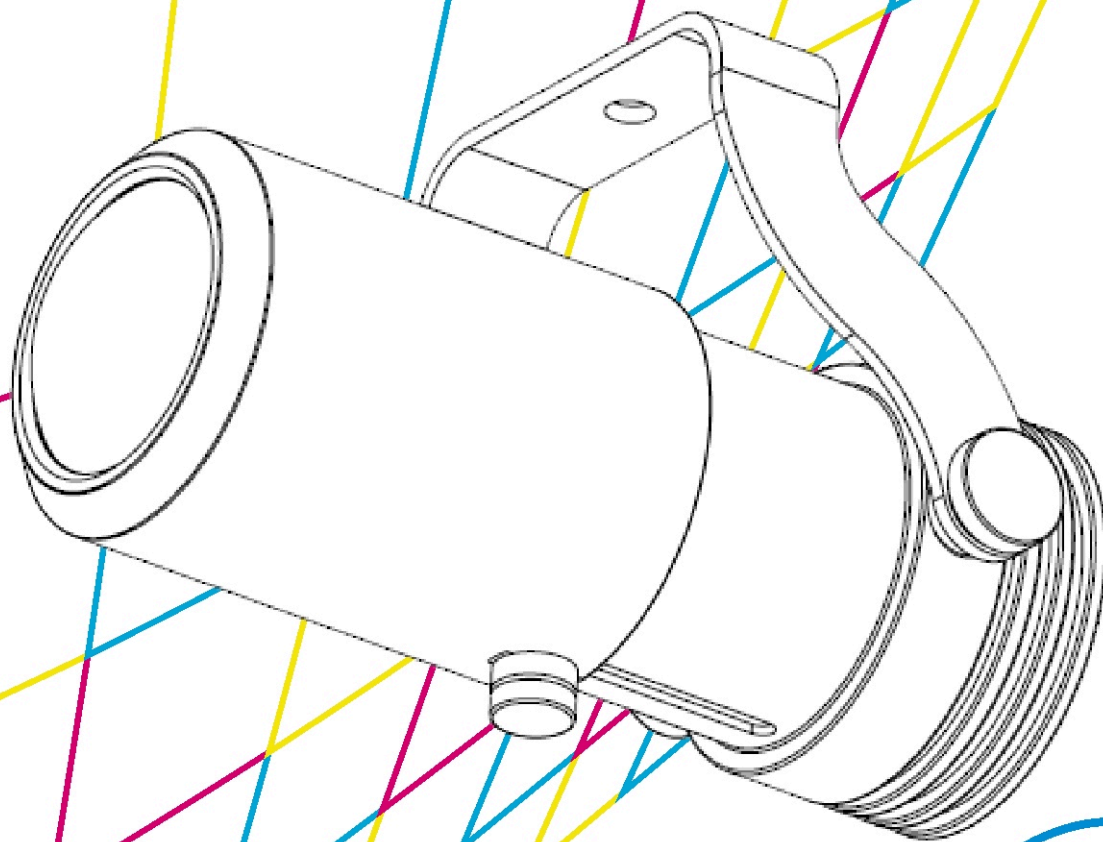


FOCUS SOLO ZOOM FC



User's Manual rel 1.0 **GB**

D.T.S. Illuminazione srl - ITALY
<http://www.dts-lighting.it>



The Lighting Company

Made in Italy

Le informazioni contenute in questo documento sono state attentamente redatte e controllate. Tuttavia non è assunta alcuna responsabilità per eventuali inesattezze. Tutti i diritti sono riservati e questo documento non può essere copiato, fotocopiato, riprodotto per intero o in parte senza previo consenso scritto della D.T.S .

D.T.S si riserva il diritto di apportare senza preavviso cambiamenti e modifiche estetiche , funzionali o di design a ciascun proprio prodotto. D.T.S non assume alcuna responsabilità sull'uso o sull'applicazione dei prodotti o dei circuiti descritti.

The information contained in this publication has been carefully prepared and checked. However, no responsibility will be taken for any errors. All rights are reserved and this document cannot be copied, photocopied or reproduced, in part or completely, without prior written consent from D.T.S. D.T.S. reserves the right to make any aesthetic, functional or design modifications to any of its products without prior notice. D.T.S. assumes no responsibility for the use or application of the products or circuits described herein.

Les informations contenues dans le présent manuel ont été rédigées et contrôlées avec le plus grand soin. Nous déclinons toutefois toute responsabilité en cas d'éventuelles inexactitudes. Tous droits réservés. Ce document ne peut être copié, photocopié ou reproduit, dans sa totalité ou partiellement, sans le consentement préalable de D.T.S.

D.T.S. se réserve le droit d'apporter toutes modifications et améliorations esthétiques, fonctionnelles ou de design, sans préavis, à chacun de ses produits. D.T.S. décline toute responsabilité sur l'utilisation ou sur l'application des produits ou des circuits décrits.

Las informaciones contenidas en este documento han sido cuidadosamente redactadas y controladas. Con todo, no se asume ninguna responsabilidad por eventuales inexactitudes. Todos los derechos han sido reservados y este documento no puede ser copiado, fotocopiado o reproducido, total o parcialmente, sin previa autorización escrita de D.T.S.

D.T.S. se reserva el derecho a aportar sin previo aviso cambios y modificaciones de carácter estético, funcional o de diseño a cada producto suyo. D.T.S. no se asume responsabilidad de ningún tipo sobre la utilización o sobre la aplicación de los productos o de los circuitos descritos.

TECHNICAL FEATURES

D.T.S. Product codes:

03.LCB009E20FC99 FOCUS SOLO ZOOM FC grey glitter finishing
03.LCB009E80FC99 FOCUS SOLO ZOOM FC gold finishing

LED technology

1 x FULL RGBW LED
Total lumens output: 429 lm
LEDs average lifespan: 75.000 hours (70% lumen output)

Optical group

3,5° - 52° linear manual zoom

Control system

DMX 512 - RDM control

DMX

4 DMX Channels

Protection

IP20 protection level against the penetration of solids and liquids

Construction

FOCUS SOLO ZOOM FC is made on aluminium and stainless steel

Power supply

External 12-48Vdc range PSU (10W min. power each unit connected)
Electronic full-range 90-260Vac , 50/60 Hz

Connection

4 poles cable (1 m length) for 12-48Vdc IN and DMX IN

Operating ambient temperature

-10° / 40°

Weight

0,94 Kg

International certifications

Cerfication CE
LED Class: Class 2 LED product

MAIN ELECTRICAL CHARACTERISTICS

Input Voltage Range : Vin 12-48Vdc

Power Consumption : 10W

Output:

Power Output Range : 4 channels output 2W per channel

Output Current : 670 mA @ 100% per channel

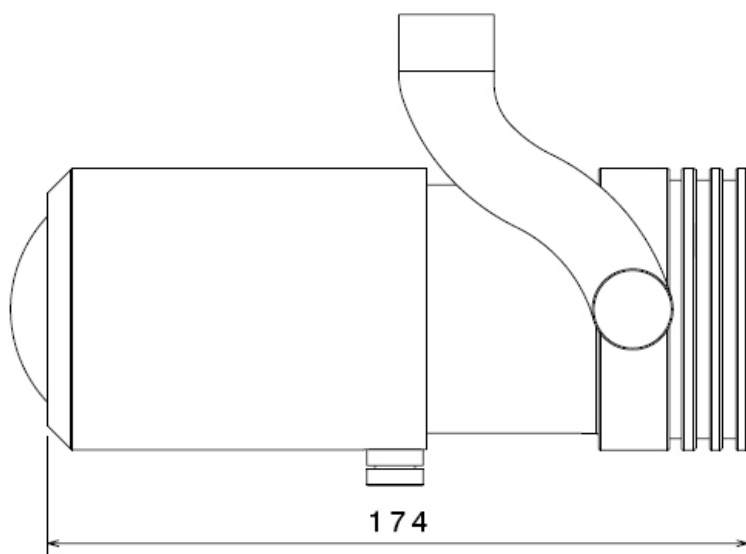
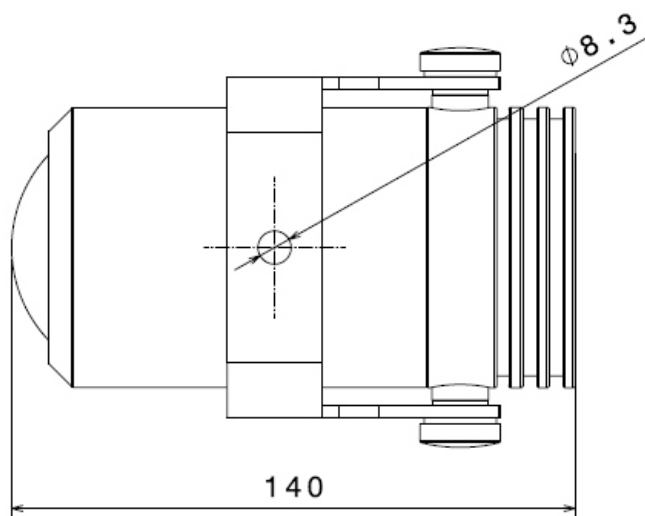
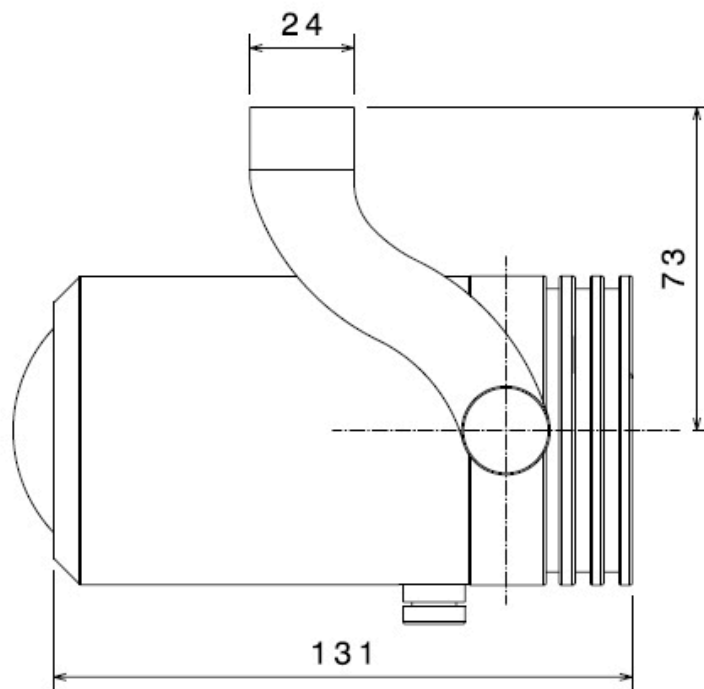
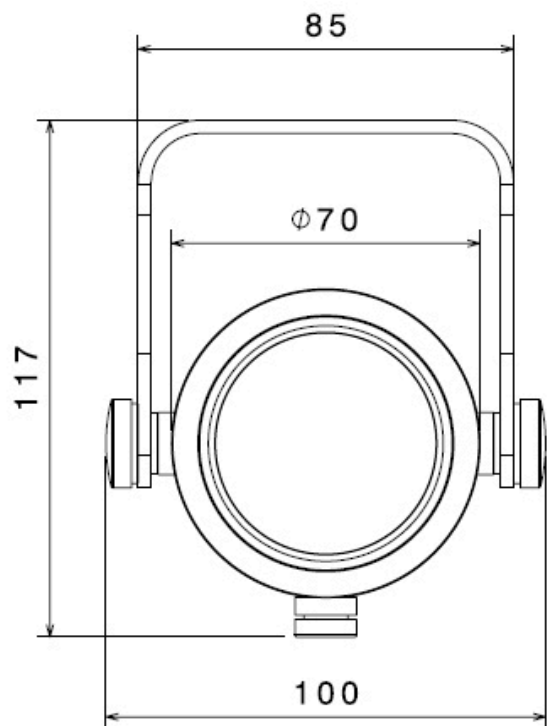
Control Input:

Control Signal : DMX 512

Dimming System : Constant Current PWM

Address Range : DMX 512 channels addressable by remote control DLC901

UNIT DIMENSIONS



IMPORTANT SAFETY INFORMATION

Fire prevention:

It is permissible to place the unit on normally flammable surfaces.

Suitable for mounting on normally flammable materials surfaces greater than 200°C with some combustion time lag.

Prevention from electric shock:

The use of a thermal magnetic circuit breaker is recommended for each external 12-48Vdc range PSU connected to the FOCUS SOLO ZOOM FC unit.

Safety:

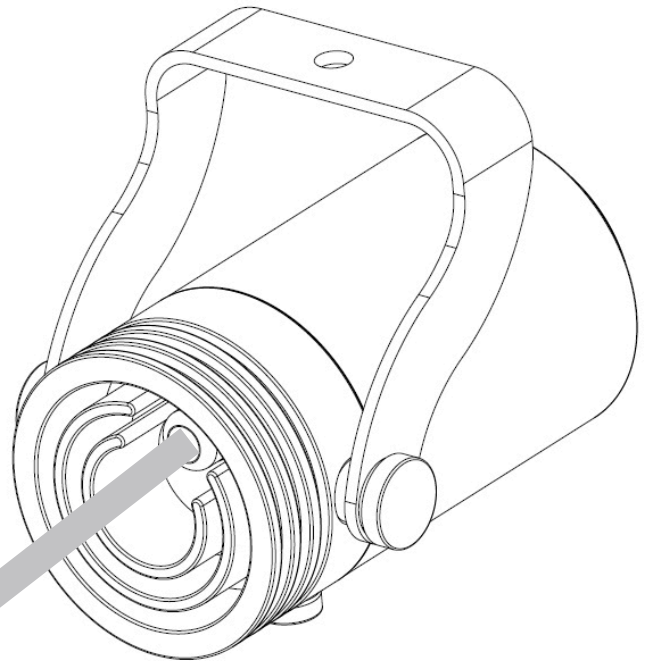
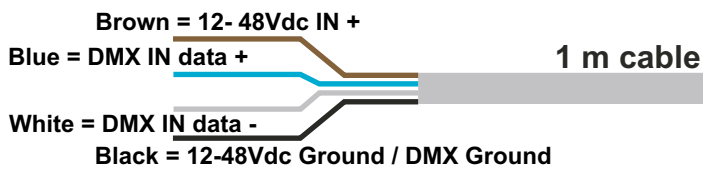
The external surface of the unit may exceed 50°C; never handle the unit until at least 5 minutes have elapsed since the unit was turned off.

The ambient temperature should not exceed 40°C and should not be lower than -10°C.

INPUT CONNECTIONS

4 x 0,25 sq mm multipolar cable (1 m length) for 12-48Vdc IN and DMX IN.

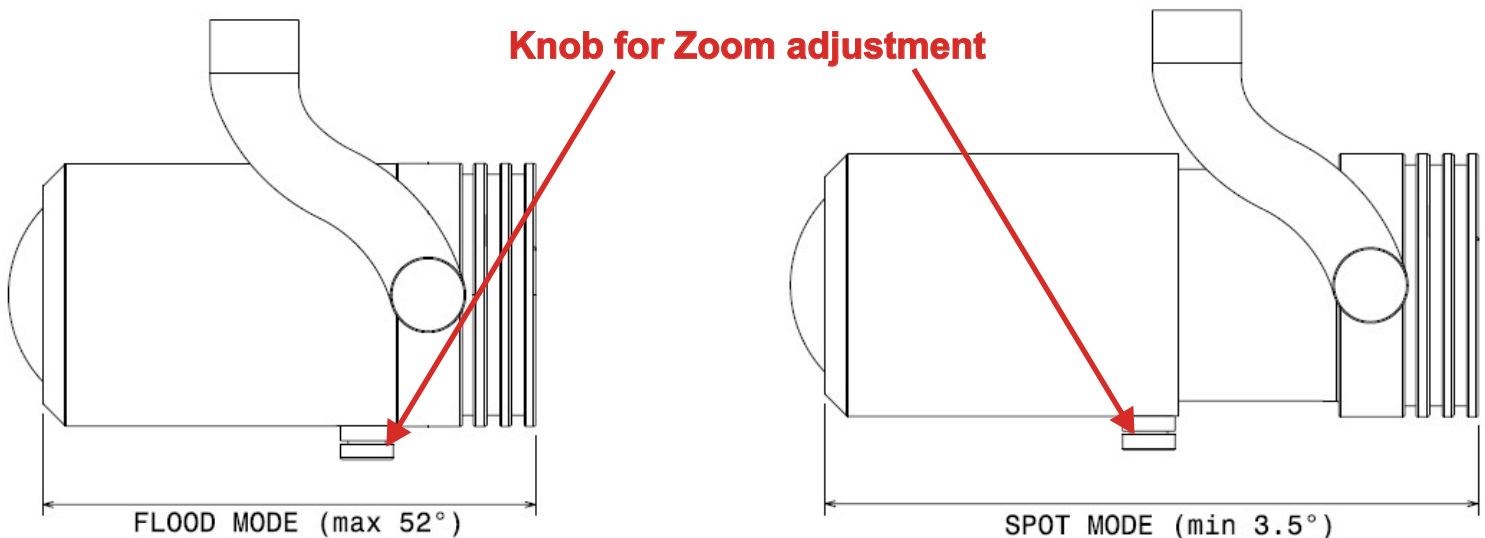
Brown = 12-48Vdc IN +
Black = 12-48Vdc Ground and DMX Ground
Blue = DMX IN data +
White = DMX IN data -



FOCUS SOLO ZOOM FC

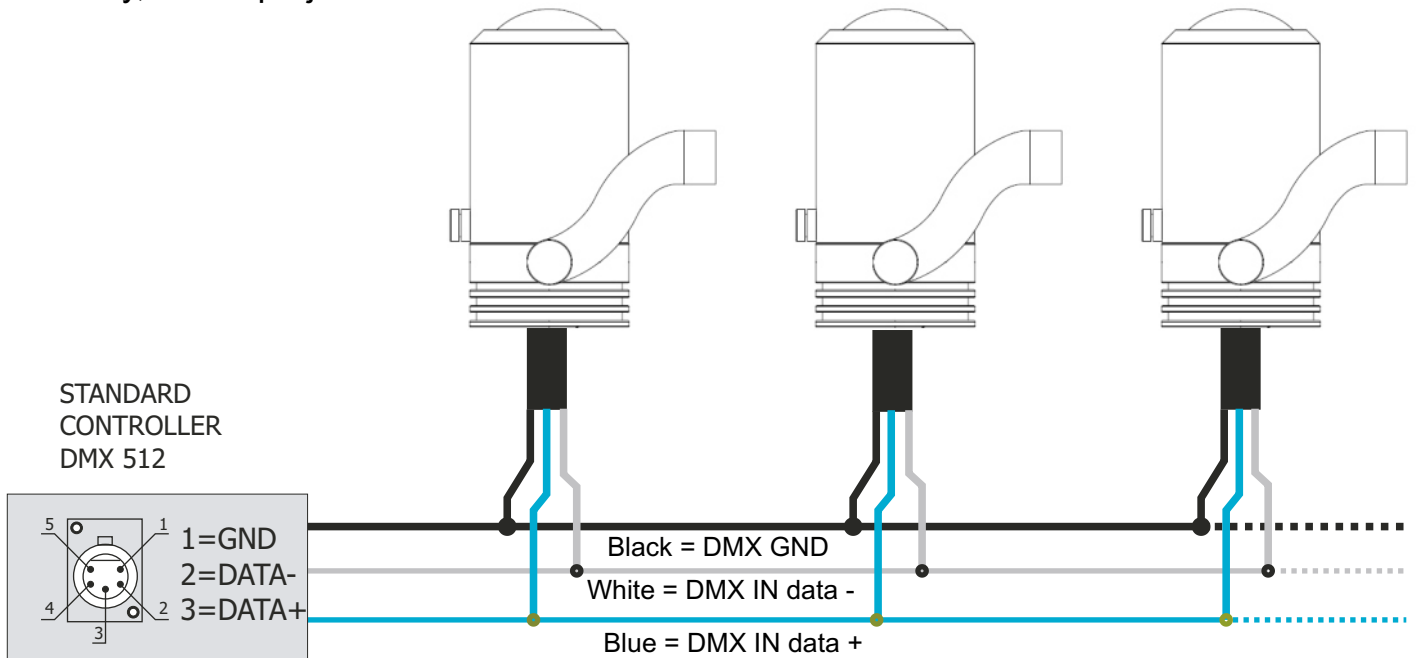
MANUAL ZOOM ADJUSTMENT

FOCUS SOLO ZOOM FC has 3,5° - 52° range linear manual zoom.



DMX SIGNAL CONNECTION

FOCUS SOLO ZOOM FC operates using the digital DMX 512 signal. Connection between the mixer and the projector or between projectors must be carried out using a two pair screened \varnothing 0.5 mm cable. Ensure that the conductors do not touch each other. Connect the mixer signal to the DMX IN projector cables and connect it to the next projector by connecting the DMX IN projector cables of the second one. This way, all the projectors are cascade connected.

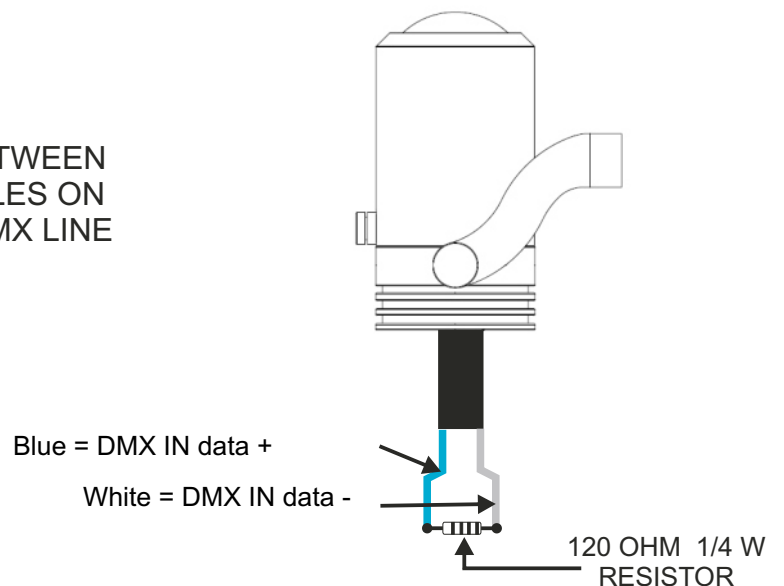


For installations where long distance DMX cable connections are needed, we suggest to use a DMX terminator.

The DMX terminator is a 120 ohm 1/4 W resistor placed between DMX signal + and DMX signal - cables.

The DMX terminator must be applied on the last unit of the DMX line.

PLACE A 120 OHM 1/4 W RESISTOR BETWEEN
DMX SIGNAL + AND DMX SIGNAL - CABLES ON
THE LAST UNIT CONNECTED TO THE DMX LINE



By using the remote control DLC901 (D.T.S. Code 03.LA.063.1) it will be possible to set the DMX address and visualize different datas on FOCUS SOLO ZOOM FC projectors. Please note that no DMX splitters must be connected between DLC901 REMOTE CONTROL and FOCUS SOLO ZOOM FC projectors on the DMX line because this will stop the bidirectional communication between REMOTE CONTROL and FOCUS SOLO ZOOM FC units.

DMX ADDRESS

FOCUS SOLO ZOOM FC operates at 4 DMX channels MODE.

DMX channel 1 = RED, DMX channel 2 = GREEN, DMX channel 3 = BLUE,
DMX channel 4 = WHITE.

If you want to control different FOCUS SOLO ZOOM FC units (on the same DMX line) separately, set the following addresses on the mixer:

Projector 1	A001
Projector 2	A005
Projector 3	A009
Projector 4	A013
Projector 5	A017
.....	A....
projector 7	A025

Selecting the DMX address

By using the remote control DLC901 (D.T.S. Code 03.LA.063.1) it will be possible to set the DMX address and visualize different datas on FOCUS SOLO ZOOM FC projectors.

(Please note that no DMX splitters must be connected between DLC901 REMOTE CONTROL and FOCUS SOLO ZOOM FC projectors on the DMX line because this will stop the bidirectional communication between REMOTE CONTROL and units)

DLC901 DMX remote control setting procedure for FOCUS SOLO units:

- 1- Connect the DLC901 to the DMX line
- 2- Be shure that all the FOCUS SOLO ZOOM FC units are turned ON
- 3- Turn ON the DLC901
- 4- Select "DeviceList" menu and press ENTER
- 5- On DLC901 are shown the connected FOCUS SOLO ZOOM FC units (the one selected will be turned ON while all the others will remain OFF).
- 6- With UP and DOWN buttons select "Address" menu and press ENTER.
- 7- Now it will be possible to assign the desired DMX address to the selected FOCUS SOLO ZOOM FC unit (by using UP, DOWN, ENTER, BACK buttons).
- 8-Repeat Steps 4 - 7 for all FOCUS SOLO ZOOM FC units connected on the DMX line.

(Please refer to the dedicated DLC901 User's manual for Setting details)

NOTE:

FOCUS SOLO ZOOM FC do have 3 different operating mode (selectable by user via DLC 901 under "AUTO" menu) when not connected to DMX line.

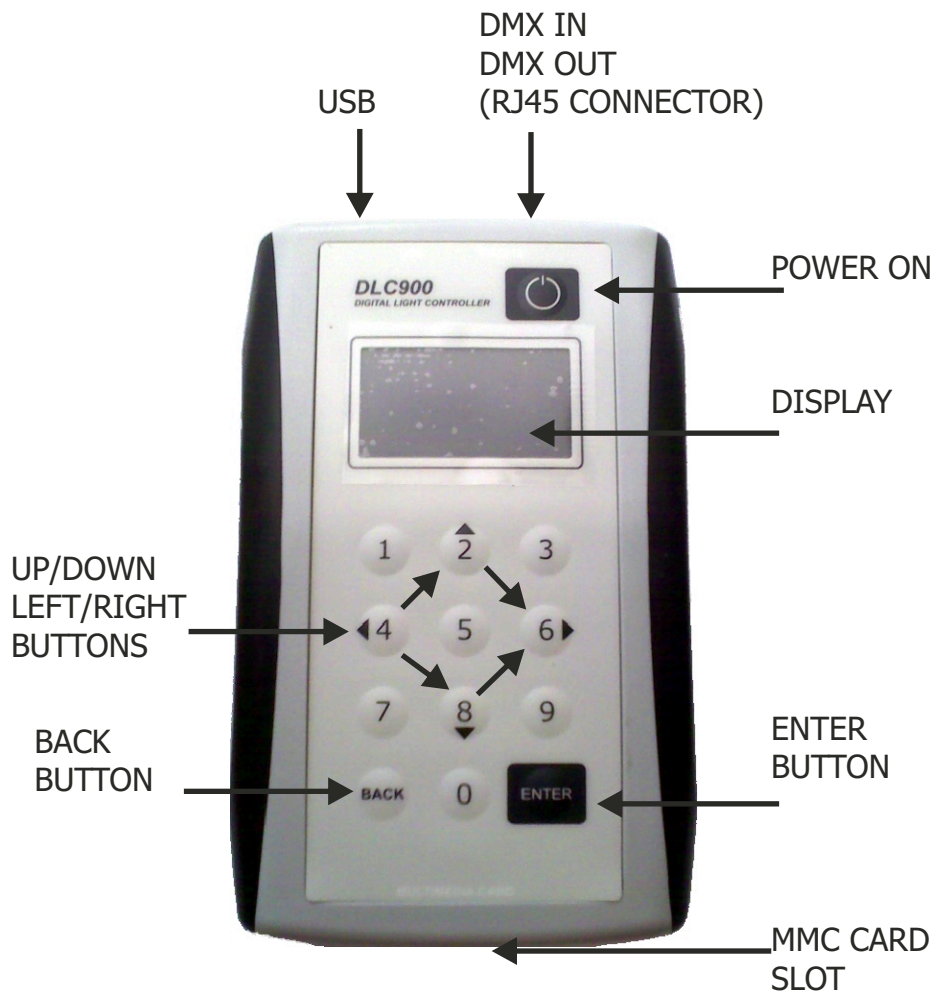
Option 1 = RGBW channels at 0% (OFF) if no DMX availalbe

Option 2 = RGBW channel at 60% intensity if no DMX available (Default)

Option 3 = RGBW channel at 100% intensity if no DMX available

FOCUS SOLO ZOOM FC REMOTE CONTROL DLC901

DLC901 Remote control (D.T.S. Code 03.LA.063.1)

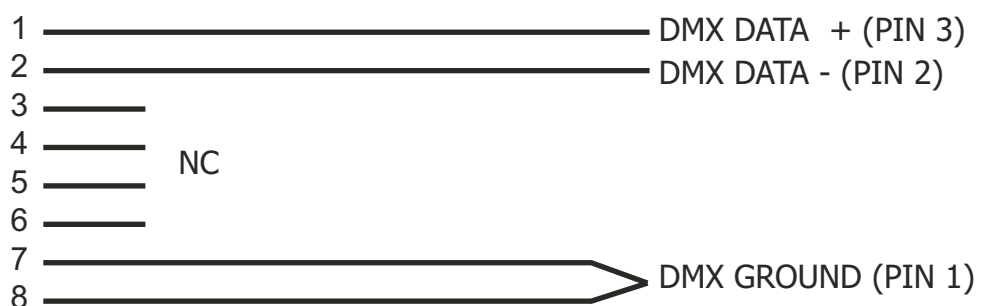
**DMX IN / OUT (RJ45 CONNECTOR) PINOUT**

1 = DMX DATA +
 2 = DMX DATA -
 3/4/5/6 = NC
 7/8 = DMX GROUND

RJ45 MALE / DMX 5 POLES FEMALE CABLE CONNECTOR PINOUT (INCLUDED IN THE BOX)

RJ45 MALE

DMX 5 POLES FEMALE



DMX PROTOCOL

FOCUS SOLO ZOOM FC

4 CHANNELS MODE

- 1 RED**
- 2 GREEN**
- 3 BLUE**
- 4 WHITE**

DMX CHANNEL	1	Parameter: RED			
-------------	----------	-----------------------	--	--	--

DMX range Value	Mid point DMX value	Move range (degrees)	Mode	Option	Function
0-255					Proportional colour from Min to Max

DMX CHANNEL	2	Parameter: GREEN			
-------------	----------	-------------------------	--	--	--

DMX range Value	Mid point DMX value	Move range (degrees)	Mode	Option	Function
0-255					Proportional colour from Min to Max

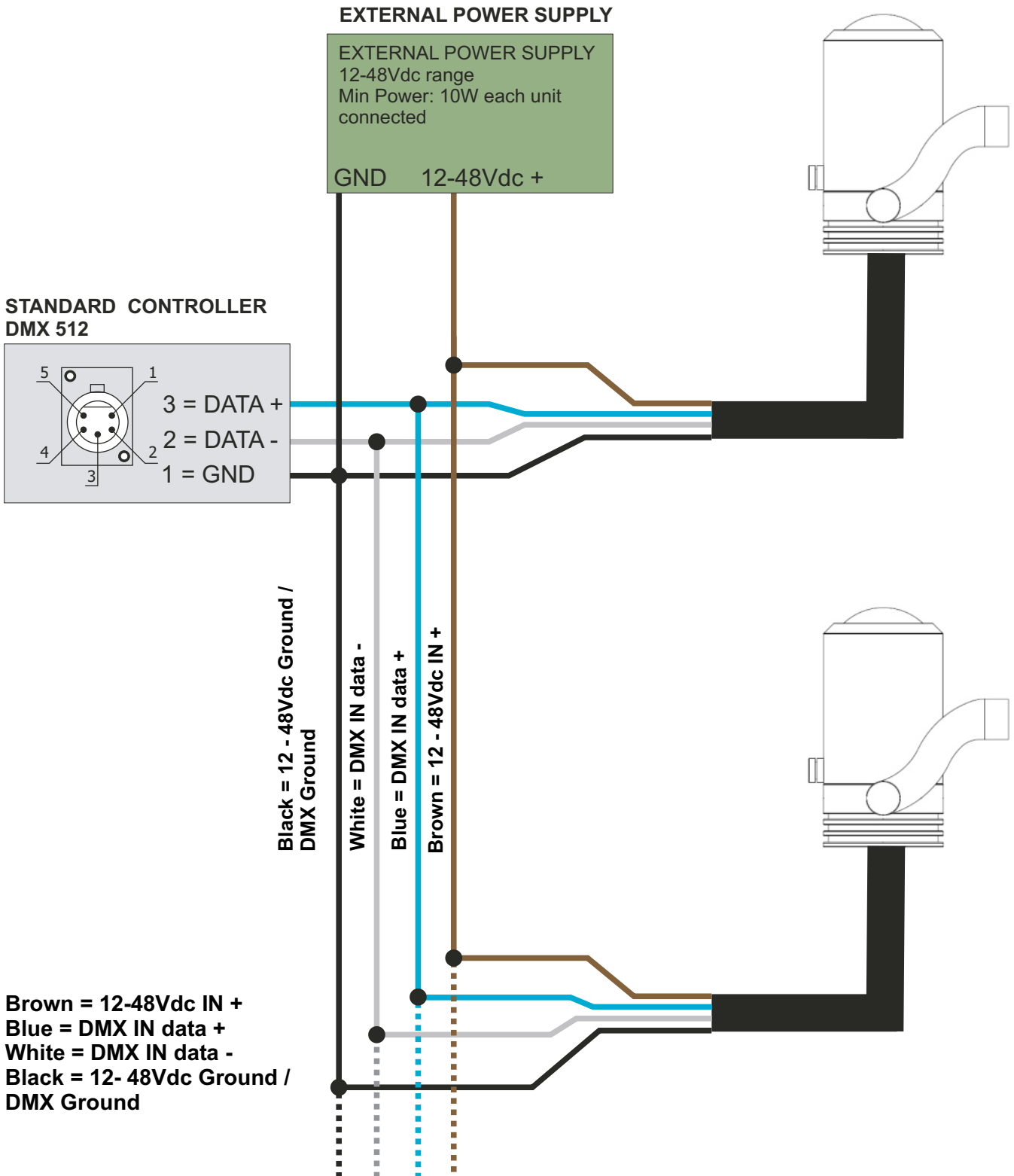
DMX CHANNEL	3	Parameter: BLUE			
-------------	----------	------------------------	--	--	--

DMX range Value	Mid point DMX value	Move range (degrees)	Mode	Option	Function
0-255					Proportional colour from Min to Max

DMX CHANNEL	4	Parameter: WHITE			
-------------	----------	-------------------------	--	--	--

DMX range Value	Mid point DMX value	Move range (degrees)	Mode	Option	Function
0-255					Proportional colour from Min to Max

EXTERNAL POWER SUPPLY AND DMX CONNECTION DIAGRAMS



NOTE:

FOCUS SOLO ZOOM FC do have 3 different operating mode (selectable by user via DLC 901 under "AUTO" menu) when not connected to DMX line.
 Option 1 = RGBW channels at 0% (OFF) if no DMX available
 Option 2 = RGBW channel at 60% intensity if no DMX available (Default)
 Option 3 = RGBW channel at 100% intensity if no DMX available

NOTES

The information contained in this publication has been carefully prepared and checked. However, no responsibility will be taken for any errors. All rights are reserved and this document cannot be copied, photocopied or reproduced, in part or completely, without prior written consent from D.T.S.

D.T.S. reserves the right to make any aesthetic, functional or design modifications to any of its products without prior notice. D.T.S. assumes no responsibility for the use or application of the products or circuits described herein.

MADE IN ITALY



The Lighting Company

ISO 9001:2008

D.T.S. quality system
is certified to the
ISO 9001:2008 standard



D.T.S. products are designed
and manufactured at the D.T.S.
plants in Italy



05171241