

# **CITY THEATRICAL**

**NEW YORK • LONDON**

## **Q Flood 7500™**

**Rugged Battery powered  
LED**

**User's Manual**



© 2015 City Theatrical, Inc.

**US HEADQUARTERS**  
475 BARELL AVENUE  
CARLSTADT, NEW JERSEY 07072  
TEL 800 230 9497 / 201 549 1160  
FAX 201 549 1161

**LONDON OFFICE**  
UNIT 1-3 WYVERN ESTATE, BEVERLEY WAY  
NEW MALDEN, SURREY KT3 4PH  
TEL +44 (0) 20 8949 5051  
FAX +44 (0) 20 7183 6061

[www.citytheatrical.com](http://www.citytheatrical.com)

**Contents**

Disclaimer ..... 2

Product Modification..... 3

System Compliance Information ..... 5

Safety Notices ..... 6

Introduction ..... 6

    Core FLOOD30 Rugged Battery features ..... 6

    Product Contents ..... 7

Charging..... 7

User Interface..... 7

    Power..... 8

Function Modes.....8

    Keypad Lock .....8

Mechanical .....9

Technical Specifications .....9

Dimensions .....10

Warranty..... 11

## Disclaimer

City Theatrical Inc. believes the information in this manual is accurate and complete, however it assumes no responsibility for any error or omissions within this document or any other documentation accompanying the product. We reserve the right to revise this document at any time. Please see <http://www.citytheatrical.com> to download latest version.

## Product Modification

This City Theatrical product has been designed and manufactured to meet the strict requirements of U.S., EU and International safety regulations. Any unauthorized modifications to the product including replacement of parts with non-standard parts could compromise safety and result in the product being non-compliant with relevant standards.

**There are no user serviceable parts within this product.**

## Modification Warning

Caution: changes or modifications to this equipment, not expressly approved by City Theatrical Inc. could void the user's authority to operate the equipment.

## Industry Canada Notifications

This Class B digital apparatus complies with Canadian ICES-003. Operation is subject to the following two conditions: (1) this device may not cause interference, and (2) this device must accept any interference, including interference that may cause undesired operation of the device.

Cet appareil numérique de la classe B est conforme à la norme NMB-003 du Canada.

Product Installation and Configuration Guide © City Theatrical Inc. 2007

## CE Mark Conformity

City Theatrical Inc. declares that this product conforms to the specifications listed in this manual, following the provisions of the European R&TTE directive 1999/5/EC:

City Theatrical Inc. vakuuttaa täten että dieses produkt tyypinen laite on direktiivin 1999/5/EY oleellisten vaatimusten ja sitä koskevien näiden direktiivien muiden ehtojen mukainen.

City Theatrical Inc. déclare que le produit est conforme aux conditions essentielles et aux dispositions relatives à la directive 1999/5/EC.

- EN 301 489-1, 301 489-17 General EMC requirements for Radio equipment.
- EN 60950 Safety
- EN 300 328 Technical requirements for Radio equipment.

*CAUTION—this equipment is intended to be used in all EU and EFTA countries.*

*Outdoor use may be restricted to certain frequencies and/or may require a license for operation. Contact local Authority for procedure to follow.*

Avoid using this product during an electrical storm. There may be a remote risk of electric shock from lightning.

Product Installation and Configuration Guide © City Theatrical, Inc. 2015

## System Compliance Information



The FLOOD30 is CE Certified

This product conforms to the specifications listed in this manual, following the provisions of the European R&TTE directive 1999/5/EC:

Restrictions on Hazardous Substances (RoHS) (2002/95/CE)

Electromagnetic Compatibility (2004/108/EC).

Safety (EN 60950)

Technical requirements for radio equipment. (EN 300 328)

*CAUTION—This equipment is intended to be used in all EU and EFTA countries.*

*Outdoor use may be restricted to certain frequencies and/or may require a license for operation. Contact local Authority for procedure to follow.*

## WEEE & RoHS Statement



The European Directive 2002/96/EC on Waste Electrical and Electronic Equipment (WEEE), requires that products must not be disposed of the normal unsorted municipal waste stream. Appliances must be collected separately in order to optimize the recovery and recycling of the materials they contain and reduce the impact on human health and the environment.

The consumer must contact their local authority or retailer for information concerning disposal of their products.

## Safety Notices

Please read this entire manual before using your new equipment. Please keep the manual in a safe place so you can refer to it in the future as required.

The FLOOD30 Rugged Battery Powered LED Flood Light is intended for use only by qualified professionals. Connection, installation and hanging of this equipment must be performed in accordance with all pertinent local, regional and national safety codes and regulations.

Be sure installation provides adequate ventilation. Some system components can produce significant heat and must be properly installed to allow proper cooling and assure user safety. All sides of the equipment must be clear of obstruction and allow free airflow.

There are no user-serviceable parts inside! Refer to qualified service personnel!

## Safety

- AVOID direct eye exposure to the light source when illuminated
- DO NOT submerge this product in water
- DO NOT hang this product other than by the means indicated in this manual
- DO NOT leave any flammable material near product while operating or charging
- ALWAYS use the supplied charger or charging case
- ALWAYS ensure the charger is connected to the specified voltage
- ALWAYS ensure the charging case lid is open whilst plugged into mains supply
- NEVER connect this product or charger to a dimmer pack
- DO NOT operate this fixture if it appears damaged in any way
- DO NOT operate this fixture where the ambient temperature exceeds 115°F (45°C)

In the unlikely event that your product develops a fault, please contact your local dealer or authorized distributor. Do not attempt to repair yourself unless specifically instructed by City Theatrical Inc.

**Note: Restrictions apply to transporting this equipment on aircraft due to the lithium polymer batteries having capacity greater than 100Wh. Please consult IATA Packing Instructions 967 and City Theatrical Inc. for further information.**

## Introduction

The City Theatrical CORE Lighting Q Flood 7500™ is a battery powered light useful and great value, we have designed it to be exceptionally bright and very rugged so that you can rely on it in a range of situations. We've taken care to use high quality components and it is built to be used in rough and demanding applications. Built in temperature sensors and careful thermal design ensure we get the best performance from the LEDs whilst achieving LED life in excess of 50,000 hours

### Core Lighting Q Flood 7500™ features

- Highly efficient White LEDs producing 7500 lumen output on full output
- Fully adjustable (180 degree) and removable head
- Sealed to IP65 for indoor and exterior use
- Rugged and intuitive operation for use in all conditions
- Adjustable brightness control allowing user to balance battery life against brightness
- Range of different batteries up to 38Ah giving 4.5 hours on full brightness and 9 hours on 50% brightness
- Full recharge over-night
- Intuitive & simple operation – designed for repeated rental
- Standard 12° LED narrow beam. Diffuser overlay with angles 30° (medium), 60° (wide). Others available
- Thermally designed for LED Lifespan > 50,000 hours (6 years if permanently switched on)

## Battery options:

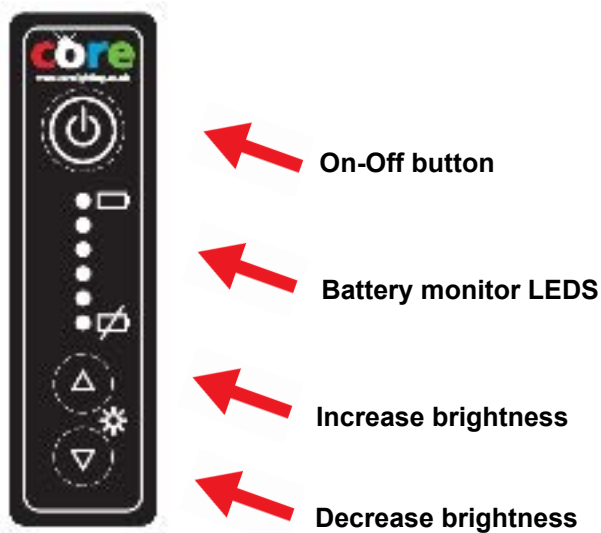
- 26Ah Sealed Lead-Acid (standard version)
- 22Ah Lithium Polymer (Light version)
- 38A Lithium-Ion (Long-life version)

## Accessory options:

- 3.5 units high tripod
- 1.2 units Pole and end-plate
- 3 units head extension lead
- External Power Supply
- 30 degree Diffusing window
- 6 way flight-case with charging
- Bag with carry strap
- Vehicle charging pack
- Wall/pole mounting brackets for LED head

## Product Overview

The light is controlled using the keypad on the front:




A waterproof multi-way connector on the back of the light attaches the LED head to the base, in-line extension cables can be purchased to allow the head to be mounted remotely from the battery pack.

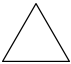
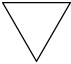
The 3 way connector is used for connection to a battery charger or the optional, external mains power supply.

Ensure the product is used only with correct voltage and frequency of mains supply.

Never connect the charger or charging case to a dimmer circuit, even when a dimmer has been configured for 'non-dim' or 'switched' operation.

- **Turn ON** Always ensure the LED head is connected to the light before turning on.
- Turn the light on by pressing the  button for around 1 second. Press it again to turn off.
- The row of 6 LEDs normally shows the battery voltage state.
- When the Amber LED lights there is usually around 30 minutes of operation (depending on brightness) and the battery should be recharged.

### Brightness Adjustment

- Press the  and  buttons will adjust the brightness.
- Press briefly to change brightness one step.
- Press and hold to ramp brightness to the desired level. The value will be saved for future use or until changed again.
- While the button is depressed one of the battery LEDs will light to give an indication of the brightness setting of the head.
- The top (Green) LED lights at minimum brightness, the bottom (Red) LED shows maximum brightness. Using this setting the user can 'trade-off' brightness for battery life.

### Protection

- The Q Flood 7500™ is fitted with temperature sensors in the head and drive circuits so the unit is protected from fault conditions.
- The brightness will automatically reduce in an over-temperature condition to help reduce the temperature and the battery LEDs will flash.
- If the battery voltage drops below a critical level the Light head will turn off and the battery LEDs will flash continuously.



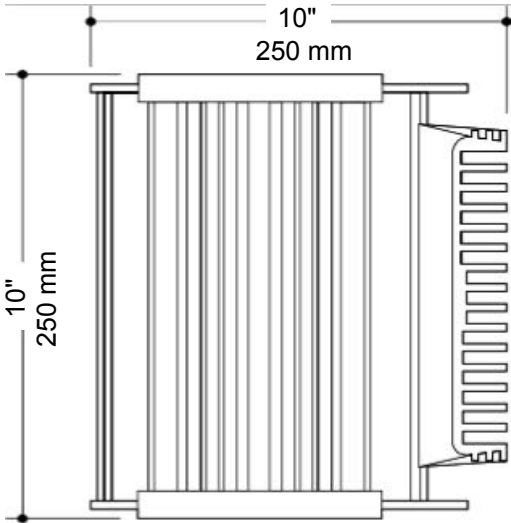
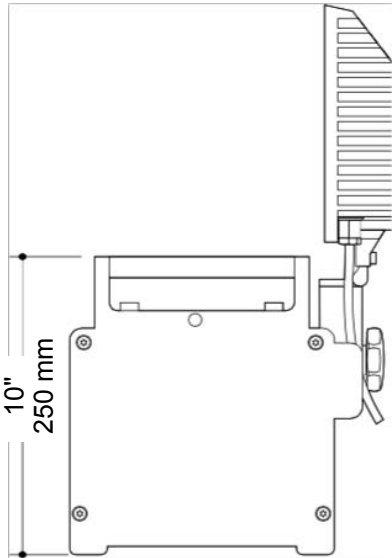
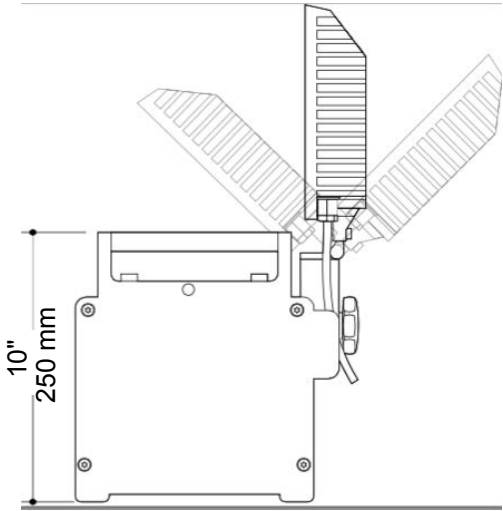
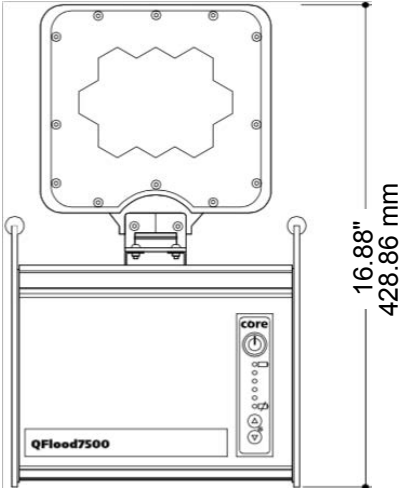
## Lifespan

Once discharged it is important for the battery to be recharged as soon as possible to prevent long term damage to the battery. The battery should be capable of more than 300 recharge cycles if discharged then fully recharged straight away to more than 90% battery capacity. Lighter use will preserve battery life further.

## Technical Specification

<b>Max brightness</b>	7500 lumens
<b>Color</b>	Neutral White 4000K CCT
<b>Operation time</b>	Over 4 hours (38Ah battery on full output) Over 2.5 hours (26Ah battery on full output)
<b>Charge time</b>	8 hours
<b>Dimensions</b>	250 w x 255 d x 230 h
<b>Weight</b>	12Kg (SLA battery) <6Kg (Li-Poly battery) <10Kg (Li-ion battery)
<b>Operating Temperature</b>	-20 to +50 deg C.
<b>Pole (option)</b>	0.75m or 1.2m sections

Dimensions



## **Warranty**

City Theatrical Inc. (City Theatrical) warrants this product to be free from defects in materials and workmanship (subject to the terms set forth below).

City Theatrical will repair or replace (at City Theatrical's option) this product or any defective parts in this product. The standard warranty period is 12 months from date of purchase, although this period may vary from country to country. If in doubt consult your dealer and ensure that you retain proof of purchase.

To obtain warranty service, please contact the City Theatrical authorized dealer from which you purchased this product. If your dealer is not equipped to perform the repair of your City Theatrical product, it can be returned directly to City Theatrical, with carriage being paid at your own expense. You will need to ship this product in either its original packaging or packaging affording an equal degree of protection. Providing the product is found to be faulty, City Theatrical will pay for return carriage.

Proof of purchase in the form of a bill of sale or receipted invoice, which is evidence that this product is within the warranty period, must be presented to obtain warranty service.

This Warranty is invalid if (a) the factory-applied serial number has been altered or removed from this product or (b) this product was not purchased from a City Theatrical authorized dealer.

This Warranty does not cover cosmetic damage or damage due to acts of God, accident, misuse, abuse, negligence, or modification of, or to any part of, the product. This Warranty does not cover damage due to improper operation, maintenance or installation, or attempted repair by anyone other than City Theatrical or a City Theatrical dealer, or authorized service agent which is authorized to do City Theatrical warranty work. Any unauthorized repairs will void this Warranty. This Warranty does not cover products sold AS IS or WITH ALL FAULTS.

**REPAIRS OR REPLACEMENTS AS PROVIDED UNDER THIS WARRANTY ARE THE EXCLUSIVE REMEDY OF THE CONSUMER. CITY THEATRICAL SHALL NOT BE LIABLE FOR ANY INCIDENTAL OR CONSEQUENTIAL DAMAGES FOR BREACH OF ANY EXPRESS OR IMPLIED WARRANTY IN THIS PRODUCT. EXCEPT TO THE EXTENT PROHIBITED BY LAW, THIS WARRANTY IS EXCLUSIVE AND IN LIEU OF ALL OTHER EXPRESS AND IMPLIED WARRANTIES WHATSOEVER INCLUDING, BUT NOT LIMITED TO, THE WARRANTY OF MERCHANTABILITY AND FITNESS FOR A PRACTICAL PURPOSE.**

For any service, in or out of warranty, please contact your dealer.