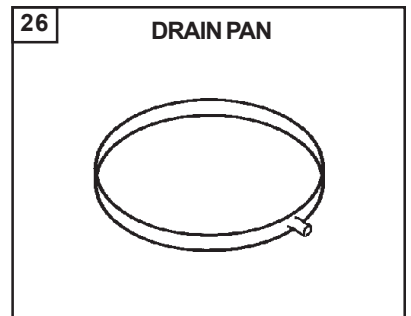
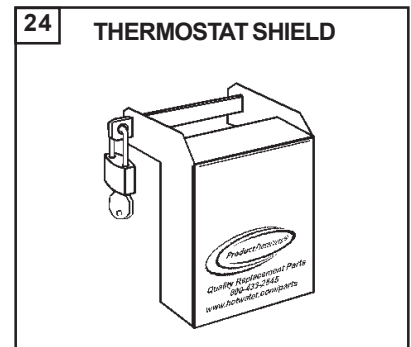
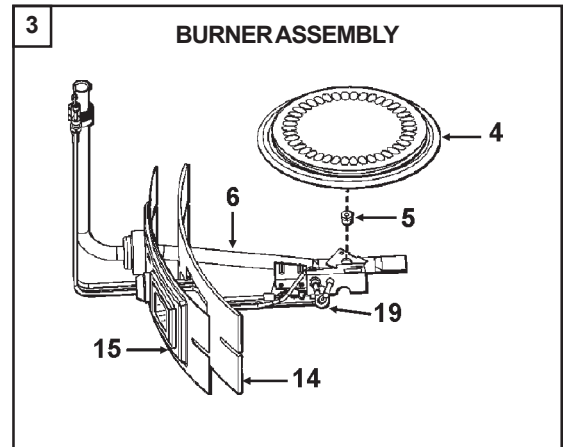
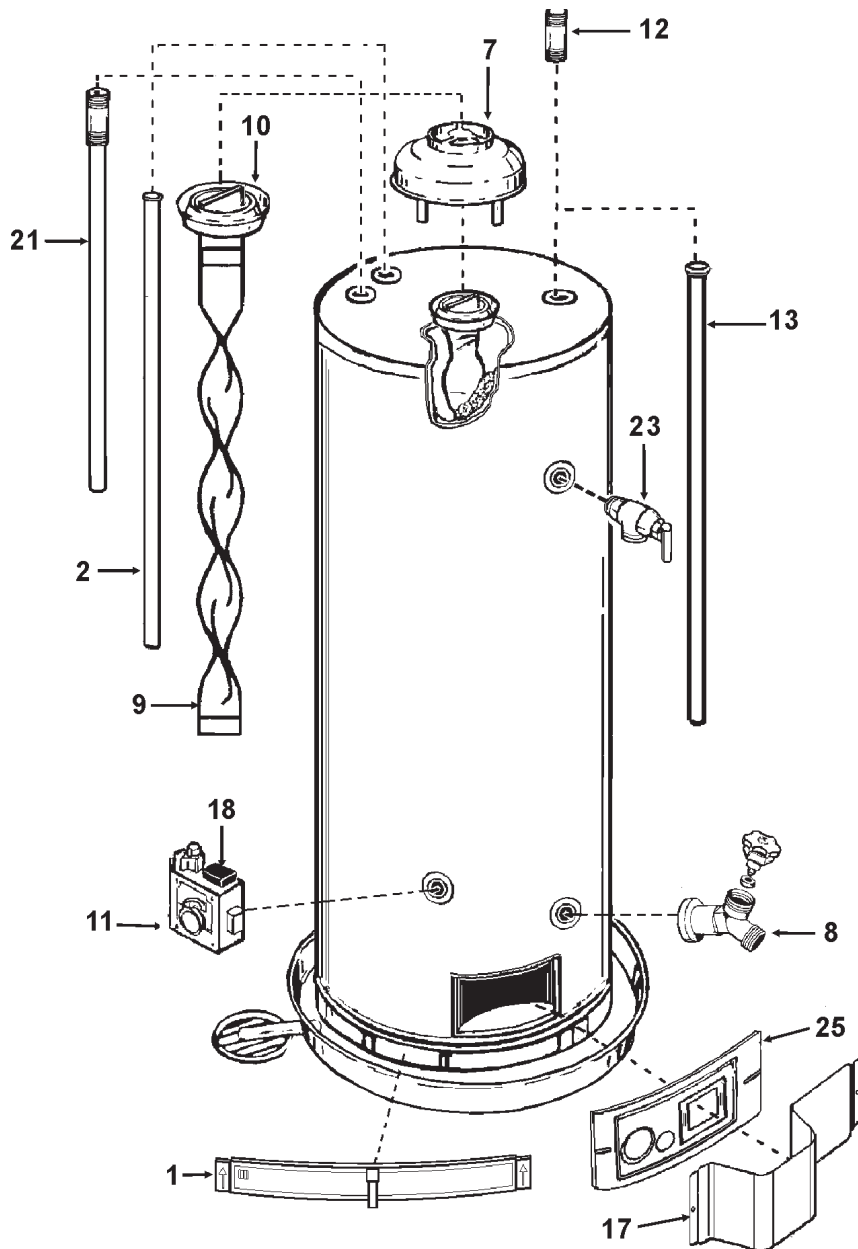


**RESIDENTIAL WATER HEATER PARTS LIST**  
**MODELS: GS6-30,40,50-HOCT/YOCT**  
**GSX-30,40,50-HOCT/YOCT**  
**SELECT WITH**  
**HIGH EFFICIENCY**



Item	Description	GS6/GSX-30 YOCT/HOCT	GS6/GSX-40 YOCT/HOCT	GS6/GSX-50 YOCT/HOCT
1	Air Intake Screen	183159-000	183159-000	183159-000
2	Anode Rod - GS6-YOCT/HOCT Only	183523-023	183523-026	183523-029
2	Anode Rod - GSX-YOCT/HOCT Only	183523-029	183523-033	183523-036
3	Burner Assembly - Natural Gas - YOCT Only	183222-016	183222-020	183222-022
3	Burner Assembly - Propane Gas - HOCT Only	183222-017	183222-021	183222-023
4	Burner Head with Door Insulation - Natural Gas - YOCT Only	183504-000	183504-000	183504-000
4	Burner Head with Door Insulation - Propane Gas - HOCT Only	182730-000	182730-000	182730-000
5	Burner Orifice with Door Insulation - Natural Gas - YOCT Only	181508-033	181508-033	181508-033
5	Burner Orifice with Door Insulation - Propane Gas - HOCT Only	181791-050	181791-050	181791-050
6	Burner Tube w/Rubber Boot & Door Insulation - Natural Gas - YOCT Only	183163-001	183163-002	183163-004
6	Burner Tube w/Rubber Boot & Door Insulation - Propane Gas - HOCT Only	183450-001	183450-002	183450-004
7	Draft Hood	183852-000	183852-000	183852-000
8	Drain Valve - Brass	026273-007	026273-007	026273-007
9	Flue Baffle Assembly	180666-000	180666-000	180666-000
10	Flue Restrictor	034894-000	034894-000	034894-000
11	Gas Control Valve - Natural Gas - YOCT Only	182791-005	182791-005	182791-005
11	Gas Control Valve - Propane Gas - HOCT Only	182792-001	182792-001	182792-001
12	Heat Trap Assembly	184792-003	184792-003	184792-003
13	Inlet Tube Assembly	183776-033	183776-033	183776-036
14	Inner Door Gasket	183162-000	183162-000	183162-000
15	Inner Door with Door Insulation	183425-002	183425-001	183425-000
16*	Instruction Manual	184165-002	184165-002	184165-002
17	Outer Door	183458-000	183458-000	183458-000
18	Piezo Igniter Assembly	183798-000	183798-000	183798-000
19	Pilot Assembly w/Grommet & Door Insulation - Natural Gas - YOCT Only	183824-200	183824-190	183824-180
19	Pilot Assembly w/Grommet & Door Insulation - Propane Gas - HOCT Only	183824-192	183824-182	183824-182
20*	Pipe Insulation	181639-003	181639-003	181639-003
21	Secondary Anode with Heat Trap (optional) - GS6 Only	184634-133	184634-136	184634-142
21	Secondary Anode with Heat Trap (optional) - GSX-YOCT/HOCT Only	184634-114	184634-114	184634-114
22*	Temperature-Pressure Relief Valve Insulation	183256-000	183256-000	183256-000
23	Temperature-Pressure Relief Valve	043151-000	043151-000	043151-000
24	Thermostat Shield (Optional)	191259-001	191259-001	191259-001
25	Viewport Assembly	184470-000	184470-000	184470-000
26	20" Dia. Aluminum Drain Pan w/Side Drain (Optional)	23912-A	23912-A	23912-A
26	22" Dia. Aluminum Drain Pan w/Side Drain (Optional)	23913-A	23913-A	23913-A
26	28" Dia. Aluminum Drain Pan w/Side Drain (Optional)	23914-A	23914-A	23914-A

\* Not illustrated.



**STATE WATER HEATERS**  
**500 Lindahl Parkway, Ashland City, TN 37015**  
**Phone: 800-821-2017 Fax: 800-644-9306**  
**www.statewaterheaters.com**