



USER MANUAL

SW218XA

active subwoofer

KEY FEATURES

- Very High Output
- High-strength, water repellent, glass fiber reinforced cones
- Digitally controlled Class D amplifier module with SMPS
- Manifoldded Transmission Line configuration for very fast transient response
- **Tetracoil® dual voice coil for extended linear response and increased power handling**
- 96KHz / 40 bit floating point CORE processing with PRONET remote control

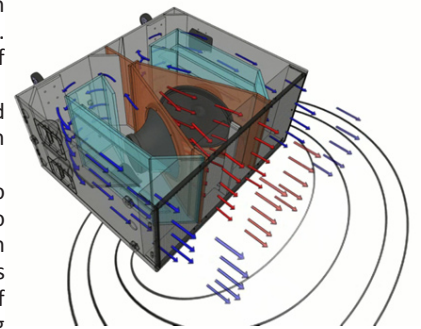
INTRODUCTION

The SW218XA subwoofer is designed to deliver high quality low frequency reproduction where very high output is a key requirement, together with well defined deep bass response and fast transient response. The very high output makes it ideal for concert touring and festival applications requiring high levels of low frequency response, such as hard rock and electronic music, and for top level dance music clubs.

The SW218XA is a very high quality powered subwoofer system featuring some of the most advanced technologies for low frequency reproduction. Its unique and innovative design is based on a configuration that can be defined as Manifoldded Transmission Line.

It uses manifolding of the front side of the cones to maximize the mutual coupling between the two drivers, while loading the back of the cone with a large-size transmission line that has the function to create a transmission path from the back of the transducers to the front. This innovative configuration does not use any large resonant cavity to load the speaker in order to get the lower octave and this reduces significantly pressure decay time inside the enclosure, with large advantages in terms of definition both at the lowest end and the upper bass. At the same time, it doesn't use very long transmission line paths as well. Its working principle is an hybrid combination between a short transmission line and an overdamped reflex load. Moreover, the maximization of the mutual coupling between the drivers increase the fastness of the transient response while maximizing the overall energy efficiency as well.

The SW218XA subwoofer system is equipped with two high power 18" (460mm) transducers capable of very long excursion (up to 30mm peak-to-peak) and featuring a large displacement suspension system. These transducers use Tetracoil technology, where two different, axially separated magnetic gaps and two inside-outside 100 mm (4") diameter voice coils are wound on the same former and suspended evenly in the two magnetic gaps. This creates an equivalent voice coil diameter greater than 6", resulting in a larger heat dissipation area for and increased power handling. Additional key advantages of the Tetracoil technology are also minimized distortion and a very symmetric and flat inductance curve. Cones are made of very high-stiffness fiberglass reinforced paper, featuring also invisible water repellent treatment.



TECHNICAL SPECIFICATION

Acoustical		Amplifier Type	
System type	Manifoldded Transmission Line	Class D with Variable Switching Frequency and SMPS and PFC	
Transducer	Two 18" (460 mm), 100mm (4in) Tetracoil® dual voice coil, equivalent to a single coil diameter larger than 152mm (>6in). Water repellent cone and epoxy coated plates. Ultra linear suspension behavior.	Output Power	2000 W + 2000 W
		Mains Voltage Range (Vac)	100-240 V~ 50/60 Hz
		Mains Connector	PowerCon TRUE1 - NAC3PX (In/Out)
		Consumption*	600 W (nominal) 1800 W (max)
Frequency response (±3 dB)	36 Hz – 100 Hz (Processed)	IN / OUT Connectors	Neutrik XLR-M / XLR-F
Maximum Peak SPL @ 1m	143 dB	IN / OUT Network Connectors	ETHERCON® (NE8FAV)
Electrical		Mechanical	
Input Impedance	20 kΩ balanced	Width	1215 mm (47.87")
Input Sensitivity	+4 dBu / 1.25 V	Height	590 mm (23.24")
Signal Processing	CORE processing, 96kHz / 40bit floating point SHARC DSP, 24 bit AD/DA converters	Depth	950 mm (37.43")
Direct access Controls	4 Presets: Standard, InfraSub, Cardioid, User.	Depth with Wheels / Dolly	1078 mm (42.44") / 1110 mm (43.70")
	Network Termination, GND Link	Construction	15 mm, reinforced Phenolic Birch
Remote Controls	PRONET control software	Paint	High resistance, water based paint
Network protocol	CANBUS	Transport	10 handles
		Net Weight	121.2 Kg (267.2 lbs.)
		Wheels or Transport Dolly	4 heavy-load 100 mm Ø (optional)

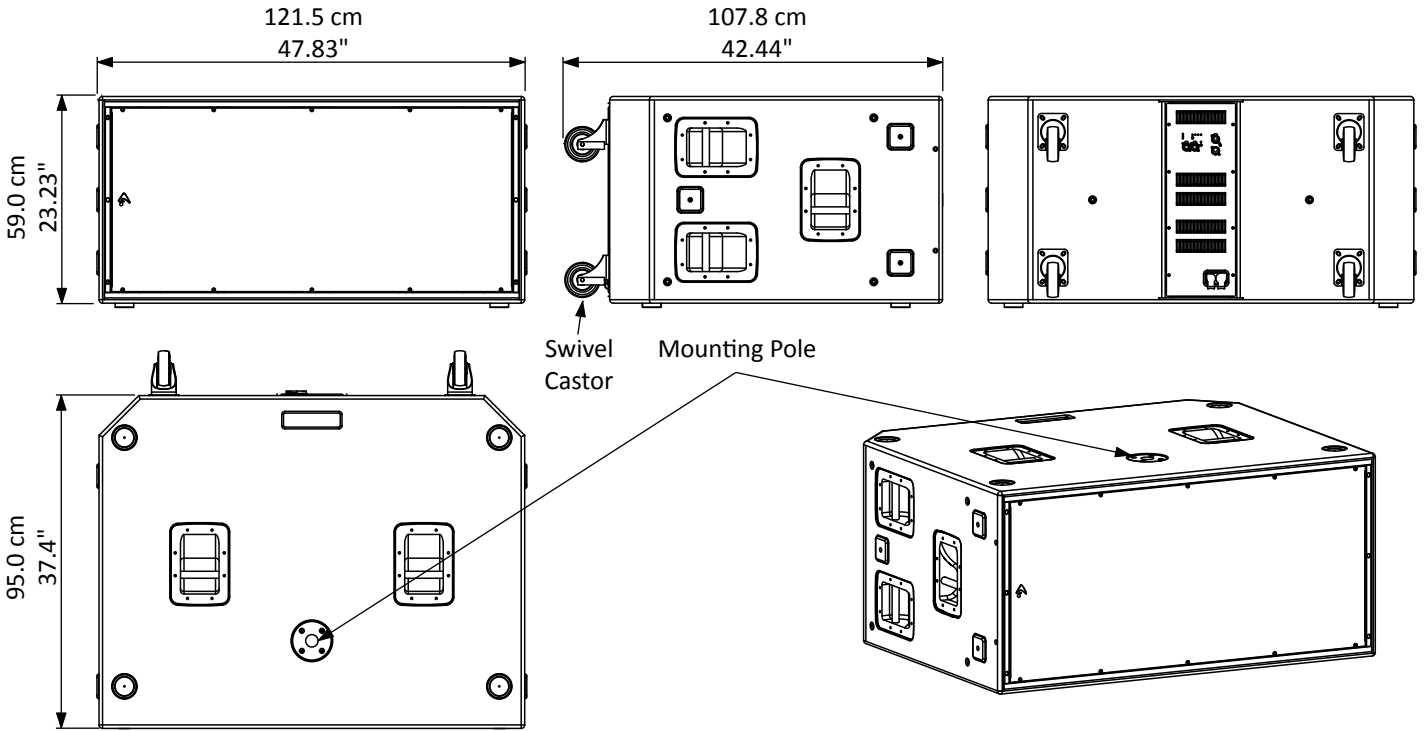
* Nominal consumption is measured with pink noise with a crest factor of 12 dB, this can be considered a standard music program.



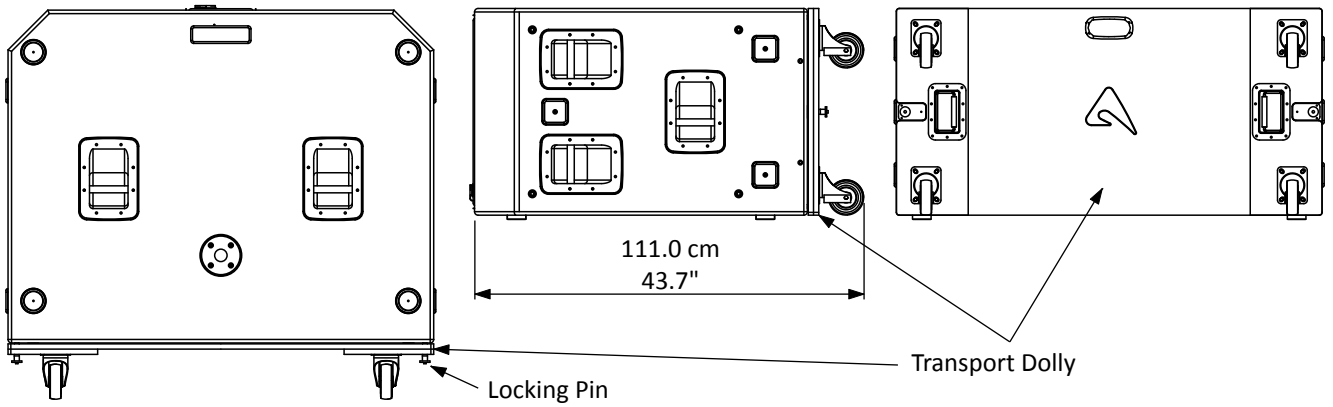


MECHANICAL DRAWING

with optional wheels



with optional transport dolly





OPTIONAL ACCESSORIES

(available soon)	Transport Dolly
AC103GS	100 mm Swivel castor without brake
NAC3FXW	Neutrik Powercon® TRUE1 (for power in)
NAC3MXW	Neutrik Powercon® TRUE1 (for power out)
HTAC	Hand tool for tightening the bushing of the powerCON TRUE1.
CAT5SLU01/05/10	LAN5S - Cat5e - RJ45 plugs and NE8MC1 connectors. 1/5/10 m Length
AR100LUxx	Hybrid cable 1x Cat6e - 1x Audio with NEUTRIK connectors 0.7/1.5/2.5/5/10/15/20 m Length
AR200LUxx	Hybrid cable 1x Cat6e - 2x Audio with NEUTRIK connectors 20/30/40/60/80 m Length
AVCAT5PROxx	Cat5e on cable drum, RJ45 plugs and NEUTRIK connectors 30/50/75 m Length
NE8MCB	Neutrik Ethercon PLUG
NC3MXXBAG	Neutrik XLR-M
NC3FXXBAG	Neutrik XLR-F
USB2CAN	PRONET network converter
USB2CAND	PRONET network converter with dual RJ45 outputs

Note:

See assembly instruction downloadable from NEUTRIK WEB site at: <http://www.neutrik.com/>

see <http://www.axiomproaudio.com/> for detailed description and other available accessories.

SPARE PARTS

AC103GS	100 mm Swivel castor without brake
AC115DN	Black steel handle
98AXM218TLW4	18" woofer - 4" Tetracoil® dual voice coil - 4 ohm
NAC3PX	Neutrik Powercon® TRUE1 Appliance inlet-outlet combination
SCNACPX	Neutrik Rubber Sealing for NAC3PX
91AMDSW218X	SW218xA Amplifier module assembly





POWER INPUT

MAINS~ IN - Powercon® NAC3PX power inlet connector. To switch the amplifier on, insert the Powercon® connector and turn it clockwise into the ON position. To switch the amplifier off, pull back the switch on the connector and turn it counter-clockwise into the POWER OFF position.

MAINS~ OUT - Powercon® NAC3PX power outlet connector. This is connected in parallel with the MAINS~ IN.



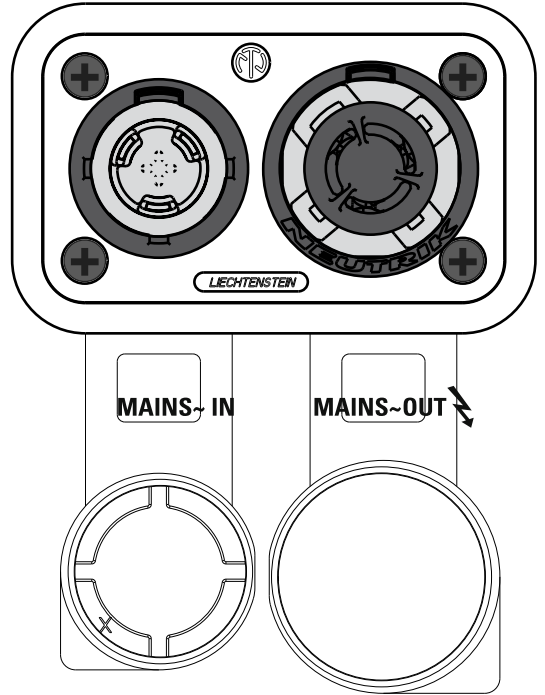
WARNING! Connect no more than one subwoofer unit to the MAINS~ OUT connector.

WARNING! If you use the MAINS~ OUT turn on each subwoofer unit one a time.

WARNING! In the case of product failure or fuse replacement, disconnect the unit completely from the mains power.

WARNING! Use a suitable power cable and mains plug to build the power cable, it must only be connected to a socket corresponding to the specifications indicated on the amplifier unit.

See assembly instruction downloadable from NEUTRIK WEB site at: <http://www.neutrik.com/>



CONTROL PANEL

ON - This LED indicates power on status.

PROT - This red LED lights when the amplifier module is in protect mode for an internal fault and, consequently, the amplifier is muted.

SIGN LIMIT - This LED lights in green to indicate the presence of the signal and lights in red when an internal limiter reduces the input level.

INPUT - Audio signal input with locking XLR connector. It has a fully electronically balanced circuitry including AD conversion for the best S/N ratio and input headroom.

LINK - A direct connection from the input connector to link other speakers with same audio signal.

GND LIFT - This switch lift the ground of the balanced audio inputs from the earth-ground of the amplifier module.

PRESET BUTTON - This button has two function:

1) Pressing it while powering on the unit:

ID ASSIGN

the internal DSP assigns a new ID to the unit for the PRONET remote control operation. Each loudspeaker must have a unique ID to be visible in the PRONET network. When you assign a new ID, all the other loudspeakers with the ID already assigned must be ON and connected to the network.

2) Pressing it with the unit ON you can select the DSP PRESET. The selected PRESET is indicated by the corresponding LED:

STANDARD

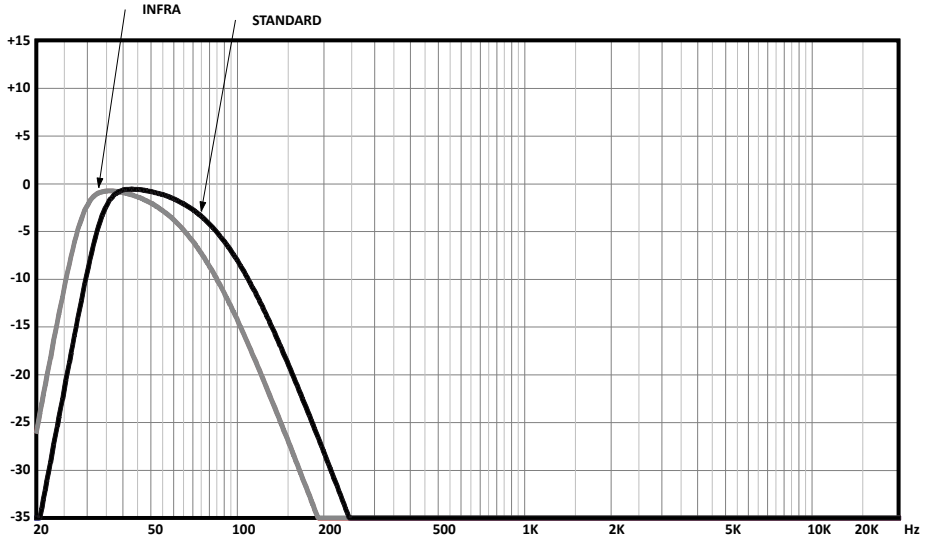
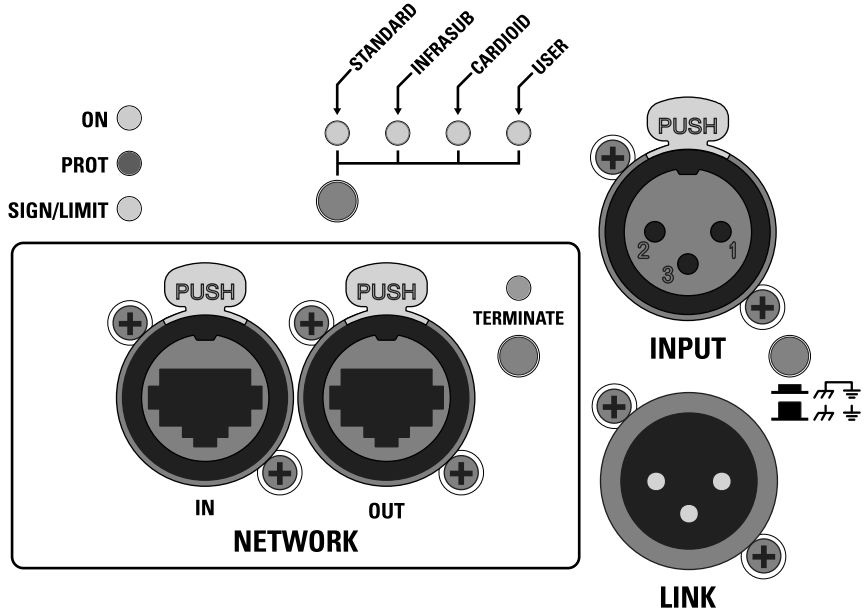
This PRESET is suitable for any application where low frequency reinforcement is required. It features a 90Hz cut off frequency and it can be used in almost any environment in combination with any vertical arrays.

INFRA

This PRESET can be used when a deeper bass response is required (Note that when this preset is used the sound pressure level of the system is slightly reduced). NOTE: INFRA and STANDARD PRESET must NOT be used together in close units.

CARDIOID

This special PRESET, combined with the STANDARD PRESET, gives the advantage to reduce the low frequencies at the back of an





array of three subs, in order to obtain a more comfortable level for the performers on the stage without losing level for the the audience in front of the array. The cardioid configuration is also useful in situation where you want to reduce the bass frequency feedback due to many microphones on stage, for example for acoustic and jazz ensemble, classic orchestra, musicals. Further in this manual you can find some example how to set up a cardioid array.

USER

This LED lights when the USER PRESET is loaded. This preset corresponds to USER MEMORY no. 1 of the DSP and, as a factory setting, it's the same to STANDARD. If you want to modify it, you have to connect the unit to a PC, edit the parameters with PRONET software and save the PRESET into USER MEMORY no. 1.

NETWORK IN/OUT - These are a standard RJ45 CAT5 connectors (with optional NEUTRIK NE8MC RJ45 cable connector carrier), used for PRONET network transmission of remote control data over long distance or multiple unit applications.

TERMINATE - In a PRONET network the last loudspeaker device must be terminated (with an inner load resistance) especially in a long run cabling: press this switch if you want to terminate the unit.

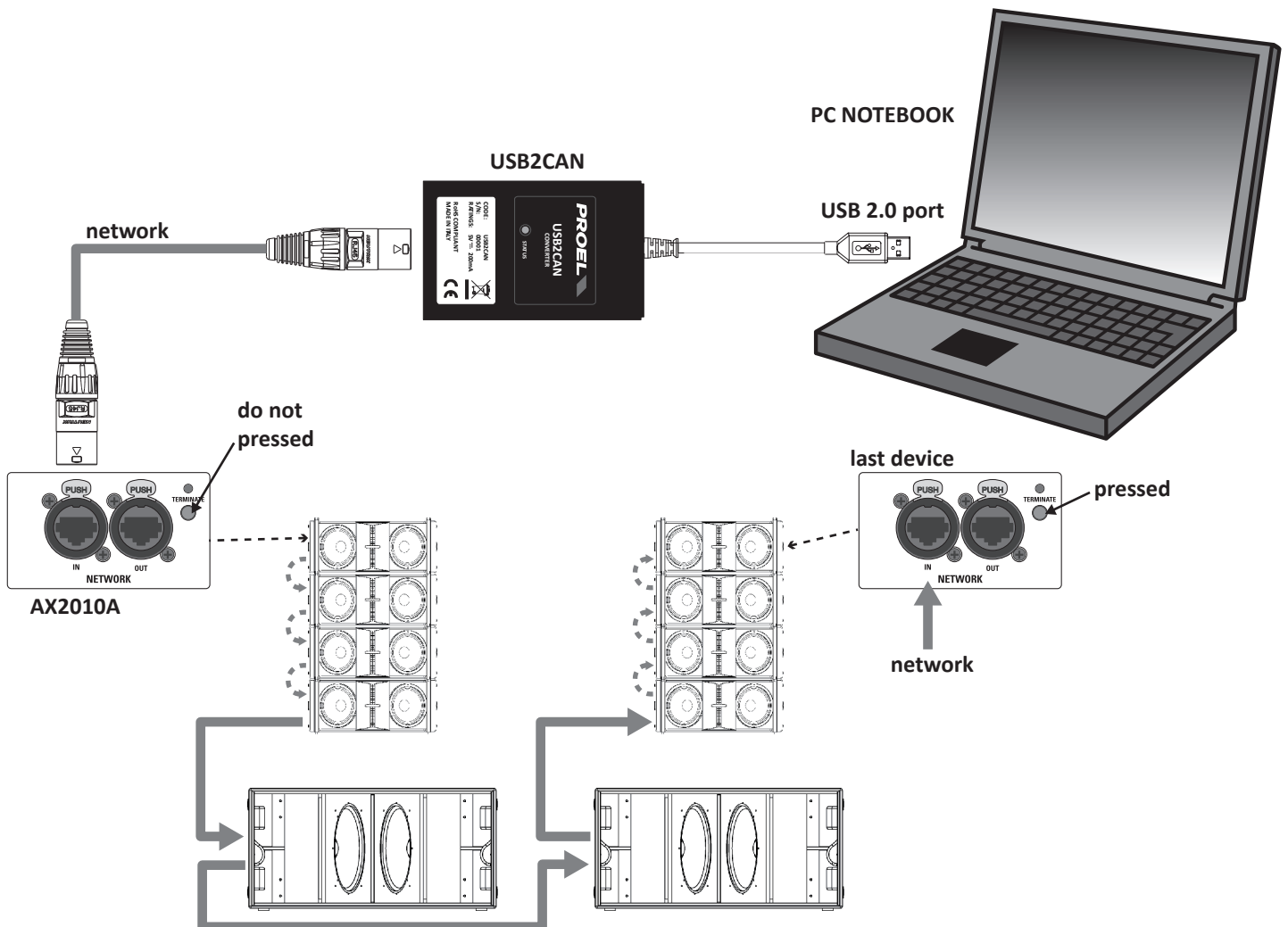
POWER AMPLIFIERS

The SW218XA is powered by DA SERIES digital power modules, a new generation of CLASS D power amplifier with digitally-controlled SMPS. The innovative technology used for these amplifiers (including also the use of a variable switching frequency) offers performances at the top of the range, such as a superior sound definition at any audio frequency, very high dynamics also for low level signals and very low distortion even at the maximum power. The superior sound quality can be compared with top-of-the-range AB-class analog systems, while the DA modules feature a higher dynamics, very compact size and light weight and efficiency above 90%. The DA module employed for powering the SW218XA delivers in an ultra-compact package a maximum power of 4000W and features PFC (Power Factor Correction), a technology able to guarantee always the highest level of power regardless of any eventual fluctuations of the power supply.

SIGNAL PROCESSING

The system processing is based on the CORE DSP platform, which has been designed by the PROEL R&D Laboratories using one of the most advanced SHARC DSP for audio application. It features 40bit, 96kHz floating point resolution and high quality 24bit AD/DA converters, for a perfect signal integrity, a dynamic range in excess of 110dB and a superior sonic performance. Thanks to its massive processing power, the CORE platform is capable of providing the most sophisticated algorithms for speaker processing, together with remote control and networking capability. The PRONET control software, working on a solid and reliable CANBUS based network protocol, provides an intuitive interface for the remote

EXAMPLE OF PRONET NETWORK WITH AX2010A AND SW218XA





control of the whole system, with the possibility of eqing, delaying, increasing the protections and monitoring the status of the amplifier.

PRONET

PRONET software has been developed in collaboration with sound engineers and sound designers, in order to offer an “easy-to-use” tool to setup and manage your audio system. With PRONET you can visualize signal levels, monitor internal status and edit all the parameters of each connected device.

Download the PRONET app from the AXIOM website at <http://www.axiomproaudio.com/> clicking on downloads section of the product.

The SW218XA loudspeaker devices can be connected using the network connection, in this case the PROEL USB2CAN converter optional accessory is needed. The first time you connect a device with the USB2CAN converter, Windows O.S. will ask you to install the driver files, which you can find in the Driver folder within the Pronet application folder (by default is C:\Program Files\Proel\Pronet\Driver, or if you changed it <your path>\Driver). Please refer also to “Installation” and “Drivers” paragraphs in the Pronet documentation.

The PRONET NETWORK is based on a robust, reliable and fast communication protocol called CANBUS. The devices in a PRONET NETWORK are connected together with a “linear bus topology”. The USB2CAN converter must be connected to the network input of the first device, the network output of the first device is connected to the input of the second and so on. For the network connections simple RJ45 cat.5 or cat.6 ethernet cables can be used (please don’t confuse a ethernet network with a PRONET network these are completely different and must be fully separated also both use the same kind of cable).

The beginning and the end of a PRONET NETWORK must be terminated. One side is terminated by the USB2CAN converter, the other side must be terminated pressing the TERMINATE switch on the last device. All devices between these two points must have the TERMINATE switch lifted.

Assign the ID number

To work properly in a PRONET network each connected device must have a unique identifier number, called ID. By default the USB2CAN PC controller has ID=0 and there can be only one PC controller. Every other device connected must have its own unique ID equal or greater than 1: in the network cannot exist two devices with the same ID.

An ID number is assigned automatically to each devices when they are turned on for the first time connected to a network.

In order to correctly assign a new available ID to each device for working properly in a Pronet network, follow these instructions:

1. Switch off all the devices.
2. Connect them correctly to the network cables.
3. “TERMINATE” the latest device in the network connection.
4. Switch on the first device keep pressed “PRESET” button on the control panel.
5. Leaving the previous device switched on, repeat the previous operation on the next device, until the latest device is turned on.

The “Assign ID” procedure for a device makes the internal network controller to perform two operations: reset the current ID; search the first free ID in the network, starting from ID=1. If no other devices are connected (and powered on), the controller assume ID=1, that is the first free ID, otherwise it searches the next one left free.

These operations ensure that every device has its own unique ID, if you need to add a new device to the network you simply repeat the operation of step 4. Every device maintains its ID also when it is turned-off, because the identifier is stored in the internal memory and it is cleared only by another “Assign ID” step, as explained above. This means that if your network is made always of the same devices the assigning ID procedure must be executed only the first time the system is turned on.

For more detailed instruction about PRONET see the PRONET USER’S MANUAL included with the software.

Useful tools to set up properly a vertical array system using the SW218XA subwoofer

This is a list of tools that can be very useful to set properly a vertical array system with the SW218XA active subwoofers.



CABLE TESTER

It is a good practice to check all cables before each installation, because even one faulty cable can compromise heavily the system performance.



INCLINOMETER WITH LEVER

This tool can be used to verify the vertical array angle. It can be used at the top or at the bottom of the array In this case you have to sum all splay angles, so the maximum precision is needed for aiming the vertical array, particularly for long throw applications.



LASER DISTANCE METER

This instrument can be useful to measure the height of the vertical array and to know the distance between FOH-Subs and FOH-Array for setting the delay time.



SMAART or similar acoustic measurement system

These are useful to measure delays, phase and response of the system.



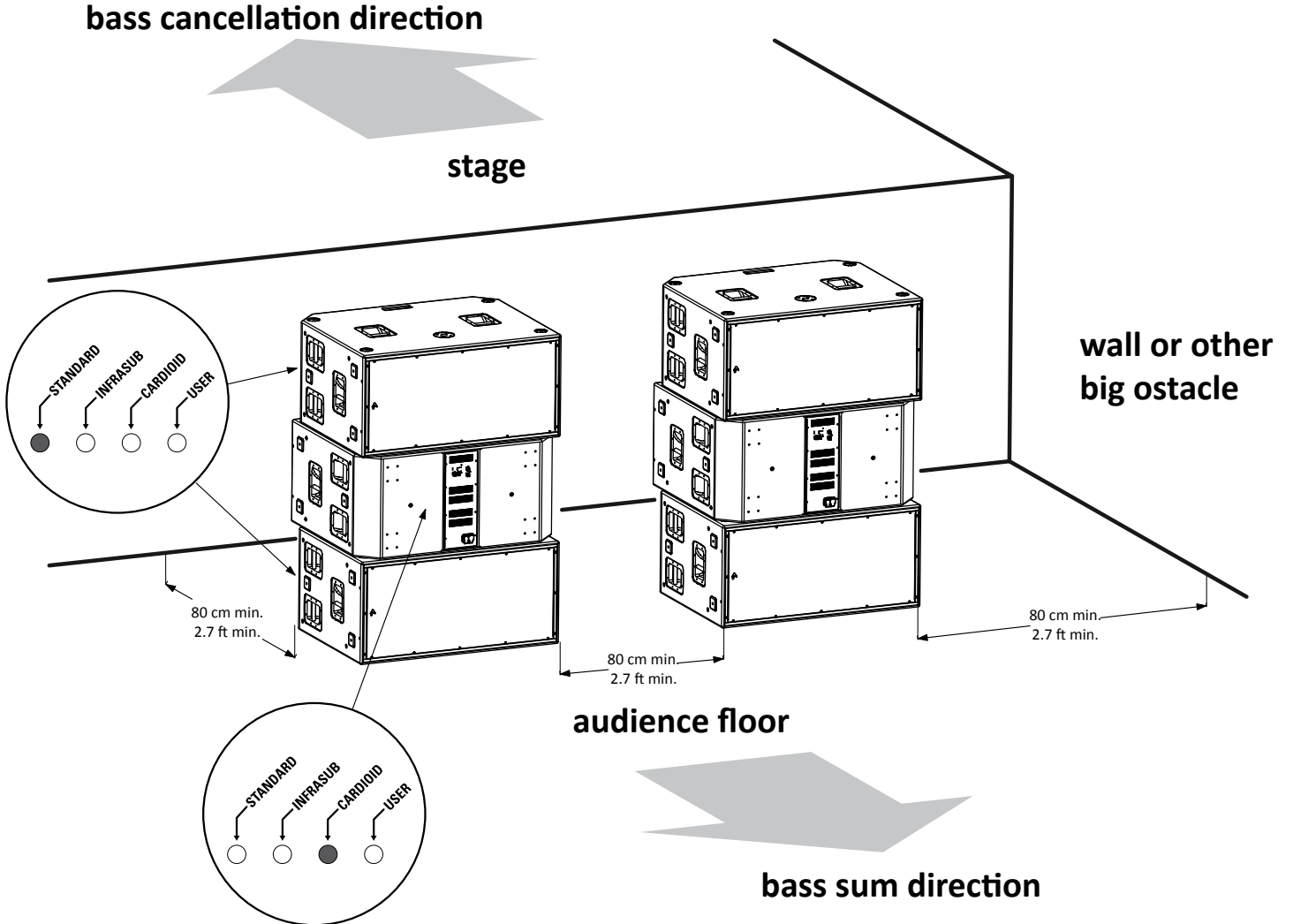


CARDIOID PRESET

The cardioid preset must be used in a sub array of three SW218XA. Two boxes must be oriented towards the audience and one must be turned in the opposite direction (typically the box in the centre of the array). The bottom and the top boxes must have the STANDARD PRESET, the box in the middle must have the CARDIOID PRESET. The audio signal sent to all boxes is the same.

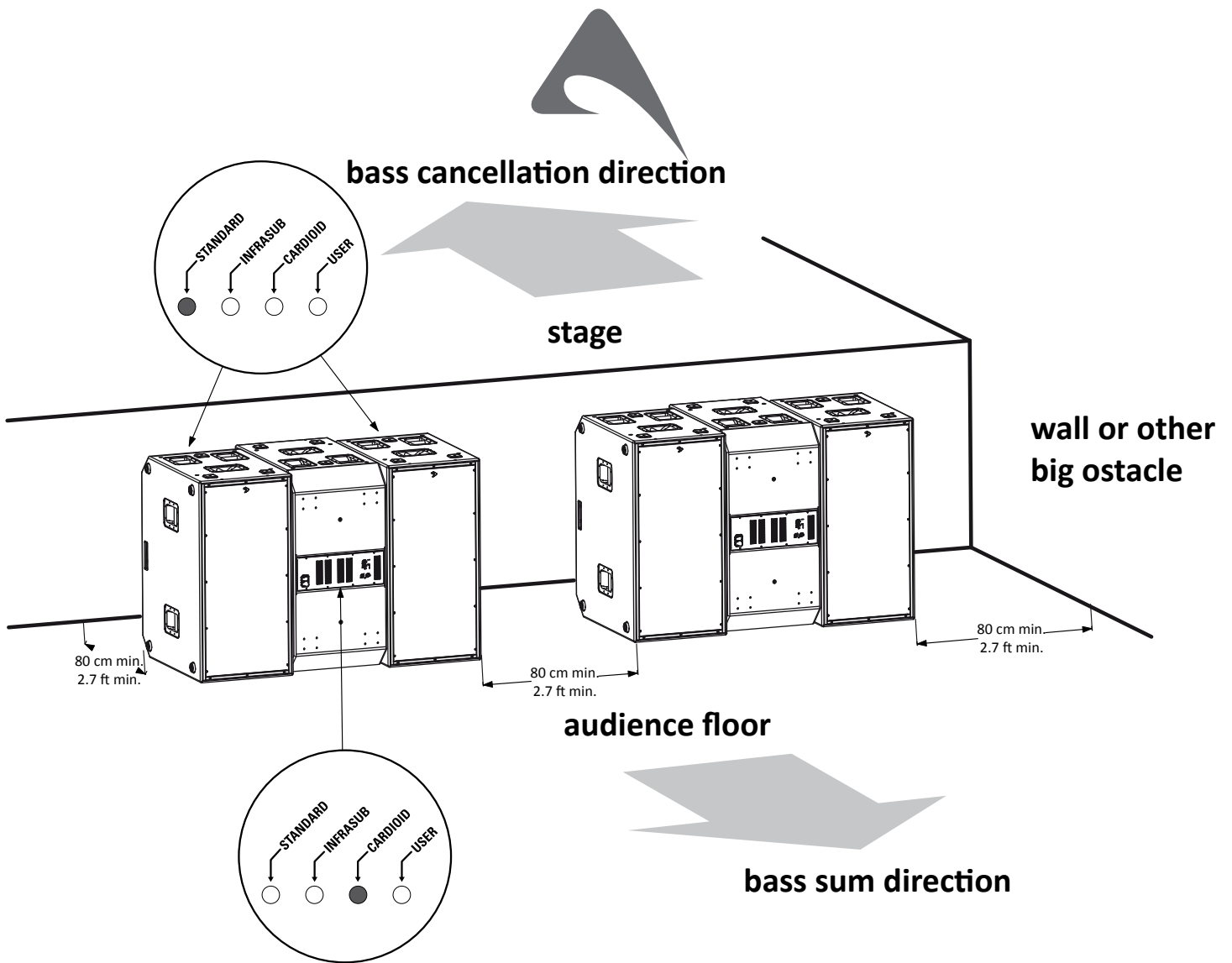
The CARDIOID PRESET has the same response of the STANDARD PRESET, but to obtain the maximum cancellation on the back side of the array it has the phase inverted and a proper level and delay setting.

The figure below shows two typical displacement of the array. The first with all the boxes in horizontal position for a total height of 1770 mm and a width of 1215 mm. The second one with all the boxes in vertical position for a total height of 1215 mm and a width of 1770 mm.



NOTES:
When placing the cardioid array keep a distance to walls or other obstacles of at least 80 cm (2.6 ft) in order not to affect the radiation of the reversed cabinet.
When placing multiple cardioid arrays keep a distance between them of at least 80 cm (2.6 ft) in order to maximize the combined radiation of whole arrays.





NOTES:
 When placing the cardioid array keep a distance to walls or other obstacles of at least 80 cm (2.6 ft) in order not to affect the radiation of the reversed cabinet.
 When placing multiple cardioid arrays keep a distance between them of at least 80 cm (2.6 ft) in order to maximize the combined radiation of whole arrays.

LIMITED WARRANTY

Proel warrants all materials, workmanship and proper operation of this product for a period of two years from the original date of purchase. If any defects are found in the materials or workmanship or if the product fails to function properly during the applicable warranty period, the owner should inform about these defects the dealer or the distributor, providing receipt or invoice of date of purchase and defect detailed description. This warranty does not extend to damage resulting from improper installation, misuse, neglect or abuse. Proel S.p.A. will verify damage on returned units, and when the unit has been properly used and warranty is still valid, then the unit will be replaced or repaired. Proel S.p.A. is not responsible for any "direct damage" or "indirect damage" caused by product defectiveness.

- This unit package has been submitted to ISTA 1A integrity tests. We suggest you control the unit conditions immediately after unpacking it.
- If any damage is found, immediately advise the dealer. Keep all unit packaging parts to allow inspection.
- Proel is not responsible for any damage that occurs during shipment.
- Products are sold "delivered ex warehouse" and shipment is at charge and risk of the buyer.
- Possible damages to unit should be immediately notified to forwarder. Each complaint for package tampered with should be done within eight days from product receipt.

SAFETY INSTRUCTIONS

- To reduce the risk, close supervision is necessary when the product is used near children.
- Protect the apparatus from atmospheric agents and keep it away from water, rain and high humidity places.
- This product should be site away from heat sources such as radiators, lamps and any other device that generate heat.
- This product should be located so that its location or position does not interfere with its proper ventilation and heating dissipation.
- Care should be taken so that objects and liquids do not go inside the product.
- The product should be connected to a power supply mains line only of the type described on the operating instructions or as marked on the product. Connect the apparatus to a power supply using only power cord included making always sure it is in good conditions.
- **WARNING:** The mains plug is used as disconnect device, the disconnect device shall remain readily operable.
- Do not cancel the safety feature assured by means of a polarized line plug (one blade wider than the other) or with a earth connection.
- Make sure that power supply mains line has a proper earth connection.
- Power supply cord should be unplugged from the outlet during strong thunderstorm or when left unused for a long period of time.

CE CONFORMITY

Proel products comply with directive 2004/108/EC (EMC), as stated in EN 55103-1 and EN 55103-2 standards and with directive 2006/95/CE (LVD), as stated in EN 60065 standard.

PROEL S.p.A. (World Headquarter) - Via alla Ruenia 37/43 - 64027 Sant'Omero (Te) - ITALY
Tel: +39 0861 81241 Fax: +39 0861 887862 www.axiomproaudio.com

