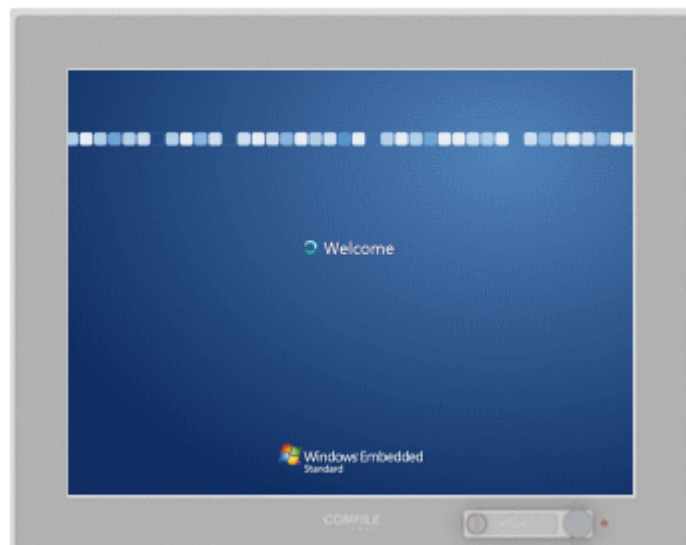


# CUPC

# Hardware Manual

(P300)

[Version 1.0]

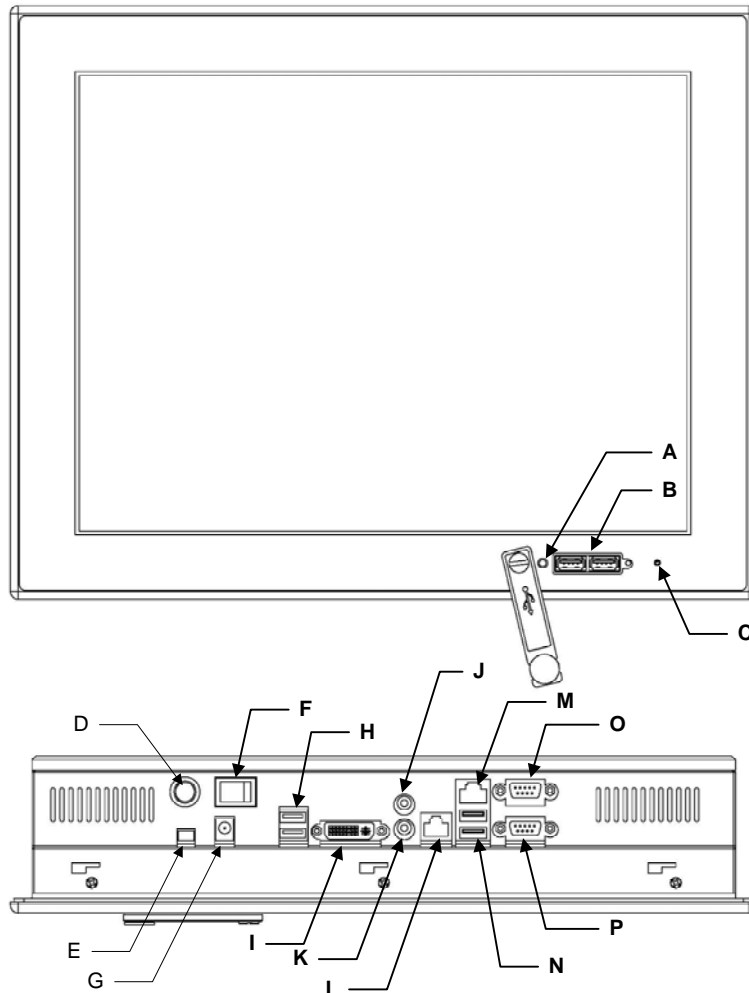


**COMFILE**  
TECHNOLOGY

## 1. Hardware Specification

Item	Model
	CUPC-P300
CPU	AMD eOntario-FT1 APU, Tagget T56N 1.6GHz Dual Core Processor
Chipset	AMD Brazos Platform. AMD Hudson-1 Fusion Controller Hub.
Memory	1xSODIMM, DDR3 800-1333MHz Speed 4GB
Graphic & Display	AMD Radeon HD6310,HD6250 Graphics Core DX11, UVD3 Support. 1 Channel DVI Port.
LCD	15inch,16.7M Colors, XGA(1024x768), 300cd/m <sup>2</sup>
Backlight	2Channel CCFL LT : >50,000hr
Ethernet	2 x Gigabit Ethernet Controller. VIA VT6130 Gigabit Ethernet Chip. Support Auto MDI/MDIX, WOL.
Audio	VIATECH VT1708 HD Audio Codec. 1xHeadphone Out. 1xMic-In.
USB	4 x Universal Serial Bus Support Support USB2.0 EHCI Controller
HDD	120GB SATA SSD
Serial	2 x RS232C Serial
Input Power	DC+12V
Power Consumption	<33W (2.7A@12V)
Dimension(mm)	376(H) x 300(V) x 79(D)
Weight	5.2Kg
Operating Temperature	0 <sup>0</sup> C ~ 60 <sup>0</sup> C

## 2. Input/Output Ports



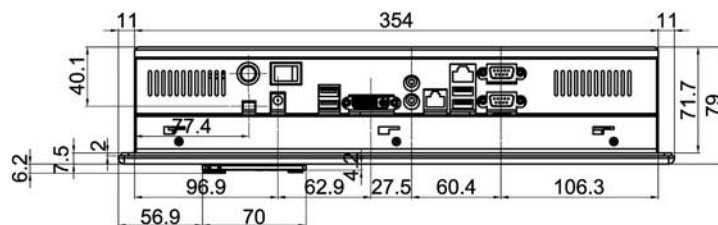
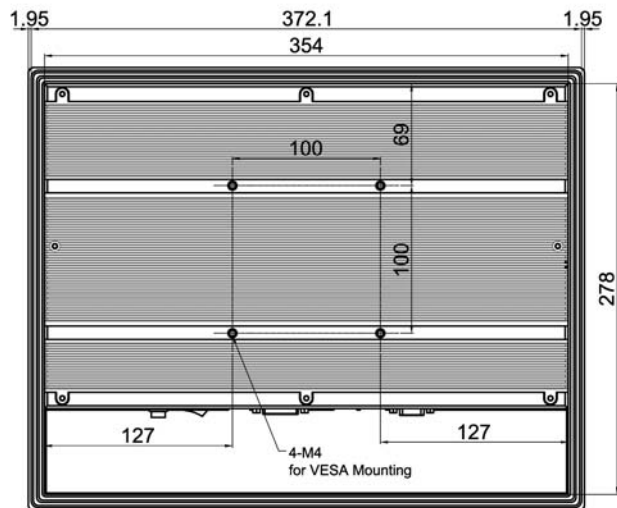
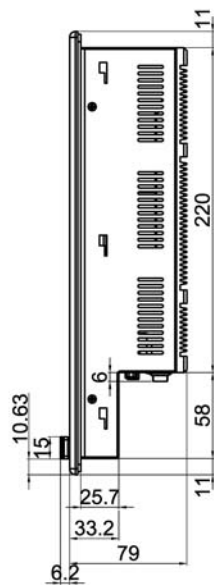
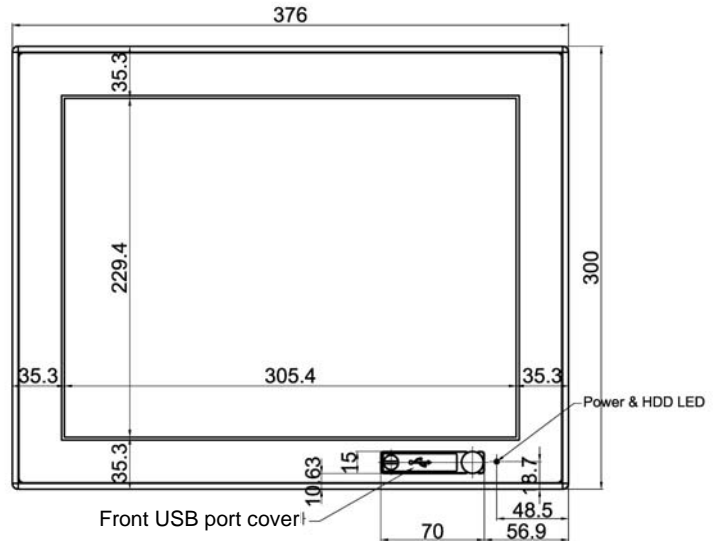
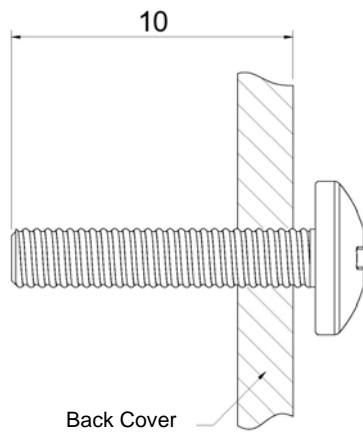
	Name	Description
A	ATX Power Switch	Press to power on. Press and hold to power off.
B	Front USB Ports	USB5/USB6 ports. (USB 2.0)
C	Power/HDD LED	Green when powered on. Red when hard disk is being read or written.
D	ATX Power Switch	Same as A.
E	External Power Switch	Connector for adding an external ATX power switch
F	Power Supply Switch	Switches power supply on or off.
G	DC IN	ø2.5 power adaptor connector. (DC +12V)

---

H	USB Port	USB1/USB2 ports. (USB 2.0)
I	DVI Port	DVI output for connecting an external monitor.
J	Audio Out	Speaker output jack connecting external speakers
K	MIC IN	Microphone input jack.
L	LAN2 Port	100BaseT RJ-45 Ethernet port
M	LAN1 Port	100BaseT RJ-45 Ethernet port
N	USB Port	USB3/USB4 ports. (USB 2.0)
O	COM2 Port	COM2 port. RS232C D-SUB, 9-pin, male
P	COM1 Port	COM1 port. RS232C D-SUB, 9-pin, male

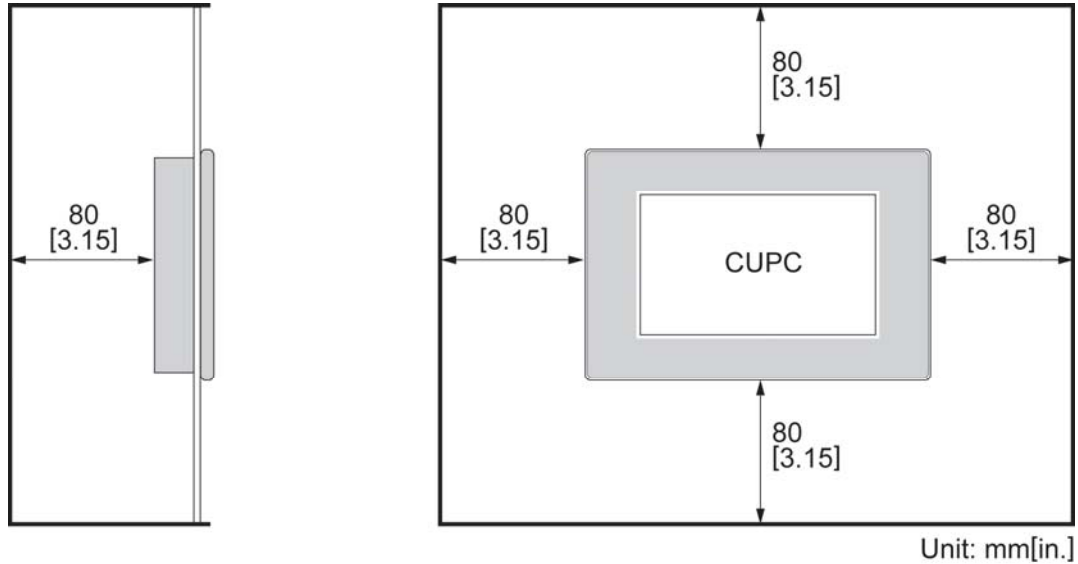
### 3. Dimensions

Avoid using long bolts when assembling VESA mounts or add-on board.  
The inner maximum length is about 10mm.

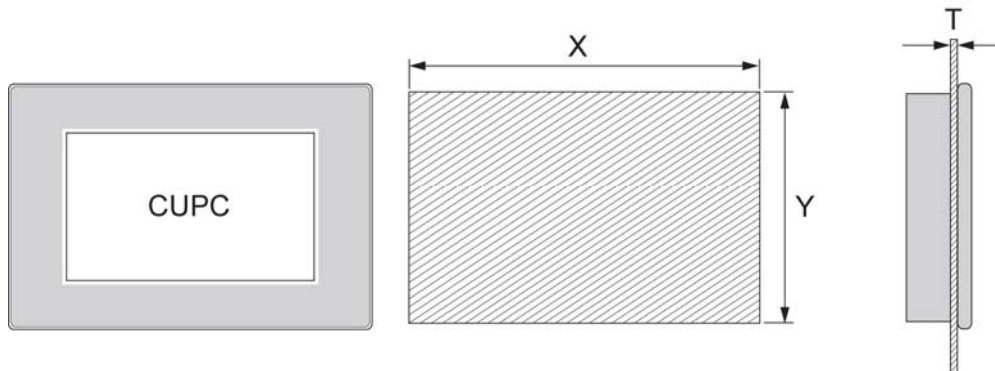


## 4. Panel Cutout

### Recommended Clearance



### Recommended Paneling Dimensions



X: Panel Cutout Width, Y: Panel Cutout Height, T: Panel Thickness

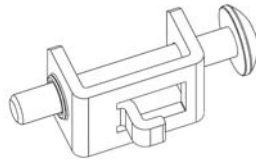
Unit: mm[inch]

CUPC	X	Y	T
P300	355 [13.98]	279 [10.99]	1.6 to 12.0 [0.06 to 0.47]

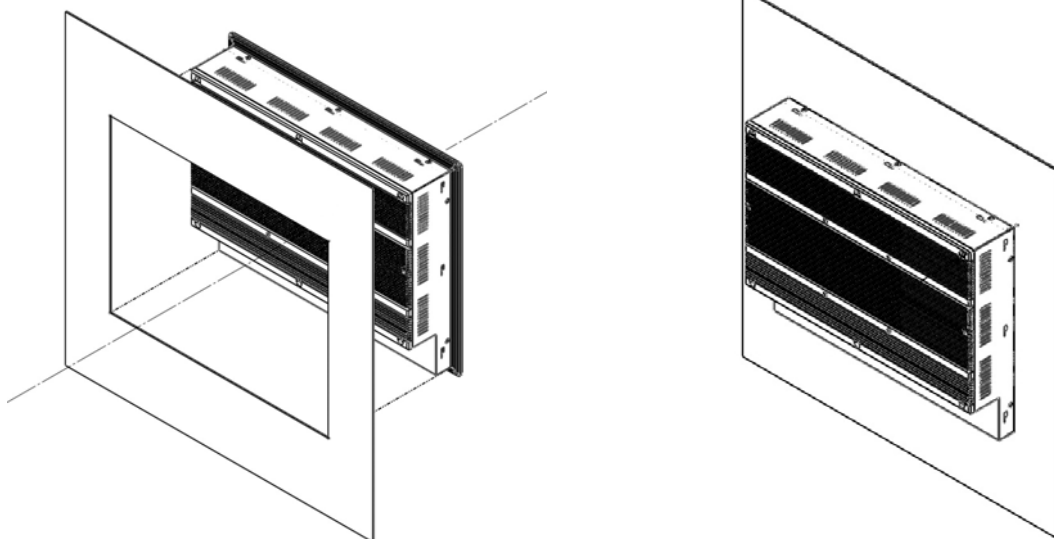
## 5. Mounting Brackets and Front Cover

### ■ Mounting Brackets

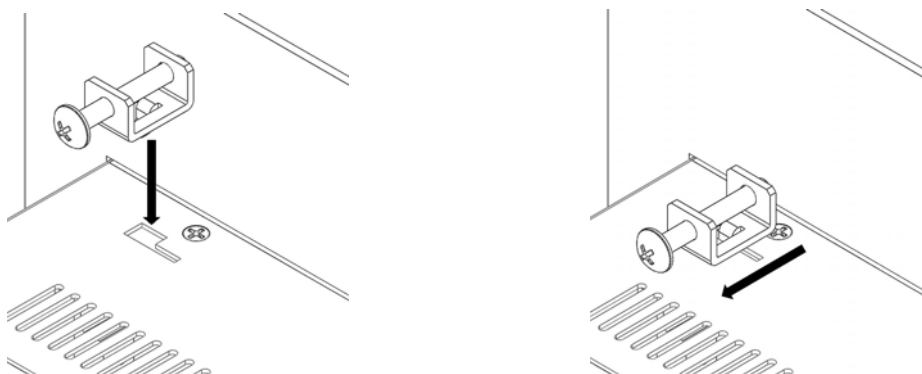
Panel mounting brackets are supplied to mount the CUPC to an upright panel (upper/lower/left/right 2ea.).



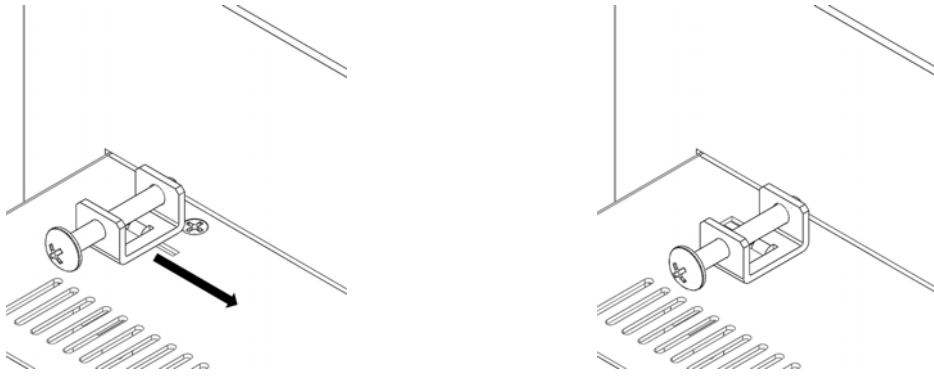
1. Insert the product into the panel's cutout.



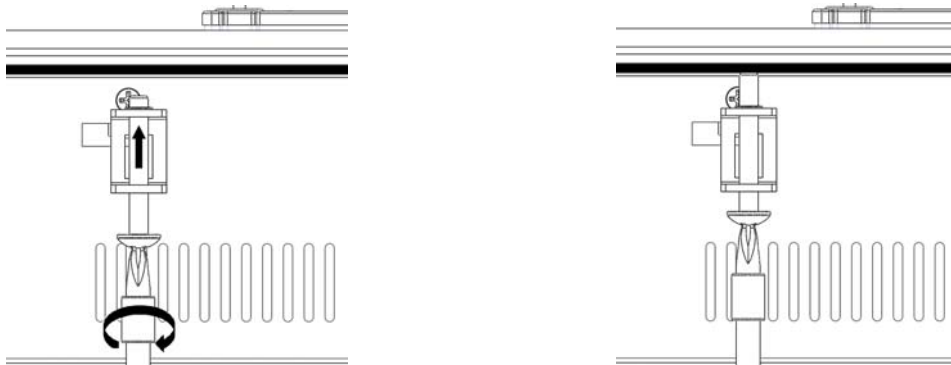
2. Insert the bracket's hook into the product's bracket mounting slot.



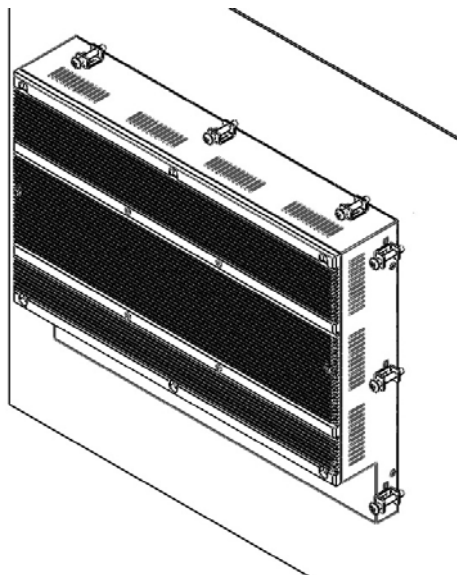
3. Slide it to the side to secure it in place.



4. Fasten the bolts to secure the product to the panel. (Warning! To avoid damage or deformation, be careful not applying too much torque when fastening the bolts)



5. Repeat steps 2 ~ 4 until product is mounted as shown in the image below.

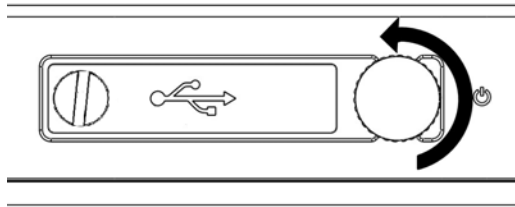


- Rear view of CUPC with bracket mounting completed -

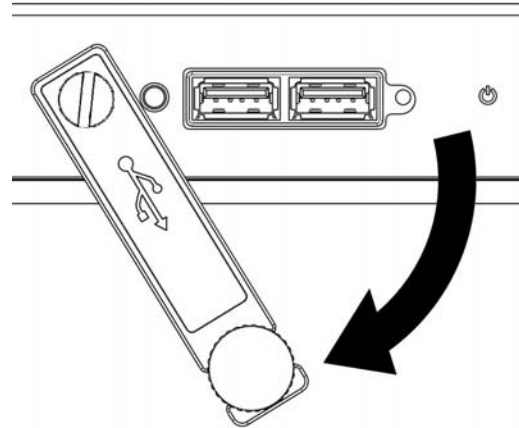


## Front Cover

1. Loosen the thumb-wheel on the right of the cover and rotate the cover downward to reveal the front USB ports and ATX power switch.

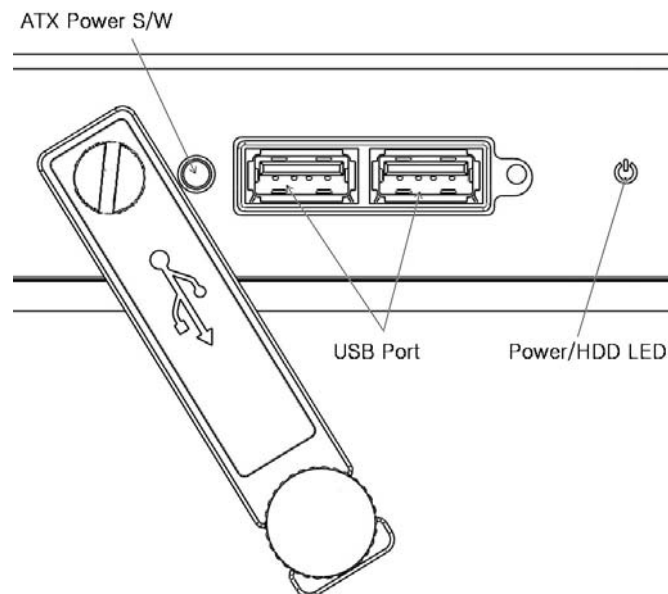


– Loosen the cover’s thumb-wheel –



– Rotate cover downward –

2. The front-facing ATX switch and USB ports will be revealed as shown in the image below.

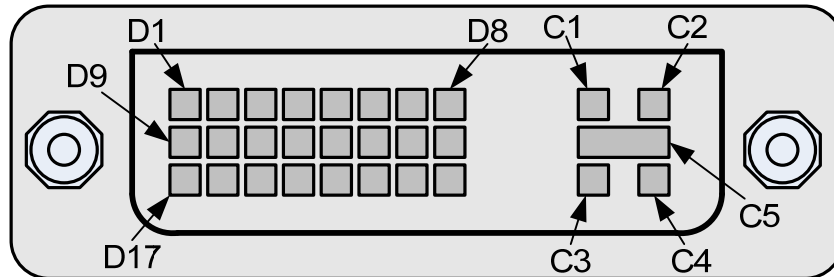


- Front cover revealing ATX power switch and front-facing USB ports –

3. Do the reverse of the above to return the cover to its original position. (Excessive use of this cover has the potential to cause the screw on the left to grow loose. If this occurs, use a small coin to tighten.)

## 6. I/O Connectors

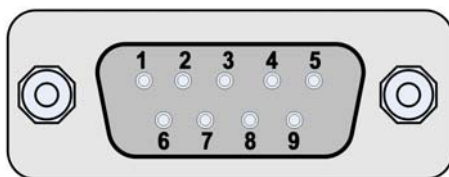
### I DVI Output Connector



Pin Assignment

Pin	Description	Pin	Description	Pin	Description	Pin	Description
D1	TMDS_D2-	D2	TMDS_D2+	D3	GND	D4	-
D5	-	D6	DVI DDC_CLK	D7	DVI DDC_DATA	D8	VGA_VSYNC
D9	TMDS_D1-	D10	TMDS_D1+	D11	GND	D12	-
D13	-	D14	DVI DDC_VCC	D15	GND	D16	DVI HPD
D17	TMDS_D0-	D18	TMDS_D0+	D19	GND	D20	-
D21	-	D22	GND	D23	TMDS_CLK+	D24	TMDS_CLK-
C1	Analog RED	C2	Analog GREEN	C3	Analog BLUE	C4	VGA_HSYNC
C5	GND						

### I RS232C Input/Output Connector (COM1,COM2)

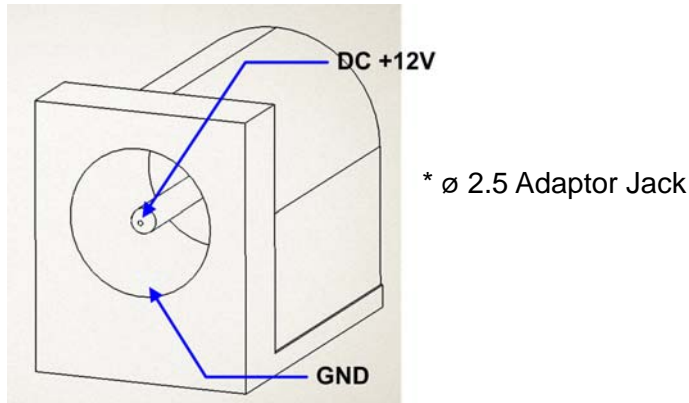


\*D-SUB 9Pin Male

Pin Assignment

Pin	Description	Pin	Description
1	DCD	2	RXD
3	TXD	4	DTR
5	GND	6	DSR
7	RTS	8	CTS
9	RI	-	-

## Power Input Connector



 **Caution for wiring**

- Please make sure if every power supply is off before starting wiring.
- Please check the voltage and cables before supplying power.

## 7. Warranty Policy

### ■ Warranty Period

The products are warranted to be free of defects in materials and workmanship for 1 year from the date of purchase.

### ■ Warranty Exclusions

The warranty does not cover abrasion and is considered void if the product is opened by unauthorized personnel, damaged by abnormal use, heat or humidity, or used against recommendations in the product manual.

### ■ Request of Warranty Repair

If the products have defect(s) during the warranty period, the customer should inquire at the manufacturer or dispatch the products with a description of the problem to the address the manufacturer provides. If the request is appropriate, the manufacturer will repair and return the product back to the customer.

### ■ Limitation of Liability

The manufacturer and distributor are not responsible for damages or breakdowns by direct or indirect causes, and the maximum duty by manufacturer and distributor are limited to the total amount paid by the customer. The limitations or exclusions of warranty have priority over any other warranty expressed explicitly, implicitly, in writing, or orally.

# CUPC

## Hardware Manual

### (P300)

#### Contact Information

Should you need any additional information or assistance about CUPC, please feel free to contact us.

**Comfile Technology Inc.**

1175 Chess Dr., Suite F, FOSTER CITY, CA 94404, U.S.A

**Telephone**

**Toll-Free : (888) 9CUBLOC, (888) 928 2562**

Office : (650) 638 1350

Fax : (650) 638 1360

Office Hours: Monday-Friday 8am-5pm PST

**E-mail**

Sales: [sales@comfiletech.com](mailto:sales@comfiletech.com)

Technical Support: [support@comfiletech.com](mailto:support@comfiletech.com)