



City COLOR IP-54

PATENT SYSTEM

PATENT WO99/40361

User's and operator's manual for art. 0002•0003
Manuale d'uso e dell'operatore per art. 0002•0003

Safety informations page 2

Technical features..... page 3

Before using..... page 4

Lamp installation, replacement and setting page 5

Installation of the dust proof filters page 6

Control panel and configuration..... page 7

Programming functions page 8

Use of the CityColor in DMX 512 page 9

DMX signal connection..... page 10

DMX line and termination page 11

Automode functioning page 12

Troubleshooting page 13

System board connection page 15

Electric diagrams page 17

Components and parts..... page 22

Technical drawings..... page 23

Appendix A (DMX values)..... page 26

Appendix B (games)..... page 27



PATENT WO99/40361



WARNING

SAFETY INFORMATION

**READ ALL CAUTIONS AND WARNINGS PRIOR TO OPERATE THIS EQUIPMENT.
INSTRUCTION TO PREVENT INJURY OR DAMAGE DUE TO ELECTRIC SHOCK, FIRE, MECHANICAL HAZARDS,
UV RADIATION HAZARDS AND DANGEROUS MATTERS.**

•PROTECTION AGAINST DANGEROUS MATTERS

At the end of its working life, the product must not be disposed of as urban waste. It must be taken to a special local authority differentiated waste collection centre or to a dealer providing this service. The wrong disposal must be cause of environment and people damages in the presence of possible dangerous matters. There are provided for sanctions to a unauthorized disposal of these products.



•PROTECTION AGAINST FIRE

1) This equipment is designed for use with the following lamps only:
(1800) Philips MHN/SA 1800W e (2500) Philips MSA/DE 2500W

DO NOT USE ANY OTHER TYPE OF LAMP!

- 2) Maintain minimum distance of 0.5 meter from walls or any other type flammable surfaces.
- 3) Maintain minimum distance of 2.0 meter to lighted objects .
- 4) Replace fuses only with the specified type and rating.
- 5) Do not install the spot close to heat sources. Do not lay the connection cable on the spot when it is warm.



•PROTECTION AGAINST ELECTRIC SHOCK

- 1) **This equipment must be earthed.**
- 2) Class I equipment. The power supply cord includes a protective earthing conductor as part of the cord.
- 3) Disconnect power before installing the lamp or servicing (service personnel).

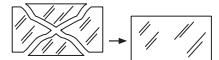


•PROTECTION AGAINST MECHANICAL HAZARDS

- 1) Use secondary safety chain when fixing this equipment.
- 2) Hot lamp explosion hazard. Do not open the equipment for 300 seconds after switching off.
- 3) Equipment surface may reach temperature up to 100°C. Allow about five minutes before handling.
- 4) Replace the lamp if it is damaged or thermally deformed.

•PROTECTION AGAINST UV RADIATION HAZARDS

- 1) Do not start on this equipment without lamp enclosure or if the protection screens, or ultraviolet screens are damaged.
- 2) The protection screens, the lenses, or the ultraviolet filters must be replaced if they are visibly damaged and their effectiveness has been reduced, for example, by cracks or deep scratches. **Part 140/a, code SDO52000015**
- 3) Do not look directly at the lamp while lamp is on.



INTRODUCTION

Thank you for using our flood projector CityColor.

The CityColor projects, thanks to an extremely efficient optic system (patent n. WO99/40361), a powerful light beam which can create numberless color shades. Its performances, in terms of luminosity and lighted surfaces, can reach incredible levels.

The CityColor IP54 comes in the following versions:

- Art. 0002 CITYCOLOR IP54 1800W
- Art. 0003 CITYCOLOR IP54 2500W High Power

The CityColor can work in automatic mode or in synchro mode, otherwise may be controlled by 8 bit DMX controllers

The input protocol is the DMX 512. To drive the CityColor we suggest to use either our controller DMX Control Spot, the Control Show 512 the Easy Control or the Fancy.

To make the most of its possibilities and for a correct functioning of this unit in the years to come, we suggest you to read carefully this manual before connecting or putting the spot into use. By doing so you will gain experience with its commands and connections and you will be easily able to use it.



WARNING

Check that the spot has not been damaged during transport. If it has been damaged or it does not work, address the seller. Whether the spot has been shipped to you directly, please contact the shipping company. Only the consignee (person or company) can claim for these damages.

YOUR REFERENCE

Always remember to give the serial number and to specify the model any time you address the seller for information or assistance.

BASIC KIT

The basic kit of the CityColor flood projector consist of:

- Projector
- User's manual
- Power connector
- Studio Due warranty

Available on request:

- art. 9801/a: barndoor to define illuminated surface
- art. 0003/a: anti glare
- art. 0002/a: XLR 3 pin male IP54 connectors
- art. 0002/b: XLR 3 pin female IP54 connectors
- Lamp

TECHNICAL FEATURES

• LAMPS

MHN/SA 1800W PHILIPS (art. 0002)
Color temperature: 5.600°K
Lamp life: 2.500 hours
Luminous flux 180.000 lm

MSA/DE 2500W PHILIPS (art. 0003)
Color temperature 6.000°K
Lamp life 2.000 hours
Luminous flux 260.000 lm

• OPTIC COLOR SYSTEM

Full CYM color mixing, unlimited variety of colours and shades. High resolution stepper motors. Shutter + dimmer. The color changer can be driven with 4 different speeds or in real time.

• BEAM ANGLE: (50% intensity) 50°x52°

• CONTROL INPUT

Standard interface: RS-485; opto-couplet input.
Protocol: USITT DMX 512

• SETUP AND CONFIGURATION

On the control panel with menu and buttons

• AUTOMODE

Stand-alone control: auto mode function master/slave (synchro mode) with 27 programs

• IP RATE: IP 54

• POWER SUPPLY: (art. 0002) magnetic ballast

Rated voltage: 230V~/50Hz
On request: 200V~/50Hz; 208V~/60Hz; 230V~/60Hz; 240V~/50Hz
Rated current: 10A @230V~
Rated power: 2000W

• POWER SUPPLY: (art. 0003) magnetic ballast

Rated voltage: 230V~/50Hz
On request: 200V~/50Hz; 208V~/60Hz; 230V~/60Hz; 240V~/50Hz
Rated current: 14A @230V~
Rated power: 3000W

• POWER FACTOR CORRECTOR: built-in cos Ø 0.9

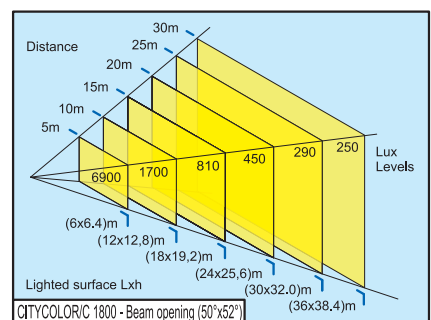
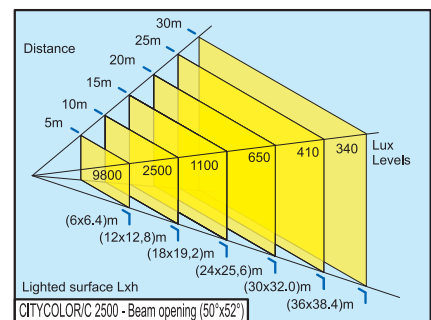
• DMX CHANNELS

ch1 = motors speed
ch2 = cyan
ch3 = yellow
ch4 = magenta
ch5 = dimmer
ch6 = basic colors + rainbow
ch7 = remote reset/lamp off

• DIMENSIONS (wxdxh)
mm 780x560x740

• WEIGHT

art. 0002: 56 kgs. net
art. 0003: 69 kgs. net



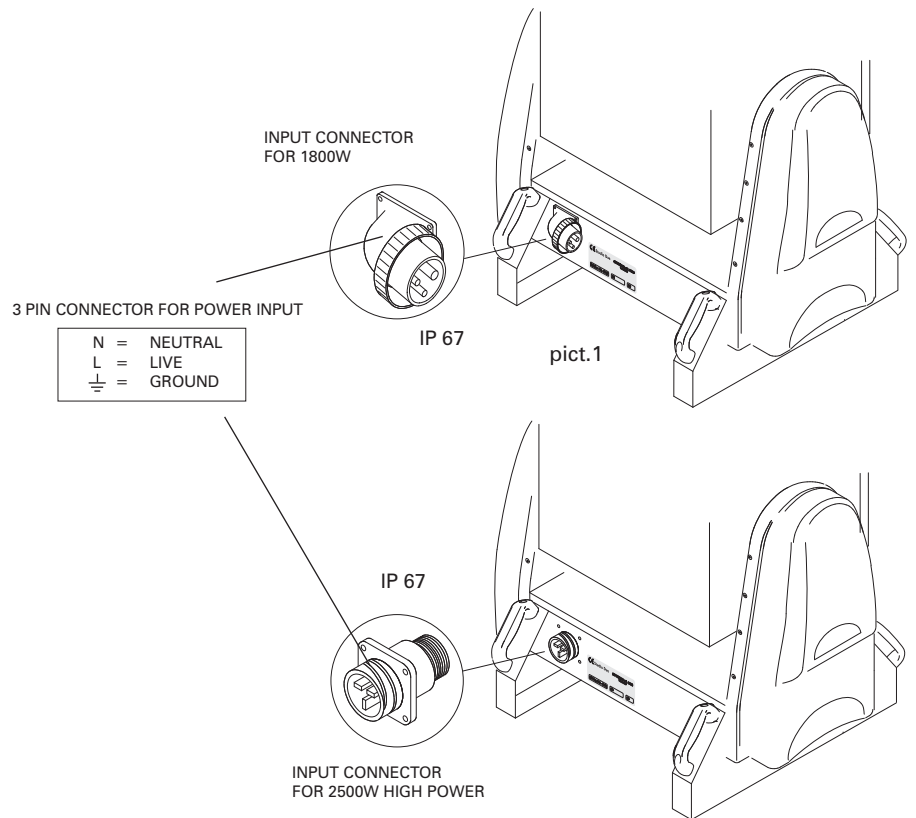
CIRCUIT BREAKER		
MAINS VOLTAGE	In	Id
230V	32A	0,03A

CE Studio Due CITYCOLOR art. 0002

Keep at least a distance of 0,5 mts between the apparatus and inflammable surface nearby.
Disconnect the unit from power before servicing.

230Vac; 15A - 50Hz SN QC

CONDUCTOR SIZES (length < 20mt.)	
MAINS VOLTAGE	CROSS SELECTIONAL AREAS
230V	3X1,5 mm ² (minimum)



BEFORE USING



WARNING

The equipment must be earthed.

IP 54 rate: the equipment must be installed on the horizontal plane.

Read all cautions and warnings to page 1 prior to install this equipment. Particularly, read the follow:

- 1) Disconnect power before lamp's replacement or servicing (service personnel)
- 2) Do not open the lamp cover for 300 seconds after switching off
- 3) Wear gloves and goggles to re-lamping or to work inside the unit (service personnel)

Before connecting the equipment to the power system: make sure that the mains voltage and frequency correspond to rated values.

- The CityColor can be equipped for a mains voltage 230V~ /50Hz.
on request: 200V~/50Hz; 208V~/60Hz; 230V~/60Hz; 240V~/50Hz

For a power supply of 100V~ 120V~ it is necessary to use one auto transformer with the following features:

- Output voltage 230V~
- Output current 15A @230V~ (for art. 0002)
- Output current 20A @230V~ (for art. 0003)

The power supply cords construction is shown in pict.1. For connection to the mains supply proceed as pict.1.

The equipment must be connected to branch circuit having a circuit-breaker $I_n=16A \cdot I_d=0.03A$ (230V~) (art. 0002) or $I_n=32A \cdot I_d=0.03A$ (230V~) (art.0003)

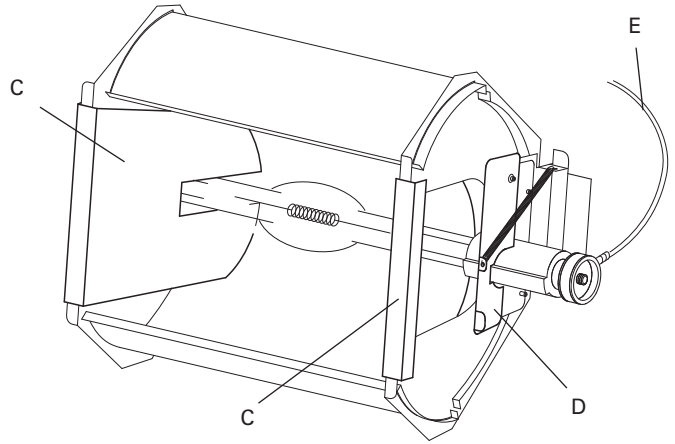
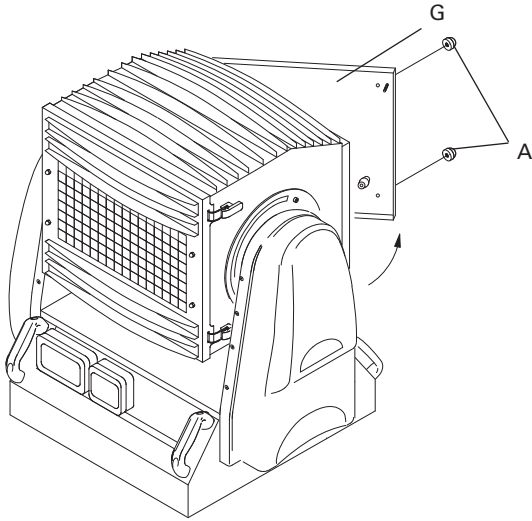
- a) Do not install the spot close to the heat sources. Observe minimum distance between the spots of 1.5 meters. Do not lay the connection cable on the spot when it is warm.
- b) This unit must be positioned as to allow its ventilation. Be careful not to occlude the in-out ventilating grilles.
- c) The unit must be positioned at least 50cm. from walls or other flammable surfaces.
- d) Observe minimum distance to lighted objects of 5 meters.

External surface temperature T_a 35°C:

- After 5 minutes work; $T_c=75^\circ C$.
- Once the thermic balance has been obtained; $T_c=100^\circ C$.

- 4) The protection screens, the lenses, or the ultraviolet filters must be replaced if they are visibly damaged and their effectiveness has been reduced, for example, by cracks or deep scratches.
- 5) The lamp must be replaced if it has been damaged or thermally deformed.
- 6) Clean regularly the in-out ventilating grilles.
- 7) Do not handle the spot by taking it by the head, but always by using the special handles.

pict.2



WARNING

In case of replacement of the lamp or maintenance, do not open the fixture unless 5 minutes have passed from the switching off. This operation has to be done when the apparatus is disconnected from the mains supply

INSTALLATION OF THE DISCHARGE LAMP

(see pic.2)

- 1) Disconnect power before lamp' s replacement. Wear gloves and goggles.
- 2) Remove completely the pommels (A) on the base of the head
- 3) Open the base of the lamp room (G)
- 4) Remove the two lateral reflectors (C)
- 5) Lift up the two lampholder (D)
- 6) Install the new lamp. Taking care that protuberance of the bulb is set towards the reflector
Do not touch the quartz bulb with fingers. If this happens, clean the bulb before use with dry cloth and alcohol.
- 7) Put down the two upper lampholders (D)
- 8) Connect the cables (E) to the two ends of the lamp or connect the two cables of the lamp to the two red insulators on the rear panel of the head.
- 9) Put in again the two lateral plane reflectors.
- 10) Close the rear panel and install again the two pommels (A) and hold them tightly.

IP RATE

The declared IP rate of the CityColor comes supported at these conditions:

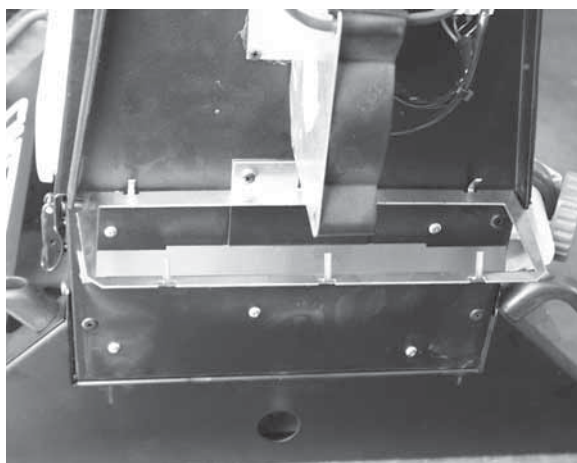
- the installation of the fixture on a wide and stable surface
- the air cooling input and output are located on the base of the side-shell,
it is not possible to install the fixture outdoor with the ballast upwards
- you must use the filter supplied with the basic kit for the IP RATE 54

WARNING

**The CityColor has a IP rate 44 without filters installed and an IP RATE 54 with filters installed.
You must use the filters in critical working conditions and, normally, when the fixture works outdoor.
You must remove the filters when the ambient temperature is over 35°C.
You must regularly clean the filters to allow the correct cooling of the fixture.**

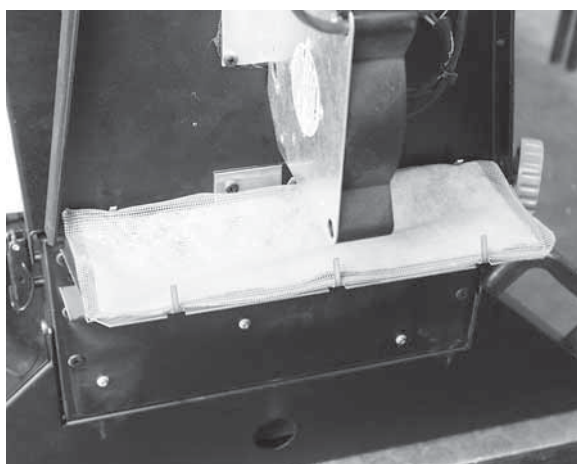
INSTALLATION OF THE DUST PROOF FILTERS

WARNING You must operate with power supply disconnected from the fixture

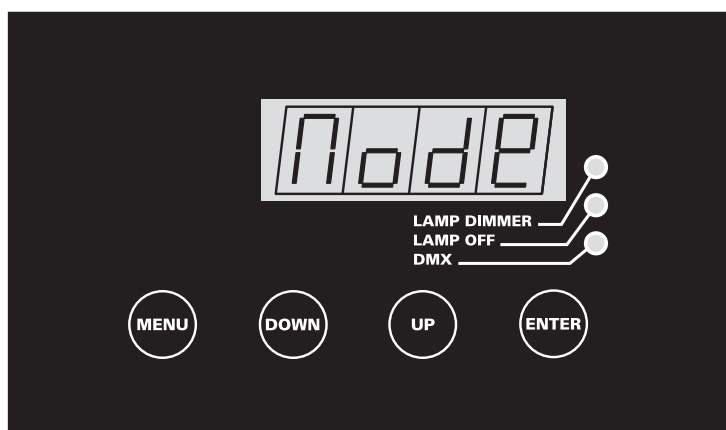


pict.3

You must remove the two side protective shells. The two filters must be assembled on the bulkheads at the bottom of the side brackets.



Pay attention to the installation: dust proof filters must stick correctly to prevent the entrance of the dust. You must control that the two filters completely cover the overall of the air entrance.



pict.4

CONTROL PANEL

On the control panel of the CityColor (pict.4) you can find, besides the display, the leds and the buttons to use to set the spot.

LED

- "DMX" led flashing: DMX input present
 off: no DMX input
- "LAMP" led flashing: the lamp switching off is remotely controlled
 off: lamp switched on
- "DIMMER" led flashing: the lamp is 33% dimmered
 off: lamp switched on

BUTTONS

Four buttons are used to programme the spot:

- MENU to select the programming options
- DOWN to go backward in the selected options
- UP to go forward in the selected options
- ENTER to confirm the selected options

DISPLAY

Shows the various menus and the selected options.

SUMMARY OF THE PROGRAMMING FUNCTIONS OF THE CITYCOLOR

Addr

Addr

nChn

nChn

Mode

Mode

teSt

teSt

LHrS

LHrS

FLIP

FLIP

FHrS

FHrS

rSEt

rSEt

About twenty seconds after the switching on, the number of the software version will be shown on the display in "X_00" format. Afterwards the first of the eight available menus will appear:

Addr	to assign the DMX-512 address
Mode	DMX512 mode, master with pre-set selection, slave
LHrS	lamp working hours
FHrS	fixture total working hours
nChn	channels number
teSt	auto-test
FLIP	display inversion
rSEt	reset of the spot

To select any of the given options, press the MENU button up to when the required one is shown.

Addr (Address)

To visualise the DMX address press ENTER.

To modify the address press Down and Up buttons and, once the required address has been selected, press and keep ENTER pressed up to when the display stops flashing (it flashes to indicate that the selected option is different from the pre-set one). To go back to the options without making any change, press the MENU button.

Mode (Mode)

To visualise this mode press ENTER.

Use Down and Up buttons to change the mode and, once the required one has been selected, press and keep ENTER pressed up to when the display stops flashing (it flashes to indicate that the selected option is different from the pre-set one). The available options are: no (normal) for the functioning in DMX reception; Pr01...Pr15 (pre-set 01...15) for the master functioning with the respective game, SL (slave) for the functioning as slave. To go back to the options without any change, press the MENU button.

LHrS (Lamp Hours)

To visualise the number of working hours of lamp press ENTER.

The maximum countable number of hours is 3000. Exceeding this number, the display will show gr3t (greater than 3 thousands). To reset the counter press simultaneously buttons Down and UP: the display will show CLLH (clear lamp hours). To go back to the options without making any change, press the MENU button.

FHrS (Fixture hours)

To visualise the number of working hours of fixture press ENTER.

The maximum countable number of hours is 3000. Exceeding this number, the display will show gr3t (greater than 3 thousands). To reset the counter press simultaneously buttons Down and UP. A control of the memory will be run and all the default settings will be stored: the display will then show Init. If the memory is damaged, the display will show the message FAIL. To go back to the options without making any change, press the MENU button.

nChn (Number of Channel)

To visualise the number of channel press ENTER.

Use Down and Up buttons to change the channel and, once the required one has been selected, press and keep ENTER pressed up to when the display stops flashing (it flashes to indicate that the selected option is different from the pre-set one). It is possible to set 6 channels or 7 channels (remote reset and remote lamp switch off). To go back to the options without making any change, press the MENU button.

teSt (Autotest)

To insert the auto-test press ENTER and keep it pressed up to when the display shows the flashing message t-on (test on). To take off the auto-test press the MENU button. To go back to the options without making any change, press the MENU button.

FLIP (Display overturning)

The display visualisation can be standard or overturned: by pressing the ENTER button the two modes will be alternatively visible. The selected one will be immediately stored in the spot setting.

To go back to the options without making any change, press the MENU button.

rSEt (Reset)

To run the complete reset press ENTER and keep it pressed up to when the display shows the flashing message r-on (reset on).

Once the reset procedure has been completed the spot will go back to the normal setting. To go back to the options without making any change, press the MENU button.

DRIVING THE CITYCOLOR WITH A DMX REMOTE CONTROLLER

- Select the requested DMX starting address by operating on the Addr option
- Select the requested number of channel with NChn option
- Connect the DMX signal between the fixture and the controller
- Check that the DMX led is flashing. (DMX signal present)
- If there is no signal, you must manually reset by operating on the RESET option

It is possible to choose a standard configuration occupying 6 DMX channels, or a enhanced configuration occupying 7 channels. Use the enhanced configuration if you want to activate channel 7 which enables the reset of the motors and the switching off of the lamp from the controller.

6/7 CHANNELS MODE SELECTION

Press the MENU button on the control panel up to when the option nChn is shown on the display, select it by pressing ENTER and the set indication will appear (6 or 7 channels). If you want to activate channel 7 you must set 6 channels on the display. Pass through the numbers by pressing the buttons UP and DOWN: once you have set the required number, store it by pressing the ENTER button and keep it pressed up to when the display stops flashing (the flashing shows that the selected option is different from the one previously stored). To exit from the selected option without making any change press the MENU button.

Here below is shown the complete list of the functions of the CityColor.

The complete list of the DMX values can be found in appendix "A", page 26

7 CHANNELS

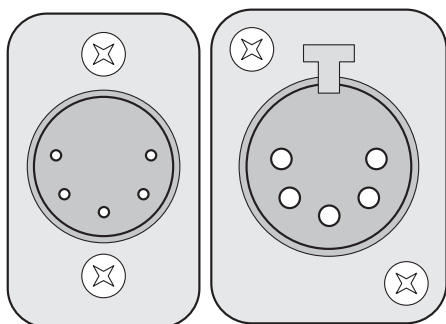
CH 1= Motor speed
CH 2= Cyan
CH 3= Yellow
CH 4= Magenta
CH 5= Dimmer
CH 6= Basic colors+rainbow
CH 7= Remote reset/Lamp off

6 CHANNELS

CH 1= Motor speed
CH 2= Cyan
CH 3= Yellow
CH 4= Magenta
CH 5= Dimmer
CH 6= Basic colors+rainbow

 **WARNING** When using CYM color mixing, the basic colors channel # 6 must be set at: 00=DMX value

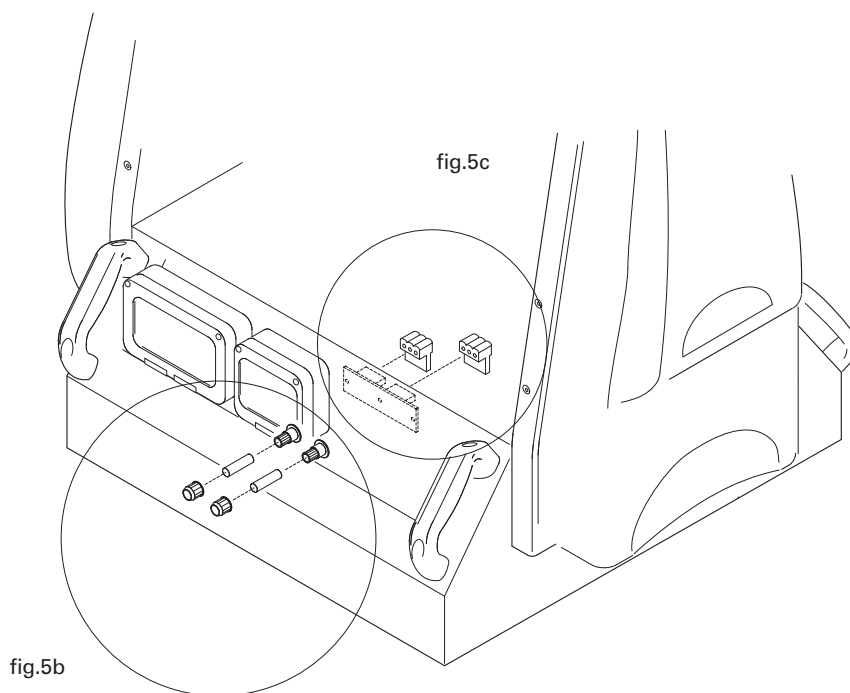
CONNECTION THE DATA LINK (DMX 512)



pict.5

PIN	WIRE	SIGNAL
1	SHIELD	GROUND/RETURN/OV
2	INNER CONDUCTOR	DATA COMPLEMENT (-, INVERTED)
3	INNER CONDUCTOR	DATA TRUE (+, NON INVERTED)

pict.5a



The connection of the DMX signal to the CITYCOLOR must be made by using the signal input XLR 5 pin connectors which are located on the control panel of the fixture. (pict.5)

The pin nomenclature of the connectors for the connection to the DMX signal is listed in the table. (pict.5a)

In order to avoid any problem in the signal transmission, it is warmly suggested to use a cable for high speed data transmission (sect. > 2x0.25 + gnd).

If the lines have a total length over 150-200 mts it is suggested to use a signal amplifier (art. 3004 - DMX repeater amplifier). The usage of a normal microphonic or audio cable is suggested only for lines max 100 mts long.

To ensure the IP54 rate you must connect the DMX cable inside the base. Use the given cables fixing (pict. 5b) and connect by following the cables numbering (pict. 5c).

DMX TERMINAL LINE

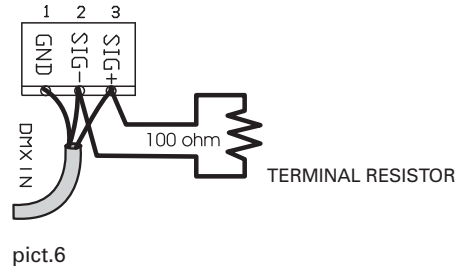


WARNING

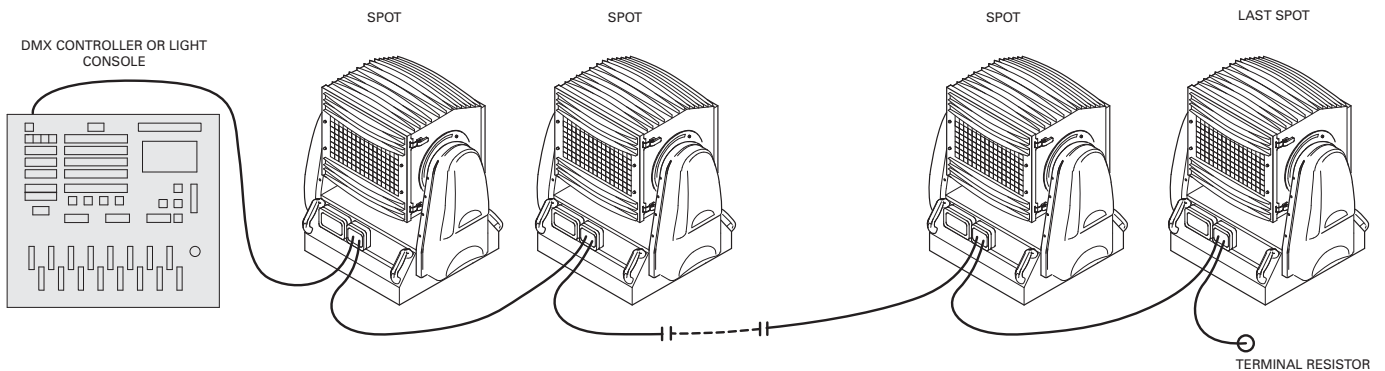
The wrong connection of the terminal line or its non-connection are probably the most frequent reasons for the defective functioning of the DMX line. The terminator is a resistor fitted between the two "data" lines (pins 2 and 3 of an XLR 5 pin connector) at the end of the cable furthest from the transmitter. The terminator resistor should have the same value as the impedance of the connection cable.

We supply a terminal with a 100 Ohm resistor.

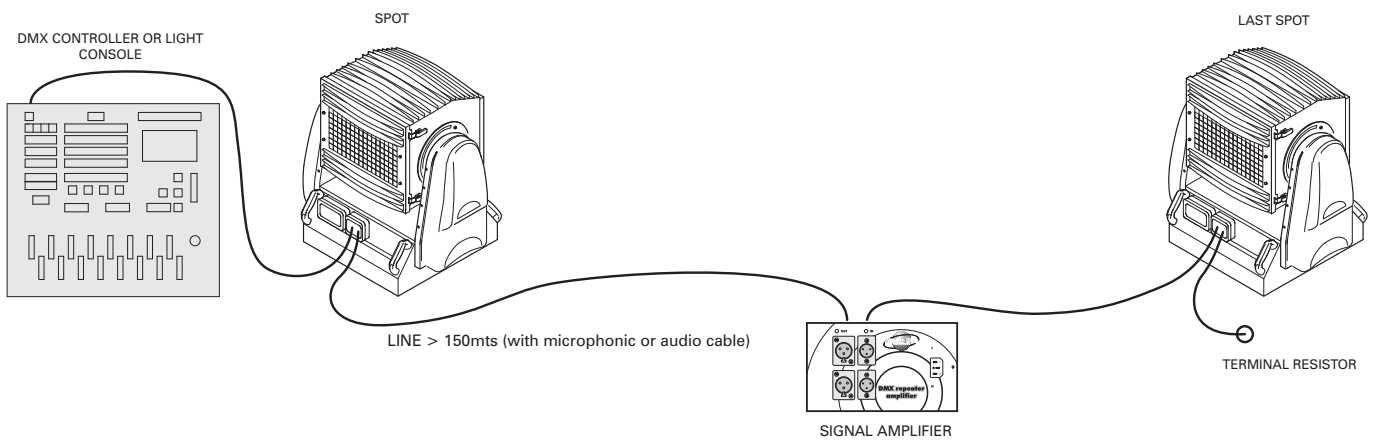
It is recommended that all DMX 512 systems have the termination resistor at the end of the line.

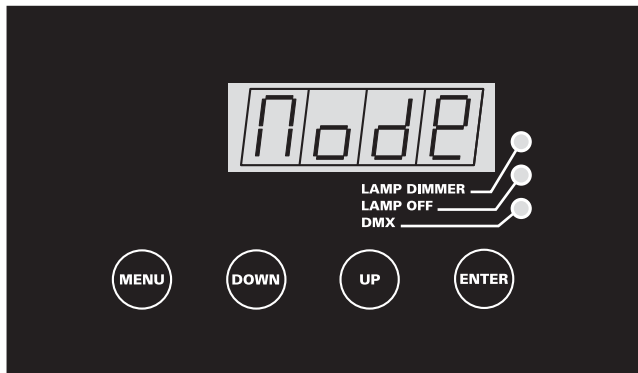


EXAMPLE 1 Connection controller-spot with 1 DMX 512 output

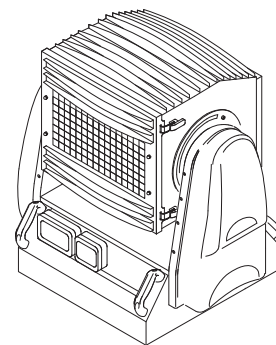


EXAMPLE 2 Connection controller-spot to one DMX 512 output over 150mts long





pict.7



MASTER

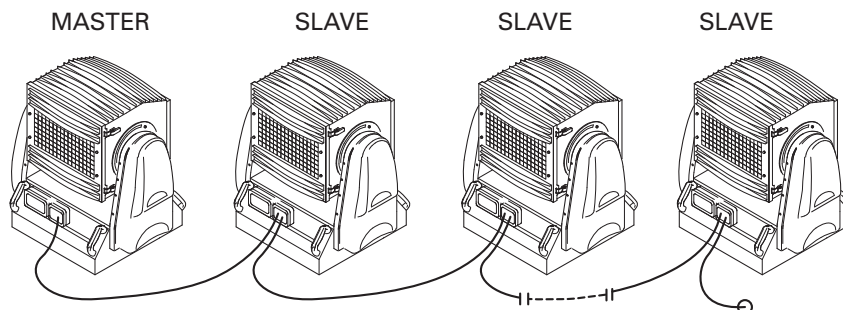
USE OF THE CITYCOLOR IN AUTO-MODE

A short list of the games can be found in appendix "B", page 27

Press the MENU button on the control panel up to when the option MODE (pict. 7) is shown on the display, select it by pressing ENTER and the set indication will appear (no...SL). Use Down and Up buttons to change the mode and, once the required one has been selected, press and keep ENTER pressed up to when the display stops flashing (it flashes to indicate that the selected option is different from the pre-set one). The available options are: no (normal) for the functioning in DMX reception; Pr01...Pr27 (pre-set 01...27) for the master functioning with the respective game, SL (slave) for the functioning as slave. To go back to the options without any change, press the MENU button.

Mode	no	use of the CityColor in DMX-512
	Pr1..Pr27	master functioning with execution of the 27 stored programme
	SL	use of the CityColor in SLAVE MODE

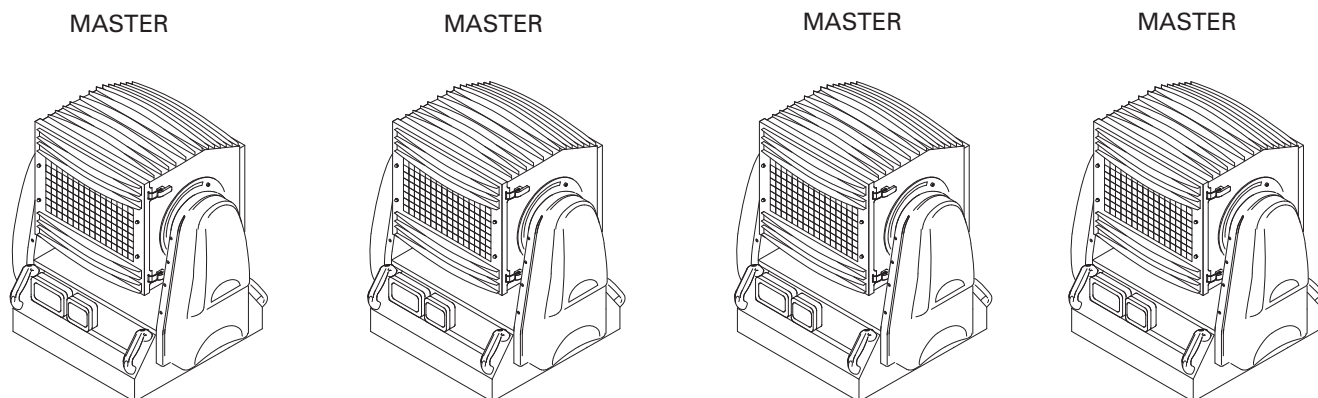
EXAMPLE OF CONNECTION AND SETTING OF 4 CITYCOLOR IN SYNCHRO - MODE



WARNING

The cables are the same as the DMX standard cable

EXAMPLE OF CONNECTION AND SETTING OF 4 CITYCOLOR IN INDIPENDENT AUTO - MODE



TROUBLESHOOTING GUIDE

Before calling for technical assistance, follow the recommended procedures in this appendix to solve many problems on your fixture.

CAUTION! • BEFORE YOU BEGIN:

Before you perform any troubleshooting procedures read the following personnel and equipment safety precautions:

- 1) Refer servicing to service personnel (Q.T.= qualified technician); no user serviceable parts inside
- 2) Wear hand and eye protection
- 3) Wait at least five minutes before accessing the lamp after operation
- 4) Disconnect the unit from power before removing any cover (Q.T.)

If the procedures do not solve your problem and you need to call for assistance, please provide the support technician with the follow information:

- Customer name
- Phone number and fax number
- Fixture serial number
- Message that are you displayed on your Citycolor display
- Description of the problem and the troubleshooting procedures that you have performed so far to diagnose and resolve the fault.

You can contact your authorized STUDIO DUE dealer or directly STUDIO DUE Technical Service.
(tel. +39.0761.352520 or fax +39.0761.352653 - e-mail: service@studiodue.com or customer@studiodue.com)

GENERAL TROUBLESHOOTING

Appendix "C" • Table A1

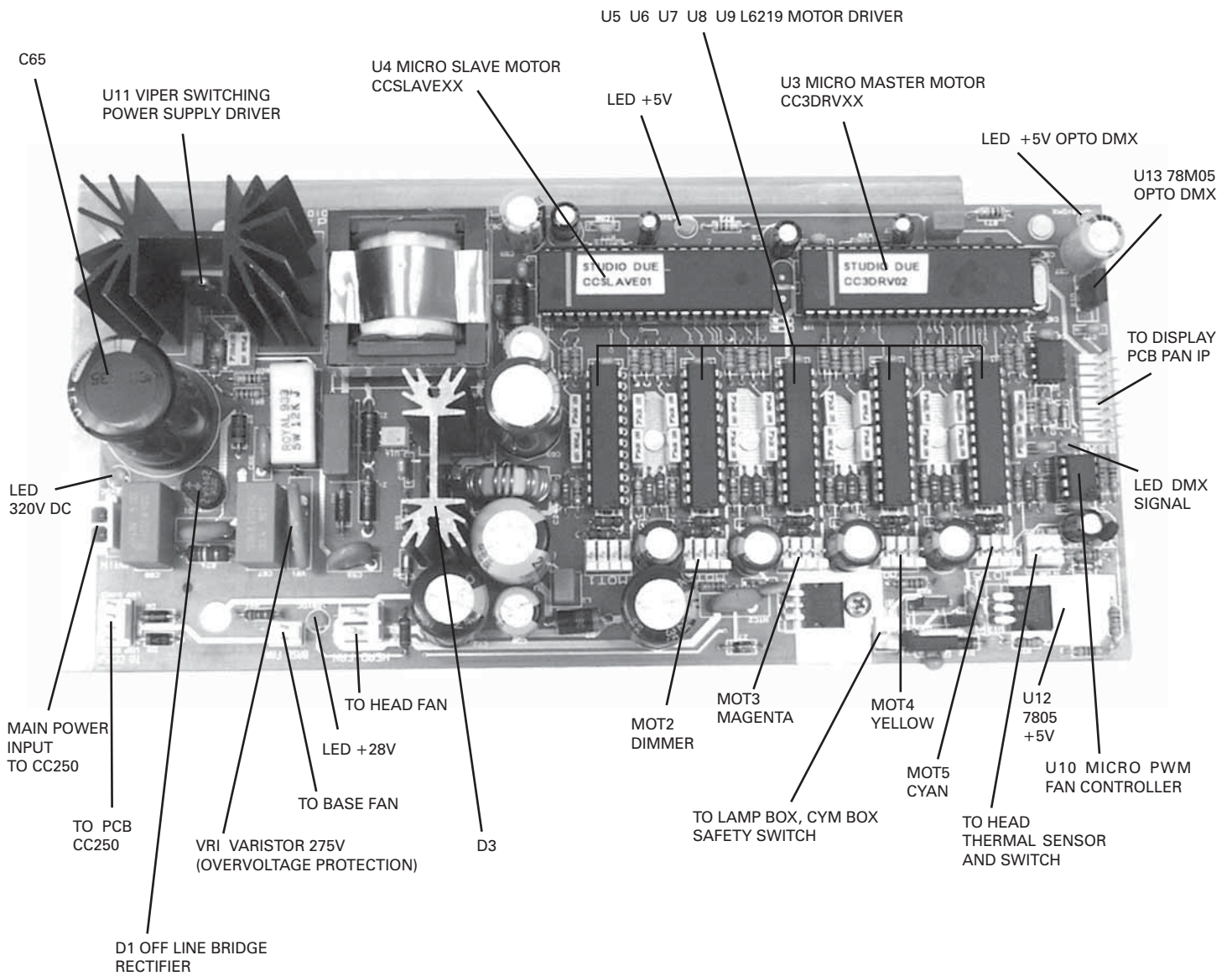
Problem	Pilot-tests (guide)	Probable causes	Suggested solutions
The unit does not turn on, the fans do not work. The unit is completely dead	Measure the mains voltage on the main connector. If you have the right value the main fuses are blown	No power. Power cord or connectors. Main fuses blown.	Connect power. Replace the cables and the connectors. Replace the mains fuse
The fans work, the display is turned off (no reset when switching on, no light).	The electronics do not work. Check that the leds on the motor board (CCIP PCB) are turned on, particularly check the +5V.	Short circuit on the +5V line. D4 has blown. U12 short circuit or blown	General test on the +5V line. Replace the D4 diode. Replace the U12.
The unit works normally but the lamp does not turn on	When switching on, you can hear the clack of the internal circuit breaker.	Bad lamp. Lamp is too hot to re-strike. Mains voltage is too low. The igniter is not working. Wrong ballast wiring.	Replace the lamp. Wait for the lamp cooling Measure the mains voltage. Replace the igniter. Check the ballast wiring
The unit works normally but the lamp does not turn on	When switching on, you can not hear the clack of the internal circuit breaker.	The unit is not properly closed (cover and/or lamp house) Fault on wiring, PCB, switches	Check and close all the eight mechanical latches Carry out the tests shown on page 14
The unit works normally but the lamp does not turn on.	The thermal switch on the head of the fixture is open. The last DMX channel on the controller (n. 7) is set on a value > 250	Too high temperature inside the head. The fan on the head is not working The air-in grilles are stopped up. The REMOTE LAMP OFF command is on.	Wait that the lamp housing has cooled down. Check and if necessary replace the fan. Check and if necessary replace the connectors HEAD FAN, BASE FAN, THERMAL SENSOR. Clean the grilles Set the DMX channel on 0 value.

Ventilation of the head does not work normally	The electronic control of the fan is broken or not correctly connected	HEAD FAN connectors on the PCB CC are not ok U10 micro on the PCB CCIP broken	Check tension on the TO HEAD FAN connector Check the start-up test when switching on the fixture
Speed of the head fan is always the same	The electronic control of the fan is broken or not correctly connected	TO HEAD THERMAL SENSOR connectors are not ok Thermal sensor on the air output broken or disconnected U10 micro on the PCB CCIP broken	Check connections from TO HEAD THERMAL SENSOR connector to thermal sensor Check the thermal sensor Check the start-up test when switching on the fixture
The lamp is cutting out intermittently	The lamp is not working well. The values reached by the internal temperature are too high	The tension of the power supply is either too high or too low. The fan on the head is not working regularly The air grilles are stopped up.	Measure the mains voltage. Check and if necessary replace the fan. Check and if necessary replace the RFH resistor Clean the grilles
One of the function is not working well(ie. DIMMER)	Disconnect the power. Manually test if the DIMMER moves freely.	The stepper motor is damaged or the cable connected to the controller pcb is broken (ref. CCIP PCB). The motor drive (L6219) is broken.	Make all the tests reported in page 14

DATA LINK (512 DMX) TROUBLESHOOTING
Appendix "C" • Table A2

Problem	Pilot-tests (guide)	Probable cause(s)	Suggested Solutions
None of the Citycolors responds to controller. The DMX led is switched off.	Make sure that all the units are set in DMX mode. After the configuration reset all the fixtures	The controller is not connected to the fixtures. The cable from the controller to the first of the Citycolor is interrupted (or pin 2 and 3 are swapped or the cables are on short circuit)	Connect the controller properly. Use an already tested cable and connect the fixtures one by one.
One or more of the Citycolors do not respond to the controller or do it wrongly.	The non-working fixtures are always the same. The fixtures work accidentally. If one of the connecting cables is missing this may cause a random malfunctioning in addition to apparent normal operation. If the inverted-data is cut wire is cut (pin. 2 on the DMX connector) the line works intermittently.	Wrong DMX address in the fixture. Wrong data cables, or disconnected or shorted. One fixture has a broken DMX board. DMX link not terminated.	Set the proper address Check and if necessary replace the cables. Use a tested cable and replace only one at a time. Use a tested cable and exclude only one fixture at a time. Insert the terminator on the last fixture (pag.10)

MAIN BOARD CONNECTION



MOTORS BOARD

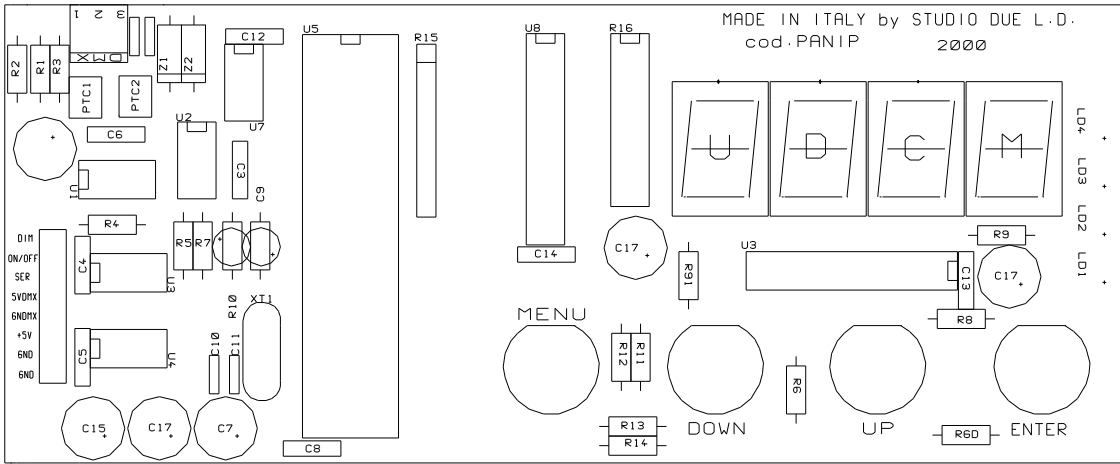
- POWER SUPPLY +30V Led On
- +5V Led
- +320V Led
- +5V DMX Led
- DMX signal
 - Led flashing: the DMX signal is operating on the board
 - Led off: check the U1 (6N137) and the DMX connecting cable (from PCB PAN IP)

- STEPPER MOTOR channel not working: (i.e. YELLOW):
 - 1) Switch off the fixture and disconnect the YELLOW and CYAN cables
 - 2) Connect the YELLOW cable on the CYAN connector
 - 3) Switch on the fixture:
 - 3a) If the YELLOW motor works normally it is necessary to replace the U6 (L6219)
 - 3b) If the motor is still not working check with extreme attention the motor and the interconnecting circuits (cables and connectors). To check the cables and the motors you can measure the resistance as follows:
between PIN 1 and PIN21 (on IC U6) $r \sim 18\text{ohm}$; between PIN 2 and PIN5 (on IC U6) $r \sim 18\text{ohm}$

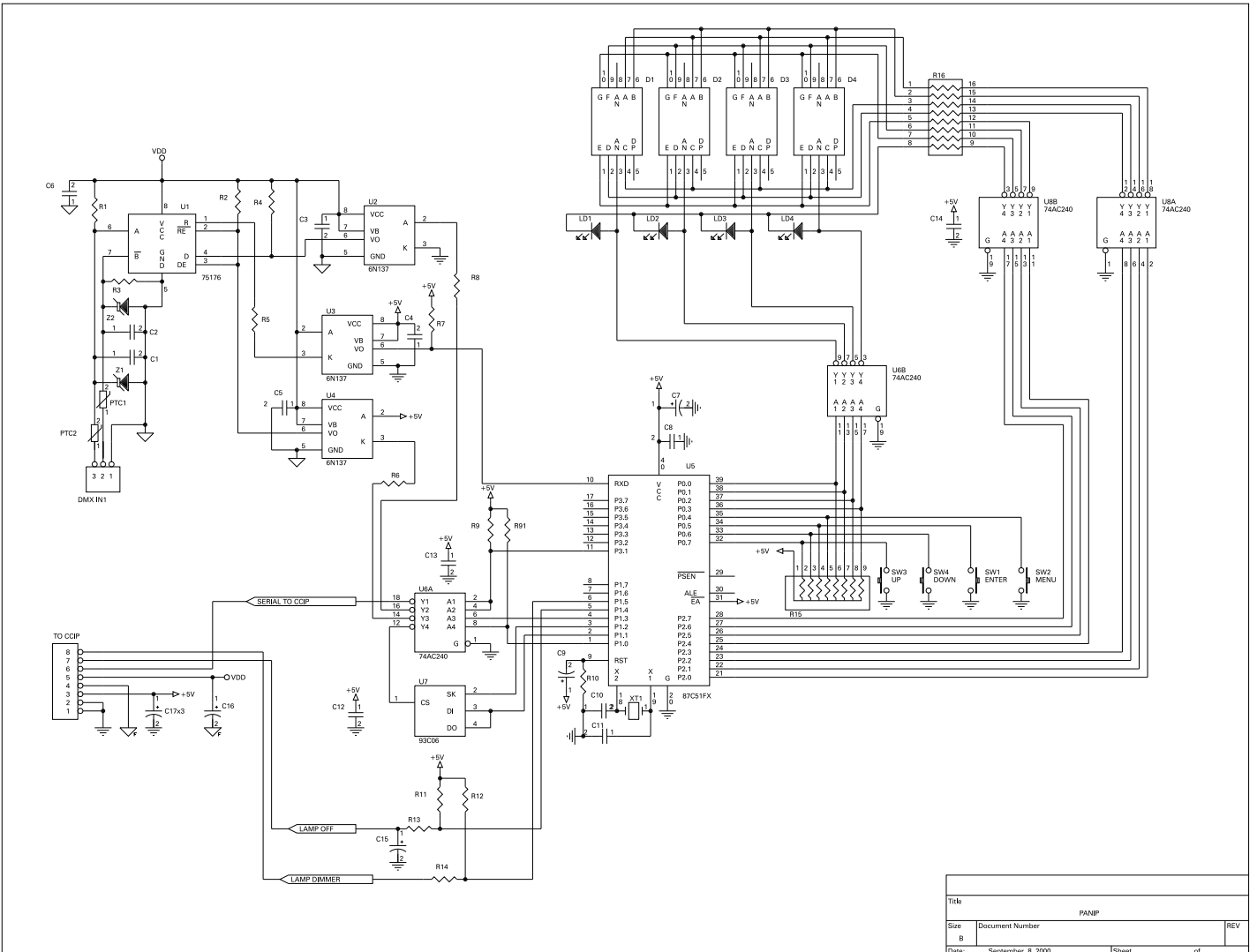
- If the led +5V OPTODMX is off:
 - 1) Disconnect TO DISPLAY PCB PAN IP connector; if the led is on check PCB PAN IP
 - 2) Check U13 (78M05), L3, D6

- If the led +5V is off:
 - 1) Disconnect TO DISPLAY PCB PAN IP connector; if the led is on check PCB PAN IP
 - 2) Check D4, L2, U12

- If the led +28V is off:
 - 1) Check if the led +320V is on, if it is ok:
 - 1a) Check if U11 is in thermal drift (**ATTENTION on the heat dissipator there is dangerous tension!!!!**)
 - 1b) Check if U5, U6, U7, U8, U9 are in short-circuit. Switch off the fixture. Remove all the chips from the socket.
Switch on the fixture: if the led is on, insert the chips one by one in the sockets to find out which is in short-circuit.
 - 1c) Check D3
 - 1d) **If all the operations described above have not given any positive result, change U11**
 - 2) If the led +28V is off together with the led +320V
 - 2a) Check the MAIN POWER INPUT where you can measure the working voltage
 - 2b) Check the main fuse, if it is blown check VR1 (normally it has a resistance = ∞). If it is in short circuit you must change it.
 - 2c) Check D1 (Bridge Rectifier), if it is ok check C65.
 - 2d) **If the fuse is still blown, change U11**

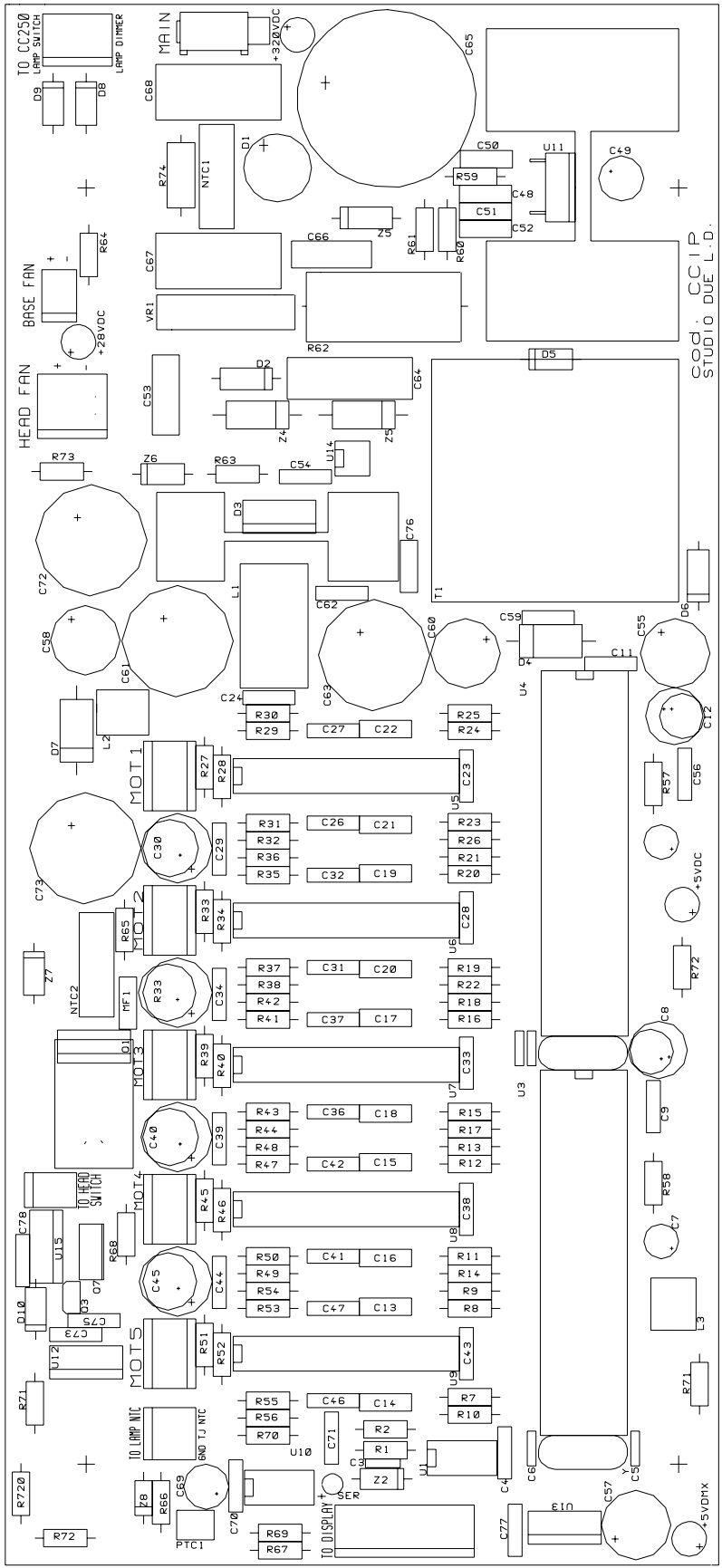


•panip•

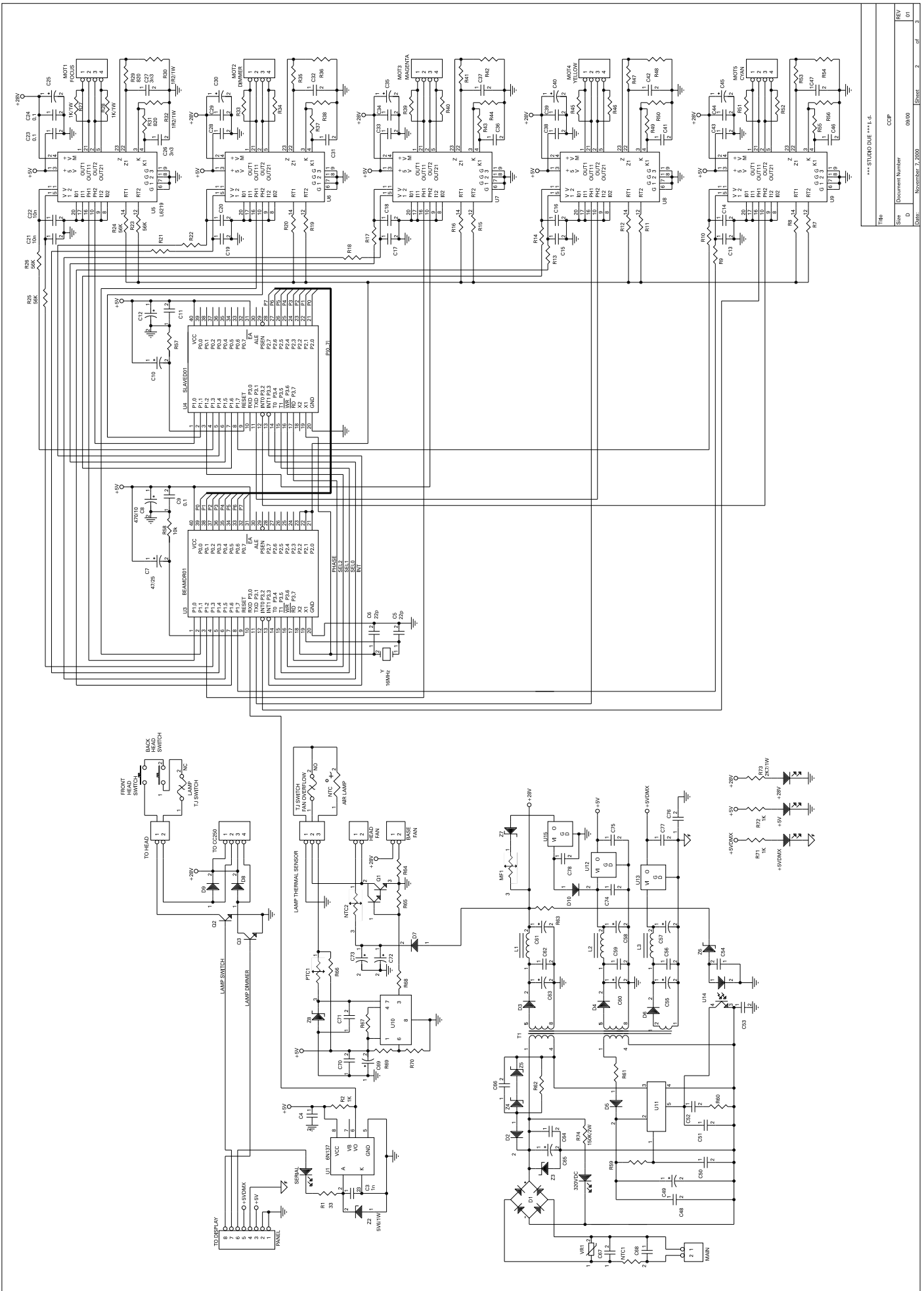


Title	PANIP		
Size	Document Number		REV
Date	September 8, 2000	Sheet	of

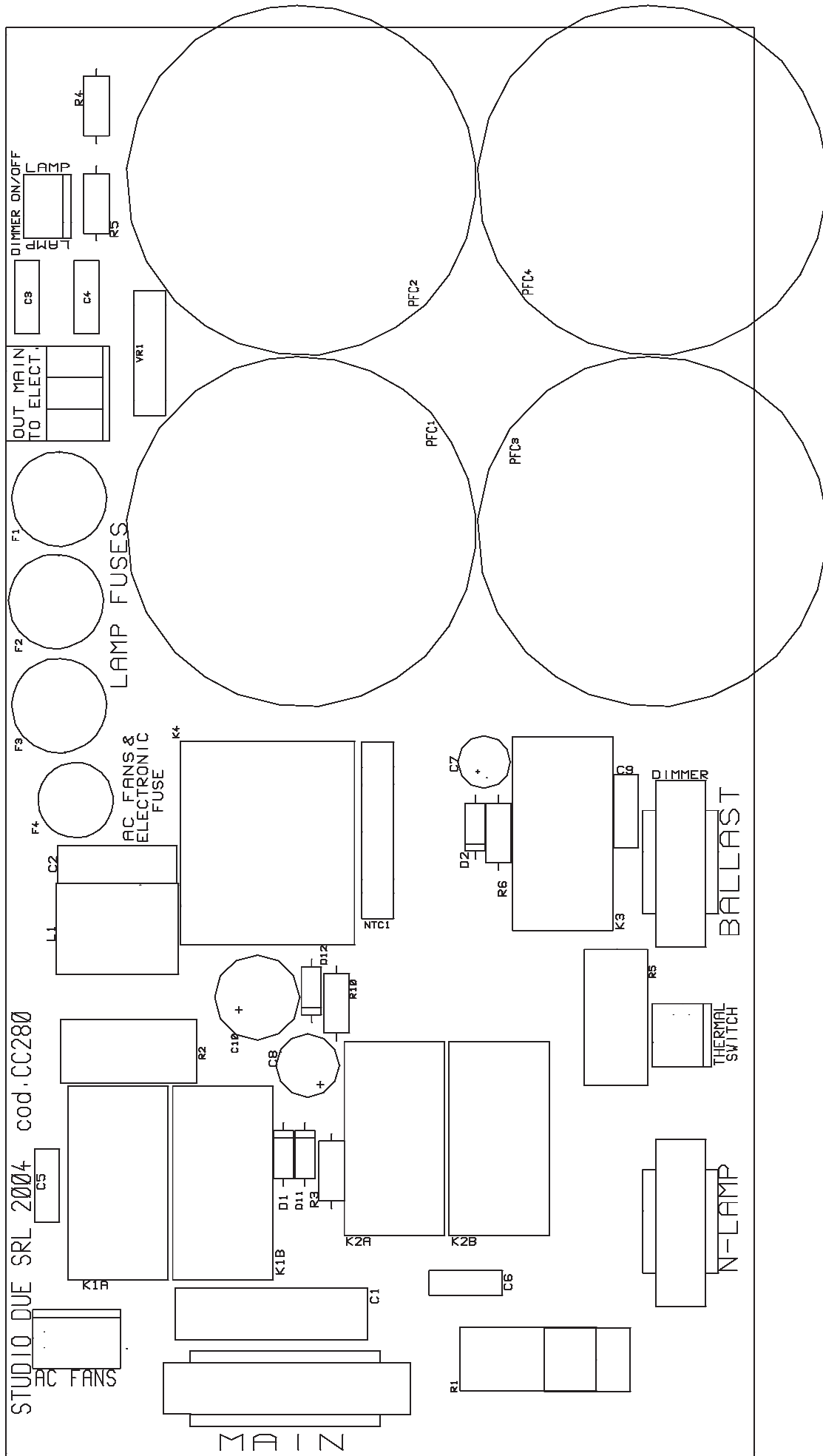
•panipS•



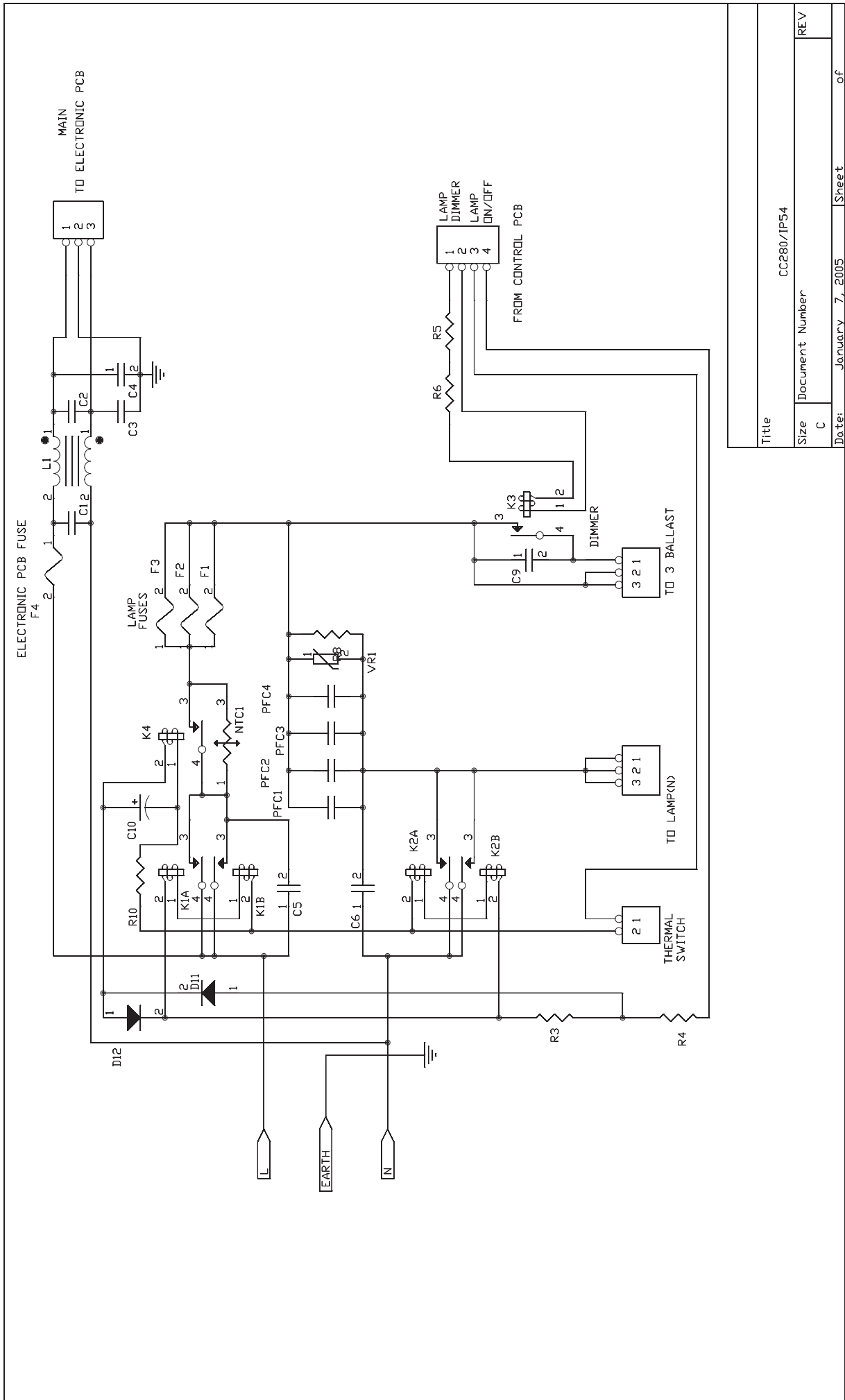
•ccip•



TR0	***STUIMBO DUE***1.1.1.1
Rev	CCIP
Doc	Document Number
Date	08100
	November 7, 2000
	Sheet 2 of 3



•cc280ip•



Title

CC280/IP54

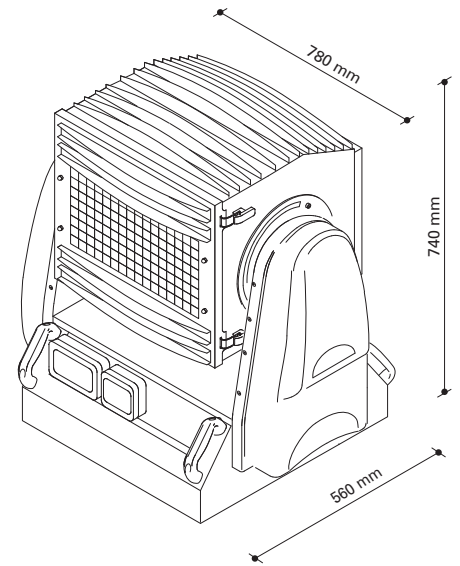
Size Document Number

C

Date: January 7, 2005 Sheet of

REV

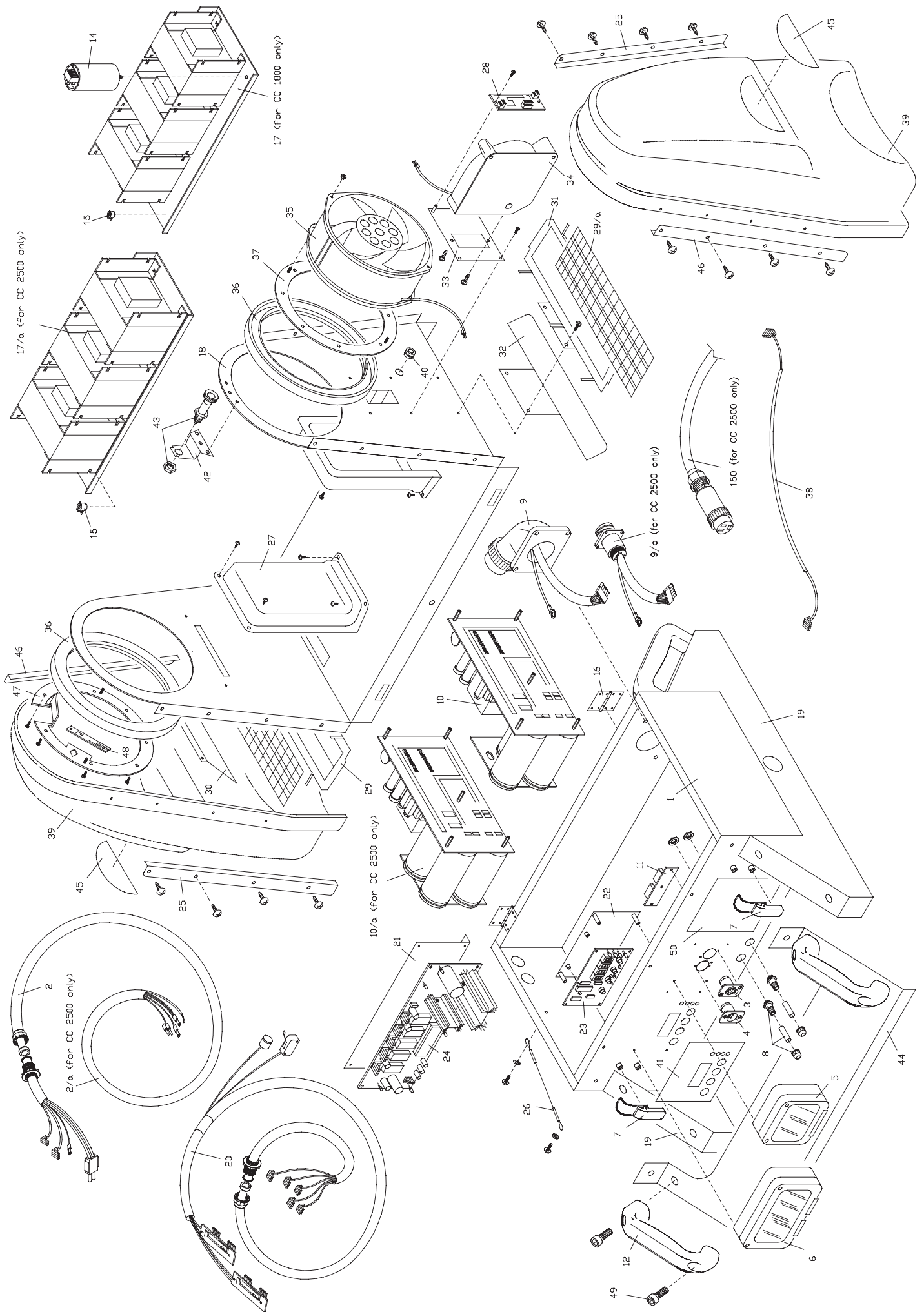
SPARE PARTS, TECHNICAL DRAWINGS
PARTI DI RICAMBIO, DISEGNI TECNICI



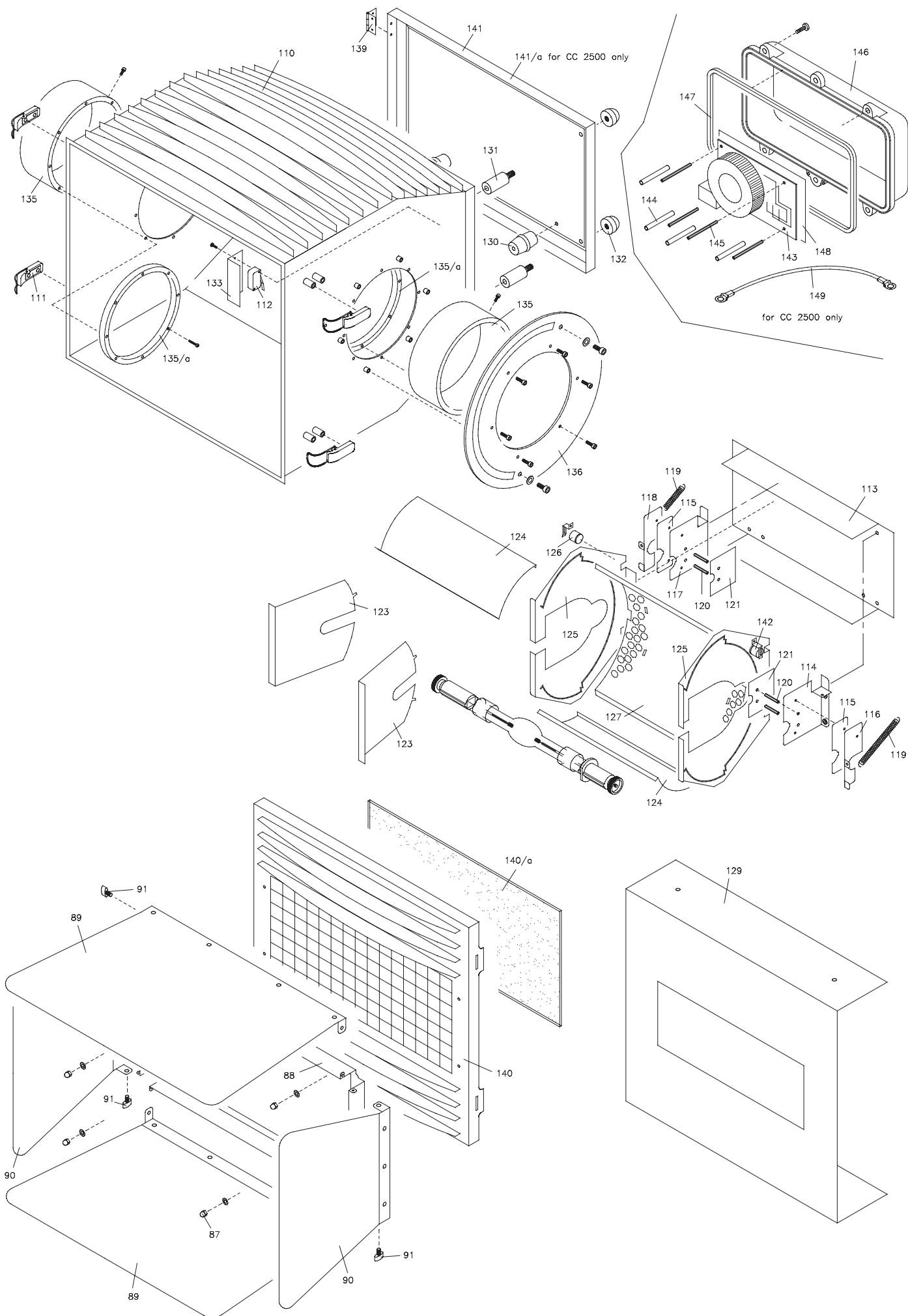
N°	PARTS DESCRIPTION
REF:A/BASE	
1	Base box
2	Lamp cable complete (for 1800 only)
2/a	Lamp cable complete (for 2500 H.P. only)
3	5 pin female DMX connector
4	5 pin male DMX connector
5	5 pin connectors cover
6	DMX panel cover
7	Spring lock
8	PG 7
9	Input connector (for 1800 only)
9/a	Input connector (for 2500 H. P. only)
10	Condenser complete (for 1800 only)
10/a	Condenser complete (for 2500 H.P. only)
11	Connector board
12	Handles
14	Igniter (for 1800 only)
15	Thermal switch
16	Hinge
17	Magnetic ballast complete (for 1800 only)
17/a	Magnetic ballast complete (for 2500 H.P. only)
18	Bracket
19	Base handles
20	Cable (complete)
21	Motors board support plate
22	Display board support plate
23	Display board
24	Motors board
25	Lateral cover counterplate dx
26	Bracket stop
27	Air convoyer
28	Fan connector
29	Dust proof filter support (sx)
29/a	Dust proof filter
30	Tab (sx)
31	Dust proof filter support (dx)
32	Tab (dx)
33	Fan plate
34	Fan base box (small)
35	Fan head (big)
36	Friction
37	Fan support
38	Cable
39	Lateral cover
40	Gum
41	Menu panel adhesive
42	Head stop support
43	Head stop
44	Base plate
45	Lable
46	Lateral cover counterplate sx
47	Supprt cable air convoier
48	Plate connector
49	Screw handle
50	Program lable

PARTS DESCRIPTION	
REF:B/HEAD 1	
87	Nut
88	Barn door support plate
89	Barn door (big)
90	Barn door (small)
91	Screw
110	Head
111	Spring-lock
112	Safety switch
113	Main lamp support plate
114	Lamp holder plate (dx)
115	Lamp lock plate (dx)
116	Lamp holder counterplate
117	Lamp holder plate (sx)
118	Lamp lock plate (sx)
119	Spiral spring
120	Spacer
121	Counterplate
123	Lateral plane reflector
124	Reflector (small)
125	Lateral reflector support
126	Thermal switch
127	Main reflector
129	Support plate
130	Insulator
131	Spacer
132	Nut
133	Safety switch plate
135	Head cylindric support
135/a	Seals
136	Degrees wheel
139	Hinge
140	Head box cover
140/a	Tempered glass
141	Rear box cover (for 1800 only)
141/a	Rear box cover (for 2500 H.P. only)
142	Thermal switch
143	Igniter (for 2500 H.P. only)
144	Spacer gum (for 2500 H.P. only)
145	Spacer (for 2500 H.P. only)
146	Igniter cover (for 2500 H.P. only)
147	Igniter cover gum (for 2500 H.P. only)
148	Insulator plate
149	Cable lamp/igniter
150	Power connector wired (for 2500 H.P. only)

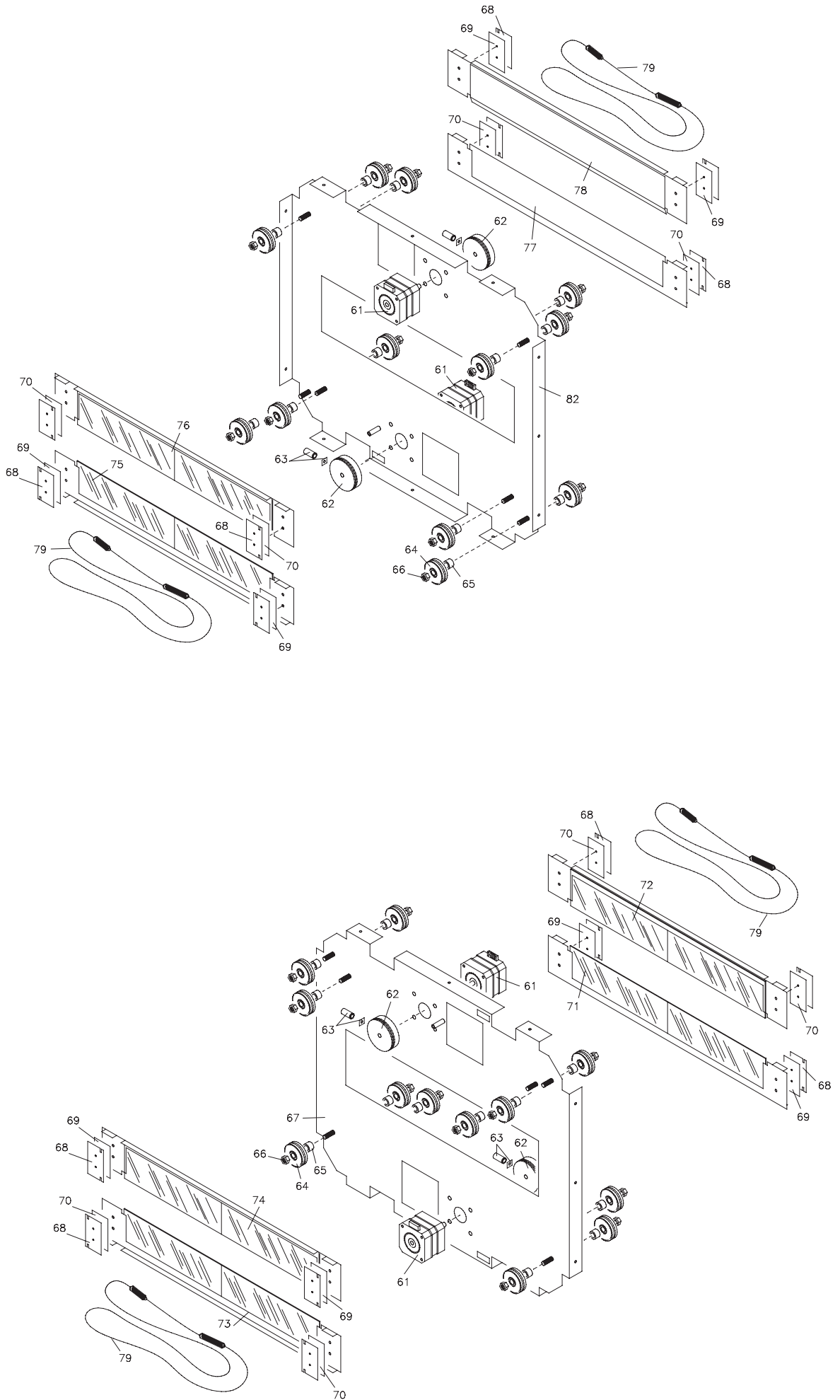
N°	PARTS DESCRIPTION
REF:A/BASE	
45	Lable
46	Lateral cover counterplate sx
47	Support cable air convoier
48	Plate connector
49	Handle screw
50	Program lable
REF:B/HEAD 2	
61	Stepper motor
62	Cable pulley
63	Coarse fine
64	Pulley
65	Spacer
66	Nut
67	CYM dimmer panel
68	Wire lock
69	Wire spacer 1.2
70	Wire spacer 1.5
71	Upper yellow blade complete
72	Lower yellow blade complete
73	Upper cyan blade complete
74	Lower cyan blade complete
75	Lower megenta blade complete
76	Upper magenta blade complete
77	Dimmer blade unshaped
78	Dimmer blade shaped
79	Steel wire
82	CYM panel



• A / BASE •



•B/HEAD 1•



•B/HEAD 2•

APPENDIX "A"

Here below you can find the complete list of DMX values (ref. page 9)

CHANNEL	FUNCTION	DESCRIPTION	DECIMAL	PERCENT
1	MOTOR SPEED	SPEED MOVEMENT		
		Slow	0..63	0%..24%
		Mid1	64..127	25%..50%
		Mid2	128..191	51%..74%
		Fast	192..255	75%..100%
2	CYAN	CONTINUOUSLY VARIABLE		
		White Full color	0 255	0% 100%
3	YELLOW	CONTINUOUSLY VARIABLE		
		White Full color	0 255	0% 100%
4	MAGENTA	CONTINUOUSLY VARIABLE		
		White Full color	0 255	0% 100%
5	DIMMER	CONTINUOUSLY VARIABLE		
		0% 100%	0 255	0% 100%
6	BASIC COLORS/RAINBOW	Color mixing	0..25	0%..10%
		Cyan	26..51	10%..20%
		Yellow	52..77	20%..30%
		Magenta	78..103	30%..40%
		Blue	104..129	40%..50%
		Red	130..155	50%..60%
		Green	156..181	60%..70%
		Color mix sequence (slow)	182..207	70%..80%
Color mix sequence (mid)	208..233	80%..90%		
Color mix sequence (fast)	234..255	90%..100%		
7	REMOTE RESET/LAMP OFF	Normal	0..127	0%..50%
		Reset (delay)	128..191	50%..75%
		Normal	192..250	75%..98%
		Lamp off (delay)	251..255	98%..100%

APPENDIX "B"

Here below you can find the complete list of the available games (ref. page 12)

PROGRAM	FUNCTION
01	Red Magenta Yellow: color mix sequence (slow)
02	Red Magenta Yellow + White color mix sequence (slow)
03	Green Cyan Yellow: color mix sequence (slow)
04	Green Cyan Yellow + White color mix sequence (slow)
05	Blue Cyan Magenta: color mix sequence (slow)
06	Blue Cyan Magenta + White color mix sequence (slow)
07	All colors: color mix sequence (slow)
08	All colors + White color mix sequence (slow)
09	All colors: color mix sequence (mid)
10	All colors + White color mix sequence (mid)
11	All colors + white color mix sequence (mid+)
12	All colors - color mix sequence (mid+)
13	All colors + white color mix sequence (fast)
14	Basic color (fast)
15	Basic color + White (fast)
16	Wood (static)
17	Magenta (static)
18	Red (static)
19	Light Red (static)
20	Orange (static)
21	Yellow (static)
22	Cyan (static)
23	Light Cyan (static)
24	Green (static)
25	Light Green (static)
26	White (static)
27	Ten colors + White (slow)



Dichiarazione **CE** di conformità
Declaration **CE** of conformity

Doc. 316-1A REV 3 02/03
CITYCOLOR 1800W Ip54
CE 02/03

La ditta: **STUDIO DUE** s.r.l.
The firm: Strada Poggino, 100
01100 VITERBO
ITALY

dichiara sotto la propria responsabilità che il prodotto:
declare under our sole responsibility that the product:

CITYCOLOR 1800W IP54
codice 0002

è conforme alle norme:
is in conformity with the standard:

EN 60598-1 Ed. VI (CEI 34-23 Ed. II)
EN 60598-2-17 Ed. II (CEI 34-38 Ed. II)

CEI EN 61000-3-2	CEI EN 55013	CEI EN 61000-4-2	CEI EN 61000-4-11
CEI EN 61000-3-3	CEI EN 55014-1	CEI EN 61000-4-4	CEI EN 55103-1
CEI EN 60065	CEI EN 55013-1	CEI EN 61000-4-5	CEI EN 55103-2
CEI EN 55022	CEI EN 55015	CEI EN 61000-4-6	
CEI EN 55011		CEI EN 61000-4-3	

e quindi ai requisiti essenziali delle Direttive:
and therefore according to essential requirement of Directives:

LV 73/23 AND 93/68 EEC
EMC 89/336 AND 93/68 EEC

Data di apposizione **CE** : **03**
Date of **CE** marking : **03**

VITERBO, **04/02/03**

FRANCO BERTINI
General Manager



Dichiarazione **CE** di conformità
Declaration **CE** of conformity

Doc. 317-1A REV 3 02/03
CITYCOLOR 2500W Ip54
CE 02/03

La ditta: **STUDIO DUE s.r.l.**
The firm: Strada Poggino, 100
01100 VITERBO
ITALY

dichiara sotto la propria responsabilità che il prodotto:
declare under our sole responsibility that the product:

CITYCOLOR 2500W IP54
codice 0003

è conforme alle norme:
is in conformity with the standard:

EN 60598-1 Ed. VII (CEI 34-23 Ed. II)
EN 60598-2-17 Ed. II (CEI 34-38 Ed. II)

CEI EN 61000-3-2	CEI EN 55013	CEI EN 61000-4-2	CEI EN 61000-4-11
CEI EN 61000-3-3	CEI EN 55014-1	CEI EN 61000-4-4	CEI EN 55103-1
CEI EN 60065	CEI EN 55013-1	CEI EN 61000-4-5	CEI EN 55103-2
CEI EN 55022	CEI EN 55015	CEI EN 61000-4-6	
CEI EN 55011		CEI EN 61000-4-3	

e quindi ai requisiti essenziali delle Direttive:
and therefore according to essential requirement of Directives:

LV 73/23 AND 93/68 EEC
EMC 89/336 AND 93/68 EEC

Data di apposizione **CE** : **03**
Date of **CE** marking : **03**

VITERBO, **04/02/03**

FRANCO BERTINI
General Manager

WARRANTY CARD



Company name:

Mr./Mrs./Miss:

Address:

Tel. or E-mail :

Dealer:

This page is intentionally left blank

This page is intentionally left blank

This page is intentionally left blank



Head Office: STUDIO DUE s.r.l. (I)

Str. Poggino, 100 - 01100 Viterbo (Italy)
tel. +39.0761.352520
fax +39.0761.352653
info@studiodue.com

STUDIO DUE (UK)

3 Encon Court Owl Close
Moulton Park Industrial Estate
Northampton England UK - NN3 6 HZ
tel. +44.1933.650.820
info@studiodue.co.uk

STUDIO DUE Far East LTD (HK)

Unit 13 On 7th Floor, Heng Ngai Jewelry Centre,
4 Hok Yuen Street East
Hungghom, Kowloon, (Hong Kong)
tel. +852.29542141 fax +852.23302515
info@studiodue.com.hk

STUDIO DUE lighting technology (PRC)

Shen Zhen LTD (China)

www.studiodue.com
for technical info
service@studiodue.com