



---

**Use your iPod, USB flash drive or SD Card.**  
**Portable with up to six-hour battery**  
**4 Sound inputs with volume control.**  
**Extending handle and wheels for easy portability**

## **USER MANUAL**

**(Model: GA11080)**



## **PREFACE**

Thank you for using our product! Please read the manual carefully before operating. This will insure user satisfaction. Please save the manual for future reference. This is a multi-input (Microphone, MP3 Player, iPod, USB Flash Drive, SD Card and Instrument) amplified portable play back system. Its novel appearance, performance, grace and beauty display the highest quality. Our device is fantastic for all occasions.

## **GENERAL USE AND CARE**

1. Give the unit proper clearance, 12 inches (30 CM) in all directions.
2. Do not place unit next to other electrical appliances. Damage or undesired effects may result. The unit has powerful magnet, give proper clearance.
3. Keep unit dry at all times. Do not drop or splash water on unit. Do not put liquid or flammable material on top or next to unit. Keep away items such as hot items, open flames, water bottles, food & drink.
4. Use unit in normal temperature range 40F-95F (4.5C – 36C)
5. Before connecting the power cable, please place the main power switch to “OFF” position.
6. To avoid damn to speaker, before turning on the power, please adjust volume control of input and output to the lowest level.
7. To avoid electric shock, do not open the unit by yourself. If any malfunction occurs, please contact your local distributor.
8. Please unpack and inspect your new product for any damage that may have occurred during transit. If you find damage, notify the transportation company or retailer immediately. Only you, the consignee, may initiate a claim for shipping damage. Will be happy to cooperate fully as needed. Save the shipping carton as evidence of damage for the shipper's inspection. Even if the

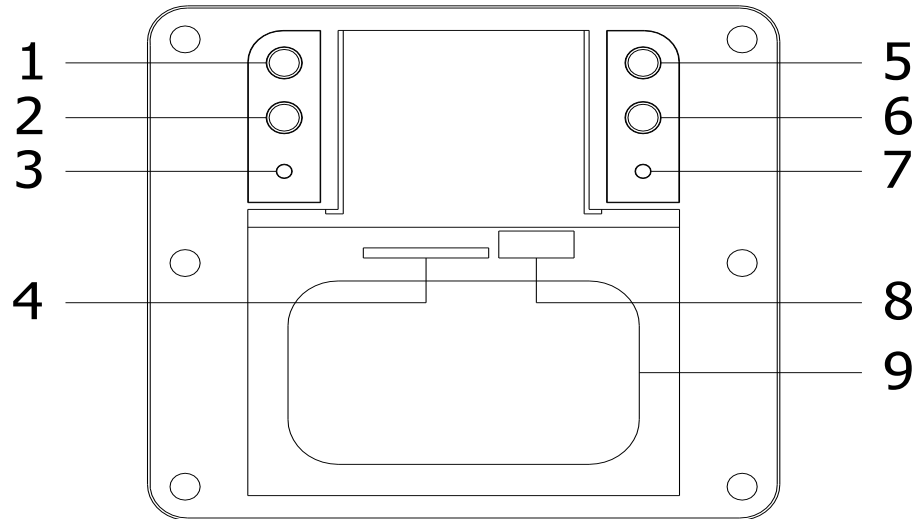
product arrived in perfect condition, as most do, save all packing materials so you will have them if you ever need to transport the product. Never ship the product without the factory packaging.

9. During operating, when the red battery indicator lights, please stop using it and charge to avoid the internal batteries damage and prevent shortening the life of battery, please charge it regularly when not used for a long time.

## **Features Included**

- Dual Mic/3.5mm input, 3.5 input and RCA input/Output Port
- 2 Microphone volume control
- Master volume control
- Retractable handle for easy portability
- Two-wheel system
  
- Main power on/off switch
- Powered by 110V AC or 12V/7.5Ah DC Battery
- Rechargeable battery
  
- Woofer: 1 x 8" woofer
- Tweeter: 1 x 1"
- Max Power output: 150W

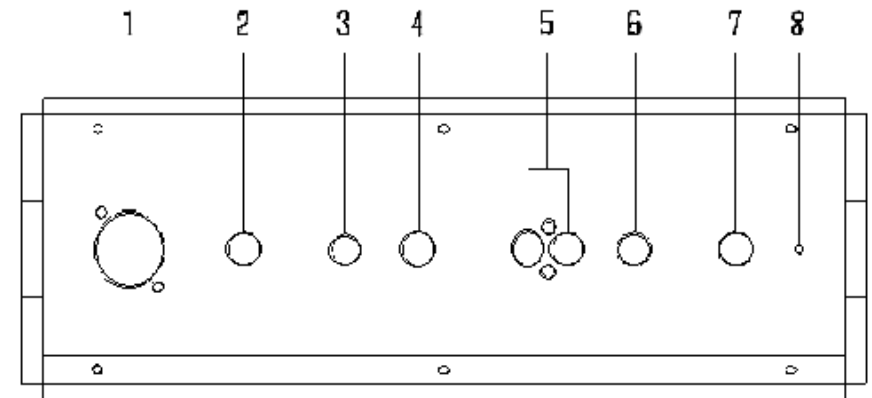
## Integrated Multi-Media Docking Station Diagram.



- 1– The play and pause key for MP3 files.
- 2– Repeat key: Press it once; it will replay the entire USB or SD card in a loop; Press it twice; it will replay the song, which is playing; Press it three times; it will replay all songs from the file folder that is playing.
- 3– MP3 playing indicator.
- 4– The SD card socket: Insert a SD card and start MP3 playing,
- 5– The Next Track key (Forward)
- 6– The Previous Track key. (Reverse)
- 7– The power indicator of MP3 and iPod player.
- 8– The USB port. To connect USB start MP3 playing.
- 9– The iPod dock. Connect an iPod to play and charge its power.

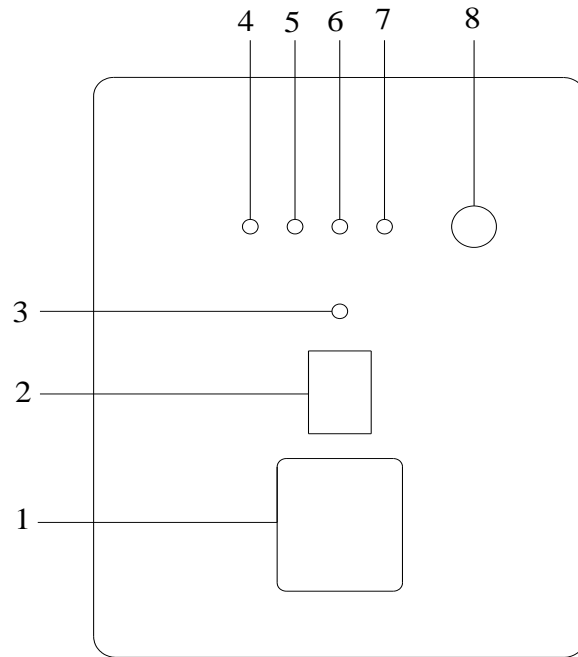
**Note: This unit is only available for audio playback, not for video signal**

## Main Functions of the Front Panel



- 1 – XLR and 0.25 in TRS combo jack. Microphone input and standard instrument cable.
- 2 – Volume input control knob. Twist the knob clockwise to turn the volume louder; and twist the knob counterclockwise to turn the volume lower.
- 3 – Standard TRS 3.5 mm plug port (standard instrument cable)
- 4 – Volume input knob. Twist the knob clockwise to turn the volume louder; Twist the knob counter clockwise to turn the volume lower.
- 5 – AUX external signal input. To connect DVD, CD, VCD, etc other signal input using RCA connector cables (red/white audio cables)
- 6 – Volume control for AUX, MP3 and iPod player. Twist the knob clockwise to turn the volume louder; Twist the knob counterclockwise to turn the volume lower.
- 7 – The main volume control knob. Twist the knob clockwise to turn the volume louder; Twist the knob counter clockwise to turn the volume lower.
- 8 – The main power indicator.

## Main Functions of the Side Panel:



1 - The power jack. To connect the power through the power cord, please make sure the voltage of product is correct.(110V/60Hz)

2 - The main power switch. When in "ON" position, meaning power on, and in "OFF" position, meaning power off

3 - The charge indicator. Please charge the battery when low voltage indicator is illuminated (light 4). When the charge indicator is lighting, it means the battery is charging. While the power is full, the indicator will turn off automatically, it means the power of the battery is full.

4 - The indicator for low battery voltage

To avoid the battery damage, please stop using when the indicator in red light. And please charge it when the indicator lighting.

5,6,7 - The battery power indicator. These three indicators light display the power remaining in the battery. During operation, the power may get lower and the indicator will turn off one by one. 3 lights = 100%, 2 lights = 66% power, 1 light = 33% power.

8 - Output Jack. Sound output to separate device.

**We suggest charging the battery once per two weeks to lengthen of time to ensure battery life.**

## **Troubleshooting**

| Problem                                       | Reason  | Solution  |
|---|---|---|
| The indicator of power switch is not lighting | <ol style="list-style-type: none"> <li>1. The battery cable not connect well;</li> <li>2. The battery damage</li> </ol>   | <ol style="list-style-type: none"> <li>1. To connect the cable well;</li> <li>2. To replace new battery.</li> </ol>   |
| The indicator of AC power is not lighting     | <ol style="list-style-type: none"> <li>1. The power cable not connect well;</li> <li>2. The fuse of power plug broken</li> </ol>  | <ol style="list-style-type: none"> <li>1. To connect the cable well;</li> <li>2. To replace a new fuse.</li> </ol>  |
| The using time of battery is short            | <ol style="list-style-type: none"> <li>1. The battery working at peak performance</li> <li>2. The battery was not charge long enough.</li> </ol>  | <ol style="list-style-type: none"> <li>1. Louder volume uses more energy. Lower volume uses less.</li> <li>2. To replace new battery</li> </ol>   |
| No sound when MP3 playing                     | <ol style="list-style-type: none"> <li>1. The power switch of MP3 is turned off;</li> <li>2. The connecting USB or SD card not good;</li> <li>3. The USB/SD file format or system file format is not supported</li> </ol> | <ol style="list-style-type: none"> <li>1. To turn on the power of MP3</li> <li>2. To connect the USB or SD card well;</li> <li>3. To download the file with right format/<br/>Reformat your device</li> </ol> |

## **Warning**

DO NOT disassemble unit.

There are no spare parts inside. If you experience a problem, please contact your local technician. To avoid any electric shock, turn off the power and unplug when not in use.

### **SPECIFICATIONS:**

- Max Output power: 150 W
- T.H.D: <0.1%
- Frequency response: 50Hz-20Kz
- Speaker: 1 x 8” woofer, 1 x 1” tweeter
- Voltage: AC 110V / 60 Hz
- Battery life: 6 hours (amplify), 4 hours (MP3)
- Built-in rechargeable battery: one (12V/7.5Ah)
- Dimension: 37.5 x 28.5 x 42.5 cm
- **Net Weight:** 13 Kg

iPod® is a registered trademark of Apple Inc.