

# **Raz Rehab Shower Chairs AT Model**

## **User's Manual**



**A guide to help users and caregivers in the safe usage and  
maintenance of Raz Rehab Shower Chairs**

# SAFETY PRECAUTIONS

## Failure to comply may cause injury or damage!

It is important that the user(s), and/or the caregivers of the user(s) read and thoroughly understand the User's Manual. If there are any parts of the User's Manual that are not understood, clarification should be sought prior to using the product. Up-to-date manuals are available online at [www.razdesigninc.com](http://www.razdesigninc.com). For clarification of any section of this manual, call the dealer that provided your Raz Rehab Shower Chair. If the dealer is unable to address certain concerns or questions, contact the Canadian distributor or the manufacturer.

**IN CANADA**  
 Dynamic Health Care Solutions  
 Bolton, Ontario Canada  
 905.951.8541 / 866.875.2877  
[info@dynamichcs.com](mailto:info@dynamichcs.com)

**IN THE U.S.A**  
 Raz Design Inc.  
 Toronto, Ontario Canada  
 1.877.720.5678  
[info@razdesigninc.com](mailto:info@razdesigninc.com)

CHAIR CLASSIFICATION BASED ON MAXIMUM USER WEIGHT	
AT	300 lbs (136 kg)

## SAFETY WARNINGS TO CONSIDER FOR USE PURPOSES

**Forward Stability**

The front 5" casters on all models are equipped with dual-locks. The step-on lever activates both the roll lock and the swivel lock. ***It is essential that all casters on the shower chair be in the outward position before engaging the locks for optimal forward and lateral stability.*** If so equipped, disengage the optional directional caster lock first before rotating the rear caster to the rearward position and applying the casters' dual-locks.



**USERS MUST NOT** lean forward while sitting in the Raz Shower Chair as this may cause the chair to tip forward.

**USERS MUST NOT** wheel down a ramp without an attendant who can hold onto the chair during the descent.

**CASTER LOCKS ARE NOT BRAKES! Never use caster locks to slow down the shower chair when descending inclines as this could cause the chair to tip in the direction of travel.**



**Lateral Stability**

**USERS MUST NOT** lean over the edge of a Raz Shower Chair as this could cause the chair to tip.

**USERS MUST NOT** attempt to pick up objects from the floor by leaning over and reaching – a reacher or assistance from others should be employed.

**USERS MUST NOT** position the Raz Shower Chair on a side slope as this could cause it to tip.



## **Ramps and Other Inclines**

Ramps and other surfaces that are not level (such as slopes into wheel-in showers) must be tested with an attendant to ensure that they do not compromise the chair's stability. A qualified healthcare professional should be consulted to assist with this process.

**DO NOT push or pull the Raz AT or up or down an incline or ramp that exceeds a 1:12 grade (5° slope).**

If unsure of the ramp grade, contact your authorized Raz dealer for assistance.

**DO NOT** allow any user to be propelled (pushed or pulled) in a Raz AT Shower Chair in any other manner than by an attendant.

**ALWAYS CHECK THAT THE RAZ AT SHOWER CHAIR IS STABLE BEFORE IT IS OCCUPIED BY ANY USER AT ANY TIME.**

## **Immersion**

The Raz Shower Chair is not designed to be used as a pool chair. Do not immerse the shower chair in whole or in part, in water or any other liquid, otherwise damage to the shower chair components may result.

## **Transfers**

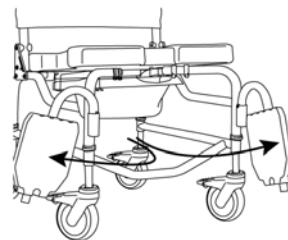
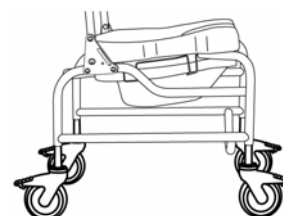
The most dangerous part of using any shower chair is the transfer. Since every chair has different stability characteristics, it is essential to carefully review and test the transfer technique to ensure that the procedure is safe. Test transfers should be performed with an attendant who can prevent the chair from tipping or moving during the transfer. If you feel that the transfers cannot be repeatedly performed safely, contact a physical or occupational therapist who is familiar with transfer techniques and options. Individuals who have not learned proper transfer skills must seek assistance during transfers and may require the use of a mechanical lift.

**Transferring onto a Raz AT Shower Chair** – **ALWAYS** lock all four casters in their outward position (front casters positioned in the forward position/rear casters positioned to the rear) for maximum chair stability. Caster locks **DO NOT and CANNOT** prevent the casters from sliding, and the shower chair from moving, if the floor is slippery. A slippery floor can be caused by dust, water, soap or any substance that does not allow the casters to grip the floor securely.

**Transfers should never be attempted with the shower chair positioned on slippery surfaces.** It is recommended that transfers be performed on clean, dry, non-slippery surfaces; a fully-carpeted surface is optimal. Be aware that area rugs and shower mats can slide on floors and thereby present a hazardous surface.

**DO NOT** stand on any part of the frame of the Raz AT Shower Chair.

**NEVER use the footplates to assist in transfers.** This could cause the chair to tip. The footrests should be swung to the side or removed entirely during transfers to provide unobstructed access to the shower chair.



### **Tilt Function**

**ALWAYS** check the tilt function and ensure both locking gas springs and release cable assemblies are fully operational **BEFORE** the chair is occupied by the user.

**DO NOT** attempt to tilt an occupant if the attendant is physically incapable of safely and smoothly operating the tilt function.

**NEVER** leave the user unattended in a tilted position in a Raz AT Shower Chair.

The Raz AT Shower Chair *is* **NOT** intended for use as a transportation device or a long-term seating system.

**USERS SHOULD NEVER** be left unattended in a Raz AT Shower Chair.

## **IMPORTANT !**

**IF IT IS EVER FELT THAT ANY ASPECT OF THE RAZ SHOWER CHAIR IS IN NEED OF MAINTENANCE, CONTACT YOUR DEALER. ANY PROBLEMS THAT COULD AFFECT THE SAFE USAGE OF THE CHAIR MUST BE ATTENDED TO IMMEDIATELY. THE DEALER THAT PROVIDED THE SHOWER CHAIR MUST BE CONTACTED SO THAT REPAIRS CAN BE MADE PRIOR TO USING THE CHAIR. IT MUST BE MADE CLEAR TO THE DEALER THAT THE SHOWER CHAIR IS IN NEED OF MAINTENANCE AND IS UNAVAILABLE FOR USE UNTIL REPAIRS HAVE BEEN UNDERTAKEN AND ALL PROBLEMS RESOLVED.**

**IF FOR ANY REASON, YOUR DEALER DOES NOT RESPOND ADEQUATELY, PLEASE CONTACT**

**RAZ DESIGN :** BY EMAIL [info@razdesigninc.com](mailto:info@razdesigninc.com)

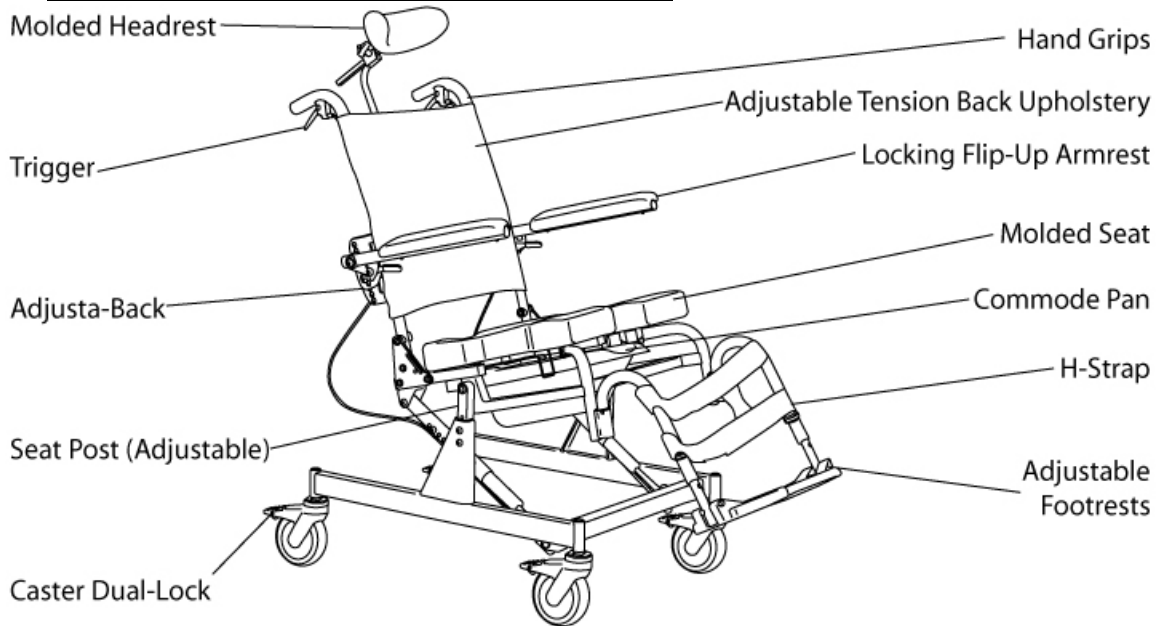
BY PHONE 1.877.720.5678

# USER'S MANUAL TABLE OF CONTENTS

	Page
1.0 GENERAL INFORMATION	
1.1 Raz Rehab Shower Chair AT Model Overview .....	6
1.2 Raz Rehab Shower Chair AT Model Specifications .....	6
2.0 USE AND OPERATION	
2.1 Tilt Function.....	7
2.2 Fixed Back Backrest.....	7
2.3 Adjusta-Back Backrest .....	7
2.4 Adjustable Tension Back Upholstery.....	8
2.5 Molded Seat .....	9
2.6 Molded Headrest.....	10
2.7 Adjustable Footrests.....	10
2.8 Casters .....	11
2.9 Directional Caster Lock .....	11
2.10 Tilt Assist Pedal.....	11
2.11 Lateral Supports .....	12
2.12 Leg Adductors .....	12
2.13 Armrests .....	13
2.14 Chest Positioning Strap.....	13
2.15 Pelvic Positioning Strap.....	14
2.16 H-Strap .....	14
2.17 Heel Loops .....	14
2.18 Commode Pan .....	14
2.19 Fasteners .....	15
3.0 CLEANING AND MAINTENANCE	
3.1 Cleaning After Each Use .....	16
Commode Pan .....	16
Molded Seat .....	16
3.2 Cleaning As Needed .....	16
Adjustable Tension Back Upholstery.....	16
Frame, Armrests, Adjustable Footrests, and Other Components .....	16
3.3 Suggested Cleaning Products.....	17
4.0 LIMITED WARRANTY .....	18
5.0 CONTACTS .....	19

## 1.0 GENERAL INFORMATION

### 1.1 Raz Rehab Shower Chair AT Model Overview



### 1.2 Raz Rehab Shower Chair AT Model Specifications

SPECIFICATION	RAZ AT
TILT FUNCTION	Gas spring assisted, up to 40° tilt range
SEAT WIDTH	18"
SEAT DEPTH	16" or 19"
SEAT ADJUSTMENT	Up to 2" (fore/aft)
SEAT HEIGHT (front seat to floor)	21" – 25"
CLEARANCE HEIGHT	
Under Pan:	12½" – 16½"
Under Frame:	17¾" – 21¾"
FIXED BACK – Standard Fixed Height., Flip-Up Armrests	17" back height (Z505) 20" back height (Z506)
ADJUSTA BACK – Optional Adj. Ht./Angle, Flip-Up Locking Armrests	17" back height (Z510) 20" back height (Z515) 24" back height (Z520)
ARMREST HEIGHT	8½" (Z505) 9½" (Z506) 7" – 9½" (Z510) 8" – 10½" (Z515) 8" – 10½" (Z520)
WIDTH BETWEEN ARMPADS	18¾"
LATERAL SUPPORT (adjustment range)	1¼" – 2½" offset 2" vertical, 1" fore/aft ± 5° pad angle
FOOTREST ADJUSTMENT (from seat to footplate)	16" – 20½" (Z705) 18" – 22½" (Z707)
CASTER TYPE AND SIZE	Dual-locking 5" casters (x4)
OVERALL WIDTH	22" (w/ std. armpad) 25½" (w/ Z715 armpad)
OVERALL LENGTH WHEN UPRIGHT	
Without footrests:	33½"
With footrests:	43¼"
OVERALL LENGTH WHEN TILTED	
Without footrests:	41½"
With footrests:	51¼"
WEIGHT CAPACITY	300 lbs.
PRODUCT WEIGHT	65 lbs.
FRAME AND HARDWARE MATERIAL	Stainless Steel

## 2.0 USE AND OPERATION

### IMPORTANT !

**ADJUSTMENTS SHOULD NEVER BE ATTEMPTED WITH THE USER IN THE CHAIR.**

#### 2.1 Tilt Function

The Raz AT Shower Chair tilts up to 40° to provide comfort and pressure relief for the user. Two gas assisted springs facilitate this operation for attendants and make the tilt smooth for the user.

To tilt the chair the attendant must squeeze both tilt triggers and move the chair into the desired angle. To lock the chair in place the triggers are released.

Directly after the purchase, the triggers and springs may seem stiff. This stiffness is normal and diminishes with use.

Some attendants may feel the need for a Tilt Assist Pedal, which enables the attendant to place one foot on the lever to facilitate tilting. The tilt function must only take place when the casters are locked.

*NOTE: When the chair is mounted at the lowest height setting the maximum potential tilt angle is 40°. The higher the chair is set, the fewer degrees the chair can be tilted back. (e.g. with a seat-to-floor height of 25" the chair can be tilted back 36°)*



### IMPORTANT !

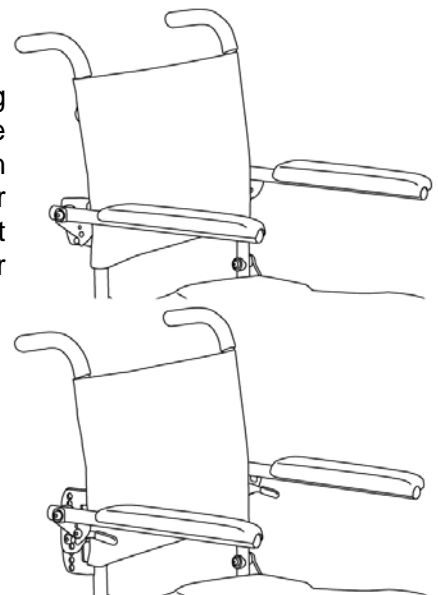
**DO NOT ATTEMPT TO TILT A RAZ SHOWER CHAIR IF THE ATTENDANT IS PHYSICALLY INCAPABLE OF SAFELY AND SMOOTHLY OPERATING THE TILT MECHANISM WITH A USER OCCUPYING THE CHAIR. ANY ATTENDANT MUST BE FAMILIAR WITH PROPER TILTING TECHNIQUES PRIOR TO ASSISTING A USER IN THE SHOWER COMMODE. A PELVIC STRAP IS RECOMMENDED FOR ANY USER AS AN EXTRA SAFETY PRECAUTION.**

#### 2.2 Fixed Back Backrest

The Raz Shower Chair has two back types to choose from during ordering: a standard Fixed Back and an optional Adjusta-Back. The Fixed Back, can be set at a 85°, 90°, or 95° angle. The armrests on this back type are mounted at one height and angle, but flip up for transfers. The Fixed Back can be ordered in either a 17" back height or a 20" back height. An armrest lock upgrade can also be ordered for Fixed Backs.

#### 2.3 Adjusta-Back Backrest

The optional Adjusta-Back is adjustable in angle (85°, 90°, or 95°) and has armrests that can be adjusted in height and angle. The armrests lock automatically when flipped down. The Adjusta-Back can be ordered in either a 17", 20", or a 24" back height.



## 2.4 Adjustable Tension Back Upholstery

The Fixed and Adjusta-Backs come with an Adjustable Tension Back Upholstery which provides trunk support for optimal positioning and comfort. The Adjustable Tension Back Upholstery is available in both a polyester fabric for comfort, and a vinyl material ideal for clinical facilities. The upholstery is removable for machine washing and available in the 17", 20", and 24" heights according to the back height selected for the chair.

To install the Adjustable Tension Back Upholstery on a Fixed Back:

1. Place the fabric against the front of the backrest canes making sure that when wrapped around, the clips on the straps face away from the fabric, and the loops point downwards.
2. Clip up the lowest strap below the armrest weldment.
3. The second lowest strap must be inserted through the slots in the armrest weldments.
4. The middle strap can be clipped up above the armrest weldment.
5. The second highest strap from the bottom of the backrest must be fed through the loop on the strap above it, and can then be clipped up below the crossbar.
6. The highest strap can be clipped up above the crossbar.
7. Adjust all of the straps to meet the user's needs.

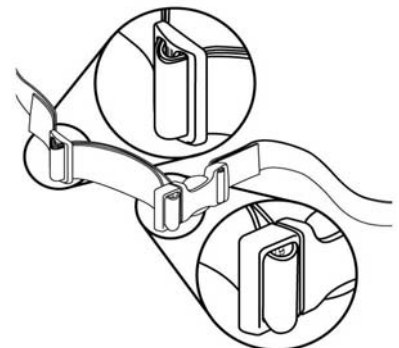
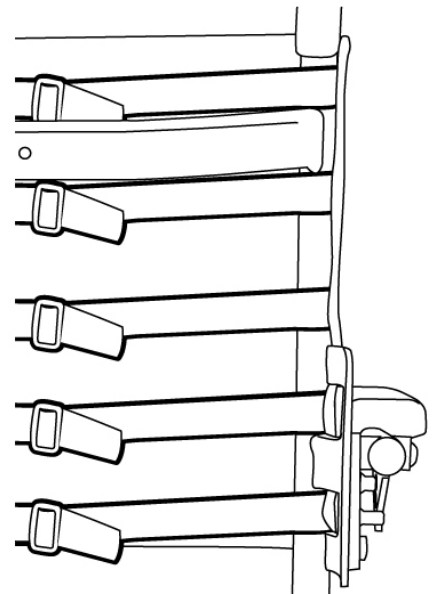
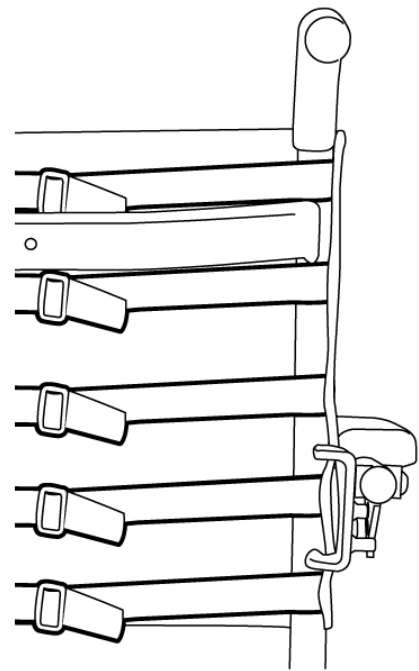
*NOTE: For the 20" Fixed Back, the two lowest straps should be clipped up underneath the armrest weldment. The other four straps can be clipped up in a pattern similar to the 17" Fixed Back.*

To install the Adjustable Tension Back Upholstery on an Adjusta-Back:

1. Place the fabric against the front of the backrest canes making sure that when wrapped around, the clips on the straps face away from the fabric, and the loops point downwards.
2. The lowest two straps must be inserted through the holes in the armrest weldments.
3. The middle strap can be clipped up above the armrest weldment.
4. The fourth strap from the bottom of the backrest must be fed through the loop on the strap above it, and can then be clipped up below the crossbar.
5. The highest strap can be clipped up above the crossbar.
6. Adjust all of the straps to meet the user's needs.

*NOTE: For the 20" Adjusta-Back, the lowest strap should be clipped up underneath the armrest weldment. The other five straps can be clipped up in a pattern similar to the 17" Adjusta-Back. For the 24" Adjusta-Back, the two highest straps should be clipped up above the backrest crossbar. The other five straps can be clipped up in a pattern similar to the 20" Adjusta-Back.*

To adjust the Adjustable Tension Back Upholstery, each strap can be tightened or loosened at the buckles to achieve a wide range of positions. For example, the second and third straps from the bottom can be tightened further to create more pronounced support in the lumbar area of the back. The looser the straps of the back upholstery, the more the fabric will sling into the chair.





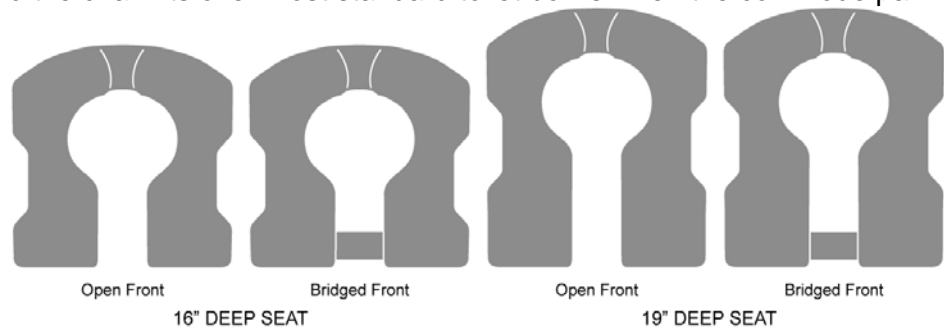
To remove the Adjustable Tension Back Upholstery, release the buckles on the straps.

*NOTE: The bottom strap should be fastened below the armrest weldment on the back frame. In order to remove some straps, it may help to raise the armrests.*

## 2.5 Molded Seat

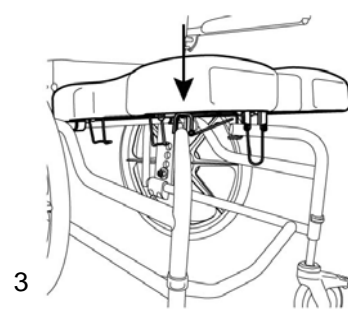
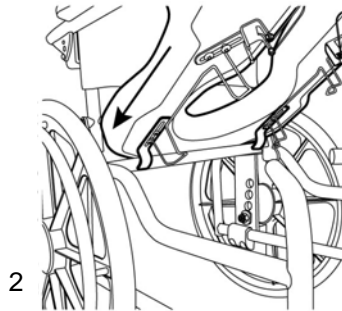
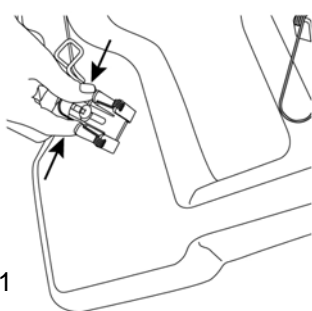
The unique seat on all Raz AT Shower Chairs was designed to help stabilize the pelvis and contoured for pressure reduction. The seats are made from a soft, integral-skin foam and are available in four configurations: 16" deep open front, 16" deep bridged front, a 19" deep open front, and 19" bridged front. Also available is an upgrade pressure reduction seat for maximum comfort. The PRx seats are available in 16" and 19" seat depths each with 5 configurations: bridged front, open front, left opening, rear opening, and right opening. The seat is an element of the unique Ischial Pelvic Alignment System (IPAS), it provides 2" of fore and aft adjustment and readily locks in place for transfers but also removes easily for cleaning. Optional spacers for anterior or posterior seat angle adjustment are also available with the Raz Shower Chair. The seat-to-floor height achievable on the Raz AP and SP Shower Chairs is between 19½" and 23½" and the chair fits over most standard toilet bowls when the commode pan is not in place.

Please Note: 16" Open Front Seat comes standard with the Raz Rehab Shower Chair



To install the Molded Seat:

1. Open the spring clips by squeezing each inward to unlatch the free end from the seat bracket.
2. Slide the rear of the seat over the rear crosstube as the front of the seat is lowered onto the frame. Check to make sure that the rear seat brackets hook below the crosstube.
3. Lower the front of the seat until the front seat brackets nestle onto the front seat support tubes.
4. To secure the seat in place, squeeze each clip inward while moving the free end towards the seat until the spring clips click into the seat bracket under the front support tubes.



To remove the Molded Seat:

1. Unlatch the spring clips from the front seat brackets.
2. Lift the front of the seat directly up.
3. Pull the seat towards the front of the chair to unhook the rear brackets.

## IMPORTANT !

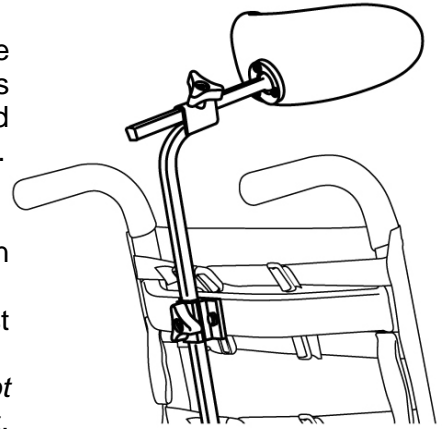
**NEVER ATTEMPT TO CHANGE THE SEAT HEIGHT WITHOUT THE HELP OF A QUALIFIED DEALER. ADJUSTED SEAT POSITIONS WILL REDUCE THE CHAIR'S STABILITY AND MAY RESULT IN TIPPING AND INJURY.**

## 2.6 Molded Headrest

The Molded Headrest is included with all Raz AT Shower Chairs. The Molded Headrest is shaped to cradle the head comfortably and is easy to clean. The Molded Headrest can be adjusted infinitely forward and backwards within a 6½” range, and vertically within a 12½” range.

To adjust the Molded Headrest:

1. Loosen the bottom tri-lobe knob and adjust the vertical “swan neck” bar to achieve headrest height adjustment.
2. Loosen the top tri-lobe knob and adjust the headrest horizontally for a fore/aft change in position.
3. To change the angle of the headrest pad, loosen (*do not remove*) the three screws on the back of the Molded Headrest. Rotate the headrest around the end of the headrest mounting bar to suit the users’ needs and tighten the screws to secure the desired position.
4. Ensure that all knobs and screws are tightened securely for the user’s safety.



## 2.7 Adjustable Footrests

Adjustable Footrests are available as an option on all Raz Shower Chairs. Adjustable Footrests are recommended for users who need an extra level of comfort, positioning, or pressure relief in the thighs. For transfers the footrests can be flipped up, rotated away, or removed entirely. Adjustable Footrests can be extended for users with longer legs with the footrest extension tube, a 2” longer tube that can be ordered as an option for any Raz Shower Chair.

To insert the Adjustable Footrests:

1. Place the footrest hanger tubes into the receiving sleeves at.
2. If the support tubes are aligned forward, the pins on the tubes will engage with grooves in the sleeves and lock in place.

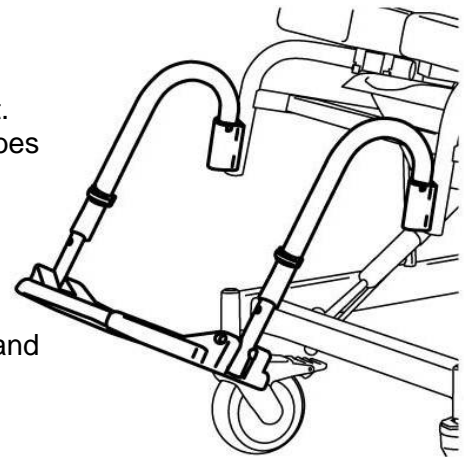
To adjust the length of the Adjustable Footrests:

1. Remove the snap-pin from one footrest hanger tube.
2. Reposition the footplate to a length suitable for the user.
3. Insert the snap-pin through the footrest hanger tube and through the inner tube.

To rotate the Adjustable Footrests:

1. Lift the footrest hanger tube up to disengage the pins.
2. Rotate the footrests outward or inward.

To remove the Adjustable Footrests, lift the footrests out of the receiving sleeves on the frame.

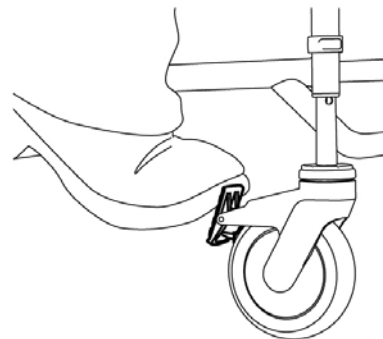


## 2.8 Casters

Each Raz Rehab Shower Chair caster is equipped with a dual-lock feature, which stops the caster from swivelling and rolling simultaneously.

To engage the dual-lock, step on the end of the caster lock lever until it latches in the on position.

To disengage the dual-lock, step on the raised end of the caster lock lever until it latches in the off position.



## 2.9 Directional Caster Lock

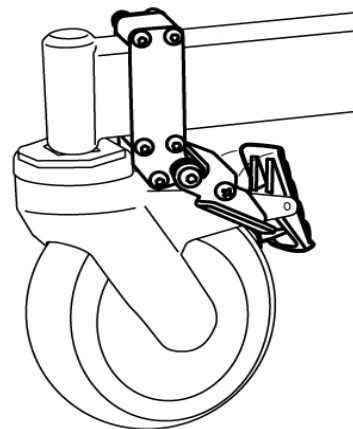
A Directional Caster Lock can be added to one caster on the Raz AT Shower Chair to facilitate linear movement of the commode and manipulation in confined environments. The flip-down directional lock keeps one rear caster aligned in a forward direction. This feature is provided to facilitate the pushing of the chair by reducing unwanted sideways movement. Close-quarters manoeuvrability may be easier with the directional lock in the off (*upwards*) position.

To engage the Directional Caster Lock:

1. Ensure that the casters' dual-locks are not activated and that each caster can swivel and roll freely.
2. Pull the shower chair rearward until the rear casters swivel to their forward positions, directly under the frame tube.
3. Flip the directional lock guide latch down to its on position so that it cradles and holds the caster in the forward position.

*NOTE: If the caster is not perfectly in-line with the frame, the spring-loaded latch, once activated, will engage if the rear caster is slowly swung around.*

To disengage the Directional Caster Lock, flip the spring-loaded latch up, to its off position.

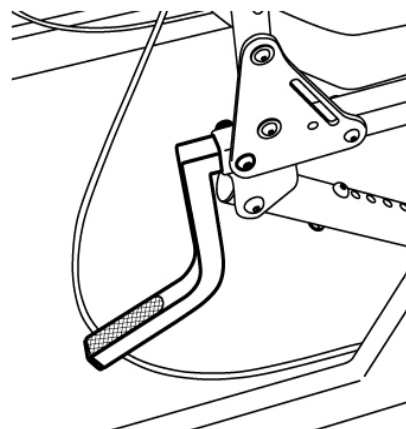


# IMPORTANT !

**ALWAYS RELEASE THE DIRECTIONAL LOCK AND SWIVEL ALL FOUR CASTERS TO THEIR OUTWARD POSITION (LOCKING THEM) FOR MAXIMUM STABILITY BEFORE EVER TRANSFERRING A USER.**

## 2.10 Tilt Assist Pedal

A Tilt Assist Pedal can be ordered with the Raz AT Shower Chair to facilitate tilting the chair for attendants. The Tilt Assist Pedal can be mounted on either the left or right side depending on the attendant's preference. The installation of a Tilt Assist Pedal should be performed by a qualified technician.

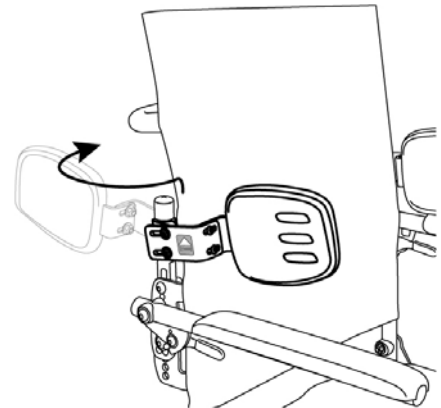


## 2.11 Lateral Supports

Raz Shower Chairs may be fitted with optional lateral supports. Lateral Supports are designed to assist a user in maintaining an upright posture in the Raz Shower Chair. One or two Lateral Supports may be mounted on any Raz Model. The molded foam pads have a soft foam exterior, contoured to hug the torso, with a solid insert to provide strength for positioning. An extension plate can be ordered as an option to attain additional reach with the lateral support pad. The Lateral Pads can be adjusted medially up to 1" on both sides of the chair for slighter individuals. The Lateral Supports can be adjusted towards or away from the chair's backrest within a range of 1". The Lateral Support Pads can also be angled to meet the users' needs. Both Lateral Support Pads lock in front of, and behind, the backrest.

To release a Lateral Support Pad from the forward position:

1. Grasp one pad bracket at the blue arrow decal and lift up.
2. Once released, rotate the Lateral Pad to a position behind the back and press down above the decal to lock the pad in place.
3. Repeat for the other Lateral Support if desired.
4. Ensure that the laterals are locked in place before use.



To release a Lateral Support Pad from the rearward position:

1. Grasp the pad bracket near the mounting post and lift up.
2. Once released, rotate the Lateral Pad around to the front and press down above the decal to lock the pad in place.
3. Repeat for the other Lateral Support if desired.
4. Ensure that the laterals are locked in place before use.

## IMPORTANT !

**ALL ADJUSTMENTS TO LATERAL SUPPORT PADS (UP/DOWN, MEDIAL/LATERAL, AND ANGLE) MUST BE PERFORMED BY A QUALIFIED TECHNICIAN. ALL ADJUSTMENTS PERFORMED MUST NOT IMPEDE THE OPERATION OF OTHER COMPONENTS.**

## 2.12 Leg Adductors

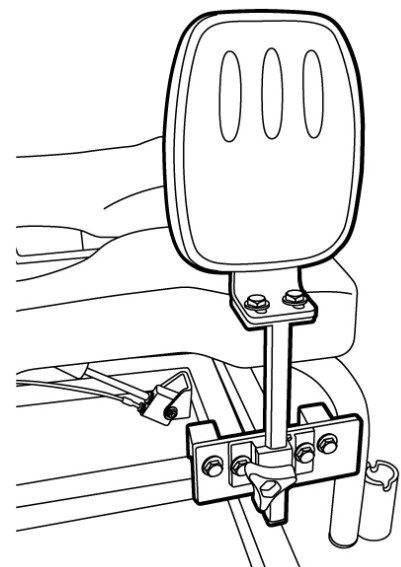
Leg Adductors are available as an option on Raz AT Shower Chairs. Leg Adductors are recommended for users who need assistance with leg positioning. For transfers, the adductor pads can be removed entirely. Leg Adductors have a comfortable 6"x5" molded foam pad and are multi-axis adjustable to meet users' unique needs.

To insert the Leg Adductors:

1. Loosen the tri-lobe knob on the adductor clamp mounted on the side of the chair frame.
2. Insert the leg adductor mounting post into the clamp.
3. Move the adductor pad to the desired height for the user.
4. Tighten the tri-lobe knob.
5. Repeat steps 1 to 4 for the other Leg Adductor if necessary.

To adjust the Leg Adductors:

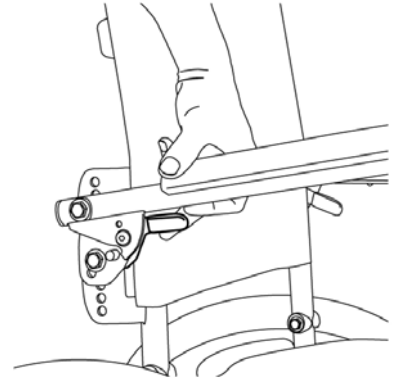
1. Loosen the tri-lobe knob on the Leg Adductor clamp mounted on the side of the chair frame.
2. Reposition the adductor pad to a height suitable for the user.
3. Tighten the tri-lobe knob.
4. Repeat steps 1 to 3 for the other Leg Adductor if necessary.



To remove the Leg Adductors, loosen the tri-lobe knob and lift the adductor out of the adductor clamp on the frame.

### 2.13 Armrests

The Raz AT Shower Chair comes standard with a Fixed Back and flip-up padded armrests. Any chair ordered with an Adjusta-Back will have locking flip-up armrests, and a range for armrest height and angle adjustment to suit the users' needs. Also available are 3¼" wide Molded Flat Armpads, and Molded Arm Troughs as alternatives to the standard 2¼" wide armpads. On chairs with an Adjusta-Back, the armrests are height adjustable within a 3" range in ½" increments. The armrests can be adjusted in height from 7½" to 9½" with the 17" Adjusta-Back and from 8½" to 10½" with the 20" and 24" Adjusta-Backs. The armrest angle can be adjusted up 5° or down 5° if the backrest angle is adjusted from the 90° factory position *on Adjusta-Backs only*.



To flip up the locking Armrests, release the arm lock by lifting the blue trigger underneath the armrest tube and lift up the armrest.

## IMPORTANT !

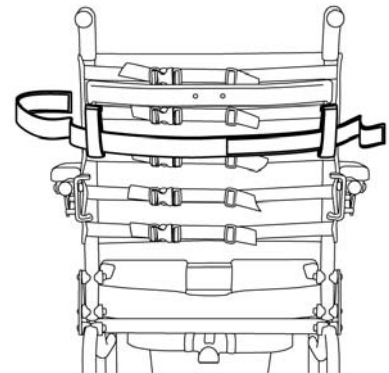
**ARMRESTS ON RAZ AT MODELS ARE NOT INTENDED TO SUPPORT THE ENTIRE BODY WEIGHT OF AN INDIVIDUAL. TOO MUCH WEIGHT MAY CAUSE DAMAGE TO THE ARMRESTS OR MAY CAUSE THE CHAIR TO TIP.**

### 2.14 Chest Positioning Strap

An optional one-piece Chest Positioning Strap can be attached to any Raz Model. The back upholstery includes loops that are intended as strap guides.

To install the Chest Positioning Strap:

1. Insert one side of the strap through both back upholstery loops.
2. With the user seated in the chair, thread one end of the strap through the plastic loop on the other end of the chest strap.
3. Secure the strap in front of the user with the Velcro closure.



To adjust the Chest Positioning Strap:

1. Open the Velcro on the strap.
2. Tighten or loosen the strap around the user as needed.
3. Fasten the chest strap to secure the user.

## IMPORTANT !

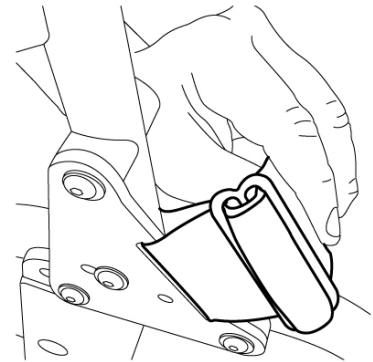
**ANY ADJUSTMENTS TO THE CHAIR'S STRAPS SHOULD BE PERFORMED WITH EXTREME CAUTION AS THE USER'S SAFETY MAY BE DEPENDENT ON SECURE POSITIONING STRAPS.**

### 2.15 Pelvic Positioning Strap

An optional two-piece Pelvic Positioning Strap can be ordered with the chair and can be attached to any Raz Model. The pelvic strap uses heavy-duty webbing and a buckle for one-handed operation.

To install the Pelvic Positioning Strap:

1. Weave the loose end of one strap through the DD-ring and slide the DD-ring several inches from the end.
2. Feed the strap through the slot in the backrest mounting plate – **from the inside to the outside** and then weave the loose end back through the DD-ring.
3. Repeat steps 1 and 2 for the other side of the chair.
4. Adjust the DD-ring and tighten the pelvic strap as necessary.



To adjust the Pelvic Positioning Strap:

1. Loosen both straps through the DD-ring on one side.
2. Adjust by pulling/pushing the strap end in/out of the DD-ring.
3. Repeat step 2 for the other side of the strap.
4. Pull tightly on each strap to ensure that it is secured properly.

### 2.16 H-Strap

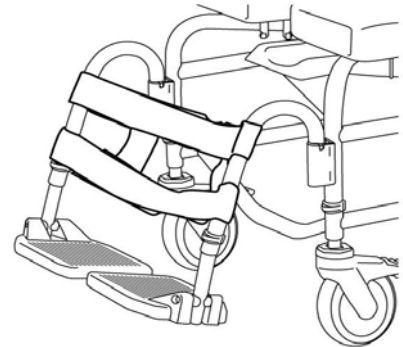
An optional one-piece H-Strap can be attached to the footrests on any Raz Model. The H-Strap is recommended for individuals who require additional positioning for the legs and feet.

To install the H-strap:

1. With the Velcro facing towards the chair, center the strap horizontally between both footrest hanger tubes and wrap the loop Velcro around the tubes until it engages with itself.

To adjust the H-Strap:

1. Disconnect the Velcro from the back of the H-strap and adjust to sling or tighten the H-strap to suit the users' needs.
2. Press firmly on the Velcro to secure the H-strap prior to use.



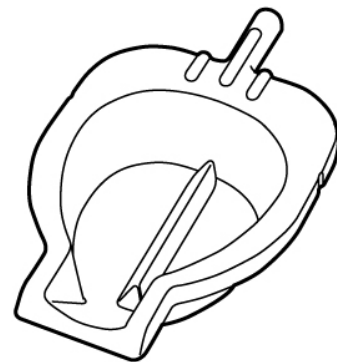
### 2.17 Heel Loops

Heel loops can be attached to one or both footrests on any Raz Shower Chair. They provide added support and comfort for the user especially when in a tilted position.

### 2.18 Commode Pan

The Raz Commode Pan was designed with an elongated form that fits directly under the seat to minimize backspray. A unique splash-reduction ridge is located at center of the pan. The high gloss surface facilitates cleaning and rinsing, while the pouring spout and handle facilitate emptying the contents. Removal of the Commode Pan is achieved by sliding the pan rearward.

*NOTE: When re-inserting the pan, ensure that the pan clicks into the stainless steel brackets and is centered under the seat aperture. If the brackets do not hold the pan under the seat securely, squeeze the metal brackets inward for realignment.*



## **2.19 Fasteners**

All fasteners (locknuts, screws, and washers) should be checked periodically to ensure that they are snug and do not pose risk to the user. All nuts used on your Raz Shower Chair are locknuts or are used in conjunction with lock washers. Locknuts that are removed for any reason should be replaced rather than re-used. The fasteners should be checked periodically to ensure a secure fit.

### **IMPORTANT !**

**A QUALIFIED RAZ DEALER SHOULD BE CONTACTED TO CHECK ALL FASTENERS, CASTER AND WHEEL LOCKS, HARDWARE, AND ALL OTHER MOVING COMPONENTS AT LEAST ONCE PER YEAR.**

### 3.0 CLEANING AND MAINTENANCE

#### 3.1 Cleaning After Each Use

##### Commode Pan

1. Remove the Commode Pan and empty its contents.
2. Wash the pan with a multi-purpose disinfectant cleaning solution. Use a toilet brush if needed.
3. Rinse well before storage or re-use.

*Note: A soapy hot water wash followed by a disinfectant spray can be substituted for a multi-purpose disinfectant cleaning solution*

##### Molded Seat

1. Spray with a multi-purpose disinfectant cleaner and scrub with a soft brush as required.
2. Rinse with a water spray before storage or re-use.

**DO NOT IMMERSE** the shower chair seat in water or cleaning solutions.

3. For a more thorough cleaning, remove the seat from the shower chair to allow better access to the underside of the seat around the opening or aperture area of the seat.

See section 2.5 for seat removal instructions.

#### 3.2 Cleaning As Needed

##### Adjustable Tension Back Upholstery

1. Remove the plastic buckles and tri-glides from the back upholstery straps, paying attention to how the straps are wound through each component as they are removed.
2. Remove the back upholstery from the back frame and machine wash with a mild detergent in warm water on a normal or gentle wash cycle. Include the H-strap, pelvic and chest straps if they were ordered with the chair and require cleaning.
3. Install the back upholstery and other positioning straps on the chair and allow to dry. **DO NOT** dry the back upholstery in a clothes dryer or damage to the upholstery may occur.
4. Install the back upholstery on the back frame and assemble all plastic buckles and tri-glides onto the straps.
5. Adjust the back upholstery straps to the desired tension.

##### Frame, Armrests, Adjustable Footrests, and Other Components

1. Spray the frame and components with a multi-purpose disinfectant cleaner, and scrub with a soft brush and rinse with water.
2. If necessary, spray the frame and components with a diluted (10 parts water to 1 part solution) calcium/lime removal solution, scrub with a soft brush, and rinse thoroughly with water. **DO NOT** mix a calcium/lime remover with any other liquid or toxic fumes may result.

It is recommended that a qualified Raz dealer check over all fasteners and subassemblies on a continuing basis or if there is cause for concern to the shower chair's performance.

It is highly recommended that the rinsing of Raz Shower Chair components occur in a well drained area with an industrial steam cleaner (e.g. Intersteam) or a commercial pressure washer.

Several times each year the chair and its components should be wiped down with a diluted calcium/lime removal solution to reduce deposits, followed by a hot water rinse.

To minimize the risk of mildew buildup the entire chair should be wiped down with a soft dry cloth after the final rinse and before storage or use.



### 3.3 Suggested Cleaning Products

<b>Task</b>	<b>Recommended Products</b>
General Cleaning	Antibacterial Detergent
Tuberculocidal Surface Cleaner and Intermediate Level Disinfectant	Accel TB (Virox Technologies Inc.), SepteFX 7D-11 (Titan Worldwide Inc.)
Calcium and Lime Deterrent	CLR Outdoor Furniture Cleaner

## **IMPORTANT !**

**DO NOT USE ABRASIVE POWDERS OR SCOURING PADS ON THE RAZ SHOWER CHAIR.**

**DO NOT SUBMERGE THE RAZ SHOWER CHAIR IN WATER.**

**RINSE THOROUGHLY AFTER CLEANING TO ENSURE THAT ANY SOAP OR DETERGENT RESIDUE IS REMOVED.**

**DO NOT USE CLEANING PRODUCTS WITHOUT CONSULTING THE PRODUCTS' INSTRUCTIONS AND TAKING APPROPRIATE PRECAUTIONS FOR HUMAN EXPOSURE TO CHEMICALS.**

## 4.0 LIMITED WARRANTY

This warranty is extended only to the original purchaser/user of Raz Rehab Shower Chairs from a qualified Raz dealer.

This warranty gives you specific legal rights, but you may have additional legal rights depending on your region and country.

This warranty shall be extended to comply with state/provincial laws and requirements.

With regards to the original purchaser/user only, Raz Design warrants its base and back frame components to be free of defects in materials and workmanship for a period of two (2) years from the date of purchase. All other components on the Raz Rehab Shower Chair are covered for a period of one (1) year and are subject to normal wear and tear exclusions. If within such warranty period any such product shall be proven to be defective, the part will be repaired or replaced, at Raz Design's discretion. This warranty does not include any labour or shipping charges incurred in replacement, part installation, or repair of any such product.

For warranty service, please contact the dealer from whom you purchased your Raz Rehab Shower Chair. In the event that you do not receive satisfactory warranty service, please contact Raz Design directly using the contact information located in either the beginning or the end of this manual. In your correspondence please provide your dealer's name and address, the product type, the date of purchase, the chair's serial number (on a grey label located on the chair frame), as well as the nature of the product defect. Do not return products to the manufacturer without prior authorization.

### **Limitations and Exclusions:**

The foregoing warranty shall not apply to serial numbered products if the serial number has been removed or defaced, and to products subjected to negligence or an accident. Improper operation, maintenance, or storage may void the warranty coverage on the Raz Rehab Shower Chair.

The warranty does not apply to products modified without Raz Design's express written consent. This includes, but is not limited to, modification through the use of unauthorized parts or attachments, products damaged by reason of repairs made to any component without the specific consent of Raz Design, or to a product damaged by circumstances beyond Raz Design's control. Only Raz Design will have the authority to determine whether or not the circumstances are eligible for warranty coverage. The warranty will not apply to problems arising from normal wear or failure to adhere to the instructions contained in this manual.

The foregoing warranty is exclusive and in lieu of any other warranties, whether express or implied, including the implied warranties of merchantability and fitness for a particular purpose. The sole remedy for violations of any warranty whatsoever will be limited to repair or replacement of the defective product in compliance to the terms contained in this document.

The application of any implied warranty shall not extend beyond the duration of the express warranty provided herein. Raz Design will not be liable for any consequential or incidental damages to part or whole of a Raz Rehab Shower Chair.

## 5.0 CONTACTS

It is important that the Raz Rehab Shower Chair be properly assembled and all adjustments be made carefully. Up-to-date manuals can be downloaded from [www.razdesigninc.com](http://www.razdesigninc.com), or ordered by mail. For clarification of any section of this manual, contact a local Raz dealer, the Canadian distributor, or the manufacturer.

### **IN CANADA**

**Dynamic Health Care Solutions**  
Bolton, Ontario Canada  
905.951.8541 / 866.875.2877  
[info@dynamichcs.com](mailto:info@dynamichcs.com)

### **IN THE U.S.A**

**Raz Design Inc.**  
Toronto, Ontario Canada  
1.877.720.5678  
[info@razdesigninc.com](mailto:info@razdesigninc.com)