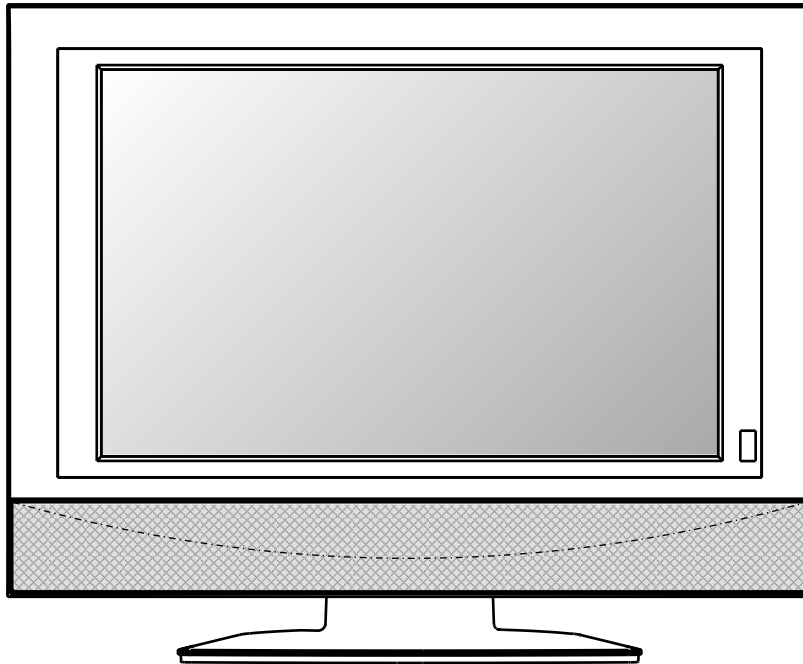




***19" HD Ready Widescreen
LCD Television***



ASTV 3619WS-HDMI



Owner's Manual

SAFETY PRECAUTIONS


	CAUTION RISK OF ELECTRIC SHOCK DO NOT OPEN	
WARNING: TO REDUCE THE RISK OF ELECTRIC SHOCK, DO NOT REMOVE COVER (OR BACK). NO USER-SERVICEABLE PARTS INSIDE. REFER SERVICING TO QUALIFIED PERSONNEL.		


	The lightning flash with an arrowhead within a triangle alerts you to uninsulated dangerous voltage within the product's enclosure that could cause an electric shock.
	The exclamation point within a triangle alerts you to the presence of important operating, maintenance and servicing instructions in this user's manual.

WARNING: TO PREVENT FIRE OR SHOCK HAZARD, DO NOT EXPOSE THIS UNIT TO RAIN OR MOISTURE. DO NOT PLACE OBJECTS FILLED WITH LIQUIDS ON OR NEAR THIS UNIT.

CAUTION: DANGER OF EXPLOSION IF BATTERY IS INCORRECTLY REPLACED. REPLACE ONLY WITH THE SAME OR EQUIVALENT TYPE.

CAUTION INVISIBLE LASER RADIATION WHEN OPEN AND INTERLOCKS DEFEATED. AVOID EXPOSURE TO BEAM

 The symbol for Class II (Double Insulation)

 This symbol means that the unit complies with European safety and electrical interference directives.

PLACEMENT INFORMATION

- Do not use this unit in places which are extremely hot, cold, dusty, or humid.
- Place the unit on a flat and even surface.
- Do not restrict the air flow of this unit by placing it somewhere with poor air flow, by covering it with a cloth, or by placing it on bedding or carpeting.
- Under the environment with radio frequency interference, the picture may be influenced.

SAFETY INFORMATION


- When connecting or disconnecting the cord, grip the plug and not the AC cord itself. Pulling the cord may damage it and create a hazard.
- When you are not going to use the unit for a long period of time, disconnect the AC cord.
- The mains plug is used as the disconnecting device. It shall remain readily operable and should not be obstructed during intended use. To be completely disconnected from the supply mains, the mains plug of the apparatus should be disconnected from the mains socket outlet completely.
- When the signal lamp LED is off, it indicates that the apparatus is completely disconnected from the mains.
- The apparatus should not be exposed to dripping or splashing and that no objects filled with liquids, such as vases, should be placed on apparatus.
- To be completely disconnect the power input, the mains plug of apparatus shall be disconnected from the mains.
- The mains plug of apparatus should not be obstructed OR should be easily accessed during intended use.
- Leave a minimum of 100mm around the apparatus for ventilation.
- The ventilation openings should not be impeded by covering with items such as newspaper, table-cloths, curtains etc.
- No naked flame sources such as lighted candles should be placed on the apparatus;
- Attention should be drawn to the environmental aspects of battery disposal;
- The use of apparatus in moderate climates.
- Under the influence of electrostatic phenomenon, the product may malfunction and require user to power reset.

CONDENSATION INFORMATION

- When left in a heated room where it is warm and damp, water droplets or condensation may form inside the unit. When there is condensation inside the unit, the unit may not function normally. Let the unit stand for 1-2 hours before turning the power on, or gradually heat the room and let the unit dry before use.

RATING PLATE LOCATION

- The rating plate is on the back of product.

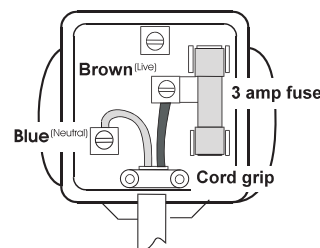
	WARNING: Should any problems occur, disconnect the AC cord and refer servicing to a qualified technician.
---	--

IMPORTANT SAFETY INSTRUCTIONS

MAINS PLUG

UNITS SUPPLIED WITH MOULDED MAINS PLUG

1. If the mains plug fitted to the AC cord supplied is not suitable for your mains outlet it may be necessary to cut it off. Carefully dispose of the severed plug. Under no circumstances must it be inserted into a mains socket, otherwise a dangerous electric shock could result.
2. If the fuse in the fitted mains plug should fail, replace it with a BS1362 approved fuse rated at 3A. Never use the plug without the fuse cover fitted.




The wires in this mains lead are coloured in accordance with the following code.

BLUE-NEUTRAL

BROWN-LIVE

WIRING A MAINS PLUG

As the wires in the mains lead may not correspond with the coloured markings identifying the terminals in your plug proceed as follows:

- The **wire** which is coloured **blue** must be connected to the **terminal** which is marked with the letter **N** or coloured **black**.
- The **wire** which is coloured **brown** must be connected to the **terminal** which is marked with the letter **L** or coloured **red**.
- **No connection** is to be made to the **earth terminal** of the plug which is marked with the letter **E** or coloured **green** or **green and yellow** or marked by the  safety earth symbol.

The standard (BS1363) mains plug must be fitted with a 3 Amp fuse approved to BS1362. If any other plug or connection is used a 3 Amp fuse must be fitted in the plug or adaptor or in the distribution board.

Caution: Moisture Condensation

If the equipment is moved from a cold place to a warm one, water in the air will condense on some parts and may cause damage or malfunction if the equipment is operated.

Allow at least two hours for the equipment to acclimatise before switching it on.

This unit is designed to operate from a 230V-240V AC ~ 50Hz mains supply.

Please note that when the STANDBY/ON switch is in the standby position this does not completely disconnect the unit from the mains supply. If the equipment is not to be used for a day or more, disconnect it at the wall outlet.



This symbol means that the unit is double insulated. No connection to earth is necessary.

SAFE USE OF YOUR EQUIPMENT

This equipment has been designed and manufactured to meet UK safety standards but like any electrical equipment care must be taken to obtain the best results from the equipment and assure your own safety. Here are a few tips to help you do this:

READ this instruction manual before you attempt to use the equipment.

NEVER fit makeshift stands or legs with woodscrews. Use only approved supports and fasteners specially designed for the equipment.

NEVER let anyone, especially children, push objects into holes, ventilation slots or any other opening; this could result in fatal electric shock!

ALWAYS disconnect the AC power cord when you are not going to use the unit for a long period of time.

ENSURE adequate ventilation of the equipment is not obstructed, for example by curtains above or soft furnishings underneath it.

ENSURE that all electrical connections (including the mains plug, extension leads and interconnections between pieces of equipment) are properly made in accordance with the instructions given. Switch off the main supply when making or changing connections.

CONSULT your dealer if you are ever in doubt about the installation, operation or safety of your equipment.

DON'T continue to operate the equipment if it is damaged in any way or if it does not function normally.

Withdraw the mains plug and consult your dealer.

DON'T leave equipment switched on when it is unattended unless it is part of its normal function to operate in your absence, for example a video cassette recorder with timed recording facility.

LISTEN to headphones at moderate volume levels; high volume levels can permanently damage your hearing.

TABLE OF CONTENTS

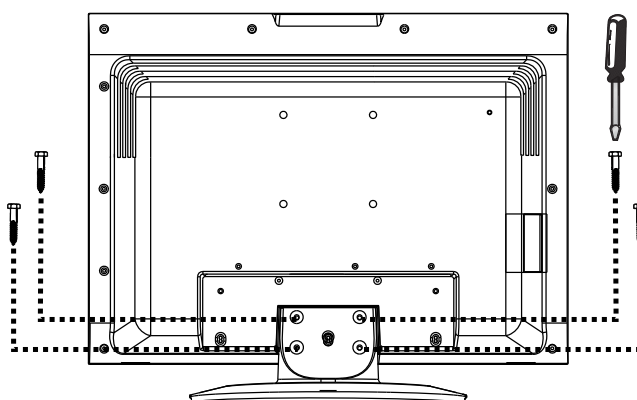
SAFETY PRECAUTIONS	2
IMPORTANT SAFETY INSTRUCTIONS	3
INSTALLATION	5
Removing the base stand.....	5
Mounting on the wall.....	5
REMOTE CONTROL	6
REMOTE CONTROL REFERENCE GUIDE	7
UNIT REFERENCE GUIDE	8
CONNECTING A TV ANTENNA	9
CONNECTING A POWER CORD	9
DISPLAY	10
UNIT OPERATION	10
TV SETUP	11 - 14
Setup menu.....	11
TV setting menu.....	12
Picture menu.....	13
Sound menu.....	14
TELETEXT	15 - 16
CONNECTIONS	17 - 22
Connecting to A/V devices (VCR, camcorder, game system, etc.)	17 - 18
Connecting to sources with component video output (DVD - 576i, 576p, 720p & 1080i are supported)	19
Connecting to sources with Scart	19
Connecting an audio amplifier	20
Connecting a PC	20
Connecting HDMI.....	21
USING HEADPHONES	21
TROUBLESHOOTING GUIDE	22

INSTALLATION

REMOVING THE BASE STAND

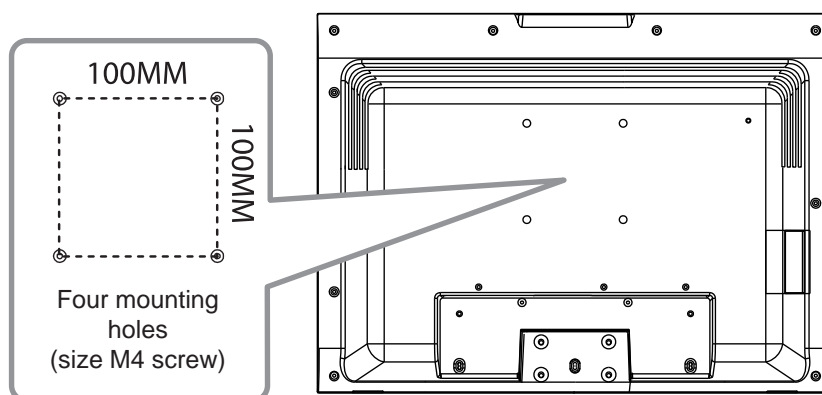
WARNING: The LCD Display is very fragile, and must be protected at all times when removing the base stand. Be sure that no hard or sharp object, or anything that could scratch or damage the LCD display, comes into contact with it. Do NOT place pressure on the front of the unit at any time because the screen could crack.

1. Disconnect any cables or cords connected to the unit.
2. Lay the unit down on a flat surface, so the back side is facing up, making sure to place a soft cushioned material (such as a pillow or thick piece of foam) beneath the screen.
3. Remove the four screws and then remove the BASE STAND from the TV.



MOUNTING ON THE WALL

This unit is VESA-compliant, and is designed to be wall-mounted with a VESA-compliant 100mm x 100mm mounting kit designed for flat-panel TVs (sold separately). Mount this unit according to the directions included with the mounting kit.



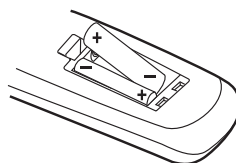
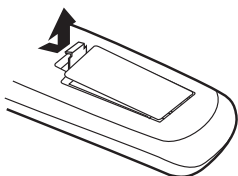
REMOTE CONTROL

USING THE REMOTE CONTROL

- Point the remote control at the REMOTE SENSOR located on the unit.
- When using this unit in a very brightly lit area, the infrared REMOTE CONTROL SENSOR may not work properly.
- The recommended effective distance for using the remote control is about 16 feet (5 metres).

TO CHANGE THE REMOTE CONTROL BATTERY

1. Open the battery door.
2. Insert two "AAA" batteries.



BATTERY REPLACEMENT

When the batteries become weak, the operating distance of the remote control will be greatly reduced and you will need to replace the batteries.

Note:

- If the Remote Control is not going to be used for a long time, remove the batteries to avoid damage caused by battery leakage corrosion.
- Do not mix old and new batteries. Do not mix ALKALINE, standard (CARBON-ZINC) or rechargeable (NICKEL-CADMIUM) batteries.



WARNING:

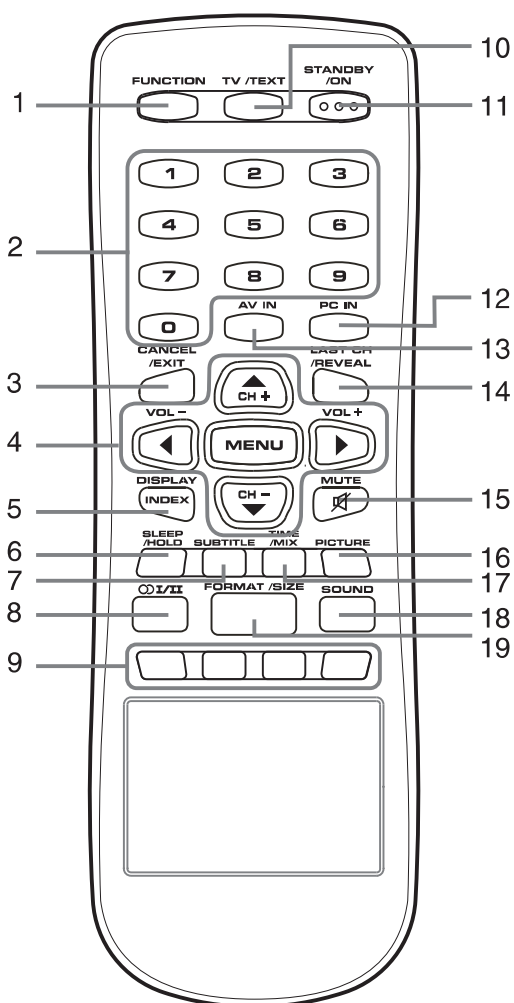
- Do not dispose of batteries in a fire or they may leak and/or explode.
- The battery shall not be exposed to excessive heat such as sunshine, fire or the like.



Waste electrical and electronic products must not be disposed of with household waste. Please refer to the retailer from whom you purchased this item for disposal instructions.

MK9 2NW

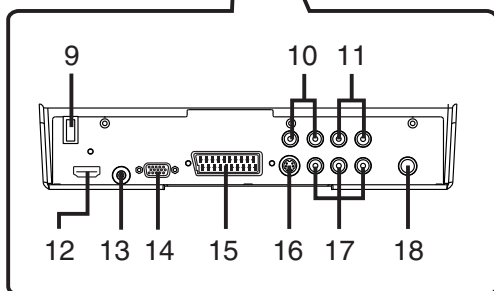
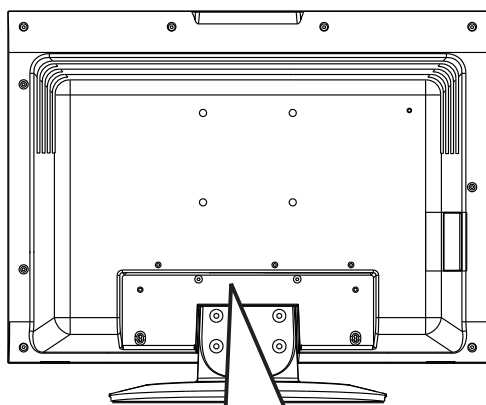
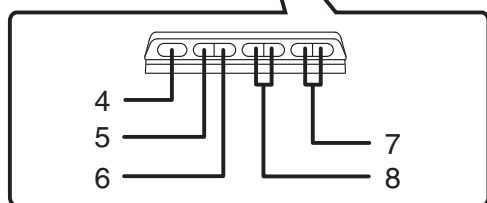
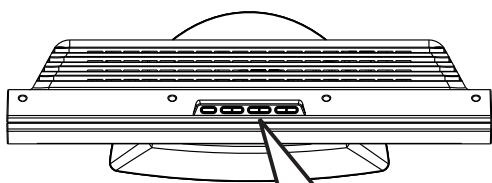
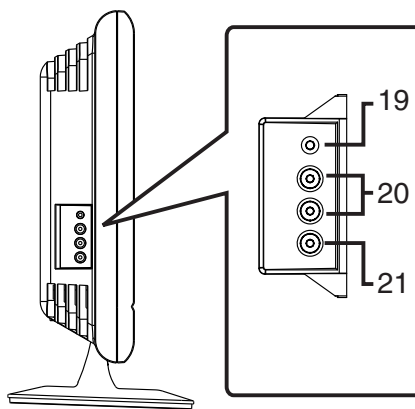
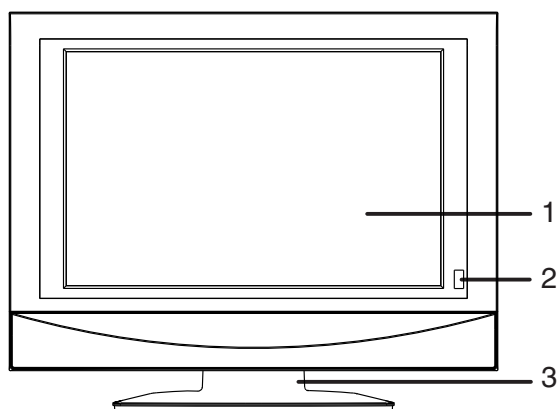
REMOTE CONTROL REFERENCE GUIDE



- 1) **FUNCTION button**
Toggle between TV, AV1, AV2/SCART, YUV, HDMI or PC.
- 2) **Number (0 – 9) buttons**
Use to change the TV channels.
- 3) **CANCEL button**
Press to cancel the Teletext menu.
EXIT button
Press to exit the menu and return directly to normal viewing.
- 4) **Cursor (▼, ▲, ◀, ▶) buttons**
Press to highlight selections on a menu screen and make adjust certain settings.
CH + & CH – button
Move up or down through the TV channels and forward or backward the page of Teletext screen.
MENU button
Press to display the on-screen menu.
+ VOLUME – button
Press to adjust the volume level.

- 5) **DISPLAY button**
Press to show which input you are watching (TV Channel, AV1, AV2/SCART, YUV, HDMI or PC).
INDEX button
Press to select the page number of the index from Teletext.
- 6) **SLEEP button**
Sets the SLEEP timer. The unit will remain ON for the time that is set, and will automatically shut off afterwards.
HOLD button
Press to stop the automatic page change from Teletext.
- 7) **SUBTITLE button**
Press to display the selected Teletext page.
- 8) **Ⓜ/Ⓢ button**
Directly select Mono/Stereo - Dual I/II.
- 9) **RED/GREEN/YELLOW/BLUE button**
Press to select the relevant page quickly from Teletext.
- 10) **TV /TEXT button**
Directly selects TV mode & Teletext mode.
- 11) **STANDBY/ON button**
Press to turn ON the unit or put it in STANDBY (OFF) mode.
- 12) **PC IN button**
Directly selects PC mode.
- 13) **AV IN button**
Directly selects AV 1, AV 2/SCART mode.
- 14) **LAST CH button**
Press to switch repeatedly between the last two channels displayed.
REVEAL button
Press to reveal answers on a quiz or game pages from Teletext.
- 15) **MUTE button**
Press to turn off the sound.
- 16) **PICTURE button**
Select from preset screen display settings to match the type of show you are watching (Standard, Personal, Movie, Dynamic, & Soft).
- 17) **TIME button**
Press to display the current time information from Teletext.
MIX button
Press to select Teletext with a TV programme.
- 18) **SOUND button**
Select from preset sound settings (Personal, Voice, Music, Theatre) to match the type of show you are watching.
- 19) **FORMAT button**
Press to select the picture format.
SIZE button
Press to set the letters size of teletext on the screen.

UNIT REFERENCE GUIDE



- 1) **Colour LCD Screen**
- 2) **STANDBY indicator**
Indicates whether the unit is ON or in STANDBY (OFF) mode.
Light On: The unit is in STANDBY.
Light Off: The unit is turned ON.
- Remote Control Sensor**
Do not block this sensor, or the remote control will not work.
- 3) **Removable Base Stand**
- 4) **STANDBY/ON Button**
Turns the unit on and off.
- 5) **MENU Button**
Enter the Setup menu.
- 6) **FUNCTION Button**
Select TV, AV1, AV2/SCART, YUV, HDMI or PC mode.
- 7) **- VOL + Buttons**
Adjusts the volume level and highlights selections (Left & Right) on the menu screen.
- 8) **◀ CH ▶ Buttons**
Select a TV channel and highlight selections (Up & Down) on the menu screen.
- 9) **Power Cord**
- 10) **Audio Output Jacks (Left/Right)**
- 11) **YUV IN Audio Input Jacks (Left/Right)**
- 12) **HDMI Input Jack**
- 13) **PC IN Audio Input Jack**
- 14) **PC IN MONITOR/VGA Input Jack**
- 15) **SCART (AV IN 2) Input Jack**
- 16) **AV IN 1 S-Video Input Jack**
- 17) **YUV IN Component Video Input Jacks (Y/PB/PR)**
- 18) **TV Antenna Terminal - Coaxial TV Antenna Input**
- 19) **Headphone Jack**
- 20) **AV IN 1 Audio Input (Left / Right)**
- 21) **AV IN 1 Video Input**

CONNECTING A TV ANTENNA

CONNECTING A TV ANTENNA/CABLE/SATELLITE

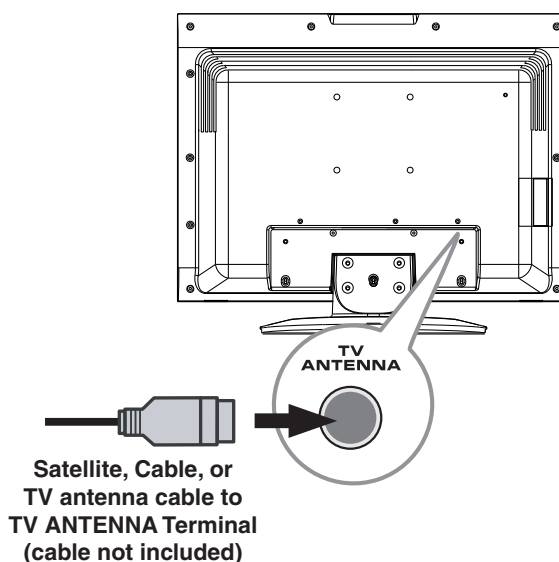
To view television channels correctly, a signal must be received from one of the following sources:

- An indoor or outdoor aerial antenna
- RF output of a cable system
- RF output of a satellite system

Note:

For receiving over-the-air TV broadcasts, we recommend that you use an external fixed antenna. Should you require the use of a temporary antenna, please ensure that you purchase an antenna with sufficient ability to receive in weak signal areas. Only when you are in close proximity to a transmitter will a temporary antenna reproduce a signal as strongly as a fixed antenna.

For best picture quality from a Satellite or Cable system, connect to the TV by the SCART connector as shown on Page 19.



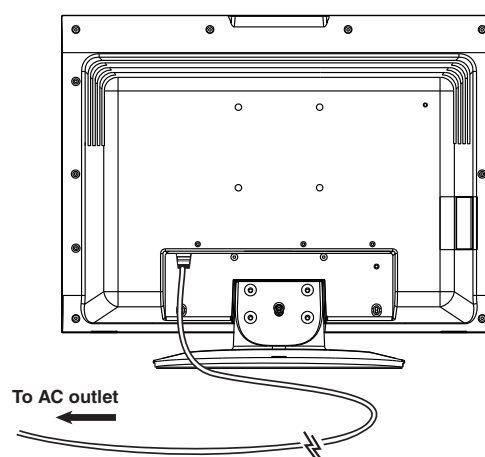
CONNECTING A POWER CORD

CONNECT THE POWER CORD

- Connect the AC power cord into a wall outlet.
- Press the **STANDBY/ON** button on the unit or remote control to turn on the unit.

Note:





- Be sure the AC power cord is disconnected and all functions are off before making connections.
- Make sure that all the components are connected correctly.
- When you are not going to use the unit for a long period of time, disconnect the power cord.



DISPLAY

DISPLAY INFORMATION

The display information shown below on the TV screen depending on the operation status.

Symbol	TV Display
	PICTURE menu
	SOUND menu
	SETUP menu
	TV SETTING menu

UNIT OPERATION

TURNING THE UNIT ON

When the AC power cord is connected, press the **STANDBY/ON** button on the unit to turn it on. Press the **FUNCTION** button to select the desired mode (TV, AV1, AV2/SCART, YUV, HDMI or PC).

TURNING THE UNIT ON FOR THE FIRST TIME

The first time you turn the unit on, it will go straight into Auto scan mode. Simply follow the screen prompts as below to tune in the channels.

1. Use the ◀ or ▶ button to select the Country you prefer.
2. Use the ▼ button to select Auto tune.
3. Make sure RF aerial has been connected properly to **TV ANTENNA** input jack on the rear of the TV, press the ▶ button. The system will automatically start to scan, sort and store all available TV channels.

After scanning and sorting is finished, the TV will display the first stored channel.



TV SETUP



SETUP MENU

1. Press the **MENU** button.
2. Use ◀ or ▶ button to select the **Setup menu**, then press ▼ button to enter the setting.
3. Use ▲ or ▼ button to select the options (**Language, Background, Sleep timer, Country, Teletext lang., Restore setting**) and adjust them using the ◀ or ▶ buttons.
4. Press the **MENU** button to return to previous menu, repeat step 3 to adjust other settings.
5. To exit the MAIN MENU and return to the normal screen, press the **EXIT** button on remote control.

In TV mode

- **Language** : Select the language your prefer.
- **Background** : Select the menu from translucent / opaque on the screen.
- **Sleep timer** : Select the time to turn the unit to Standby mode automatically: Off -> 5 - - - - -> 90 -> 120.
- **Country** : Select the country your prefer.
- **Teletext lang.** : Select the teletext language from West / East / Russian / Arabic Farsi.
- **Restore setting** : Reset the TV mode to the factory settings.

TV mode



In PC mode

- **Language** : Select the language your prefer.
- **Background** : Select the menu from translucent / opaque on the screen.
- **Sleep timer** : Select the time to turn the unit to Standby mode automatically: Off -> 5 - - - - -> 90 -> 120.
- **Restore setting** : Reset the PC mode to the factory settings.

PC mode



In AV / YUV / HDMI mode

- **Language** : Select the language your prefer.
- **Background** : Select the menu from translucent / opaque on the screen.
- **Sleep timer** : Select the time to turn the unit to Standby mode automatically: Off -> 5 - - - - -> 90 -> 120.
- **Restore setting** : Reset the AV / YUV / HDMI mode to the factory settings.

AV / YUV / HDMI mode



TV SETUP



TV SETTING MENU (in TV mode only)

1. Press the **MENU** button.
2. Use ◀ or ▶ button to select the **TV setting menu**, then press ▼ button to enter the setting.
3. Use ▲ or ▼ button to select the options (**Program no.**, **Program name**, **Channel edit**, **Colour system**, **Sound system**, **Auto tune**, **Manual tune**, **AFC**, **Skip**) and adjust them using the ◀ or ▶ buttons.
4. Press the **MENU** button to return to previous menu, repeat step 3 to adjust other settings.
5. To exit the MAIN MENU and return to the normal screen, press the **EXIT** button on remote control.

Note : This option is available in TV mode only.

- Program no.** : Use ◀ or ▶ to select a stored program.
Program name : Displays the name of the program.
Channel edit : Edit the selected TV channel. (Rename, Delete, Move)
Colour System : Select from Auto or PAL.
Sound System : Select from Auto, BG, I or DK.
Auto tune : Searches for usable stations and stores them in memory.
Manual tune : Use▶ button to enter, then either ◀ or ▶ to run. Use Manual to re-tune or Fine for slight adjustment if needed.
AFC : Auto frequency control.
Skip : **ON** - Skip weak channels.
OFF - No channel skip.



Channel edit

1. Press the **MENU** button.
2. Use ◀ or ▶ button to select the **TV setting menu**, then press ▼ button to enter the setting.
3. Use ▲ or ▼ button to select **Channel edit**, and press the ▶ button to enter channel edit menu.

Rename:

- 1) Use the ▲, ▼, ◀ or ▶ button to select the channel no. you want to rename, press the **RED** button.
- 2) Use the ▲ or ▼ button to select the characters to represent the station name. Use the ▶ button to move to next position of character.

Delete:

- 1) Use the ▲, ▼, ◀ or ▶ button to select the channel no. you want to delete, press the **YELLOW** button.
- 2) Press the **RED** button to confirm deleting the channel.

Move:

- 1) Use the ▲, ▼, ◀ or ▶ button to select the channel no. you want to move, press the **GREEN** button.
- 2) Use the ▲, ▼, ◀ or ▶ button to select the channel no. you want to move the new channel no to.
- 3) Press the **RED** button to confirm moving the channel.
4. To exit the MAIN MENU and return to the normal screen, press the **EXIT** button on remote control.



TV SETUP



PICTURE MENU

1. Press the **MENU** button.
2. Press **▼** button to reach Preset, then press **▶** button to choose Personal.
3. Use **▲** or **▼** button to select the options (**Brightness, Contrast, Colour, Sharpness, Tint, Colour Temp, Preset**) and adjust them using the **◀** or **▶** buttons. (The screen will change to your desired setting).
4. Press the **MENU** button to return to previous menu, repeat step 3 to adjust other settings.
5. To exit the MAIN MENU and return to the normal screen, press the **EXIT** button on remote control.

In TV / AV / YUV* / HDMI* mode (* part menu only)

- **Brightness** : Adjust to brighten the darkest parts of the picture.
- **Contrast** : Adjust to sharpen the picture quality. The black portions of the picture become richer in darkness and the white become brighter.
- **Colour** : Adjust the colour of the picture.
- **Sharpness** : Adjust the sharpness level to improve detail in the picture.
- **Tint** : Adjust the tint of the picture. (Toward purple / Toward green)
- **Colour Temp** : Adjust the three colour temperature of the picture. Select Normal (balanced) / Cold (blue white) / Warm (red white) mode.
- **Preset** : Select from preset screen display settings to match the type of show you are watching (Standard, Personal, Movie, Dynamic, & Soft).

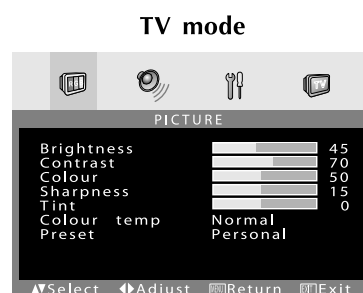
Note :

You can also select simply by pressing the **PICTURE** button.

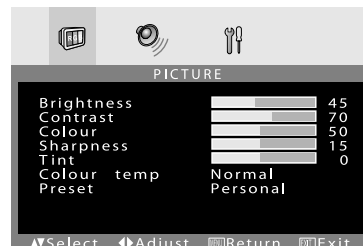
In PC mode

Use **▲** or **▼** button to select the options (**Brightness, Contrast, Frequency, Phase, H offset, V offset, Colour Temp, Preset**) and adjust them using the **◀** or **▶** buttons. (The screen will change to your desired setting).

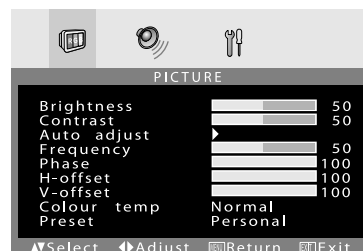
- Resolution : 1440 x 900 max
- Refresh Frequency : 60Hz
- **Brightness** : Adjust to brighten the darkest parts of the picture.
- **Contrast** : Adjust to sharpen the picture quality. The black portions of the picture become richer in darkness and the white become brighter.
- **Frequency** : Adjust the frequency of the picture.
- **Phase** : Adjust when characters have low contrast or when the image flickers.
- **H offset** : Centre the image by moving it left or right.
- **V offset** : Centre the image by moving it up or down.
- **Colour Temp** : Adjust the three colour temperature of the picture. Select Normal (balanced) / Cold (blue white) / Warm (red white) mode.
- **Preset** : Select from preset screen display settings to match the type of show you are watching (Standard, Personal, Movie, Dynamic, & Soft).



AV / YUV / HDMI mode



PC mode



TV SETUP



SOUND MENU

1. Press the **MENU** button.
2. Use ◀ or ▶ button to select the **Sound menu**, then press ▼ button to reach Preset to choose Personal.
3. Use ▲ or ▼ button to select the options (**Balance, Bass, Treble, Preset**) and adjust them using the ◀ or ▶ buttons.
4. Press the **MENU** button to return to previous menu, repeat step 3 to adjust other settings.
5. To exit the MAIN MENU and return to the normal screen, press the **EXIT** button on remote control.

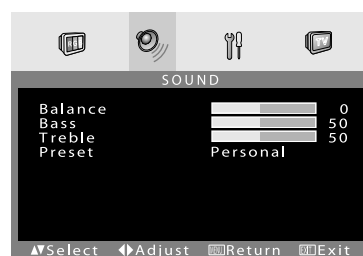
Experiment with different sound settings until you find the settings you prefer.

- **Balance** : Adjust the balance level toward the left or right speakers.
- **Bass** : Adjust the bass range.
- **Treble** : Adjust the treble range.
- **Preset** : Select from preset sound settings (Personal, Voice, Music, Theatre) to match the type of show you are watching.

Note :

You can also select simply by pressing the **SOUND** button.

TV mode



AV / YUV / HDMI / PC mode



TELETEXT

Teletext is an information system that displays text on your TV screen. Using the Teletext control buttons you can view pages of information that are listed in the teletext index.

Please Note

No on screen display is available in text mode. The contrast, brightness and colour cannot be changed but the volume control is still available.

TO ENTER TEXT MODE

Please Note

Make sure the TV channel you are watching transmits teletext. If not NO TEXT sign will be shown on the screen.

Press the **TV/TEXT** button. The text page will appear, normally the index page.

TO EXIT TEXT MODE

Press the **TV/TEXT** button, The TV will return to the channel you were watching.

TO SELECT A PAGE OF TEXT

Find the number of the page in the index and enter it using the Numeric buttons. The number of the page will appear in the top left hand corner of the screen.

The page counter will search for your page. When it finds it, the page will be displayed.

To move to the next page of text, press the **CH +** button.

To move to the previous page, press the **CH –** button.

To return to the index page, enter the "100" by using the Numeric buttons.

TIME/MIX

To view a page of the text whilst watching a TV programme press the **MIX** button. The text will be superimposed over the TV programme.

Press the **MIX** button again to return to the text page.

While watching a TV programme with Teletext transmission press **TIME** button. The current time information, captured from Teletext will be displayed on the screen.

If the programme being watched does not have Teletext transmission, no information will be displayed.

Press the **TIME** button again to cancel the time information.

PAGE SEARCH WHILST WATCHING TV

In Text mode press the **CANCEL** button. The TV will return to TV mode with current page number displayed on the top left corner of the screen.

Enter the page number you want using the Numeric buttons.

The top line of the text page will appear whilst the text searches for your page. When the page is found the number will remain in the top left hand corner of the screen.

Press the **CANCEL** button to view your selected page of text.

TELETEXT

DOUBLE HEIGHT TEXT

If you have difficulty reading the text on the TV you can double the height of the text.

Press the **SIZE** button. The top half of the page will be displayed in double height text.

Press the **SIZE** button again. The bottom half of the page will be displayed in double height text.

Press the **SIZE** button again to return to the full page.

PAGE STOP

If the page of text you have selected contains sub pages, these sub pages will automatically be displayed in order with a delay to allow you to read the page.

To stop the move to the next sub page, press the **HOLD** button. "⊞" will appear on the top left corner of the screen..

To continue moving through the sub pages, press the **HOLD** button again.

TO REVEAL INFORMATION

Press the **REVEAL** button to reveal concealed information (quiz answers etc.).

Press the **REVEAL** button again to conceal the information again.

FASTTEXT

At the bottom of the teletext screen is a row of subject headings in red, green, yellow and blue.

The remote control has a row of colour buttons corresponding to the row of coloured subjects on the screen.

Pressing one of the colour buttons will take you directly to the page corresponding to the subject heading.

CONNECTIONS

CONNECTING TO A/V DEVICES (VCR, Camcorder, Game System, etc.)

Connecting to Devices with an S-Video Output

To connect to A/V devices such as a VCR or camcorder:

– Connect to a VCR

Connect the right (red) and left (white) audio output from the VCR to the right (red) and left (white) input on this unit (Audio cable not included).

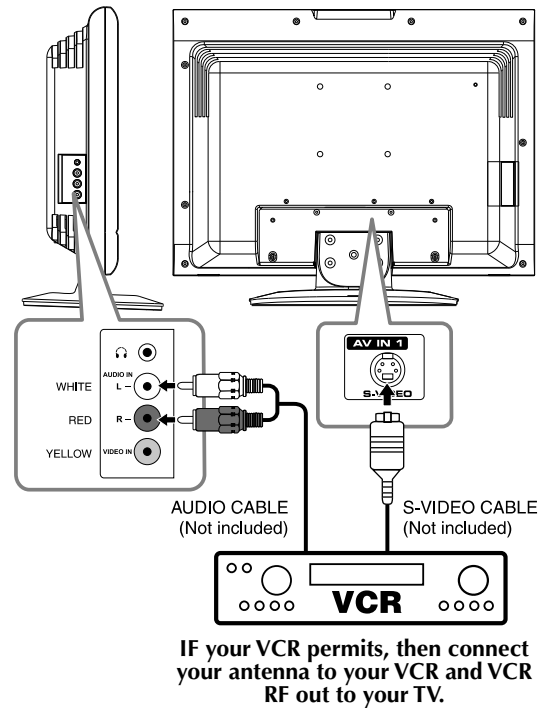
Connect the S-VIDEO output from the VCR to the S-VIDEO input on this unit (S-VIDEO cable not included).

Make sure you connect both audio and video from the same VCR to the same input (AV1).

To operate the connected device and play the VCR, first press the **FUNCTION** button or the **AV IN** button to select the AV1 mode.

Note:

Please refer to the user manual for the VCR for more information.



– Connect to a camcorder

Connect the right (red) and left (white) audio output from the camcorder to the right (red) and left (white) input on this unit (Audio cable not included).

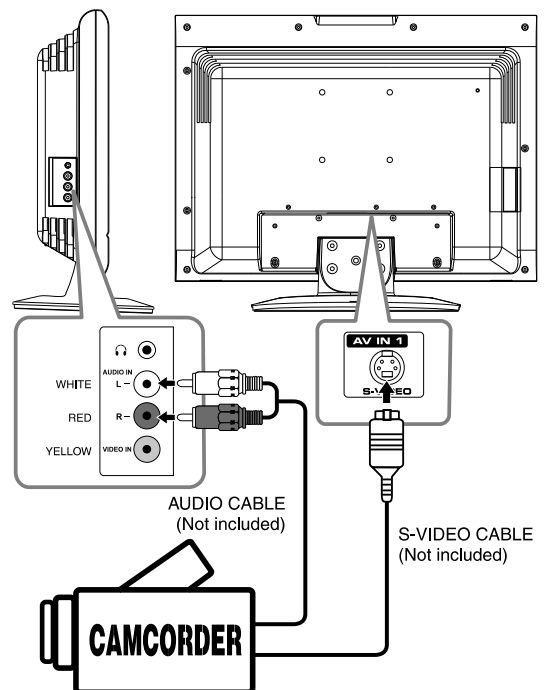
Connect the S-VIDEO output from the camcorder to the S-VIDEO input on this unit (S-VIDEO cable not included).

Make sure you connect both audio and video from the same camcorder to the same input (AV1).

To operate the connected device and play the camcorder, first press the **FUNCTION** button or the **AV IN** button to select the AV1 mode.

Note:

Please refer to the user manual for the camcorder for more information.



CONNECTIONS

Connecting to Devices with a Composite (yellow RCA-type) Video Output

To connect to A/V devices such as a VCR or camcorder:

- Connect to a VCR

Connect the right (red) and left (white) audio output from the VCR to the right (red) and left (white) input on this unit (Audio cable not included).

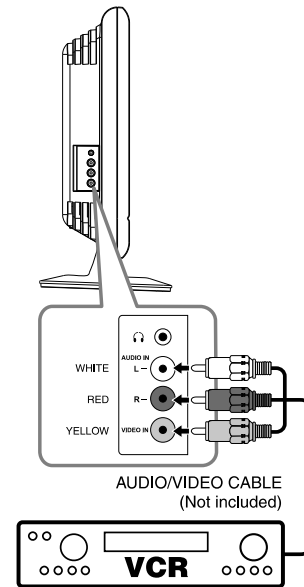
Connect the video (yellow) output from the VCR to the video input on this unit (Video cable not included).

Make sure you connect both audio and video from the same VCR to the same input (AV1).

To operate the connected device and play the VCR, first press the **FUNCTION** button or **AV IN** button to select the AV1 mode.

Note:

Please refer to the user manual for the VCR for more information.



IF your VCR permits, then connect your antenna to your VCR and VCR RF out to your TV.

- Connect to a camcorder

Connect the right (red) and left (white) audio output from the camcorder to the right (red) and left (white) input on this unit (Audio cable not included).

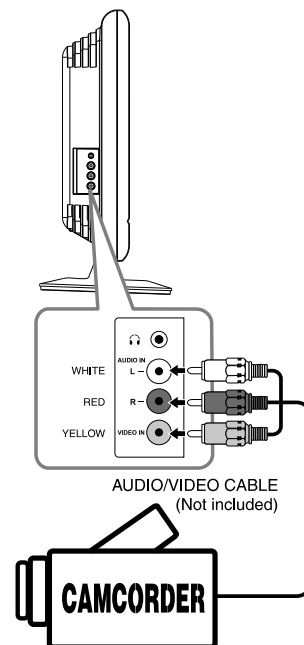
Connect the video (yellow) output from the camcorder to the video input on this unit (Video cable not included).

Make sure you connect both audio and video from the same camcorder to the same input (AV1).

To operate the connected device and play the camcorder, first press the **FUNCTION** button or **AV IN** button to select the AV1 mode.

Note:

Please refer to the user manual for the camcorder for more information.



CONNECTIONS

CONNECTING TO SOURCES WITH COMPONENT VIDEO OUTPUT (DVD - 576i, 576p, 720p & 1080i are supported)

Devices with component video output must be connected to the YUV input:

Connect the three video outputs (Y, Pb, Pr) from the source to the corresponding video inputs on this unit (Component video cable not included).

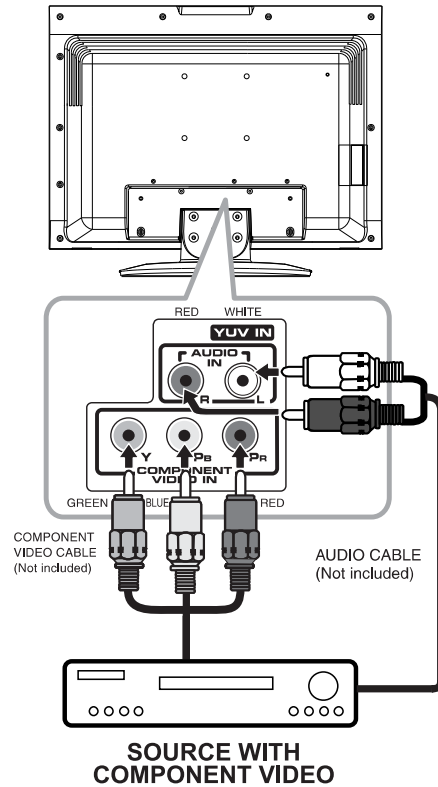
Connect the right (red) and left (white) audio output from the source to the right (red) and left (white) input on this unit (Audio cable not included).

Make sure you connect both audio and video from the same source to YUV IN.

To operate the connected device and play the source, first press the **FUNCTION** button to select the YUV mode.

Note:

Please refer to the user manual for your component video source for more information and connection details.

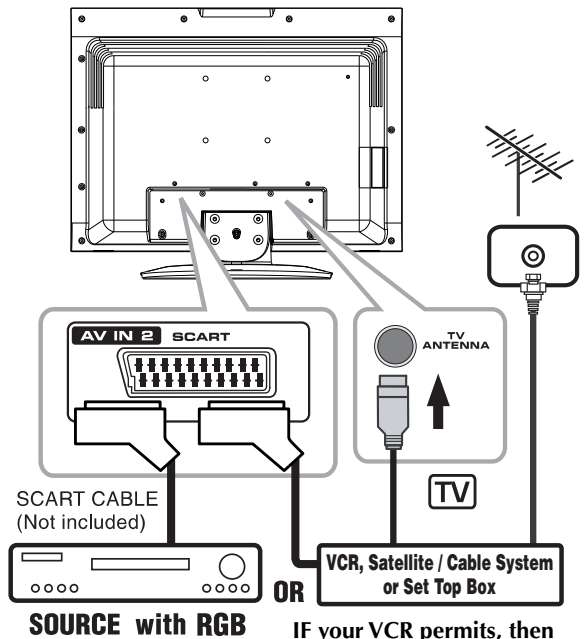


CONNECTING TO SOURCES WITH SCART

Devices with component video output must be connected to the SCART input:

Connect the SCART from the source to the corresponding SCART on this unit (SCART cable not included).

Make sure you connect both SCART to SCART. To operate the connected device and play the source, first press the **FUNCTION** button or **AV IN** button twice to select the AV2 mode.



IF your VCR permits, then connect your antenna to your VCR and VCR RF out to your TV.

CONNECTIONS

CONNECTING AN AUDIO AMPLIFIER

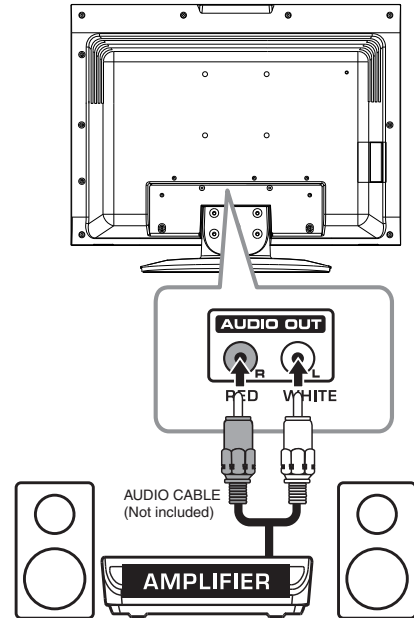
This connection allows you to use an audio amplifier and external speakers.

Connect the right (red) and left (white) audio OUTPUT from this unit to the right (red) and left (white) audio INPUT on your amplifier. Refer to your amplifier's user manual for more information.

Note:

To control the audio, both the TV and the amplifier must be turned on, and the volume of the amplifier must be set above 0, or you will not hear any sound.

If you want to hear the sound from the amplifier only. Press the **VOL -** button on the TV to decrease the volume or press the **MUTE** button on the remote control to turn off the sound.

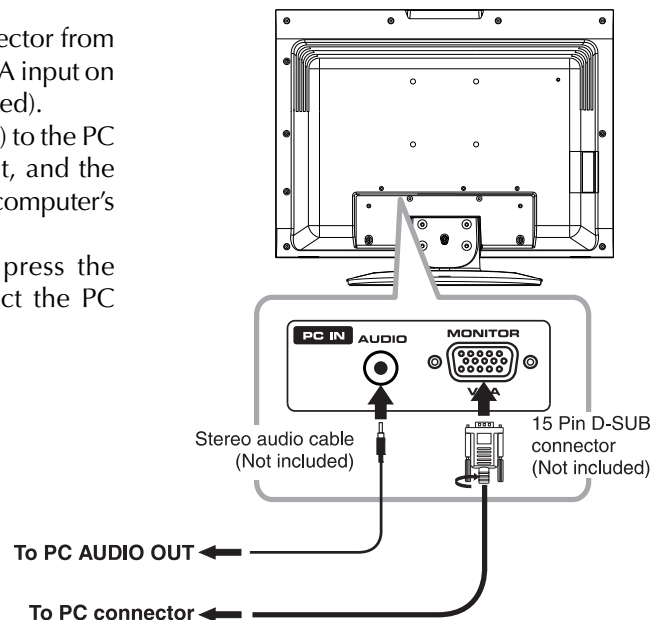


CONNECTING A PC

Connect the 15-pin D-SUB PC/VGA connector from your computer to the 15-pin D-SUB PC/VGA input on this unit using a monitor cable (not included).

Connect a stereo audio cable (not included) to the PC AUDIO IN jack on the bottom of this unit, and the other end to the AUDIO OUT jack on your computer's sound card.

To operate the connected device, first press the **FUNCTION** button or **PC** button to select the PC mode.



Note :

- If the TV is cold, there may be a small "flicker" when the set is switched on. This is normal, there is nothing wrong with your TV.
- If possible, use the VESA 1,440 x 900@60 Hz video mode to obtain the best image quality for your LCD monitor. If used under the other resolutions, some scaled or processed pictures may appear on the screen. The TV has been pre-adjusted to the mode VESA 1,440 x 900@60Hz.

CONNECTIONS

CONNECTING HDMI

HDMI (High Definition Multimedia Interface) supports both video and audio on a single digital connection for use with DVD players, DTV, set-top boxes and other digital AV devices. HDMI was developed to provide the technologies of High Bandwidth Digital Content Protection (HDCP) as well as Digital Visual Interface (DVI) in one specification. HDCP is used to protect digital content transmitted and received by DVI-compliant or HDMI-compliant displays.

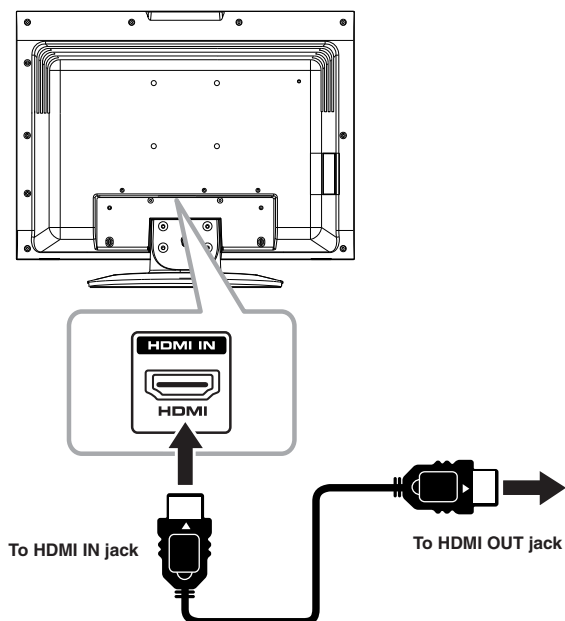
HDMI has the capability to support standard, enhanced or high-definition video plus standard to multi-channel surround-sound audio. HDMI features include uncompressed digital video, a bandwidth of up to 2.2 gigabytes per second (with HDTV signals), one connector (instead of several cables and connectors), and communication between the AV source and AV devices such as DTVs.

HDMI, the HDMI logo **HDMI** and High-Definition Multimedia Interface are trademarks or registered trademarks of HDMI licensing LLC.

Connect the HDMI cable (not included) as shown:

Make sure you connect the cable from the source equipment (**HDMI OUT**) to this unit (**HDMI IN**).

To operate the connected device and play the source, first press the **FUNCTION** button select the HDMI mode.

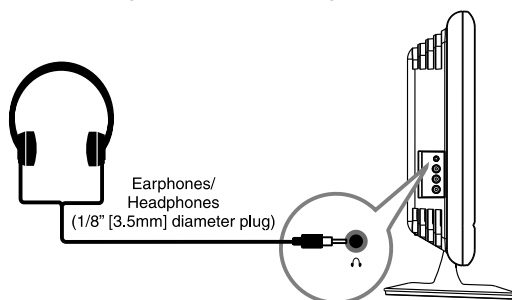


USING HEADPHONES

- Turn down the volume before connecting headphones to the unit, then adjust the volume to your desired level.
- When headphones are connected, no sound will come from the front speakers.

Note:

- Avoid listening to sound at high levels for prolonged periods of time. This may be harmful to you and may cause hearing loss.
- Excessive sound pressure from earphones and headphones can cause hearing loss.



TROUBLE SHOOTING GUIDE

SYMPTOM	CAUSE (AND REMEDY)
No power.	<ul style="list-style-type: none">• Check that the AC power cord is connected.• Turn on the unit.
The remote does not function.	<ul style="list-style-type: none">• Remove any obstacles between the remote and the unit.• Use the remote near the unit.• Point the remote at the remote sensor on the unit.• Replace the batteries in the remote with new ones.
Bad Picture (snow, multiple images, distortion, blurry)	<ul style="list-style-type: none">• Check the location of the antenna and adjust it if necessary.• Make sure the antenna cable is firmly connected.• Make sure all input cables are firmly connected.
No sound.	<ul style="list-style-type: none">• Increase the volume.• Check whether the mute function has been activated on the Remote Control.
Black and white picture.	<ul style="list-style-type: none">• Check the Picture setting within the Setup menu.• Check to make sure the program you are watching is broadcast in Colour and not Black & White.
No picture or sound.	<ul style="list-style-type: none">• Make sure the unit is plugged in and turned on.• Make sure that the TV mode is selected.• Try a new channel to check for possible station trouble.• Make sure the antenna is connected properly.• Increase the volume.• Make sure the antenna or audio/video source device is working properly.• Make sure all cables are firmly connected.• Check for local interference.
Coloured patches of picture.	<ul style="list-style-type: none">• Make sure there are no unshielded electrical devices nearby that are causing interference.• Turn the TV off for 30 minutes, then try it again.
Function key does not respond correctly.	<ul style="list-style-type: none">• Under the influence of electrostatic phenomenon, the product may malfunction and require user to power reset.• Unplug and re-plug the AC power cord.
No sound is output from the HDMI out	<ul style="list-style-type: none">• Check the connection between this unit and the HDMI out jack of other equipment.• See if the TV supports this 480p/576p/720p/1080i DVD system.• Check your TV system setup correctly.• Make sure your TV supports HDCP (High Bandwidth Digital Content Protection).