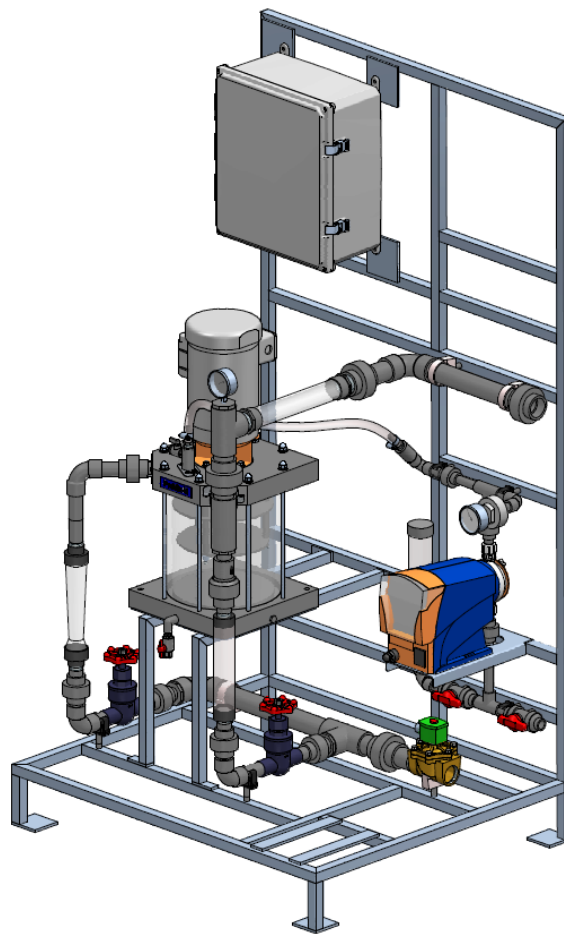


Operating Instructions ProMinent® ProMix-M (Inline Controls) Polymer Blending System



***Please completely read through these operating instructions first! Do not discard!
The warranty shall be invalidated by damage caused by operating errors!***

ProMix_MA_IOM (02/17/14): – P/N: XXXXXX

ProMinent Fluid Controls, Inc. (USA) 136 Industry Drive, Pittsburgh, PA 15275

Tel: (412) 787-2484 www.prominent.us Fax: (412) 787-0704

Table of Contents

i. Overview:	4
ii. ProMix Systems:	6
Diaphragm Pump Type DLTA (DA Series):	6
Progressive Cavity Pump Type (PA Series):	7
iii. Diaphragm Polymer Pumps used on M Models:	8
iv. Progressive Cavity Polymer Pumps used on M Models:	9
1.0 INSTALLATION & QUICK START GUIDE	10
1.1 Safety:	10
1.2 Delivery & Storage Checklist:	10
1.3 Installation Considerations:	10
1.4 Installation:	11
1.5 Quick Start Guide:	12
1.6 ProMix Options for Polymer Settings and Controller Door Switches	14
1.7 Servicing Guidelines:	15
2.0 CONTROLLER	16
2.1 Keypad Navigation	16
2.2 Main Menu	17
2.3 Adjust Setpoint	18
2.4 Modify Timing	19
2.5 Change Polymer type	21
2.6 Manually Flush Mixer	22
2.7 Status Message Summary	23
2.8 Calibrate 4-20mA Input	24
2.9 Scale the 4-20mA Input	25
2.9 Scale the 4-20mA Input (continued)	26
2.10 Response on Loss of 4-20 mA Input	27
2.11 Calibrate 4-20mA Output	28
2.12 Operation Configuration	29
2.13 Feed Verification	30
2.14 4-20mA Controls	31
2.15 Troubleshooting Guide	31
2.16 Diagnostic Display	32
3.0 SPARE PARTS & PREVENTIVE MAINTENANCE	33

ProMinent ProMix 'DA' & 'PA' Polymer Feeder

3.1 DELTA (DLTA) Pump Spare Parts.....	33
3.2 SEEPEX Pump Spare Parts	33
3.3 PVC Mixing Chamber Spare Parts.....	33
3.4 Piping Components Spare Parts.....	34
3.5 Control Panel Spare Parts	34
3.6 Maintenance and Lubrication Schedule	35
Appendix A – DA & PA Series Bill of Material	38
Mechanical & Electrical List	38
Appendix B – Control Panel “A Controls”	44
B.1 Controller Board Layout.....	44
B.2 Controller Wiring (DA/PA Series).....	46
B.3 4-20 mA Input Scaling	53
Appendix C – Polymer Sizing / Dosage.....	54
Appendix D – Reference Documents	55
Appendix E - Keypad Menu Overview.....	57

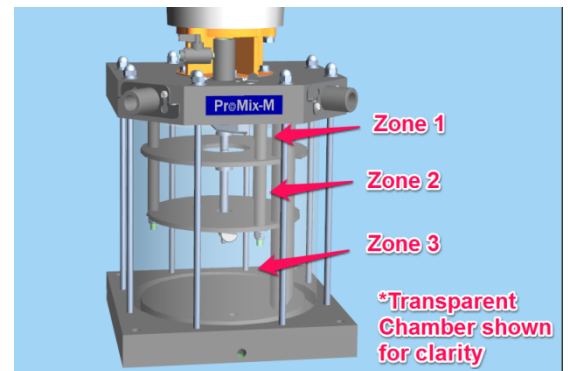
ProMinent ProMix 'DA' & 'PA' Polymer Feeder

i. Overview:

The ProMix M Polymer Feeder is a skid system designed to control feed water and polymer and combine them to produce a high quality solution. The system is designed to receive liquid neat polymer while mixing it with feed water to produce and discharge a quality solution from the system.

Research in the science of polymer activation indicates that the activation energy must decrease as the polymeric chain is uncoiled to prevent rupture and hence decrease the performance of the product.

The mixing of the Polymer Feeder is accomplished mechanically with three distinct mixing zones separated by baffles. The first zone consists of a fast mixing blade that delivers high shear at the precise point of polymer injection, creating and immediate dispersion before agglomeration takes place. The second zone mixing blade induces a vortex and draws solution down through the center of the chamber from zone one and forces the solution outward to the sides and then down into zone 3. Finally, the third zone mixing blade gently agitates/blends the active polymer solution before it exits the chamber through the bottom of the discharge tube.



The ProMix M Polymer Feeder controller permits several operation options using the 'A' controller . These options and their respective configurations are selected using various combinations of the controller door switch positions and polymer type selections. The controller allows the polymer pump speed to be selected either locally (keypad) or remotely (4-20 mA signal) from 0 to 100%. The polymer dosage rate must be calculated and the pump adjusted for the desired ratio concentration of polymer to dilution water leaving the feeder by volume. Different maximum concentrations are possible based upon the type of polymer. Emulsion polymers should be limited to 1% concentration in the mixing chamber and Mannich polymers should not exceed 10%. These polymer types are selectable from the keypad menu.

The System Start switch on the controller door has three positions ON-OFF-REMOTE. ON enables the controller locally and REMOTE enables the controller via a customer supplied dry contact. The Polymer Pump switch has two positions LOCAL-REMOTE. If the pump speed is to be selected using the keypad on the controller door then the Polymer Pump switch should be moved to the LOCAL position. When the pump is to be controlled via a remote 4-20 mA signal then REMOTE should be selected.

ProMinent ProMix 'DA' & 'PA' Polymer Feeder

Placing the System Start switch in the OFF position after having first been in either of the other two positions will initiate a flush cycle before shutting down. The Polymer Pump switch on the controller front door has two positions to choose the source of the pump control signal. In the LOCAL position the controller uses the keypad entry for polymer pump speed. In the REMOTE position the user generated 4-20 mA signal represents 0 – 100% pump speed. The user must manually adjust the primary and post dilution valves for the desired dilution water flow rate and must calculate the required pump speed to attain the desired concentration. Rotameters are provided to monitor the dilution water flow rates.

The design incorporates an electric solenoid valve (water inlet), flow meter/switch, manually adjustable rotameters for primary and post dilution flow, peristaltic neat polymer pumps, microprocessor based controller, manual ball valves, pump calibration column, PVC piping and components, and polymer mixing chamber mounted on a skid to facilitate proper mixing and delivery.

ProMinent ProMix 'DA' & 'PA' Polymer Feeder

ii. ProMix Systems:

Diaphragm Pump Type DLTA (DA Series):

PART NUMBER	MODEL	PUMP TYPE	MAX CAPACITY
1048367	300X2-2.3DA	Delta 1020-120	2.3 GPH
1048368	600X2-3.8DA	Delta 1020-200	3.84 GPH
1048369	600X2-6.2DA	Delta 0730-200	6.16 GPH
1048370	600X2-10.3DA	Delta 0450-200	10.3 GPH
1048371	1200X2-6.2DA	Delta 0730-200	6.16 GPH
1048372	1200X2-10.3DA	Delta 0450-200	10.3 GPH
1048373	1500X2-6.2DA	Delta 0730-200	6.16 GPH
1048374	1500X2-10.3DA	Delta 0450-200	10.3 GPH

*****Refer to Appendix C for proper sizing*****

Overall Skid Dimensions 72”H x 40”W x 34”D
 Overall Weight of Skid 220 lbs
 Power Requirements 120VAC, 60Hz, 1 Phase, 20 Amp
 Volume of Mixing Chamber 3.2 Gallons
 Maximum Rated Chamber Pressure 150 PSIG
 Normal Operating Pressure 58 PSIG to 100 PSIG (Depends on Pump Selected)
 Recommended Running Temperature +50°F to 100°F
 Water Connection Size 1-1/2” FNPT
 Solution Discharge Connection Size 1-1/2” FNPT

ProMinent ProMix 'DA' & 'PA' Polymer Feeder

Progressive Cavity Pump Type (PA Series):

PART NUMBER	MODEL	PUMP TYPE	MAX CAPACITY
1048375	300X2-5.0PA	Seepex MD	5.0 GPH
1048376	600X2-5.0PA	Seepex MD	5.0 GPH
1048377	600X2-10.0PA	Seepex MD	10.0 GPH
1048378	1200X2-10.0PA	Seepex MD	10.0 GPH
1048379	1200X2-24.0PA	Seepex MD	24.0 GPH
1048380	1500X2-10.0PA	Seepex MD	10.0 GPH
1048381	1500X2-24.0PA	Seepex MD	24.0 GPH

*****Refer to Appendix C for proper sizing*****

Overall Skid Dimensions..... 72”H x 40”W x 34”D
 Overall Weight of Skid 250 lbs.
 Power Requirements 220VAC, 60Hz, 1 Phase, 20 Amp
 Volume of Mixing Chamber 3.2 Gallons
 Maximum Rated Chamber Pressure 150 PSIG
 Normal Operating Pressure 58 PSIG to 100 PSIG (Depends on Pump Selected)
 Recommended Running Temperature +50°F to 100°F
 Water Connection Size 1-1/2” FNPT
 Solution Discharge Connection Size 1-1/2” FNPT

ProMinent ProMix 'DA' & 'PA' Polymer Feeder

iii. Diaphragm Polymer Pumps used on M Models:

Series	Identification Code	Factory Default Mode	SPM Max	Flowrate (GPH)		Pressure (PSIG)
				Min @ 100% Stroke	Max @ 100% Stroke	
DLTA	DLTA1020PVT4600UD4031EN0	HV2	120	0.019	2.3	145
DLTA	DLTA1020PVT4600UD4031EN0	Standard	200	0.019	3.84	145
DLTA	DLTA0730PVT4600UD4031EN0	Standard	200	0.031	6.16	102
DLTA	DLTA0450PVT4600UD4031EN0	Standard	200	0.11	10.32	58

Notes:

1. ProMinent - Delta Solenoid Driven Metering Pump
2. Original Pump GPH rating is derated 20% due to Polymer viscosity. The actual deration may vary depending on the polymer used
3. Control Modes Available *
 - a. Standard – 200 spm: 0-50 cp
 - b. HV1 (slightly reduced discharge speed) – 180 spm: 50-200 cp
 - c. HV2 (moderately reduced discharge speed) – 120 spm: 200-500 cp
 - d. HV3 (maximum reduced discharge speed)– 80 spm: 500-1000 cp
4. Connections: ½" x 3/8" or DN10 Depending on Model Selected
5. Power Requirements: 115VAC, 60 Hz, Single Phase

* Viscosity values are approximate and can vary widely per specific application. Use these values as a guideline only and consult the factory for specific application capabilities

ProMinent ProMix 'DA' & 'PA' Polymer Feeder

iv. Progressive Cavity Polymer Pumps used on M Models:

Series	Identification Code	SPM Max	Flowrate (GPH)		Pressure (PSIG)
			Min	Max	
MD	MD 003-12 / A6-A7-A7-H0-GA-X			2.3	100
MD	MD 006-12 / A6-A7-A7-H0-GA-X			3.84	100
MD	MD 012-12 / A6-A7-A7-H0-GA-X			6.16	100

Notes:

1. Seepex Progressive Cavity Metering Pump
2. Original Pump GPH rating is derated due to Polymer viscosity. The actual deration may vary depending on the polymer used
3. Power Requirements: 220VAC, 60 Hz, Single Phase

* Viscosity values are approximate and can vary widely per specific application. Use these values as a guideline only and consult the factory for specific application capabilities

1.0 INSTALLATION & QUICK START GUIDE

1.1 Safety:

Utilize appropriate protective safety gear when operating or maintaining this equipment. Recommended safety gear is as follows:

Personal Protective Equipment (PPE):

- Hard Hats (Where overhead hazards exist)
- Safety Glasses with side shields
- PVC Apron
- PVC Gloves
- Safety-Toed Work Boots

1.2 Delivery & Storage Checklist:

1. Check packing list for completeness and note any missing items immediately.
2. Inspect equipment and shipping container for damages before accepting delivery. Make note on the carrier's bill-of-lading the extent of the damage, if any, and notify the carrier.
3. Store the equipment on firm level surface in original packing container. Do not store the equipment where it may be exposed to extreme temperatures, precipitation, humidity, or dust. Avoid direct sunlight that could overheat and damage equipment.

Ambient Conditions for storage and transport:

Temperature: 14°F to 120°F

Air Humidity: ≤ 92% relative humidity, non-condensing

1.3 Installation Considerations:

- Required Polymer System Voltage
- Available Water Pressure
- Injection Point Pressure
- Number of Injection Points
- Polymer Solution Discharge: For example (Length of Piping Run and Pipe Size)
- Neat Polymer Suction: Flooded or Lift
- Type of Application / Dewatering Device
- Type of Polymer: Emulsion, Dispersion, Solution

ProMinent ProMix 'DA' & 'PA' Polymer Feeder

1.4 Installation:

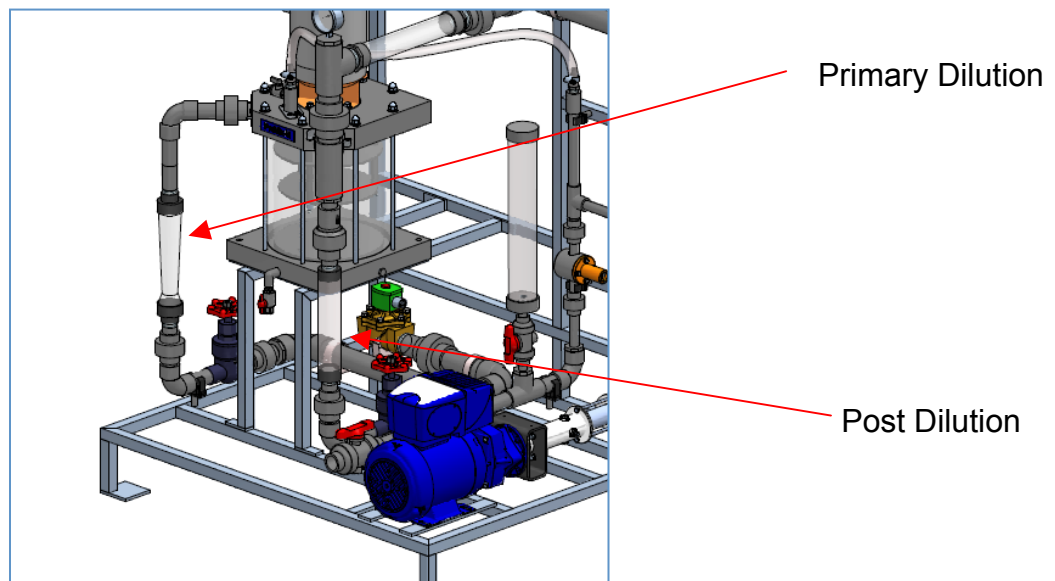
1. Unpack and position equipment on sturdy level surface. Fasten to prevent movement.
2. Do not install equipment in areas of extreme heat, cold, dust or humidity. Avoid areas where objects or fluids can drop from overhead.
3. Units are to be installed as close to the point of application as possible.
4. Inlet pressure is not to exceed 100 psig working pressure.
5. System pressure at the discharge is not to exceed 80% of inlet pressure.
6. Piping Internal to the System:
 - a. Inspect the piping for breakage. The system may have been jarred during shipping.
 - b. Check the tightness on all unions. Hand tighten only – no tools. Unions incorporate an o-ring seal. Ensure that the o-ring is seated properly prior to tightening.
7. Piping External to the System (*Reference Appendix A for connection location*):
 - a. Install piping so that connections properly meet system termination points. Do not “stretch” field installed piping to meet system termination points. Stressed piping will fail!
 - b. Piping should be at a minimum $\frac{3}{4}$ ” to and from the piping on the system. 1” or larger piping is recommended. Larger piping sizes would be required for runs over 100 feet in length if utilizing $\frac{3}{4}$ ” pipe.
 - c. Avoid getting dirt and debris inside the piping during installation. Plug ends of piping with rags if construction activities are underway. All debris must be flushed from piping before system start-up.
 - d. Connect to outlet piping 1-1/2” FNPT from static mixer to associated customer application point.
 - e. Connect to make-up water inlet piping 1-1/2” FNPT (25 GPM maximum at 100 psig maximum).
 - f. Connect to Neat Polymer pump inlet piping $\frac{1}{2}$ ” FNPT (DLTA Models) & 1” FNPT (Seepex Models). Flooded Suction ONLY for Seepex PC pump.
 - g. Install 1-1/2” pressure regulator and 1-1/2” y-strainer / basket strainer on the clean make-up water line if equipment is currently not installed. (Recommended). Sizing depends on inlet/outlet piping.
 - h. Allow provisions for draining the system piping. Skid components will require maintenance. Ensure that chemicals can be evacuated from the skid piping and components for servicing.
8. Electrical Supply Needed for the System:
 - a. Note: Review local Electrical Code and follow accordingly.
 - b. Connect incoming power to skid mounted control panel (*120VAC, Single Phase, 20 Amp, 60 Hz*). Ensure panel is properly grounded.
 - c. Check electrical connections to be sure proper voltage is supplied to the system.
 - d. Power the unit using a dedicated, separate breaker in the local lighting distribution panel.
 - e. Do not route the AC power in common conduit with variable frequency pump drives.
 - f. Do not put conduit entries in the top of the control panel. Resulting conduit condensation and failure to seal may damage controller circuit boards.
9. The Overload relay should be set to the Motor Nameplate Full Load Amps. Setting this to a higher value will result in possible damage to the motor and associated wiring. Overload conditions should be investigated and possible process changes may need to be made to prevent overload conditions.

ProMinent ProMix 'DA' & 'PA' Polymer Feeder

10. Connect Digital Remote Start Functions (note wiring termination points in Appendix B) for polymer tank level and remote start permissive. Default jumpers should remain in place for any input not available.
11. Refer to the Delta or Seepex pump manual (Reference Document) for pump operation.

1.5 Quick Start Guide:

1. Review installation portion (Section 1.4) of the manual.
2. Open ball valve on the suction of the pump to allow chemical to flow into the system by gravity. If the application is suction lift then ensure liquid is present in pump suction.
3. Start up pumps at 100% stroke length and frequency to purge all air and prime the system. To prime the DLTA pump press and hold the UP/DOWN Arrows on the keypad until chemical is visible in the suction line. The Seepex pump must have a flooded suction.
4. Verify motor rotation on Mixing Chamber motor. Normal rotation is CCW.
5. Do not run the mixing chamber motor dry. Damage to the mechanical seal could occur.
6. Close the Secondary flow control valve and adjust the Primary flow control valve to obtain the flow range required. If additional dilution water is needed adjust the secondary accordingly.



7. Verify that the maximum polymer injection pump pressure is higher than the system pressure.
8. Perform pump calibration using drawdown calibration cylinder. See section 2.12.
9. Check flow calibration and be sure pump meets or exceeds the rated flow capacity. Check flows at 100% capacity.
10. In System Start ON and Polymer Pump LOCAL switch positions the neat polymer pump speed is adjusted manually using the controller keypad to change the pump rate from 0 to 100% of the pump rated output.
11. In System Start ON and Polymer Pump REMOTE switch positions the controller receives a remote customer supplied analog 4-20 mA signal to adjust the desired pump speed from 0 to 100% of the pump rated output. This remote 4-20 mA signal can be scaled at the controller to enhance the resolution of the pump output control and bias the pump response

ProMinent ProMix 'DA' & 'PA' Polymer Feeder

to the remote signal. A remote start permissive is optional – if used then System Start switch should be in the REMOTE position.

12. Confirm proper operation of all instrumentation. For example: Gauge, Rotameter switch, etc.
13. Input functions checked and simulated (remote start/stop, 4-20mA, etc.).
14. Output functions checked.
15. Test the operation of all remaining circuits.
16. Observe system to assure that nothing looks or sounds abnormal.

ProMinent ProMix 'DA' & 'PA' Polymer Feeder

1.6 ProMix Options for Polymer Settings and Controller Door Switches

Begin by first selecting type of polymer (Emulsion or Mannich) see section 2.5.

Emulsion or Mannich The type of polymer being used by the ProMix feeder is selected. If emulsion then a maximum of 1.0% concentration is permitted in the mixing chamber. If Mannich is selected then the maximum is 10.0% concentration.

After setting polymer type, manually adjust the two door switches, 'System Start' and 'Polymer Pump' for the desired operating conditions:

System Start door switch

Permits use of remote contact to enable system operation in REMOTE position.

Polymer Pump door switch

Determines the setpoint for pump control action which can be from the keypad entry in LOCAL or from a 4-20 mA signal in REMOTE.

Mannich polymer door switch options

System Start ON-OFF-REMOTE controller door switch	Polymer Pump LOCAL-REMOTE controller door switch	PROMIX OPERATION
ON	LOCAL	Remote Start Contact: N/A Keypad Local Setpoint: 0 – 100 % pump speed Remote Setpoint: N/A Max. chamber concentration: 10.0%
ON	REMOTE	Remote Start Contact: N/A Keypad Local Setpoint: N/A Remote Setpoint: 4-20 mA = 0-100% pump speed Max. chamber concentration: 10.0%
REMOTE	LOCAL	Remote Start Contact: Close=start, open=stop Keypad Local Setpoint: 0 – 100% pump speed Remote Setpoint: N/A Max. chamber concentration: 10.0%
REMOTE	REMOTE	Remote Start Contact: Close=start, open=stop Keypad Local Setpoint: N/A Remote Setpoint: 4-20 mA = 0-100% pump speed Max. chamber concentration: 10.0%

ProMinent ProMix 'DA' & 'PA' Polymer Feeder

Emulsion polymer door switch options

System Start ON-OFF-REMOTE controller door switch	Polymer Pump LOCAL-REMOTE controller door switch	PROMIX OPERATION
ON	LOCAL	Remote Start Contact: N/A Keypad Local Setpoint: 0 – 100% pump speed Remote Setpoint: N/A Max. chamber concentration: 1.0%
ON	REMOTE	Remote Start Contact: N/A Keypad Local Setpoint: N/A Remote Setpoint: 4-20 mA = 0 –100% pump speed Max. chamber concentration: 1.0%
REMOTE	LOCAL	Remote Start Contact: Close=start, open=stop Keypad Local Setpoint: 0 – 100% pump speed Remote Setpoint: N/A Max. chamber concentration: 1.0%
REMOTE	REMOTE	Remote Start Contact: Close=start, open=stop Keypad Local Setpoint: N/A Remote Setpoint: 4-20 mA = 0–100% pump speed Max. chamber concentration: 1.0%

1.7 Servicing Guidelines:

- Disconnect electrical power to the equipment prior to servicing.
- Relieve all pressure from the unit prior to servicing.
- Close all suction and discharge valves.
- Verify dilution water is closed.
- Drain chemical/water from unit prior to disassembly.
- Maintain protective covers over all moving parts.
- Keep body parts, hair and foreign objects from contact with moving parts.
- Do not allow grease or oil to be used or stored around the feed equipment or chemicals.
- Review the Material Safety Data Sheets of the Polymer utilized and observe appropriate safety measures.
- Mineral Oil can be utilized to aid in the polymer cleaning process.

Ensure all operating & maintenance personnel are instructed regarding the contents of this manual.

ProMinent ProMix 'DA' & 'PA' Polymer Feeder

2.0 CONTROLLER

2.1 Keypad Navigation

The ProMinent ProMix M Polymer Feeder uses a fixed configuration to deliver the operation required to operate the feeder. The main board is not interchangeable with other ProMinent controller hardware.

The top line of the main menu displays the current feeder state on power ON

Press **EXIT** during any main menu display & you'll return to the top of the menu & the current feeder state.

The other main menu displays show information you'll need to set & adjust feed rate and to verify flowswitch, 4-20mA in & out...

UP & **DOWN** to view options or to EDIT numbers



Move **RIGHT** to select next field when EDITing



ENTER to select an option & to execute EDITing



EXIT to escape option, info display or EDITing
EXIT goes to top of **Main Menu**



ProMinent ProMix 'DA' & 'PA' Polymer Feeder

2.2 Main Menu

This is the power ON, top of the menu display.

Press **EXIT** at any display to return here.

Displays the **Polymer** feed rate 0-100% and the current state of the feeder. See 1.6 for complete state table.

Polymer 38.6% ←
Auto RUN ↕



Displays the **Polymer Pump** feed rate 0-100% and the controlling 4-20mA current level,

Polymer Pump ←
ON 38% 10.1mA ↕



Press **ENTER** @ **Polymer Pump** to view-adjust the Manual Setpoint & Calibrate the 4-20mA controlling the pump.

Mixer ←
ON 49.1 Mins ↕

Mixer ON time resets to zero every time the **Mixer** turns OFF.

Alternates every second

Press **ENTER** during **Auto RUN** or **Manual RUN** to turn OFF the **Polymer Pump** and flush the mixer.

Mixer ←
Flush on ENTER ↕



The **Remote Setpoint** 4-20mA current loop controls the **Polymer Pump** in **Remote RUN** mode.

Remote Setpoint ←
38% 10.1mA ↕

Press **ENTER** to calibrate.



Flowswitch ON time resets to zero every time the **Flowswitch** turns OFF.

After 24 hours displays **>1Day**.

Flowswitch
ON 3.45 Hrs ↕



The **Remote Start** contacts must be closed for the polymer feeder to run.

Remote Start time resets to zero every time the contact set opens.

Remote Start
ON 1.36hrs ↕



We're now back at the top of the main menu.

Polymer 38.6% ←
Remote RUN ↕

Sidebar:

Press **ENTER** at **Polymer** to view and adjust feeder **Fill, Flush & Wait-for-Flow** timing.

Press **ENTER** & **UP** at **Polymer** to view feeder **Diagnostics**. Refer to 2.17 for **Diagnostic** displays.

ProMinent ProMix 'DA' & 'PA' Polymer Feeder

2.3 Adjust Setpoint

Press **ENTER** @ **Polymer Pump** to view or adjust the **Local Setpoint**.

Local Setpoint may be adjusted at any time if Polymer Pump switch is set to Local mode.

The present **Local Setpoint** is **25.0%**. Press **ENTER** to adjust.

Key **RIGHT** to move the cursor & **UP** or **DOWN** to change the digit. Key **EXIT** to abandon or **ENTER** to execute.

Displays new, adjusted **Local Setpoint**. Press **EXIT** to return to main menu.

If the Polymer Pump switch is in the **Local** position, any adjustment takes effect immediately, modifying the 4-20mA output to the pump.

Adjust Local Setpoint

PoLymer Pump ←↵
ON 38% 10.1mA ↕



Local Setpoint ←↵
25.0% ↕



Edit & ENTER →↵
32.4% →↕



then



Local Setpoint ←↵
32.4% ↓

Sidebar:

Local Setpoint only controls the polymer pump when the Polymer Pump switch is @ Local.

If the **Local Setpoint** is @ 25% the 4-20mA current output loop will be at 8mA ($4\text{mA} + 0.25 \times 16\text{mA} = 8\text{mA}$).

Remote Setpoint only controls the polymer pump when the Polymer Pump switch is @ Remote. The polymer pump speed is then controlled by the remote 4-20 mA signal.

ProMinent ProMix 'DA' & 'PA' Polymer Feeder

2.4 Modify Timing

Press **ENTER** @ **Polymer**

to view or adjust the feeder timing.

Fill Time is the time that the feeder waits to fill the feeder prior to turning on the **PolymerFeed** pump. This protects the mechanical seal of the mixer motor shaft by keeping it wet. Minimum time is 30 seconds for the first fill only. Thereafter this step is skipped if operation pauses unless electrical power to the controller is cycled. Key **ENTER** to modify.

Flush Time is the time water flows after initiation of a Flush Cycle. This is a maintenance feature and can be manually initiated by (1) placing the controller door System Start Switch in the OFF position for more than 2 seconds or (2) by opening the remote start contact for longer than 2 seconds or (3) by using the keypad menu. Key **ENTER** to modify time.

Wait for Flow may be adjusted to any time from 1 to 30 seconds. Press **ENTER** to adjust.

Diagnostics displays the input current loop power voltage.

Press **ENTER** to view diagnostic data set.

Refer to 2.17 for detail.

View Timing

Polymer 38.6% ←
Auto RUN ↕

←

Fill Time ←
30 Seconds ↓

↓ ↑ or ←

Flush Time ←
60 Seconds ↓

↓ ↑ or ←

Wait for Flow ←
5 Seconds ↓

↓ ↑ or ←

Diagnostics ←
23.9 VDC ↓

Sidebar:

Wait for Flow: Water inlet solenoid open, ON. Mixer and Polymer Pump both OFF.

Factory default = 5 seconds.

The 4-20mA current loop control input may be powered by the site control system or by the ProMix M 24VDC power supply.

ProMinent ProMix 'DA' & 'PA' Polymer Feeder

Press **ENTER** @ **Polymer**
to view or adjust the **Fill Time**, **Flush time**
or **Wait for Flow** time.

All three times are adjusted in the same way.
In this example we'll press **ENTER** @ **Fill Time**.

Key **RIGHT** to move the cursor &
UP or **DOWN** to change the digit.
Key **EXIT** to abandon or **ENTER** to execute.

Displays new, adjusted **Fill Time**.
Press **EXIT** to return to main menu.

If you **ENTER** a time less than 1 second,
the **Fill Time** will be set to 1 second.

If you **ENTER** a time greater than 60 seconds,
the **Fill Time** will be set to 60 seconds.

Adjust Timing

Polymer 38.7% ←↵
Auto RUN ↓↕



Fill Time ←↵
30 Seconds ↓



Edit & ENTER
45 Seconds →↕



then



Fill Time ←↵
45 Seconds ↓

Low Limit response

Fill Time ←↵
1 Seconds ↓

High Limit response

Fill Time ←↵
60 Seconds ↓

Sidebar:

Fill Time: Minimum = 1 second, Maximum = 60 seconds.

Factory default = 30 seconds.

Flush Time: Minimum = 1 second, Maximum = 120 seconds.

Factory default = 60 seconds.

Wait for Flow: Minimum = 1 second, Maximum = 30 seconds.

Factory default = 5 seconds.

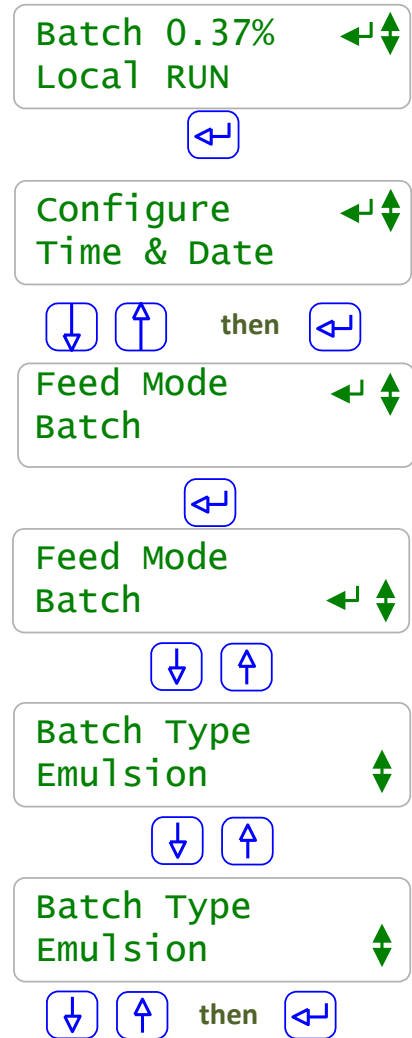
ProMinent ProMix 'DA' & 'PA' Polymer Feeder

2.5 Change Polymer type

Top of Main Menu. Displays current feeder state.
Key **ENTER** @ to view & adjust System settings
You can always key **EXIT** until you get to this screen

Key **ENTER** @ **Configure** and use **DOWN** key to access **Feed Mode**.

Key **DOWN** to **Batch Type** and Key **ENTER**. View-adjust the **Batch Type** to either **Emulsion** or **Mannich**. Key **ENTER** when the desired polymer type is displayed.



ProMinent ProMix 'DA' & 'PA' Polymer Feeder

2.6 Manually Flush Mixer

Press **ENTER** @ **Mixer**

When the **Mixer ON** time display is alternating with the **Flush on ENTER** display.

The polymer feed pump will turn OFF. The Mixer & water inlet solenoid will remain ON while the alternating **Mixer** display counts down the flush period.

At the end of the Flush period the ProMix M will return to the Remote RUN or Local RUN state unless the user:

1. Sets the ON-OFF-REMOTE switch to OFF.
2. Shuts off the feeder inlet water.
3. Opens the Remote Start contacts.

Flush Mixer

Mixer
ON 49.1 Mins ↕

Alternates every second

Mixer ↵
Flush on ENTER ↕



Mixer
ON 50.8 Mins ↕

Alternates every second

Mixer ↵
Flush 26sec ↕

Sidebar:

Flush Time: Minimum = 1 second, Maximum = 120 seconds.

Factory default = 60 seconds.

ProMinent ProMix 'DA' & 'PA' Polymer Feeder

2.7 Status Message Summary

LCD Displays	Feeder State
Offline STOP	Feeder powered. On-Off-Remote switch at Off.
Lin<4mA, Fault	Local-Remote switch at Remote and 4-20mA input less than 4 mA. Exits on 4-20mA \geq 4 mA or On-Off-Remote = Off or On
Flow Check	Waits user set seconds for Flowswitch contact set closed after Filling Mixer. Exits on flowswitch closed or On-Off-Remote = Off
No Water STOP	Exits on flowswitch closed or On-Off-Remote = Off
Filling Mixer	Inlet Solenoid ON & Mixer OFF. Waits user set seconds to fill mixer. Exits on On-Off-Remote = Off
No Ext.Run STOP	Polymer Pump, Mixer and Solenoid OFF Exits on Remote Start contacts closed or On-Off-Remote = Off
Flushing Mixer	Solenoid & Mixer ON. Polymer pump OFF. Exits on flush time expired or No flow or On-Off-Remote = Off
Flush Fail STOP	No Flow measured while flushing. Exits on flush time expired or flow measured or On-Off-Remote = Off
Remote RUN	Polymer pump @ 4-20mA input controlled setpoint. Exits on no flow, control < 0%, flush, Remote Start open, or On-Off-Remote = Off or Local.
Local RUN	Polymer pump @ user setpoint. Exits on no flow, flush, Remote Start open or On-Off-Remote = Remote or Off.
Flushed, Stopped Press ↵ to Run	Flush ends. Polymer Pump, Mixer and Solenoid OFF Any key press restarts.

Sidebar:

Flow Check: The flowswitch monitors dilution water flow into the mixer chamber.

Filling Mixer: The mixer chamber is filled once after every power ON.

If you drain the mixer, switch the power OFF then ON to re-fill the mixer chamber.

ProMinent ProMix 'DA' & 'PA' Polymer Feeder

2.8 Calibrate 4-20mA Input

Press **ENTER** @ **4-20 mA Input** to calibrate the 4-20mA current loop input from the site's control system

4-20 mA Input may be calibrated at any time in Remote or Local mode.

The present **4-20 mA Input** is **38.7%**. Press **ENTER** to calibrate.

Key **RIGHT** to move the cursor & **UP** or **DOWN** to change the digit.
Key **EXIT** to abandon or **ENTER** to execute.

Displays new, adjusted **Remote Setpoint**. Press **EXIT** to return to main menu.

If the Local-Remote switch is in the Remote position, any adjustment takes effect immediately and modifies the 4-20mA output to the polymer pump.

Calibrate 4-20mA In

Remote Setpoint ←
38% 10.1mA ↕



Calibrate Iin ←
38.7%



Edit & ENTER
36.9% →↕



Calibrate Iin ←
36.9% ↓

Sidebar:

'**Calibrate Iin**' matches the % display on the polymer feeder with the remote operator's % display.

The underlying 4-20mA level is of less importance than having both of the % displays

(the feeder's & the remote operator's) match because the Polymer feed pump operates from OFF at 0% to maximum ON at 100%.

It's simpler to calibrate on a % instead of calibrating on a current and making a non-intuitive 4-20mA loop to 0-100% conversion.

So you don't need to know that a 32.4% feed corresponds to a current loop @ 9.18 mA. The factory default scales the 4-20 mA input for 4mA = 0% Pump to 20 mA = 100% Pump. See Section 2.2 if your site's 4-20 mA input is not scaled 4-20 mA = 0 to 100%

ProMinent ProMix 'DA' & 'PA' Polymer Feeder

2.9 Scale the 4-20mA Input

Press **ENTER** @ **4-20 mA Input** to navigate the input current loop sub-menu

See the previous page for calibrating the 4-20 mA input loop

Press **DOWN** to view the present 4 mA pump feed percentage.

The factory default is as displayed. When the 4-20 mA input is at 4.0 mA the pump will be OFF.

Press **DOWN** to view the present 20 mA pump feed percentage.

The factory default is as displayed. When the 4-20 mA input is at 20.0 mA the pump will be 100%.

Press **DOWN** to view the response when the input current loop is less than 4.0 mA.

The factory default is as displayed. When the 4-20 mA input is less than 4.0 mA the pump will be OFF.

Press **ENTER** at any of the four sub-menu displays to modify the present setting.

Press **EXIT** to leave unchanged.

4-20mA input sub Menu

4-20mA Input 38% 10.1mA

Calibrate Iin 38.7%

Scale Iin @4mA 4.0mA = 0%

Scale Iin @20mA 20.0mA = 100%

Iin Fail State Pump OFF

Sidebar:

Calibration of the 4-20 mA input ensures that the measured value of the 4-20 mA Input is displayed as the correct mA level.

Scaling the 4-20 mA input is required when you do not want 4-20 mA to correspond to a 0-100% polymer feed rate.

Selecting a different response than Pump OFF on loss of the 4-20 mA input allows for a wider range of site operational configurations & control loop reliability.

ProMinent ProMix 'DA' & 'PA' Polymer Feeder

2.9 Scale the 4-20mA Input (continued)

Press **ENTER** @ **4-20mA Input** to calibrate the 4-20mA current loop input from the site's control system.

Press **UP** or **DOWN** to the **Scale lin @20mA** display & then press **ENTER**.

Press **RIGHT** to move the underline cursor & **UP** or **DOWN** to modify the value @ the cursor. Press **EXIT** to leave the present setting unchanged.

You can modify either or both of the mA level and the resulting pump feed %. Press **ENTER** when finished editing.

Displays new, adjusted **Scale lin @20mA**
Press **EXIT** to return to main menu.

Scale lin @4mA is modified in the same way.

Modify mA @ 100% ON

4-20 mA Input ←
38% 10.1mA ↓

← and ↓ ↑

Scale Iin @20mA ←
20.0mA = 100% ↓

←

Edit & ENTER
09.5mA = 100% → ↓

↓ ↑ then →

Edit & Enter
09.5mA = 45% → ↓

←

Scale Iin @20mA ←
9.5 mA = 45% ↓

Edit either or both mA & %

Sidebar:

There's a lot of flexibility in the 4-20 mA input scaling & the corresponding pump speed but most users will leave 4mA=0% and adjust the mA @ 100% to allow 0-100% pump operation over a narrower range of 4-20 mA input.

For example, if you wish 0-15% of the 4-20 mA input to control the pump from 0-100%

Edit **Scale lin @20mA** for **6.4mA = 100%**

& leave **Scale lin @ 4 mA** unchanged at **4.0mA = 0%**

Setting the mA level below 4.0mA will set the mA level to 4.0mA

Setting the mA level above 21.0mA will set the mA level to 21mA

Setting the % above 100% will set the % to 100%. The % level cannot be set below 0%.

Refer to Appendix A for notes on 4-20mA Input scaling.

If you set % span to zero in error, the pump will turn OFF.

Note that you could make the current loop response reverse acting so that an increasing loop current will cause a decreasing pump %.

ProMinent ProMix 'DA' & 'PA' Polymer Feeder

2.10 Response on Loss of 4-20 mA Input

Press **ENTER** at 4-20Ma input.

Press **UP** or **DOWN** to **Iin Fail State**.

Displays the factory default.

Pump OFF when **4-20mA Input** less than 4mA.

Press **ENTER** to select a different response.

Press **DOWN** to select a user set pump speed on less than 4 mA.

Displays the factory default of 10%.

Press **ENTER** to select response & modify value.

Press **DOWN and ENTER** to run the pump at the last input Value greater than 4.0mA when the measured current loop value falls below 4.0mA.

If you pressed **ENTER @ Pump @ 10%** You will be able to modify the **10%** value.

Press **RIGHT** to move the underline cursor & **UP** or **DOWN** to modify the value at the cursor.

Press **EXIT** to leave unchanged or **ENTER** To set the new value.

View-Modify response On 4-20mA Input fail

4-20mA Input 38% 10.1mA

Iin Fail State Pump OFF

Pump OFF Pump @ 10%

Pump @ 10% Last good Iin

Last good Iin Pump OFF

Edit & ENTER Pump @ 26%

Iin Fail State Pump @ 26%

Sidebar:

The feeder defines a failed 4-20mA input @ -1% which is nominally 3.85mA. (4.0mA - 0.01 x 16.0mA = 3.84mA)

3.85mA allows 4.0mA, a valid pump control signal some headroom prior to a fault response

ProMinent ProMix 'DA' & 'PA' Polymer Feeder

2.11 Calibrate 4-20mA Output

Press **ENTER** & **DOWN** @ **Polymer Pump** to calibrate the 4-20mA current loop output that controls the pump feed rate

The present **Polymer Pump** control is 38.0%
But the on-pump display is @ 39.5%
Press **ENTER** to calibrate.

Key **RIGHT** to move the cursor &
UP or **DOWN** to change the digit.
Key **EXIT** to abandon or **ENTER** to execute.

The ProMix M reduces the pump 4-20mA current
So that the on-pump display will measure 38.0%.
Press **EXIT** to return to main menu.

Any adjustment takes effect immediately and modifies both the 4-20mA output.

Calibrate 4-20mA Out

The diagram illustrates the calibration process through a series of screen displays and key presses:

- Screen 1:** Polymer PUMp ON 38% 10.1mA. A left arrow key is shown to the right.
- Key Press:** A left arrow key and a down arrow key, with the word "and" between them.
- Screen 2:** Calibrate Iout 38.0%. A left arrow key is shown to the right.
- Key Press:** A left arrow key.
- Screen 3:** Edit & ENTER 39.5%. A right arrow key and a down arrow key are shown to the right.
- Key Press:** A down arrow key, an up arrow key, and a right arrow key, with the word "then" between the up and right arrows.
- Screen 4:** Calibrate Iout 38.0%. A left arrow key and a down arrow key are shown to the right.

Sidebar:

'Calibrate Iout' matches the % display on the polymer feeder with the polymer feed pump's % display (not all pump types display %, some display mA)

Note: 50% will not display 12mA after calibration. It will display the mA required for the pump to display 50% which could be 11mA to 13mA. Refer to 4.3 for 4-20mA reset.

Correction >10% blocked, displays "**Advice >10% Adj.Error**". Press **EXIT** to clear.

Modifying Zero, <4%

At less than 4% the 4-20mA zero is modified to correct loop offset.

Example: Pump shows 0% and the ProMix M displays 1.5%.

Modifying Span, >6%

At more than 6% the 4-20mA span is modified to correct loop gain.

Example: Pump shows 52% and the ProMix M displays 50%

ProMinent ProMix 'DA' & 'PA' Polymer Feeder

2.12 Operation Configuration

Set points

Control of the neat polymer feed pump is set by the **System Start** and **Polymer Pump** switches located on the ProMix control panel door. The type of polymer, either **emulsion** or **Mannich**, and the operation, either **Local** or **Remote**, are selected via the controller keypad or browser interface. Refer to the ProMix Mode and Polymer charts in section 1.6.

NOTE: In Batch mode the ProMix feeder adjusts the pump speed as the measured Primary & Post dilution flow rates vary to maintain the setpoint polymer concentration.

Feed Verification

Feed verification ensures that the polymer pump is actually delivering polymer by monitoring the output of the pump. Sometimes a thermal flow switch is employed for this purpose as an optional feature for 'other' type pumps selection. The Delta pump utilizes an integral relay for feed verification. See section 2.13 for further details.

Pump Calibration

Before placing the ProMix system in operation the polymer pump should be calibrated at maximum dosing and the resultant gph rate entered into the configuration menu for pump size. A calibration cylinder is provided on most ProMix systems to assist in the calibration of the polymer pump. The following procedure should be followed to calibrate a Delta type pump, assuming all installation requirements are met:

1. Configure pump for manual operation, set desired suction viscosity spm, and set stroke length to 100%.
2. Fill calibration cylinder to top mark by manipulating valves & pump to allow neat polymer into the cylinder. Manually fill the calibration cylinder if it is not possible to use the pump output.
3. Keep ProMix feeder connected to the actual system so that maximum application back pressure is realized.
4. Open primary dilution water valve so that the mix chamber fills when system is started.
5. Manipulate pump valves so that pump suction is connected to the calibration cylinder only.
6. Manually run pump at maximum rated strokes per minute and time the calibration column drawdown for at least 30 seconds taking note of beginning and end marks. Calculate the gph pump rate from the volume and time.
7. Using the controller keypad, enter the calculated pump rate in gph
8. Place the pump back into the analog mode.

Follow the same procedure for a Seepex pump but do not use water for testing and/or calibration. Connect suction side of the Seepex pump to neat polymer or mineral oil only. Also use 'other' for the type of pump selected in the controller menu

ProMinent ProMix 'DA' & 'PA' Polymer Feeder

2.13 Feed Verification

Press **ENTER** and **DOWN @ Polymer Pump** to navigate to the polymer pump feed verification option.

Feed Verify when switched **ON** is used to monitor the relay pulse output from the polymer feed pump verifying that the 4-20 mA signal from the controller is driving the pump. If this **Feed Verify** pulse signal is not active when the controller is sending the 4-20 mA control signal to the polymer pump then a pump failure alarm is actuated.

Feed Verify can also be turned **OFF** in the case where the polymer pump does not have the pulse feedback option. Press the **RIGHT** key to alternate between **ON and OFF** and press **ENTER** to modify. Press **EXIT** to return to main menu.

Press **ENTER** and **DOWN @ Polymer Pump** to navigate to the polymer pump feed verification option pulse timing interval.

Feed Verify is the time delay between pulse signals and may be adjusted to any time from 1 to 30 seconds. If a pulse is not received within this time period and **Feed Verify** is **ON** then a pump failure alarm is actuated. Press **ENTER** to modify and press the **RIGHT** key to change values.

Press **EXIT** to return to main menu

Verify on/off

Polymer 38.6% ←↵
Local RUN ↓↕

↵ then ↓ ↵

Feed Verify OFF ←↵
switch = → ↓

↵

Feed Verify ON ←↵
switch = → ↓

Verify time interval

Polymer 38.6% ←↵
Local RUN ↓

↓ ↵ or ↵

Feed Verify ←↵
30 second ↓

Sidebar:

The **Feed Verify** pulse signal from the pump is wired to the **FV** terminals on the Digital Input accessory board.

ProMinent ProMix 'DA' & 'PA' Polymer Feeder

2.14 4-20mA Controls

0% defaults to 4.0 mA.

100% defaults to 20.0 mA.

The 4-20mA input current may be changed by adjusting the 4-20mA input scaling.

2.15 Troubleshooting Guide

Adjustment and bypass fixes to operational problems.

LCD Display	Operational Problem
No Control STOP	<p>Switch the On-Off-Remote to On while you figure out the problem with the 4-20mA current loop connected to mA In input terminals 'I+' & Ground \perp terminal.</p> <p>If the ProMix M mA In 24V is powering the loop, view Polymer / Diagnostic to ensure >23VDC</p>
No Water STOP	<p>Flowswitch OK? If a flowswitch problem, jumper controller Interlock input terminal 'FS' to the adjacent Ground symbol \perp terminal while you resolve.</p> <p>Solenoid OK? Verify that the solenoid has been actuated during the Filling Mixer and Flow Check states by cracking a downstream union. Verify 120VAC between AC Power terminal 'S'olenoid & Neutrals terminals during the Filling Mixer and Flow Check states.</p> <p>Fuse Fails? If no AC solenoid power, verify solenoid wiring & coil not shorted & replace the solenoid fuse. It's the brown 2.5A fuse in the white socket above the Neutrals terminals. www.digikey.com Part# 7500413 Note that power to the mixer motor start relay coil shares the 2.5A solenoid fuse.</p>
No Ext. Run STOP	<p>If a Remote Start contact set problem, jumper controller Interlock input terminal 'RC' to the adjacent Ground symbol \perp terminal.</p>
Flush Fail STOP	<p>This state occurs if flow lost during flushing. After flush time expires, goes to No Water STOP</p>
Offline STOP	<p>If the On-Off-Remote switch is not in the OFF position then there is either a loose connection @ the door mounted switch terminals or the red 3 wire connector below the keypad ribbon connector has been disconnected.</p>

ProMinent ProMix 'DA' & 'PA' Polymer Feeder

2.16 Diagnostic Display

Press **ENTER** & **UP** @ **Polymer**
for **Diagnostics**.

When initially programmed, the ProMix M serial
number 1st letter is set to 'U'.
Manufacturing sets the 1st letter to 'P'

Firmware Ver: is the software issue date.
In this example 4/06/10.

An increasing number of **Watchdog Resets** indicates that
the software is halting, typically as a result of an external
electrical fault. Disconnect the **Interlock RC** inputs first,
followed by the **mA In I+** & common inputs next.

If the feeder runs continuously or the **RC** input is used to
STOP the feeder, there should be a low number of **Power
OFF-ONS**. An unexplained, high number usually indicates
accidental shutdown or AC power wiring problems.

Relay ON/OFF display in the same order as wired and
labeled on the ProMix M circuit board.

Polymer enable, Running, Water Loss, Mixer, Solenoid.
P,R & W are dry NO contacts, **M & S** are NO hot, 120VAC.

This is the elapsed time on the **Polymer enable** contact set
& therefore tracks the time spent in the **Remote RUN** &
Local RUN states. It's saved to flash every hour so if
powered OFF before an hour of ON time, ON time is lost.

This is the elapsed ProMix M AC powered time & meant to
be compared to the previous **Pump ON** time.
It's saved to flash every hour so if powered OFF before an
hour of ON time, ON time is lost.

The 4-20mA current input is locked to the 4-20mA current
output when Remote selected. Both can be calibrated &
occasionally mis-calibrated. Press **ENTER** to return to the
factory defaults & a known state.

Diagnostics

Diagnostics 23.9 VDC

←↵

↕

←↵

Serial Number U310PF001

←↵

↕

↓ ↕

Firmware Ver: 40610

↕

↓ ↕

Watchdog Resets 0

←↵

↕

↓ ↕

Power OFF-ONS 2

↕

↓ ↕

P	R	W	M	S	↕
ON	ON	-	ON	ON	

↓ ↕

Pump ON 0Days, 2Hrs

↕

↓ ↕

Powered 1Yrs 46Days, 14Hrs

↕

↓ ↕

Reset Iin&Iout ENTER resets

←↵

↕

ProMinent ProMix 'DA' & 'PA' Polymer Feeder

3.0 SPARE PARTS & PREVENTIVE MAINTENANCE

3.1 DELTA (DLTA) Pump Spare Parts

P/N: Description:

1027082 DLTA1020 Spare Parts Kit**
1000249 DLTA1020 Diaphragm
1017393 DLTA1020 Liquid End

1027083 DLTA0730 Spare Parts Kit**
1000250 DLTA0730 Diaphragm
1017404 DLTA0730 Liquid End

1027084 DLTA0450 Spare Parts Kit**
1000251 DLTA0450 Diaphragm
1025138 DLTA0450 Liquid End

**Spare Parts Kit above includes the following:

- (1) Diaphragm
- (1) Suction Valve Set
- (1) Discharge Valve Set
- (2) Ball Valves (Check)
- (1) Set of O-rings
- (1) Connector Set

3.2 SEEPEX Pump Spare Parts

Consult Factory

3.3 PVC Mixing Chamber Spare Parts

P/N: Description:

7746474 Seal, Mech, Shaft, 1/2", ProMix-U
7747244 Injection Valve, SG, ProMix
7746491 O-Ring, Chamber, Viton, ProMix-M
7500346 PVDF Insert - 1/16 NPT x 3/16 Hose Barb (*Seal Failure Fitting*)
7037004 Tubing PVC 3/16" x 1/4" (*Seal Failure Tubing*)

ProMinent ProMix 'DA' & 'PA' Polymer Feeder

3.4 Piping Components Spare Parts

P/N: Description:

1019883 1/2" PVC Back Pressure/Pressure Relief Valve SOC pfc
7745788 0-160PSI, Gauge, SS, 2-1/2, Bottom MTD
7746152 0-160PSI 316SS Back gauge & CPVC/PTFE Isolator
7744091 1/2" ID PVC Nylobraid Hose
7741354 1/2" SS Hose Clamp
7740541 1/2" PVC Hose Barb Adapter H x MNPT

3.5 Control Panel Spare Parts

P/N: Description:

7747276 C3C Overload 10-16 Amps Adjustable
7746223 CBI UL 489 Circuit Breaker 20 Amp
7500413 Littlefuse 2.5A 250V for Circuit Board
7746094 GLD2 Time Delay Fuse

ProMinent ProMix 'DA' & 'PA' Polymer Feeder

3.6 Maintenance and Lubrication Schedule

MAINTENANCE		
Description / Task	Remarks	Frequency
Visual inspection of unit		Weekly
Check dosing line fittings and valves for tightness		Every 3 Months (Approx 30% continuous operation.)
Verify equipment is operating properly	No leaks or abnormal noises	Weekly
Check the electrical connections for integrity		Quarterly
Check tubing for wear or cuts		Weekly
Check Mixing Chamber Motor amperage. Check fan cover for obstruction or Dirt		Monthly
Check dosing diaphragm for damage (Delta Pump)		Every 3 Months (Approx 30% continuous operation.)
Check the liquid end for tightness (Delta Pump)	Torque Settings for screws 40 - 44 in/lb	Every 3 Months (Approx 30% continuous operation.)
Check leakage rate and tighten/loosen packing to allow 1-6 drops per minute (Seepex Pump)	Adjust tightening nuts only 1/2 turn per minute until stabilized	Weekly
Check flow pump rate at rated pressure (Seepex Pump)	Replace Rotor/stator as required	Weekly
Check Bearing End play and Temperature. Change Grease (Seepex Pump)	See Lubrication Chart	Monthly (3,000 Operation Hours)
Check Universal Joint Seal, Bushing and joint integrity. Replace Grease (Seepex Pump)	See Lubrication Chart	Upon rotor/stator replacement
Check Motor RPM/amperage. Drain. Check fan cover for obstruction or Dirt (Seepex Pump)		Monthly
Check Gear reducer temperature and oil level (Seepex Pump)	See Lubrication Chart	Monthly

ProMinent ProMix 'DA' & 'PA' Polymer Feeder

MAINTENANCE		
Description / Task	Remarks	Frequency
Change Gear reducer oil (Seepex Pump)	See Lubrication Chart	3 Years
Short Term – Flushing of Piping & Chamber	24 Hour Shut Down	Run 60 Second Flush
Long Term – Flushing of Piping & Chamber	24 Hour + or if large amount of polymer is dosed into chamber w/o water running	Run Water until piping is visibly clear in static mixer

LUBRICATION		
Description / Task	Lubrication	Frequency
Mixing Chamber Motor 3/4 Hp (See Chart Below)	Ball Bearing Grease	5,000 Hours of Service per Year
Check Gear Reducer Oil Level (Seepex Pump)	210cSt @ 40°C (Gulf EP Lube-S 100 or equal)	Weekly
Change Gear Reducer Oil Level (Seepex Pump)	210cSt @ 40°C (Gulf EP Lube-S 100 or equal)	3 Years
Repack Motor Bearing w/Grease	Gulf EP No. 2 or equal	3 Years
Repack Pump Bearing	Shell Alvania EP 2 or equal	3,000 Operating Hours
Repack Pump Universal Joints	Seepex Grease Type 30321 "ONLY"	Rotor Replacement or 10,000 operating hours whichever is first

ProMinent ProMix 'DA' & 'PA' Polymer Feeder

Mixing Chamber Motor Lubrication Details:

Lubrication

This is a ball bearing motor. The bearings have been lubricated at the factory. Motors that do not have regrease capability are factory lubricated for the normal life of the bearings.

Relubrication Intervals (For motors with regrease capability)

New motors that have been stored for a year or more should be relubricated. Lubrication is also recommended at these intervals:

Relubrication Intervals

NEMA (IEC) Frame Size	Rated Speed (RPM)			
	3600	1800	1200	900
Up to 210 incl. (132)	5500Hrs.	12000Hrs.	18000Hrs.	22000Hrs.
Over 210 to 280 incl. (180)	3600Hrs.	9500Hrs.	15000Hrs.	18000Hrs.
Over 280 to 360 incl. (225)	*2200Hrs.	7400Hrs.	12000Hrs.	15000Hrs.
Over 360 to 5000 incl.(300)	*2200Hrs.	3500Hrs.	7400Hrs.	10500Hrs.

* Lubrication interval for 6313 or 6314 bearings that are used in 360 through 5000 frame, 2 pole motors. If roller bearings are used, bearings must be lubricated more frequently, divide the interval by 2.

Lubricant

Baldor motors are pregreased, normally with Polyrex EM (Exxon Mobil). If other greases are preferred, check with a local Baldor Service Center for recommendations.

Procedure

Clean the grease fitting (or area around grease hole, if equipped with slotted grease screws). If motor has a purge plug, remove it. Motors can be regreased while stopped (at less than 80°C) or running.

Apply grease gun to fitting (or grease hole). Too much grease or injecting grease too quickly can cause premature bearing failure. Slowly apply the recommended amount of grease, taking 1 minute or so to apply. Operate motor for 20 minutes, then reinstall purge plug if previously removed.

Caution: Keep grease clean. Mixing dissimilar grease is not recommended.

Amount of Grease to Add

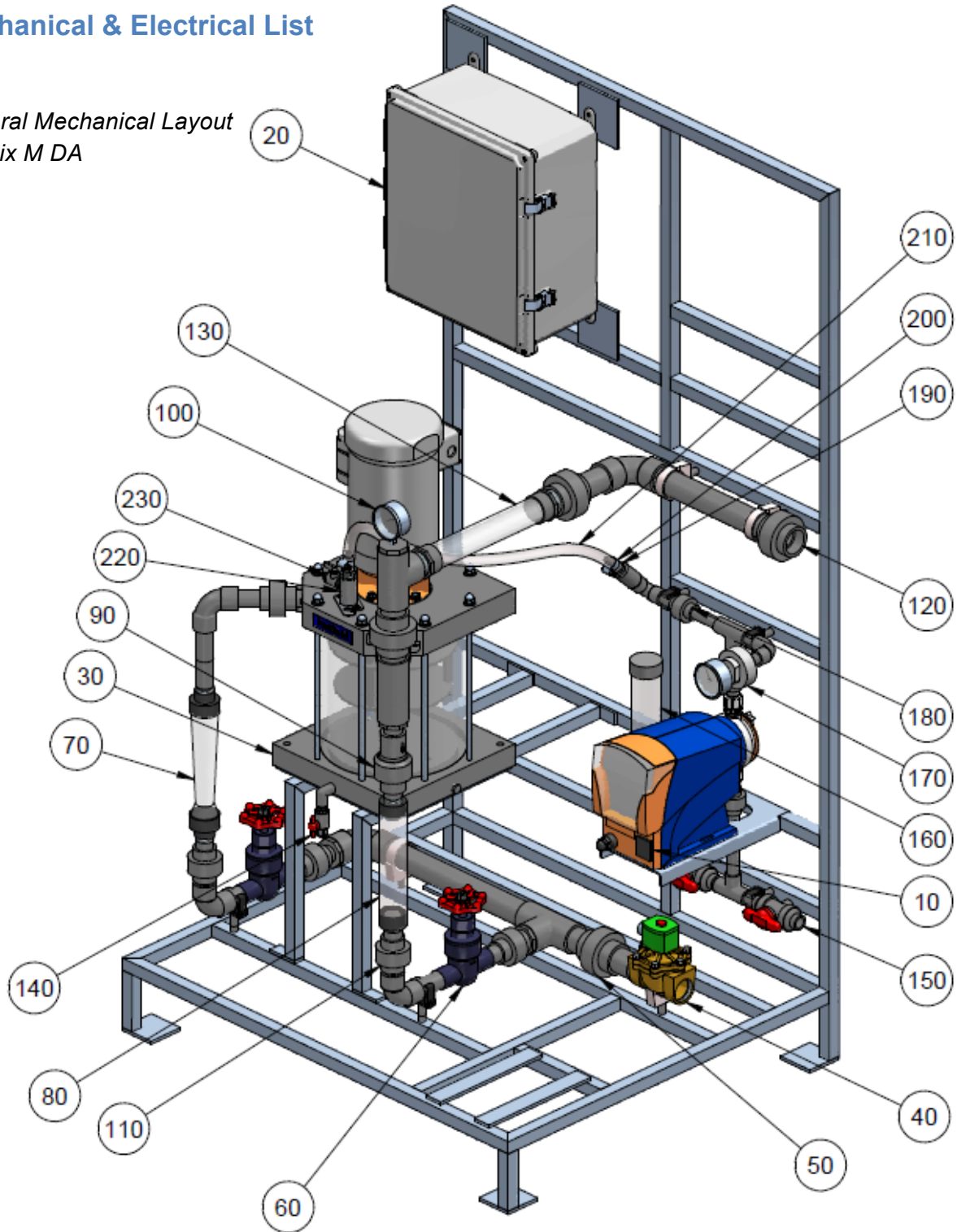
Frame Size NEMA (IEC)	Weight of grease to add ounce (gram)	Volume of grease to add	
		inches ³	teaspoon
Up to 210 incl. (132)	0.30 (8.4)	0.6	2.0
Over 210 to 280 incl. (180)	0.61 (17.4)	1.2	3.9
Over 280 to 360 incl. (225)	0.81 (23.1)	1.5	5.2
Over 360 to 5000 incl.(300)	2.12 (60.0)	4.1	13.4

ProMinent ProMix 'DA' & 'PA' Polymer Feeder

Appendix A – DA & PA Series Bill of Material

Mechanical & Electrical List

General Mechanical Layout
ProMix M DA



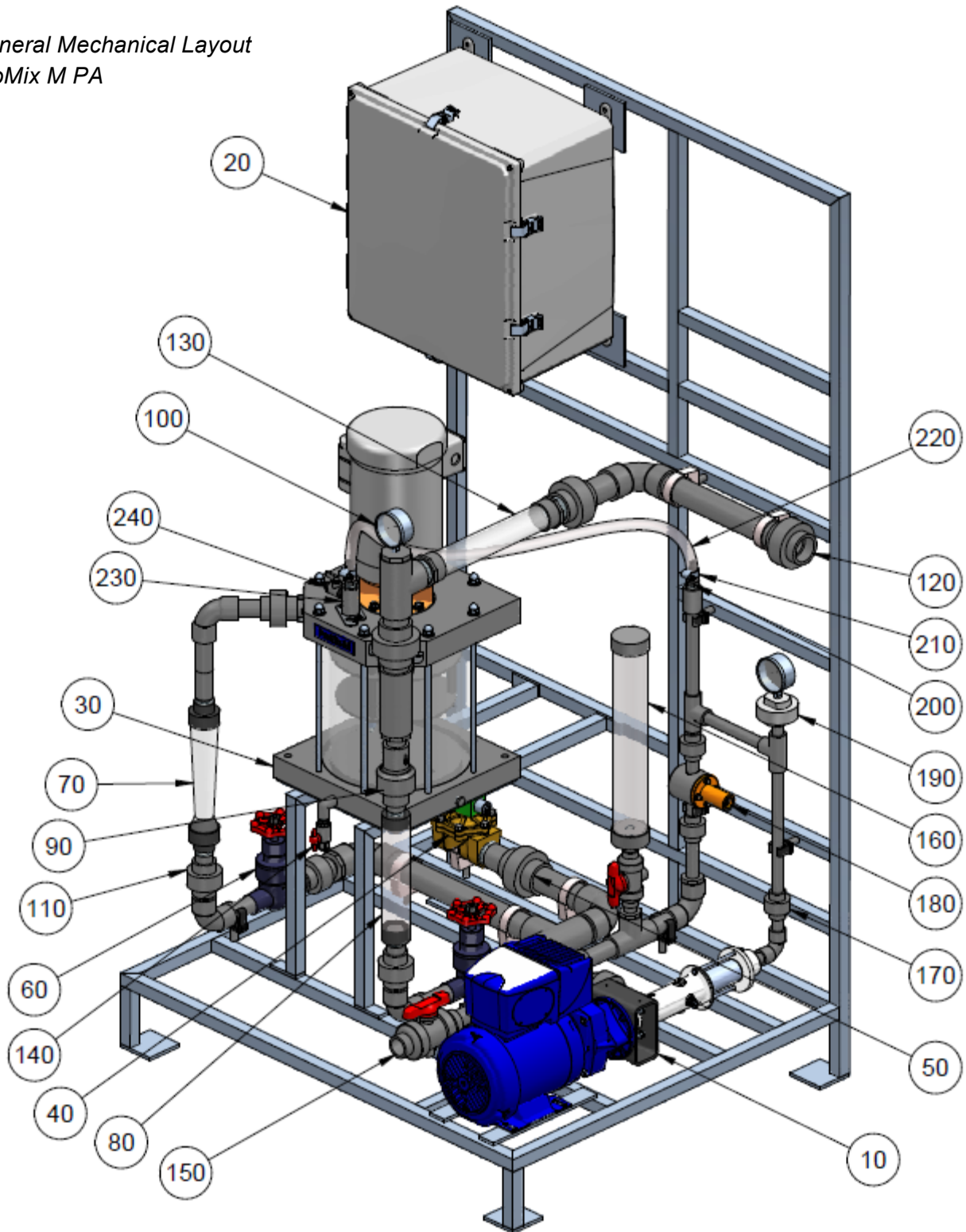
PROMIX M DA

PROMIX M (DA SERIES) BILL OF MATERIAL

ITEM	PART DESCRIPTION	PART NO.										
			1048367	1048368	1048369	1048370	1048371	1048372	1048373	1048374		
10	DELTA 1020 SERIES PUMP ON HV2 SETTING	DLTA1020PVT4600UD4031EN0	X									
	DELTA 1020 SERIES PUMP	DLTA1020PVT4600UD4031EN0		X								
	DELTA 0730 SERIES PUMP	DLTA0730PVT4600UD4031EN0			X		X		X			
	DELTA 0450 SERIES PUMP	DLTA0450PVT3600UD4031EN0				X		X			X	
20	CONTROL PANEL	7747282	X	X	X	X	X	X	X	X	X	X
30	PROMIX M MIXING CHAMBER	7747253	X	X	X	X	X	X	X	X	X	X
40	SOLENOID VALVE, 1-1/2", FNPT, BRASS	7746526	X	X	X	X	X	X	X	X	X	X
50	UNION, 1-1/2", SOCKET, PVC/VITON, SCH. 80	7744564	X	X	X	X	X	X	X	X	X	X
60	GLOBE VALVE, 1", SOCKET, PVC/EPDM	1048407	X	X	X	X	X	X	X	X	X	X
70	FLOW METER, 5 GPM, 3/4", FNPT, PVC, W\SWITCH	7746674	X									
	FLOW METER, 10 GPM, 3/4", FNPT, PVC, W\SWITCH	7746675		X	X	X						
	FLOW METER, 20 GPM, 1", FNPT, PVC, W\SWITCH	7746676					X	X				
	FLOW METER, 25 GPM, 1", FNPT, PVC, W\SWITCH	7746677								X	X	
80	FLOW METER, 5 GPM, 1/2", FNPT, PVC	7746343	X									
	FLOW METER, 10 GPM, 1", FNPT, PVC	7746652		X	X	X						
	FLOW METER, 21 GPM, 1", FNPT, PVC	7746653					X	X				
	FLOW METER, 30.5 GPM, 1", FNPT, PVC	7746654								X	X	
90	CHECK VALVE, 1", SKT, PVC	1048408	X	X	X	X	X	X	X	X	X	X
100	PRESSURE GAUGE, 316 SST, 0-100PSI	7741084				X		X			X	
	PRESSURE GAUGE, 316 SST, 0-160PSI	7745788	X	X	X		X			X		
110	UNION, 1", SOCKET, PVC/VITON, SCH. 80	7744563	X	X	X	X	X	X	X	X	X	X
120	UNION, 1-1/2", FNPT, PVC/VITON, SCH. 80	7744559	X	X	X	X	X	X	X	X	X	X
130	STATIC MIXER, 1-1/2", MNPT, CLEAR PVC, SCH. 40, 6 ELE	7746529	X	X	X	X	X	X	X	X	X	X
140	LAB COCK, 1/4", FNPT, PVC/VITON	7746331	X	X	X	X	X	X	X	X	X	X
150	BALL VALVE, 1/2", PVC/VITON, SCH. 80, TYPE 21	7000309	X	X	X	X	X	X	X	X	X	X
160	CALIBRATION COLUMN, PVC, 500mL	7500139	X	X	X	X	X	X	X	X	X	X
170	PRESSURE GAUGE, 316SST, CPVC/PTFE ISOLATOR, 0-100PSI	7746151				X		X				X
	PRESSURE GAUGE, 316SST, CPVC/PTFE ISOLATOR, 0-160PSI	7746152	X	X	X		X			X		
180	UNION, 1/2", SOCKET, PVC/VITON, SCH. 80	7744562	X	X	X	X	X	X	X	X	X	X
190	HOSE BARB ADAPTER, 1/2" ID TUBING X MNPT, PVC	7740541	X	X	X	X	X	X	X	X	X	X
200	HOSE CLAMP, 1/2", SST	7741354	X	X	X	X	X	X	X	X	X	X
210	TUBING, 1/2" ID, PVC, NYLOBRAID	7744091	X	X	X	X	X	X	X	X	X	X
220	INJECTION VALVE	7747244	X	X	X	X	X	X	X	X	X	X
230	BLEED VALVE, 1/8", PVC/VITON	7747237	X	X	X	X	X	X	X	X	X	X

ProMinent ProMix 'DA' & 'PA' Polymer Feeder

General Mechanical Layout
ProMix M PA



PROMIX M PA

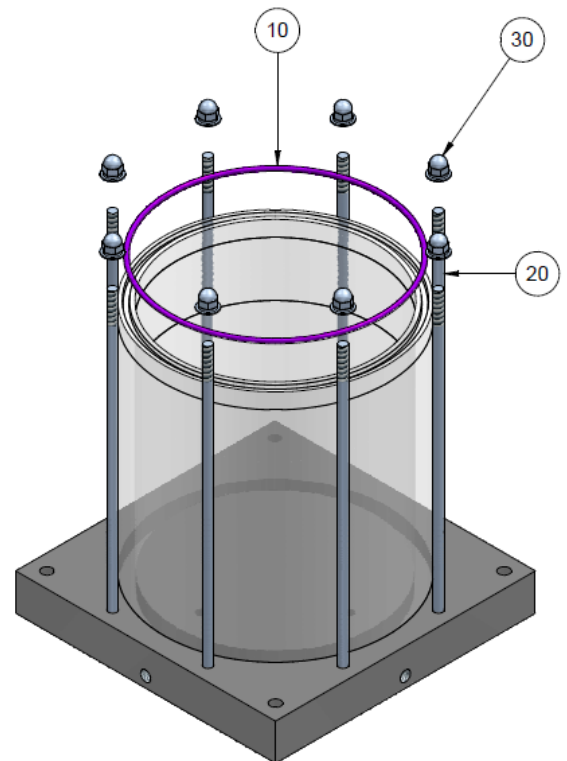
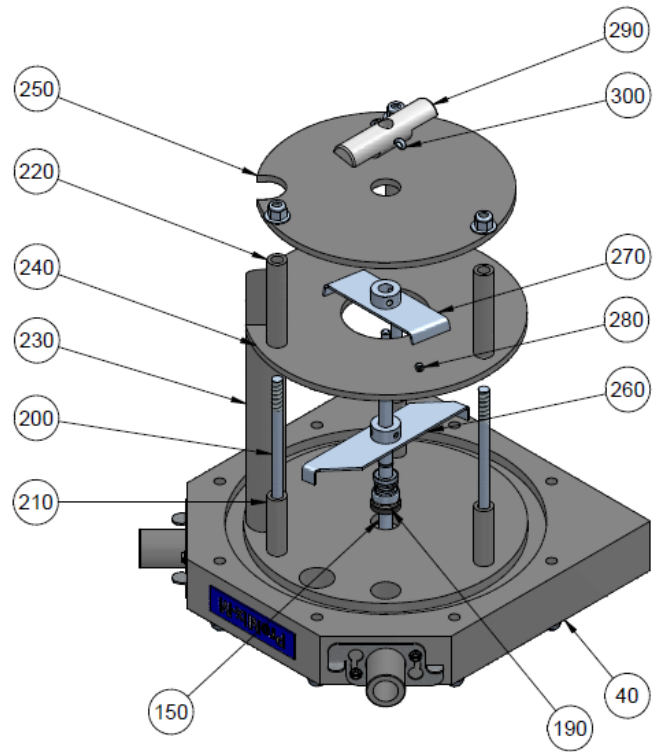
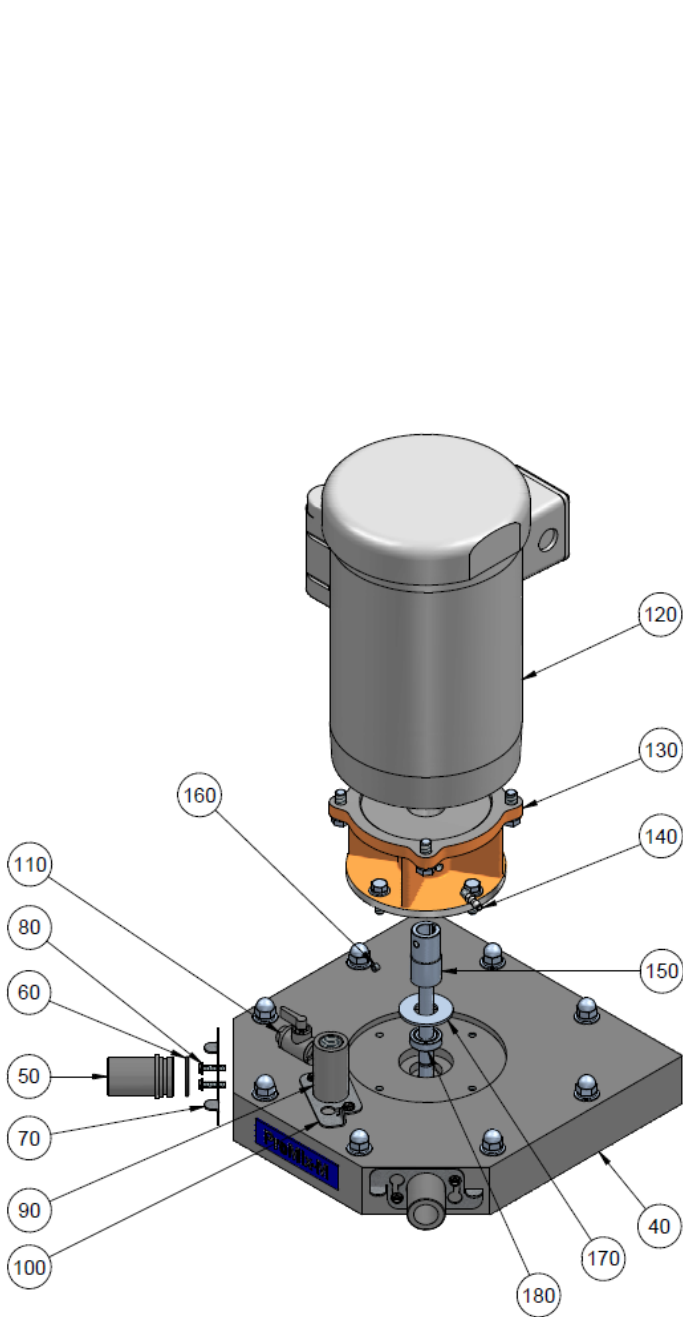
ProMinent ProMix 'DA' & 'PA' Polymer Feeder

PROMIX M (PA SERIES) BILL OF MATERIAL

ITEM	PART DESCRIPTION	PART NO.							
			1048375	1048376	1048377	1048378	1048379	1048380	1048381
10	PUMP, 5 GPH, SEEPEX MODEL MD-003-012	1048415	X	X					
	PUMP, 10 GPH, SEEPEX MODEL MD-006-012	1048416			X	X		X	
	PUMP, 24 GPH, SEEPEX MODEL MD-012-012	1048417					X		X
20	CONTROL PANEL	7747283	X	X	X	X	X	X	X
30	PROMIX M MIXING CHAMBER	7747253	X	X	X	X	X	X	X
40	SOLENOID VALVE, 1-1/2", FNPT, BRASS	7746526	X	X	X	X	X	X	X
50	UNION, 1-1/2", SOCKET, PVC/VITON, SCH. 80	7744564	X	X	X	X	X	X	X
60	GLOBE VALVE, 1", SOCKET, PVC/EPDM	1048407	X	X	X	X	X	X	X
70	FLOW METER, 5 GPM, 3/4", FNPT, PVC, W\SWITCH	7746674	X						
	FLOW METER, 10 GPM, 3/4", FNPT, PVC, W\SWITCH	7746675		X	X				
	FLOW METER, 20 GPM, 1", FNPT, PVC, W\SWITCH	7746676				X	X		
	FLOW METER, 25 GPM, 1", FNPT, PVC, W\SWITCH	7746677						X	X
80	FLOW METER, 5 GPM, 1/2", FNPT, PVC	7746343	X						
	FLOW METER, 10 GPM, 1", FNPT, PVC	7746652		X	X				
	FLOW METER, 21 GPM, 1", FNPT, PVC	7746653				X	X		
	FLOW METER, 30.5 GPM, 1", FNPT, PVC	7746654						X	X
90	CHECK VALVE, 1", SKT, PVC	1048408	X	X	X	X	X	X	X
100	PRESSURE GAUGE, 316 SST, 0-160PSI	7745788	X	X	X	X	X	X	X
110	UNION, 1", SOCKET, PVC/VITON, SCH. 80	7744563	X	X	X	X	X	X	X
120	UNION, 1-1/2", FNPT, PVC/VITON, SCH. 80	7744559	X	X	X	X	X	X	X
130	STATIC MIXER, 1-1/2", MNPT, CLEAR PVC, SCH. 40, 6 ELE	7746529	X	X	X	X	X	X	X
140	LAB COCK, 1/4", FNPT, PVC/VITON	7746331	X	X	X	X	X	X	X
150	BALL VALVE, 1", PVC/VITON, SCH. 80, TYPE 21	7741335	X	X	X	X	X	X	X
160	CALIBRATION COLUMN, PVC, 500mL	7500139	X	X	X	X		X	
	CALIBRATION COLUMN, PVC, 1000mL	7500130					X		X
170	UNION, 1/2", SOCKET, PVC/VITON, SCH. 80	7744562	X	X	X	X	X	X	X
180	BACK PRESSURE VALVE, 1/2", SOCKET, PVC, 0-150 PSI	1019883	X	X	X	X	X	X	X
190	PRESSURE GAUGE, 316SST, CPVC/PTFE ISOLATOR, 0-160PSI	7745318	X	X	X	X	X	X	X
200	HOSE BARB ADAPTER, 1/2" ID TUBING X MNPT, PVC	7740541	X	X	X	X	X	X	X
210	HOSE CLAMP, 1/2", SST	7741354	X	X	X	X	X	X	X
220	TUBING, 1/2" ID, PVC, NYLOBRAID	7744091	X	X	X	X	X	X	X
230	INJECTION VALVE	7747244	X	X	X	X	X	X	X
240	BLEED VALVE, 1/8", PVC/VITON	7747237	X	X	X	X	X	X	X

ProMinent ProMix 'DA' & 'PA' Polymer Feeder

P/N: 7747253 Mixing Chamber Components



ProMinent ProMix 'DA' & 'PA' Polymer Feeder

PROMIX M - MIXING CHAMBER BILL OF MATERIALS P/N: 7747253

ITEM #	USA PIN	QTY.	DESCRIPTION
10	7746491	1	O-RING, CHAMBER, VITON, PROMIX-M
20	7747246	8	ROD, 316SS, 3/8-16 X 14.75, PROMIX-U
30	7746492	8	NUT, ACORN, 3/8-16, 18-8 SST
40	7747252	1	PLATE, TOP, PVC, 1.75, PROMIX-M, SG
50	7747270	2	INSERT, MALE, 1", PVC, PROMIX-M
60	7747288	2	O-RING, VITON, 1.174 ID X .103 CS, AS568B-123
70	7747272	2	RETAINER, MALE INSERT, 1", 316 SST, PROMIX-M
80	7747238	6	SCREW, 10-24X3/4", 18-8, HEX HEAD WITH WASHER
90	7747244	1	INJECTION VALVE, SG, PROMIX
100	7747239	1	RETAINER, INJECTION VALVE, 316 SST
110	7747237	1	VALVE, BALL, 1/8", MNPT X FNPT, PVC, VITON
120	7747245	1	MOTOR, 1 HP, TEFC, 115/230 VAC, 1 PH, 56C, BALDOR VWDL3510
130	7746478	1	FLANGE, MOTOR, C56/135, PROMIX-M
140	7500346	1	HOSE BARB, 1/16" MNPT X 3/16" ID, PVDF
150	7746484	1	SHAFT, MIXER, 303SS, PROMIX-M
160	851405	1	SCREW, SET, 316SS, 1/4-28 PROMIX-U
170	7746473	1	WASHER, 316SS, 1.88X.81X.09, PROMIX-M
180	7746472	1	BEARING, 440SS, 1.125X.5X.31, PROMIX-M
190	7746474	1	SEAL, MECH, SHAFT, 304SS, 1/2", PROMIX-U
200	7746497	3	ROD, 316SS, 3/8-16 X 8, PROMIX-M
210	7747249	3	SPACER, TOP BAFFLE, PROMIX-M
220	7747248	3	SPACER, BOTTOM BAFFLE, PROMIX-M
230	7747247	1	PIPE, DISCHARGE, PVC, 3/4", PROMIX-U
240	7747251	1	BAFFLE, TOP, PVC, .25, PROMIX-S
250	7747250	1	BAFFLE, BOTTOM, PVC, .25, PROMIX-S
260	7746482	1	BLADE, PRIMARY, 316SS, PROMIX-M
270	7746483	1	BLADE, SECONDARY, 316SS, PROMIX-M
280	7746476	4	SCREW, SET, 316SS, 1/4-28 PROMIX-U
290	7746481	1	PROP, AGITATOR, CPVC, PROMIX-M
300	7746475	1	PIN, COTTER, 316 SST, 3/16 D X 1-1/4 L, MCMMASTER 98355A235

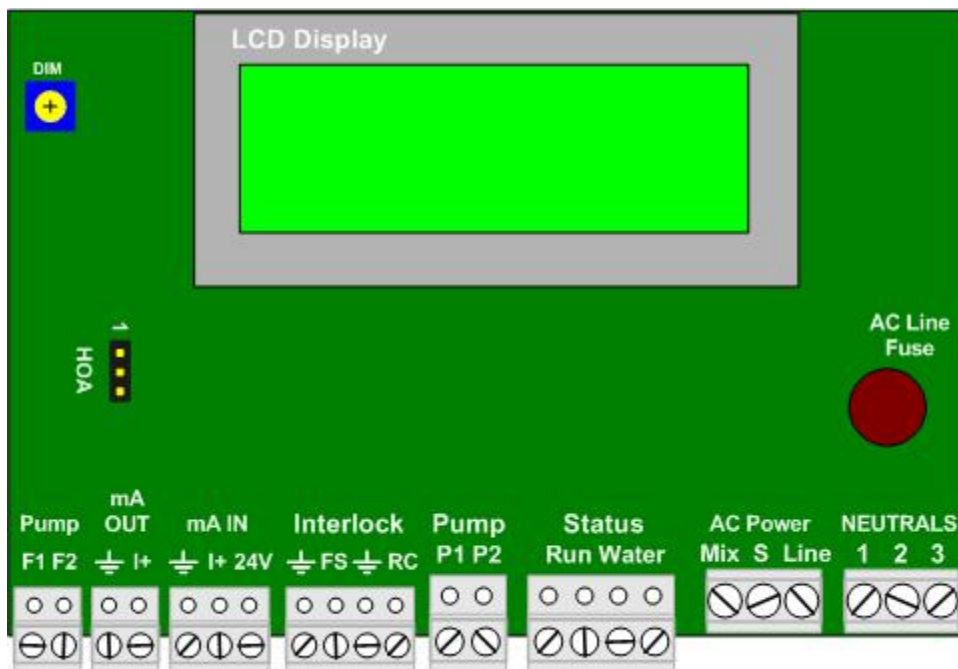
ProMinent ProMix 'DA' & 'PA' Polymer Feeder

Appendix B – Control Panel “A Controls”

B.1 Controller Board Layout

The controller consists of one circuit board.

It includes a 2 line x 16 character LCD display and a microcontroller module.

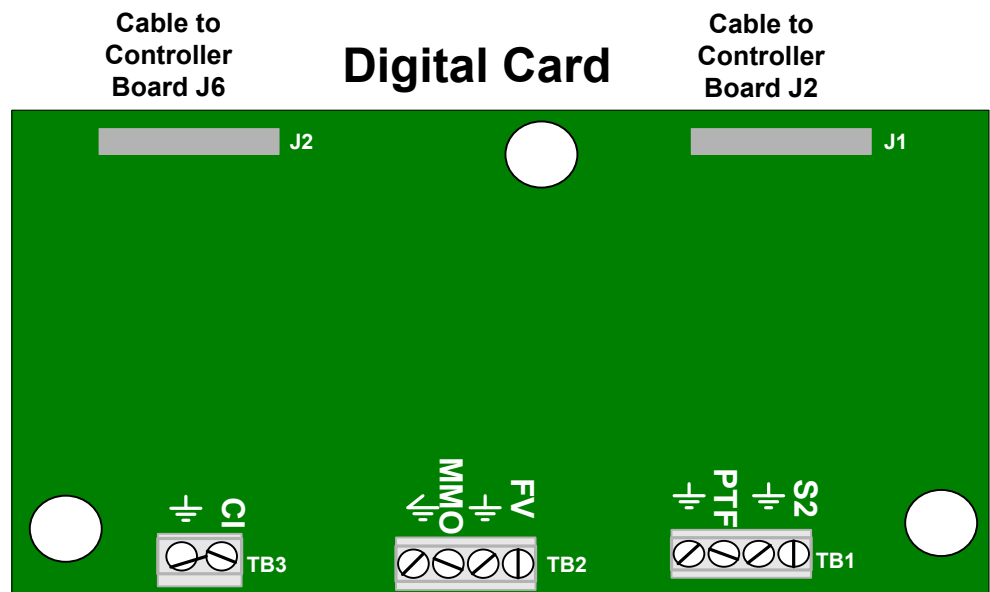


All field terminations are to be landed on terminals as per Appendix Section B.2.

Auxiliary digital input card – Internal Connections:

ProMinent ProMix 'DA' & 'PA' Polymer Feeder

1. Connect cable from Digital card J1 to Controller Board J2
2. Connect cable from Digital card J2 to Controller Board J6



CI -
configurable
input
(sometimes
used for tank
level)

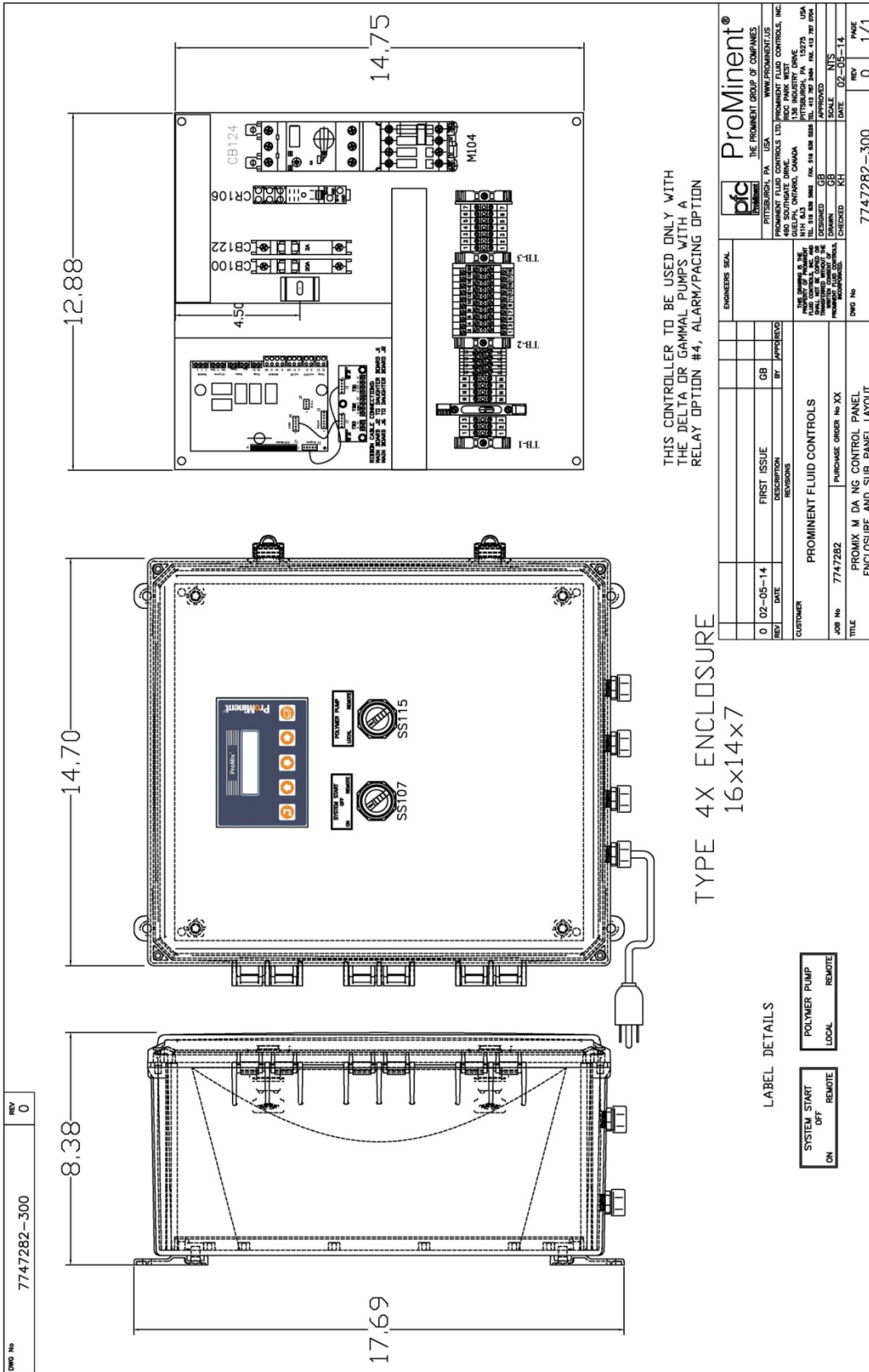
MMO – mixer motor
overload
FV – feed
verification

PTF - pump failure
S2 - interface to
Polymer Pump door
switch

FIELD WIRING

ProMinent ProMix 'DA' & 'PA' Polymer Feeder

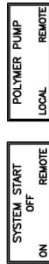
B.2 Controller Wiring (DA/PA Series)



THIS CONTROLLER TO BE USED ONLY WITH THE DELTA OR GAMMAL PUMPS WITH A RELAY OPTION #4, ALARM/PACING OPTION

TYPE 4X ENCLOSURE 16x14x7

LABEL DETAILS



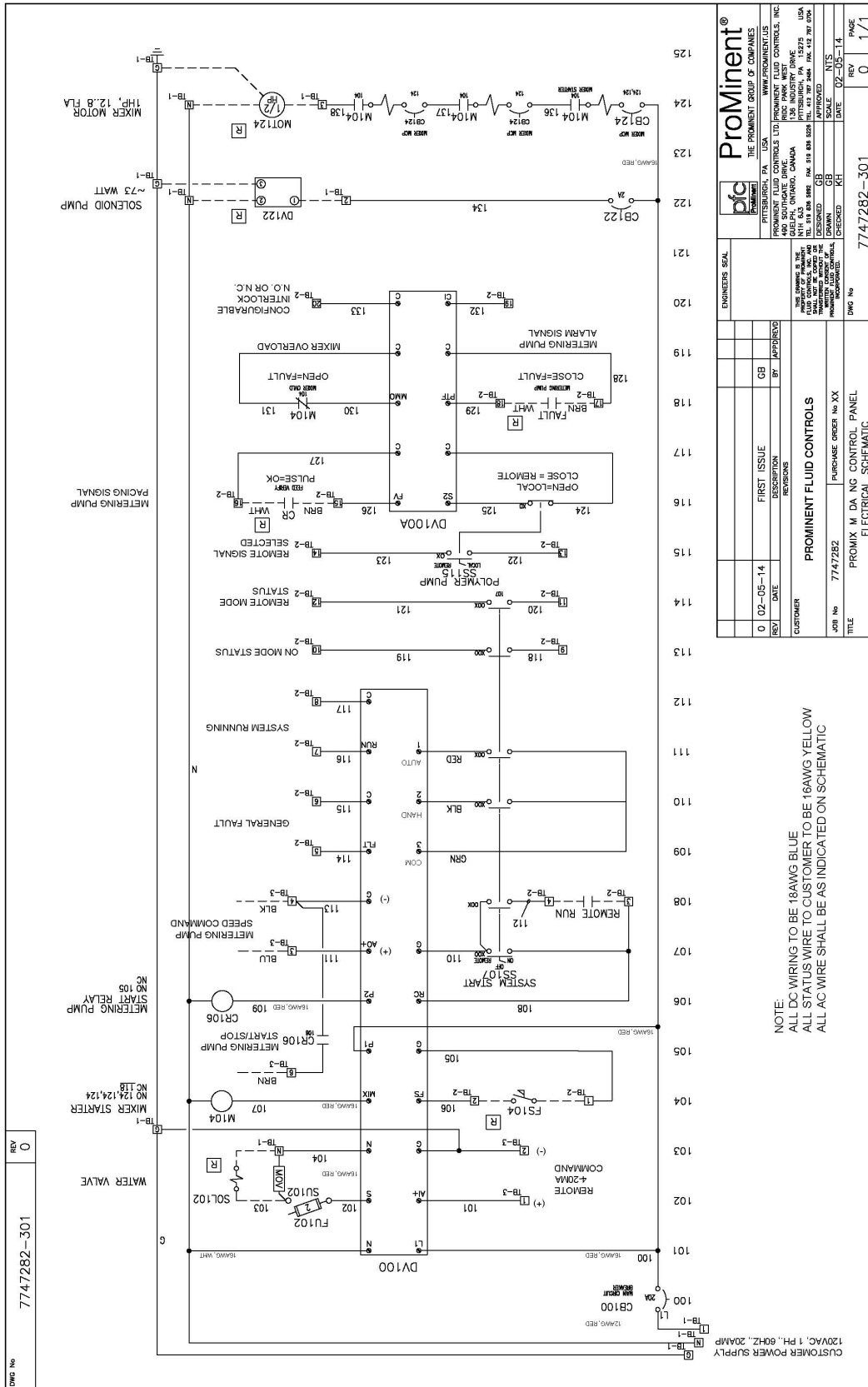
REV	DATE	DESCRIPTION	BY	APP'D
0	02-05-14	FIRST ISSUE	GB	

CUSTOMER		PROMINENT FLUID CONTROLS	
JOB No	7747282	PURCHASE ORDER No	XXX
TITLE	PROMIX M DA NG CONTROL PANEL ENCLOSURE AND SUB PANEL LAYOUT		

ENGINEER'S SEAL	
DESIGNED BY	
CHECKED BY	
DATE	02-05-14
SCALE	NTS
DWG No	7747282-300
REV	0
PAGE	1/1

ProMinent®
 THE PROMINENT GROUP OF COMPANIES
 PITTSBURGH, PA, USA WWW.PROMINENT.US
 PROMINENT FLUID CONTROLS LTD, PROMINENT FLUID CONTROLS, INC.
 480 SOUTHGATE DRIVE, 1000 PARK WEST
 1111 433 GERRARD STREET EAST, SUITE 200
 PITTSBURGH, PA 15273 USA
 TEL: 412.382.2800 FAX: 412.382.2004
 TEL: 416.292.2800 FAX: 416.292.2004

ProMinent ProMix 'DA' & 'PA' Polymer Feeder



DWG No 7747282-301
REV 0

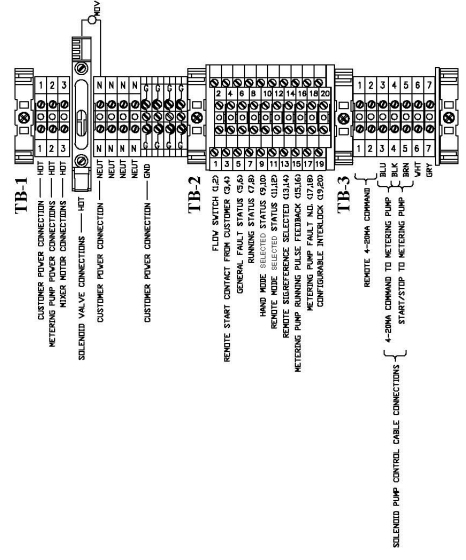
ProMinent® THE PROMINENT GROUP OF COMPANIES PITTSBURGH, PA, USA WWW.PROMINENTUS.COM PROMINENT FLUID CONTROLS LTD, PROMINENT FLUID CONTROLS, INC. 480 SCANTON DRIVE 1111 G.S. WINGFIELD, CHAPMAN PITTSBURGH, PA 15275 USA PHONE: 724.781.1000 FAX: 724.781.1001 EMAIL: SALES@PROMINENTUS.COM DRAWN: GB CHECKED: KCI DATE: 02-05-14	
ENGINEERS SEAL DESCRIPTION: PROMINENT FLUID CONTROLS REVISIONS: FIRST ISSUE BY: APPROVED DATE: 02-05-14	DWG No 7747282-301 TITLE: PROMIX M DA NG CONTROL PANEL ELECTRICAL SCHEMATIC

NOTE:
 ALL DC WIRING TO BE 18AWG BLUE
 ALL STATUS WIRE TO CUSTOMER TO BE 18AWG YELLOW
 ALL AC WIRE SHALL BE AS INDICATED ON SCHEMATIC

CUSTOMER POWER SUPPLY 120VAC, 1 PH, 60HZ, 20AMP	20A BREAKER CB100
100	100
TB-1	TB-1
101	101
102	102
103	103
104	104
105	105
106	106
107	107
108	108
109	109
110	110
111	111
112	112
113	113
114	114
115	115
116	116
117	117
118	118
119	119
120	120
121	121
122	122
123	123
124	124
125	125

DWG No 7747282-302 REV 0

TAGS	QTY	SUB	CHANGES	WPS	DESCRIPTION
	1		7747277	INTERA	DESCRIPTION: INTERMEDIATE TYPE 4X ENCLOSURE WALL-MOUNT ENCLOSURE NEMA 4X, 18 X 14 X 7 IN. WATER/DAUST-TIGHT
	1	H1	7747192	INTERA	STEEL PANEL PAINTED WHITE
CS100	1		7746223	GR	1-PHASE 120 VAC, 1-PHASE 50/60 HZ, 20 AMPS, 120 VAC, 1-DOOR UL 489
CS106	1		7746223	GR	1-PHASE 120 VAC, 1-PHASE 50/60 HZ, 20 AMPS, 120 VAC, 1-DOOR UL 489
CS124/4104	1	H1	7747278	4R	RELAY SOCKET 700A133
	1			C3 CONTROLS	MOTOR CIRCUIT PROTECTOR/CONTACTOR ASSEMBLY EC-ASSEMBLY W/ AUXILIARY CONTACTS
SS107	1		7745915	S00	SELECTOR SW - 3 POS MAINT, NEMA TYPE 4X
SS115	1	H1	7745923	S00	SELECTOR SW - 2 POS MAINT, NEMA TYPE 4X
SU102	1		7745305	LITTLEFOUSE	NEURAL CIRCUIT MOTOR
TB-1	4		7746750	PHOENIX	TERMINAL - USLUGS, GROUND TERMINAL
TB-2	14		7746748	PHOENIX	TERMINAL BLOCK - USLUGS, GROUND TERMINAL
TB-3	10		7746744	PHOENIX	TERMINAL BLOCK - USLUGS, GROUND TERMINAL
FU103	1		7745922	AUTO DIRECT	FUSE TERMINAL 1/2" IN. DIA. 1/4" THICKNESS 5.0MM
	2		7600385	BERNIZ SHANNUTT	STOCK PRINTED LABELS
	1		7740819	PFC	POWER CORD 10FT, #10 AWG NEMA 5-15 PLUG
	5		2112	PFC	SKINTOP CABLE GLAND 1/2" NPT, UL LISTED
	2		53613260	PFC	SKINTOP CABLE GLAND INSERT 2 HOLE
	3		911371	PFC	SKIN TOP 1/2" NPT LOCK NUT
	1		7746655	PFC	PROMIX 5" CUSTOM CONTROLLER
	1		7746882	PFC	KEYPAD FACE PLATE FOR CONTROLLER
	1		7746884	PFC	KEYPAD 5 PIN 1/2" DIA. 3 PC BOARD RESEFFLAG
A/R	1		7746885	PFC	3 CONDUCTOR 22AWG CABLE UNSHIELDED
	1		7735070	PFC	REMOVE STRAIN RELIEF RSP-10R
A/R	1		7746532	PFC	GALV ROMEX 1/2" NUT FOR STRAIN RELIEF
	1		7760568	PFC	PLUG FOR UNUSED CABLE GLANDS
	1		7760286	PFC	LCD HEADER FOR MICROFLEX
	2		488734	PFC	DISPLAY 2X16 CHARACTER
	4		7760548	PFC	COUNTER SUNK SCREW M2X20
	4		7760544	PFC	SCREW 2-56 FLAT PHIL 3/4" LONG
	7		7760545	PFC	LOCKNUT #2-56
	6		7760546	PFC	NYLON FLAT WASHER #6
	1		7760548	PFC	NYLON LOCK NUT #6-32
	3		7760407	PFC	NYLON NUT #6-32
	3		7746538	PFC	35 POSITION 0.1 CONNECTION HEADER
	5		7760575	PFC	NYLON LOCK NUT #6-32
	1		7500422	DIGKEY	16PIN, 16" RIBBON CABLE
	2		7746541	DIGKEY	6 PIN, RIBBON CABLE
	2		7760556	PFC	SCREW 6-32 x 3/4"



SELECTOR OPERATION	
SW1 ON-OFF-REMOTE	"A" CONTROL
ON	SYSTEM ON - LOCAL KEYPAD CONTROLS PUMP OUTPUT
REMOTE	SYSTEM ON - REMOTE 4-20MA FOR PUMP OUTPUT
LOCAL	SYSTEM START VIA REMOTE DRY CONTACT - LOCAL KEYPAD CONTROLS PUMP OUTPUT
REMOTE	SYSTEM START VIA REMOTE DRY CONTACT - REMOTE 4-20MA FOR PUMP OUTPUT

ProMinent
 THE PROMINENT GROUP OF COMPANIES
 PITTSBURGH, PA, USA WWW.PROMINENTUS.COM

PROMINENT FLUID CONTROLS LTD. PROMINENT FLUID CONTROLS, INC.
 1336 INDUSTRIAL DRIVE
 PITTSBURGH, PA 15278 USA
 412.737.2093
 1336 INDUSTRIAL DRIVE
 PITTSBURGH, PA 15278 USA
 412.737.2093

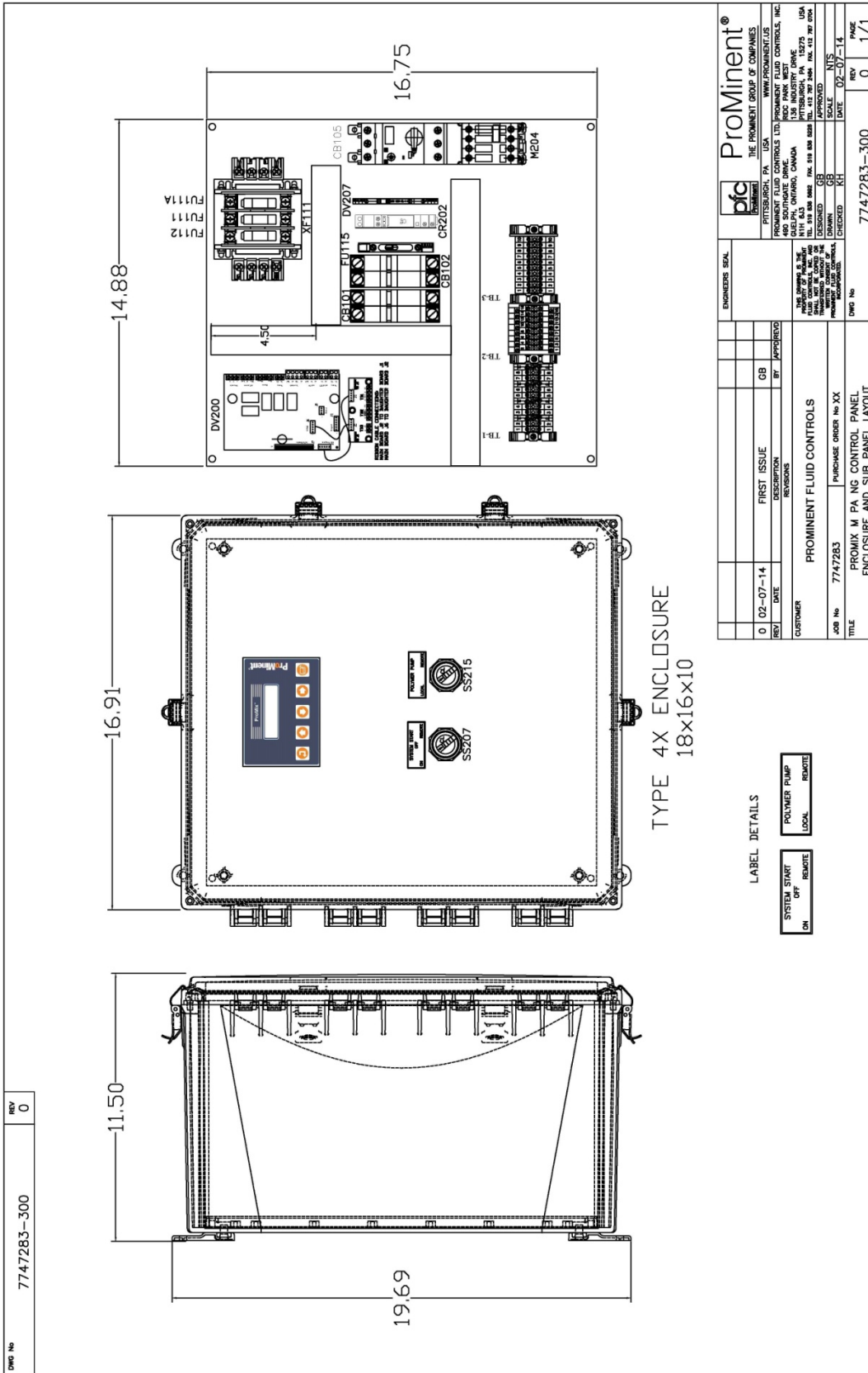
DESIGNED BY: GB
 CHECKED BY: KH
 SCALE: NIS
 DATE: 02-05-14

ENGINEER'S SEAL

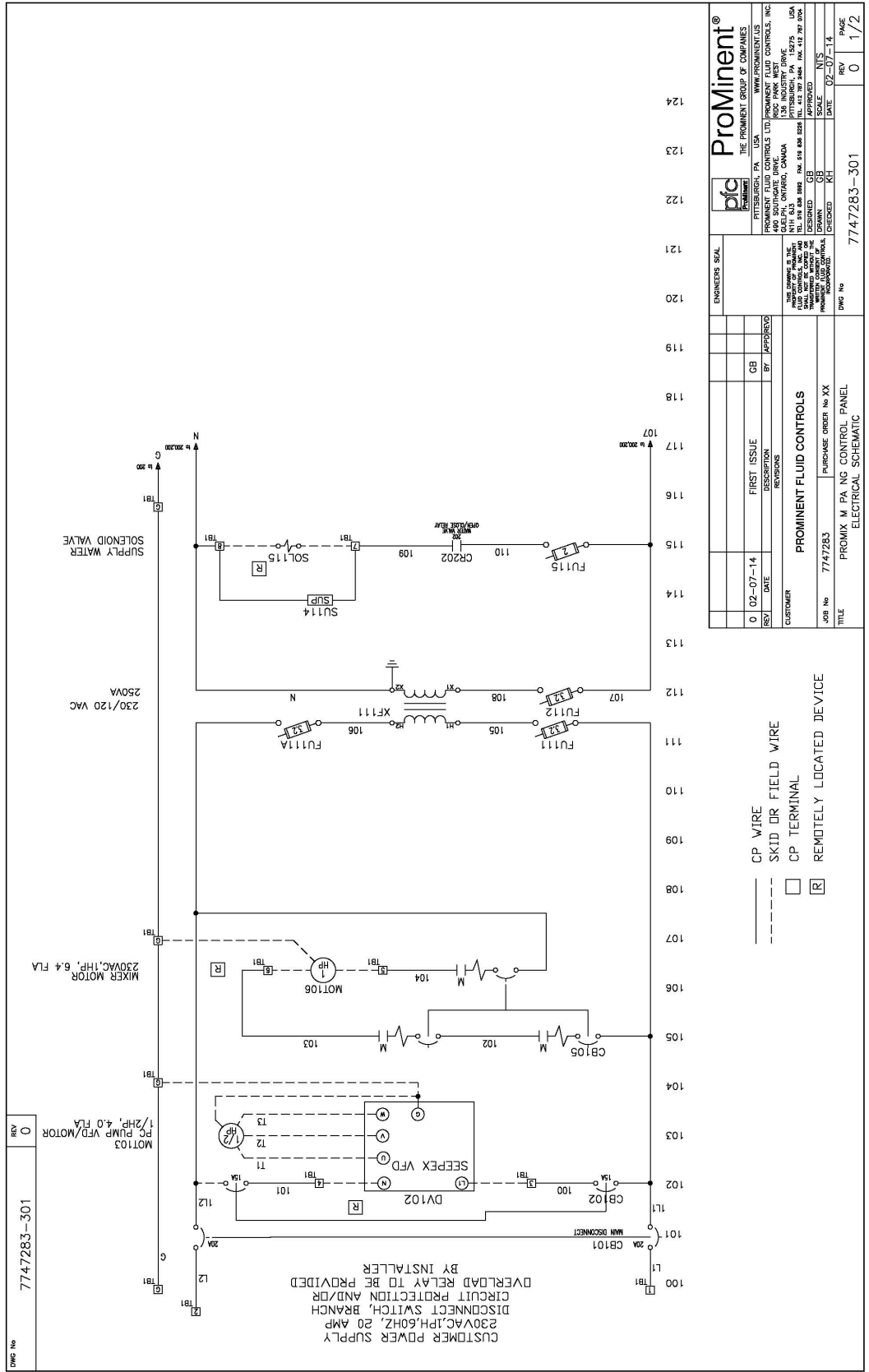
CUSTOMER: PROMIX M DA NG CONTROL PANEL
 TITLE: TERMINAL DETAIL AND BILL OF MATERIAL

REV: 0
 DATE: 02-05-14
 DWG No: 7747282-302
 PAGE: 1/1

ProMinent ProMix 'DA' & 'PA' Polymer Feeder



ProMinent ProMix 'DA' & 'PA' Polymer Feeder



ProMinent®
THE PROMINENT GROUP OF COMPANIES
WWW.PROMINENT.US

PITTSBURGH, PA USA
PROMINENT FLUID CONTROLS LTD PROMINENT FLUID CONTROLS, INC
136 INDUSTRIAL DRIVE
GUELPH, ONTARIO, CANADA
TEL: 519 836 8888 FAX: 519 836 8229
TEL: 610 292 7644 FAX: 610 292 4004

DESIGNED: GB
DRAWN: GB
CHECKED: KH
DATE: 02-07-14

SCALE: NTS

ENGINEER'S SEAL

DATE: 02-07-14
PAGE: 0
1/2

7747283-301

REV	DATE	DESCRIPTION	BY	APPROVED
0	02-07-14	FIRST ISSUE	GB	

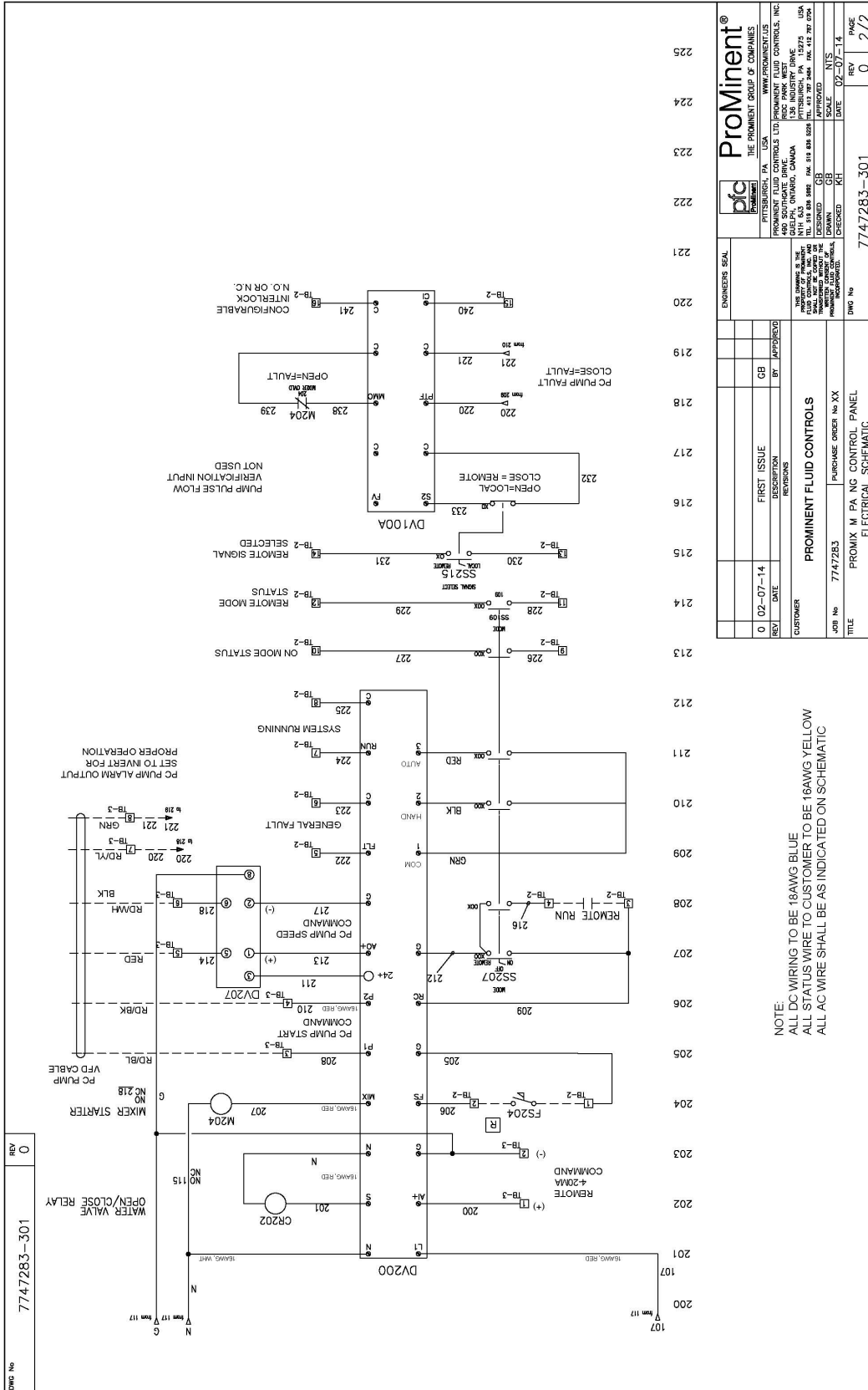
PROMINENT FLUID CONTROLS

CUSTOMER: PROMIX M PA NG CONTROL PANEL ELECTRICAL SCHEMATIC

JOB No: 7747283 PURCHASE ORDER No: XX

TITLE: PROMIX M PA NG CONTROL PANEL ELECTRICAL SCHEMATIC

ProMinent ProMix 'DA' & 'PA' Polymer Feeder



REV	DATE	FIRST ISSUE	BY	APPROVED
0	02-07-14			
PROMINENT FLUID CONTROLS				
PURCHASE ORDER No. XX				
JOB No 7747283				
TITLE PROMIX M PA NG CONTROL PANEL ELECTRICAL SCHEMATIC				
PAGE No 0				
REV 0				
PAGE 2/2				

ProMinent®
 THE PROMINENT GROUP OF COMPANIES
 WWW.PROMINENTUS.COM

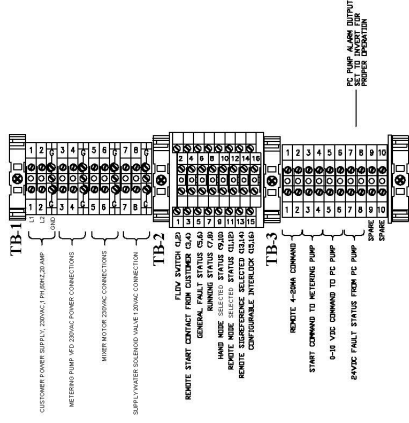
FLUID CONTROLS LTD
 136 INDUSTRY DRIVE
 480 SOUTHCAST ROAD
 MISSISSAUGA, ONTARIO, CANADA
 TEL: 905 884 8888 FAX: 905 884 8282 TOLL FREE: 1-877-244-4142

DESIGNED: GJB
 APPROVED: GJB
 DATE: 02-07-14

ISSUED: GJB
 DATE: 02-07-14

DWG No 7747283-302 REV 0

Table with 4 columns: TAGS, QTY, PART NO, DESCRIPTION. Lists various electrical components like enclosures, breakers, relays, switches, terminals, and connectors.



SELECTOR OPERATION table. Columns: SW1 ON-OFF-REMOTE, SW2 LOCAL-REMOTE, SYSTEM ON-LOCAL KEYPAD CONTROLS, SYSTEM ON-REMOTE KEYPAD CONTROLS, SYSTEM START VIA REMOTE DRY CONTACT, SYSTEM START VIA REMOTE DRY CONTACT - PUMP OUTPUT.

Administrative and revision information including revision table (REV 0, DATE 02-07-14), customer name (PROMIX M PA NG CONTROL PANEL), and company logo (ProMinent).

ProMinent ProMix 'DA' & 'PA' Polymer Feeder

B.3 4-20 mA Input Scaling

1. Feeding More Polymer when the 4-20mA Input Current Decreases:

If you set **Scale lin @ 4mA** to **4mA = 100%** and **Scale lin @20mA** to **20mA = 0%**, the feeder will accommodate a logically inverted controlling 4-20mA current loop.

However the default **lin Fail State** is polymer pump OFF at 3.85mA.

If a current signal <4.0mA does not represent a control loop fault at your site, you may wish to set the **lin Fail State** to **Pump @ 100%**.

2. Non-Zero % at 4.0mA & 100% @ <20mA:

To verify a non-standard 4-20mA input scaling, Set **Scale lin @4mA** to **4mA = 20%** and **Scale lin @ 20mA** to **12mA= 100%**.

For a controlling current loop is at each of the following values:

Greater than 12mA = 100% pump speed

4.0mA =20% pump speed

$12 \text{ to } 4\text{mA} = (100\% - 20\%) \times (\text{mA} - 4) / (12 - 4) + 20\%$

Example: At 10.4mA control current: $(80\% \times (10.5 - 4) / 8) + 20\% = 85\%$ pump speed

3. Correct Pump Response buy more Complex than needed:

If you also logically invert the 4-20mA pump response it may get confusing for you to verify the pump response to the 4-20mA input.

If you set **Scale lin @4mA** to **6mA = 100%** and **Scale lin @ 20mA** to **16mA= 10%**

$16 \text{ to } 6\text{mA} = (10\% - 100\%) \times (\text{mA} - 16) / (6 - 16) + 10\%$

Example: At 13.6mA control current: $(-90\% \times (10.5 - 4) / 8) + 20\% = 31\%$ pump speed

Few users will need to re-scale more than one of the current or percentage parameters. Many users will not have to re-scale the 4-20mA input; 4-20mA will be 0-100% pump speed.

4. Dual Logical Inversion:

Be careful how you set the scaling currents and percentages. The effect is not always obvious.

If you set **Scale lin @4mA** to **20mA = 100%** and **Scale lin @ 20mA** to **4mA= 0%**

You've logically inverted both the control current and the pump response – you are then back to factory default span & control response

This is not a fault but could be confusing to other users

5. Keying Error Response:

Be aware not to accidentally set both the 4mA and 20mA scaling to the same values!

For example if you set **Scale lin @ 4mA** to **10mA = 100%** and

Scale lin @ 20mA to **10mA= 0%**, the feeder forces a 0.1mA difference

If you set **Scale lin @4mA** to **4mA = 50%** and **Scale lin @ 20mA** to **20mA= 50%**, the feeder forces a 1% difference.

Correct any keying error prior to operating the ProMix M

Appendix C – Polymer Sizing / Dosage

The ProMix M Polymer Pump switch on the controller door enables the user to select either LOCAL or REMOTE operation. In 'LOCAL', the polymer pump speed is selectable from 0 - 100% using the controller keypad. In 'REMOTE', the polymer pump speed is controlled by a remote 4-20 mA signal representing 0 – 100%.

The desired polymer dosage must be considered prior to selecting the ProMix M model and pump speed. Typically the user will know how much polymer is required. This information is from jar tests or from prior experience. Otherwise the dosage can be derived from an initial manual calculation which must be adjusted based upon actual operation.

Below are typical guidelines to estimate polymer feed dosage:

1. For a Clarifier / Filter application:

A = MGD Plant Flow

B = ppm active polymer

C = desired solution concentration (%)

$$(A*B)/24 = \text{GPH active polymer}$$

$$\text{GPH active polymer}/C = \text{Required dilution range}$$

2. For a Sludge Dewatering application:

User must have the following information to estimate GPH neat polymer:

A = GPM sludge

B = % solids (concentration)

C = lbs polymer per dry ton

D = percent active polymer

E = desired solution concentration (%)

$$(((A*8.34)*B)*60)/2000 = \text{Tons/Hr dry sludge}$$

$$(((\text{Tons/Hr dry sludge}*C)/8.34)/D)/E = \text{Required dilution range}$$

The polymer concentration from the ProMix M Polymer feeder is based upon the neat polymer pump rate divided by the total water flow through the primary and post dilution rotameters. For example, if the neat polymer feed rate is 1.5 gph and the flow through the primary rotameter is 15 gpm and the flow through the secondary rotameter is 10 gpm then the polymer concentration is:

$$((1.5 \text{ gph} / 60) / (15 \text{ gpm} + 10 \text{ gpm})) = 0.001 = 0.1\%$$

Further post dilution is possible with equipment by others.

Appendix D – Reference Documents

Mechanical General Arrangement Drawings:

1048367	-200	ProMix M SG 300X2-2.3DA System
1048368	-200	ProMix M SG 600X2-3.8DA System
1048369	-200	ProMix M SG 600X2-6.2DA System
1048370	-200	ProMix M SG 600X2-10.3DA System
1048371	-200	ProMix M SG 1200X2-6.2DA System
1048372	-200	ProMix M SG 1200X2-10.3DA System
1048373	-200	ProMix M SG 1500X2-6.2DA System
1048374	-200	ProMix M SG 1500X2-10.3DA System
1048367	-200	ProMix M SG 300X2-2.3DA System
1048375	-200	ProMix M SG 300X2-5.0PA System
1048376	-200	ProMix M SG 600X2-5.0PA System
1048377	-200	ProMix M SG 600X2-10.0PA System
1048378	-200	ProMix M SG 1200X2-10.0PA System
1048379	-200	ProMix M SG 1200X2-24.0PA System
1048380	-200	ProMix M SG 1500X2-10.0PA System
1048381	-200	ProMix M SG 1500X2-24.0PA System

Electrical Schematic Drawings:

7747282-300	PROMIX-M Delta "A" Control Panel
7747283-300	PROMIX-M Seepex "A" Control Panel

ProMinent ProMix 'DA' & 'PA' Polymer Feeder

Pump Manuals:

DLTA QSG

Delta Pump Quick Start Guide

986691

Delta Pump Operating Manual

Seepex Pump Operating Manual

(Provided upon request)

Documents noted in this section are not in this manual

Appendix E - Keypad Menu Overview

