



PERIPAD-501

User Manual



Perixx's warranty obligations are limited to the terms set forth below. Perixx warrants this hardware product against defects in materials and workmanship for a period of two (2) years from the date of original invoice.

If you discover a defect, Perixx will, at its option, repair or replace the product at no charge to you, provided you return it during the warranty period with shipping charges pre-paid to Perixx. You must contact Perixx for a Return Merchandise Authorization number (RMA) prior to returning any product. For each product returned for warranty service, please include your name, shipping address (no P.O. Box), telephone number, a copy of the bill of sale as proof of purchase and make sure that the package is clearly marked with your RMA number.

THE WARRANTY AND REMEDIES SET FORTH ABOVE ARE EXCLUSIVE AND IN LIEU OF ALL OTHERS, WHETHER WRITTEN, ORAL, EXPRESS OR IMPLIED. PERIXX SPECIFICALLY DISCLAIMS ANY AND ALL IMPLIED WARRANTIES, INCLUDING AND WITHOUT LIMITATION, WARRANTIES OF MERCHANTABILITY AND FITNESS FOR A PARTICULAR PURPOSE. NO PERIXX DEALER, AGENT, OR EMPLOYEE IS AUTHORIZED TO MAKE ANY MODIFICATION, EXTENTION OR ADDITION TO THIS WARRANTY.

PERIXX IS NOT RESPONSIBLE FOR SPECIAL, INCIDENTAL OR CONSEQUENTIAL DAMAGES RESULTING FROM ANY BREACH OF WARRANTY, OR UNDER ANY LEGAL THEORY, INCLUDING BUT NOT LIMITED TO LOST PROFITS, DOWNTIME, GOODWILL, DAMAGE TO OR REPLACEMENT OF EQUIPMENT OR PROPERTY AND ANY COST OF RECOVERING, REPROGRAMMING OR REPLRODUCING ANY

PROGRAM OR DATA STORED IN OR USED WITH PERIXX PRODUCTS. PERIXX'S MAXIMUM LIABILITY FOR ANY AND ALL DAMAGES ARISING OUT OF USE OF THE PRODUCT SHALL BE LIMITED TO THE AMOUNTS PAID BY PURCHASER FOR SUCH PRODUCT.



1



Caution

- The manufacturer and re-sellers are not responsible for any malfunctions, damage, or personal injury incurred by:
 - ▶ A misuse of the product
 - ▶ Any attempt to dismantle, change or modify the product in any manner
- You are cautioned that changes or modifications not expressly approved by the party responsible for the compliance could void your authority to operate the equipment.
- Mandatory repair charges are required for the following conditions, within the guarantee period:
 - ▶ Malfunction or damage is due to misuse or improper alteration or repair.
 - ▶ Malfunction or damage caused by the falling after the purchase.
 - ▶ Malfunction or damage is caused by a fire, salt, gas, earthquake, lighting, wind, water, or other natural calamities, or abnormal voltage.
 - ▶ Malfunction or damage is caused by other devices connected to the keyboard.
- All brand names, trademarks and logos are the properties of their respective owners.

Please Note: Long-term repetitive use of any keyboard could cause injury to user. Perixx recommends users avoid excessive use of this or any keyboard.

2



Federal Communication Commission Interference Statement

This equipment has been tested and found to comply with the limits for a Class B digital device. Pursuant to Part 15 of the FCC Rules, These limits are designed to provide reasonable protection against harmful interference in a residential installation. This equipment generates uses and can radiate radio frequency energy and, if no installed an used in accordance with the instructions, may cause harmful interference to radio or television reception, which can be determined by turning the equipment off and on, the user is encouraged to try to correct the interference by one of the following measures:

- Reorient or relocate the receiving the equipment and receiver.
- Increase the separation between the equipment and receiver.
- Connect the equipment into an outlet on a circuit different from that to which the receiver is connected
- Consult the dealer or an experienced radio/TV technician for help.

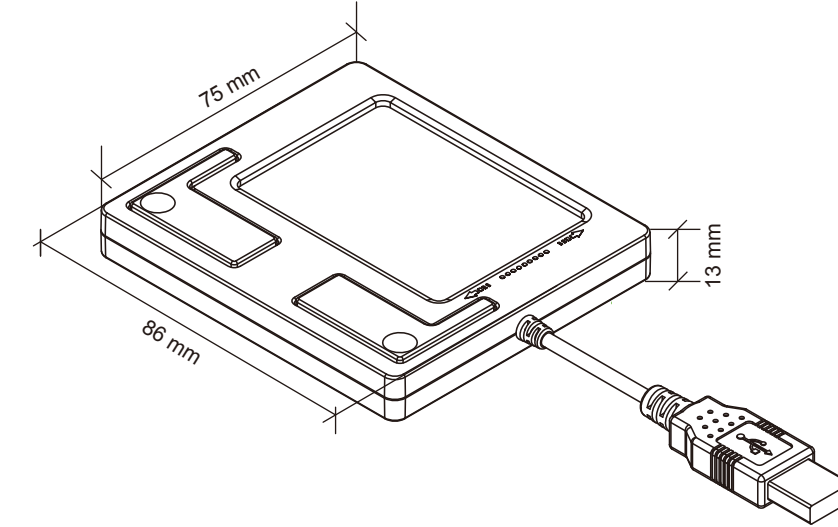
This device complies with Part 15 of the FCC Rules. Operation is subject to the following two conditions (1) This device may not cause harmful interference, and (2) this device must accept any interference received, including interference that may cause undesired operation.

FCC Radiation Exposure Statement:

- 1.This equipment complies with FCC radiation exposure limits ser forth for an uncontrolled environment. End users must follow the specific operating instructions for satisfying RF exposure compliance.
- 2.This transmitter must not be co-located or operating in conjunction with any other antenna or transmitter.

Important tip: After your keyboard connected with computer or IPAD, if you have 15 minutes not use it, then it will enter into dormant state, and at this moment the light of keyboard power crush out. If appear dormant state phenomenon, pls don't think your keyboard is broken, you just press the key and wait 3 seconds, your keyboard will put right.

3



4



Professional Wired Touchpad

Thank you for purchas with Perixx product. This touchpad has been designed for use in many different professional and industrial application. The compact design with pointing feature can provides added value with any equitment or individual.

With Plug & Play feature, this keyboard does not need a specific driver under Windows XP, Vista, 7, 8. Should you have any question about the installation or use with the keyboard and its application, please kindly contact us at info@perixx.com.

Feature	Description
Vertical Scroll	Tap the right margin of the touchpad up and down to perform the vertical scroll feature
Tap & Drag	Double click the object, and hold the 2nd click to perform the drag feature
Right Click	Tap the triangle area to perform the right click or press the right click button

5

