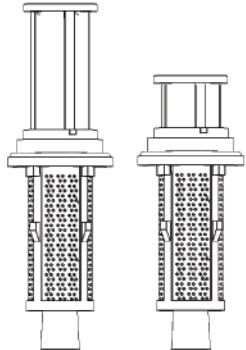


Increasing the intensity of suction power over time with the use of Biomat filter combines filtering technologies of suction stream sediment separator in the beginning of the suction Line

Always wear protective clothing when handling an used suction system & Before Opening Use Disinfection Material

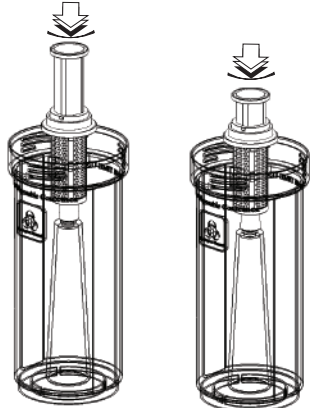
Internal filter should be selected depending on the type of work
A filter should be used with Standard work (Half filter)
B filter should be used when Working with amalgam or metals (long filter)



B **A**

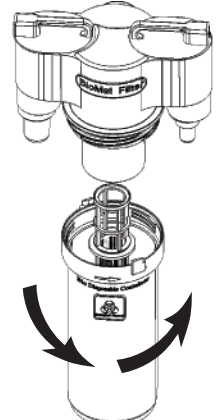
1

Connect the selected filter to the Canister by pushing the bottom of the filter Into the pin located in the center of the Canister



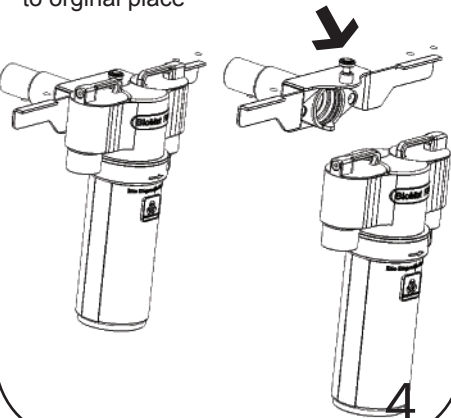
2

Connected the Canister to the filter body By half a turn counter-clockwise



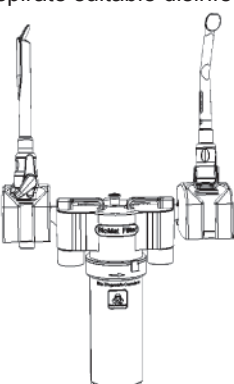
3

Pull up the security pin and then Insert the Biomat Filter into the spittoon Ensure that the security pin comes back to original place



4

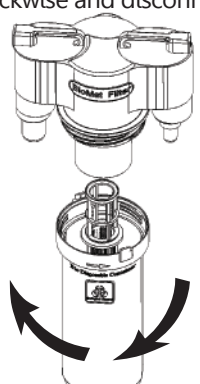
After each treatment aspirate one glass of cold water through the large and small suction hose. Each day before lunch-break, At the end of work day & after Surgery aspirate suitable disinfection



Leave the Suction to work Another 15 seconds after aspiration

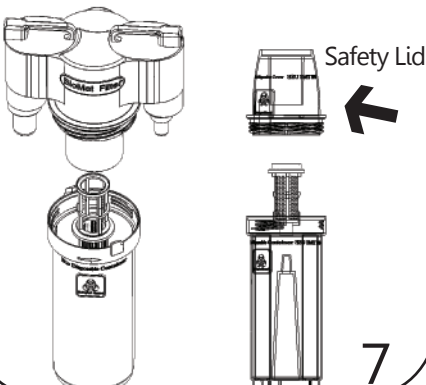
5

Filter replacement and cleaning Turn off the Suction (use gloves and goggles) And while the filter is connected to the spittoon has rotated the Canister half turn clockwise and disconnect it down



6


During transfer of the Canister to cleaning or storage. Seal the canister with a safety lid Connect a new Canister& new filter to body Avoid leaving the used canister without a lid be sure to keep it a safe place



Safety Lid

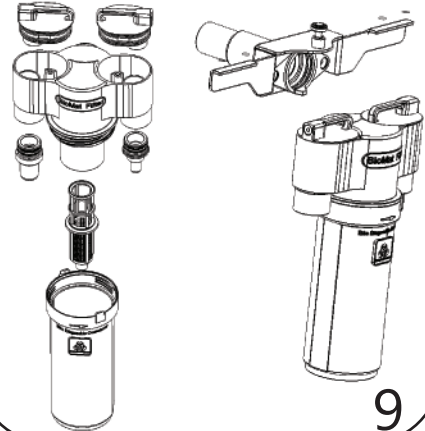
7

It is also possible to empty the Canister to Collection vessel, and clean the filter and the container and reassemble
 * Accordance to regulation if the Canister filled with Amalgam, the clinic must collect it, sewer drain is prohibited.



8

Once a week its recommended to disconnect the Biomat filter from spittoon disassemble the filter, clean & disinfectant



9