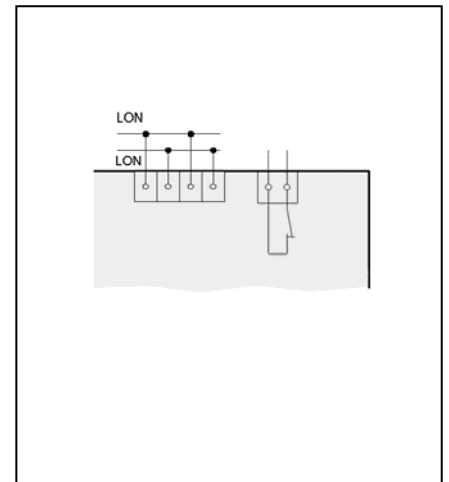
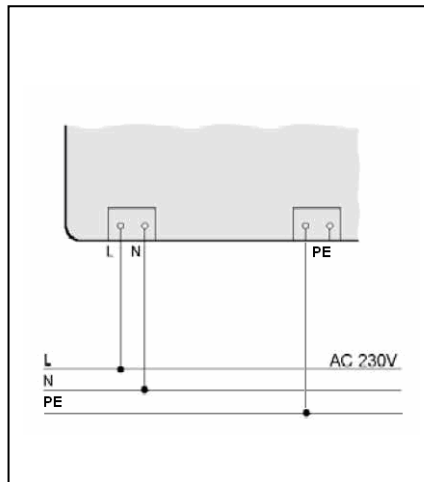




User Manual
LON Power Supply LPS133
Art. no. MTN884019

Content

1. **Description** 2
2. **Function**..... 3
3. **Mounting**..... 3
4. **Remarks**..... 4
5. **Technical Data**..... 5



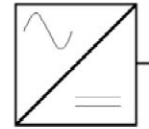
1. Description

- power supply for devices with Link Power Transceivers
- output current: max. 1.3 A (short-circuit- and overload-proof)
- adjustable bus terminator for free or line topology or without termination
- monitoring of the output current by relay contact (NC)
- supply voltage: AC 120 / 230 V
- mounting on DIN rail TH 35 according to EN 60 715
- width of device: approx. 180 mm (10 pitch)

2. Function

The power supply provides the energy for the devices with link power transceiver (LPT) connected to the corresponding network segment. Depending on the energy consumption of the individual nodes, up to 64 devices with LPT transceiver can be connected to the power supply.

The device outputs are short-circuit- and overload-proof. The bus power LED assigns the state of the output supply voltage.



For the network segment connected, an adjustable bus terminator for line or free topology networks is integrated. The configuration of the termination is done by a DIP-switch. The DIP-switch also provides a configuration to deactivate the termination.

The Power Supply is equipped with a reset button. By pushing this button for a time longer than two seconds the device no longer gives output voltage to the connected LON channel. By pushing again for longer than two seconds the device provides the supply voltage for the connected channel.

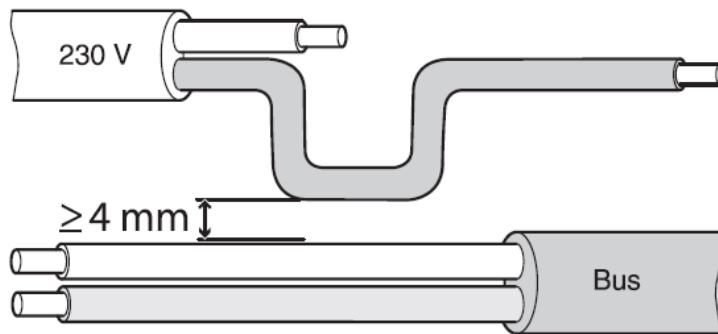
The device is equipped with a floating contact (normally closed) monitoring the output voltage. The contact will be open if the output voltage is no longer provided. The supply voltage for this contact is not provided by the device.

3. Mounting

The Power Supply has been designed for mounting on DIN rail TH 35 according to EN 60 715. The 120/230 V mains is connected via pluggable screw-type terminals for cross sections up to 1.5 mm² and the bus network is connected via pluggable screw-type terminals for a cross section up to 1.5 mm². The connection to functional earth (PE) is necessary for the function of the device.

!Warning:

Safety clearances according to DIN VDE 0110 Part 1 must be maintained. A clearance of at least 4 mm must exist between individual 230 V conductors and the bus cables.



!Danger to life due to electric current!

Always deactivate/remove the upstream fuses before working on the device.

4. Remarks

Electrical devices may only be fitted and mounted by a skilled person.

For planning and building electrical systems the relevant standards, guidelines, regulations and requirements of the particular country have to be considered. In addition to that, the device-specific instructions have to be considered as well.

For project planning, mounting and commissioning, detailed knowledge about the LON technology is assumed.

5. Technical Data

Power supply

Supply voltage: AC 120 V/60 Hz; AC230 V/50 Hz

Fuse: 3.15 AT, 230 V (internal)

Network interface

Rated output voltage : DC 40.6 .. 42.4 V according to LonWorks specification

Rated output current: 1.3 A (short-circuit- and overload-proof) at 230 V

1 A (short-circuit- and overload-proof) at 120 V

Output

Relay: normally closed contact, will open when the output voltage breaks

Nominal input voltage: AC/DC 42 V (SELV)

Operating interfaces

Reset button: by pushing for a time longer than 2 seconds the output voltage can be switched ON or OFF

Selector switch for termination: All OFF: no termination

1 and 2 ON, 3 and 4 OFF: termination for bus topology (110 Ohm)

1, 2 and 4 OFF, 3 ON: termination for free topology (55 Ohm)

Operating indicators

Bus power LED: lit: bus power all right

off: no bus power

Flashes 2x: bus power overload or short circuit (retry of reset)

Flashes 3x: device is overheated

Fast flashing: reset button was pressed

Connections

Mains: screw-type terminals for cross-sections of up to 1.5 mm²

Network: pluggable screw-type terminals for cross-sections of up to 1.5 mm²

Housing

Dimensions: 90 x 180 x 65 mm (H x W x D), 10 pitch

Protection class: IP 20

Environmental requirements

Operating temperature: +5 °C .. +40 °C

Max. humidity: 5 .. 93 % relative humidity without moisture condensation

EC guidelines

Low voltage guideline 2006/95/EEC

EMC guideline 2004/108/EEC