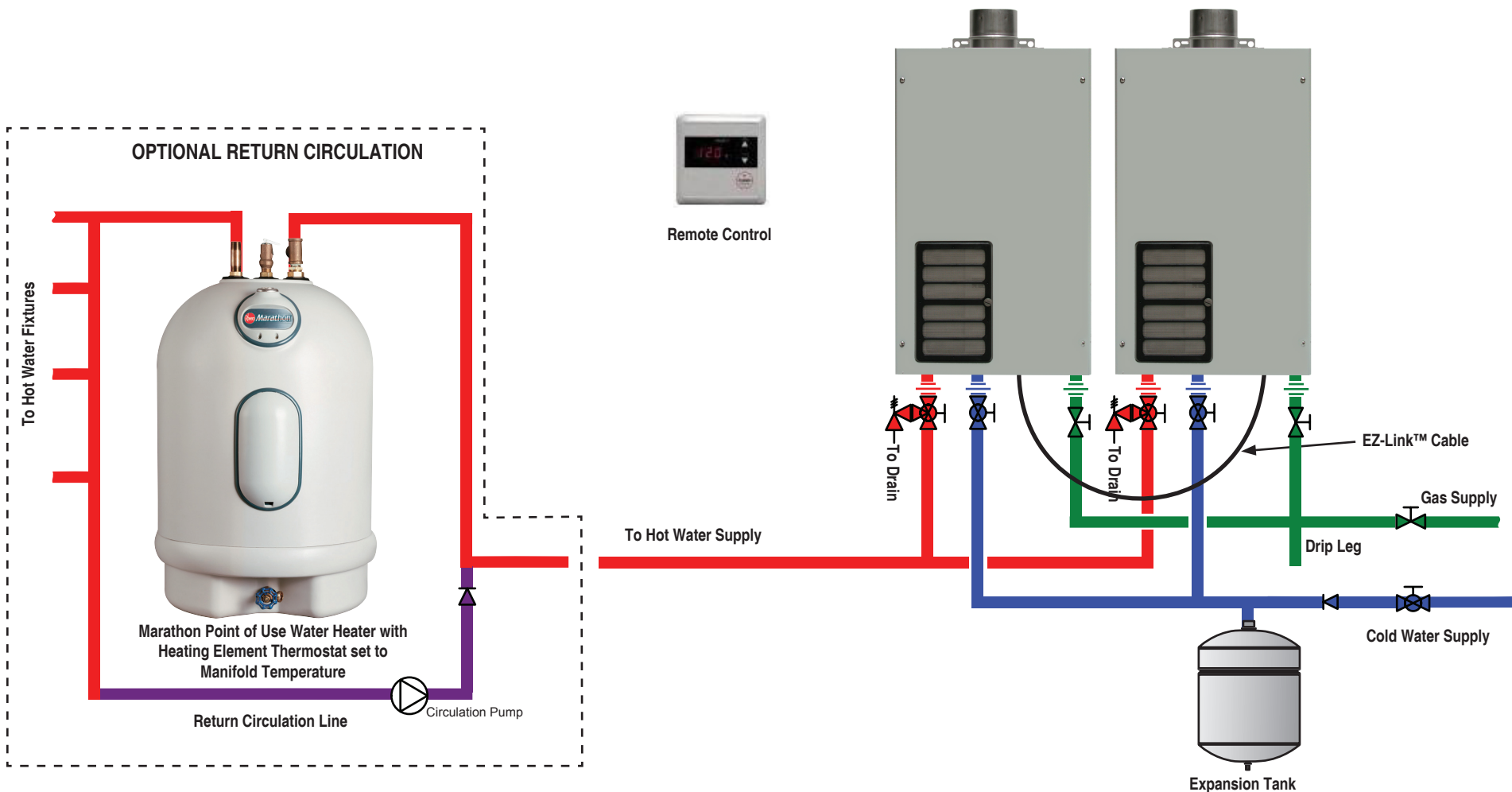


# Rheem Tankless Water Heaters • Preferred Piping Installations



## EZ-Link™ Manifold Installation With Optional Return Circulation

Drawing Number:	11132
Drawing Date:	August 2006
Drawing by:	SMT



### KEY

	Cold Water Isolator Valve Assembly		Pressure Relief Valve		Shut-off Valve		Gas Pipe Line		Cold Water Pipe
	Hot Water Isolator Valve Assembly		Check Valve		Circulation Pump		Union		Hot Water Pipe
									Return Circulation Line

### IMPORTANT

This drawing is intended as a guide only. It is not to be used as an alternative to a professionally engineered project drawing. This drawing does not imply compliance with local building codes. Installation may vary, depending on installation location, and must be done in accordance with all local building codes. Consult with local building officials prior to installation.