

NEW PRODUCT

Large-screen Panels for Any Occasion

Cutting-edge data processing and imaging technologies, attractive modern design and installation flexibility combine to provide reliable, highly functional displays for any venue



● Sleek Aluminum Bezel Framing

Aluminum is incorporated for the bezel framing, producing a stylish design that matches the interior and architecture of virtually any venue.

● Built-in Speakers (10W + 10W)

Each panel is equipped with two 10W speakers built into the display unit, providing audio without requiring the connection of external speakers.

● Enhanced Connectivity with DisplayPort

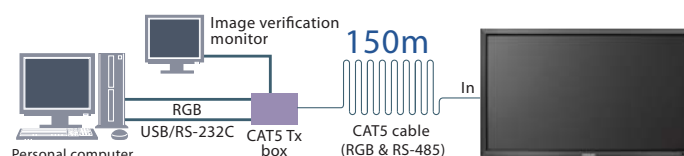
Application versatility is increased with the inclusion of a terminal enabling compatibility with next-generation standard DisplayPort. Transmission of images over a single cable up to 15 metres long is possible.

● RJ45 LAN Monitor Control

When connected to a LAN, monitors can be controlled and settings changed from a remote location, expanding installation possibilities.

● CAT5 Long Cable Capability (Option)

Optional CAT5 receiver and transmitter enable long cable connection of up to 150 metres without degrading picture quality.



55" LCD Display

LDT 55IV

Resolution
1920x1080
(Full HD)

Colours
1.06 billion

Brightness
500cd/m²

Contrast Ratio
5000:1

Viewing Angle
Up/Down 178°
Left/Right 178°

Response Time
8ms (Grey to Grey)

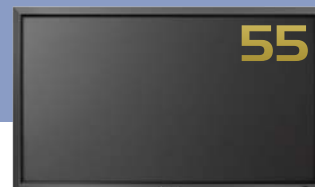
Options

Stand: **ST-461V**

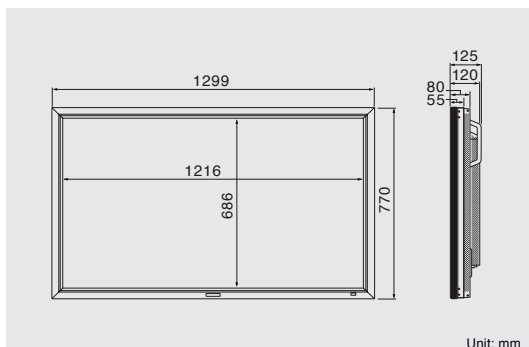
CAT5 Transmitter Box:
DP-2CA5-T

CAT5 Receiver Box:
DP-2CA5-R

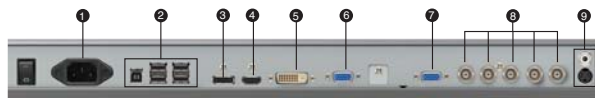
55" LCD Display LDT55IV



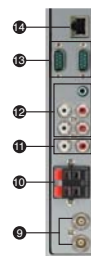
Dimensions



Connector Terminals



- Power in (3-pin, with earth terminal)
- USB hub
- RGB 6 in (DisplayPort)
- RGB 1 in (HDMI)
- RGB 2 in (DVI-D)
- RGB 3 in (mini D-sub 15-pin)
- RGB out (mini D-sub 15-pin)
- RGB 4 in DVD/HD in (BNC)
- Video I/O (BNC/S, RCA connectors)
- External speaker terminals
- Audio out (RCA)
- Audio in 1, 2, 3
- RS-232C (D-sub 9-pin)
- LAN connector
- Option slot



Specifications

Orientation		Landscape/Portrait
LCD module	Screen size (diagonal)	54.6" (1388mm)
	Panel type	VA
	Pixel pitch	0.630mm
	Resolution	1920 x 1080 (Full HD)
	Colour	Approx. 1.06 billion
Viewing area	Brightness (typ.)	500 cd/m ²
	Contrast ratio	5000 : 1
	Viewing angle (CR≥10)	Up/Down 178°, Left/Right 178°
Power management		8ms (Grey to Grey)
Plug-n-Play		1209 x 680mm (47.6" x 26.8")
Auto adjustment		VESA DPM
OSD user functions		VESA DDC2B, DDC/CI
Speaker/Audio output		Contrast, Position, Phase, Clock
		Brightness, contrast, black level, zoom, PiP, Screen saver, Side border colour, Gamma selection, black level expansion, heat status, power-on delay, schedule, tiling, CAT-5 control, LAN control, closed caption, Programmable LUT, etc.
Input/Output signal	Input connector (Analog)	External speaker jacks (7W + 7W) and internal speakers (10W + 10W typ.)
	Output connector (Digital)	Mini D-sub 15-pin, BNC (R, G, B, H, V) (PC/AV common)
	CAT5 input	HDMI (PC/AV common), DVI-D (with HDCP, PC/AV common), DisplayPort
	CAT5 output	Mini D-sub 15-pin
	Horizontal frequency	Modular 8-pin×1 providing RGB differential video and RS-485 control support. (Option)
	Vertical frequency	Modular 8-pin×1 providing RGB differential video and RS-485 control support. (Option)
	Video signal	15.625/15.734, 31.5-91.1kHz
	Sync signal	50, 58-85Hz
	Resolutions supported	Analog RGB, Digital: RGB
	Input connector (Analog)	Analog: separate (TTL), composite (TTL), Sync-on-Green, Digital: TMDS
AV Input/Output	Output connector (Digital)	640 x 480, 800 x 600, 1024 x 768, 1280 x 768, 1360 x 768, 1280 x 1024, 1600 x 1200, 1920 x 1080, 1920 x 1200 (1600 x 1200, 1920 x 1200 simplified compression)
	Input connector (Analog)	Composite video <BNC, RCA>, S-terminal, BNC(Y/Pb/Pr; PC/AV common)
	Output connector (Digital)	HDMI (PC/AV common), DVI-D (with HDCP, PC/AV common)
	Resolutions supported	Analog: composite video <BNC>
Audio Input/Output	Input connector (Analog)	Composite signal/S-terminal: NTSC, PAL, SECAM, 4.43 NTSC, PAL60
	Output connector (Digital)	Component signal: 480i, 480p, 576i, 576p, 720p, 1080i, 1080p
Control Input/Output	Input connector (Analog)	RCA pin-jacks x 2 (L/R), stereo mini jack
	Output connector (Digital)	HDMI x 1
USB hub	Input connector (Analog)	RCA pin jacks (L/R)
	Output connector (Digital)	HDMI x 1
Power Supply	Input connector (Analog)	RS-232C <D-sub 9-pin>, LAN <modular 8-pin>
	Output connector (Digital)	RS-232C <D-sub 9-pin>
	Consumption in economy mode	Self-powered hub: 1 upstream/4 downstream/USB2.0 compliant
Dimensions (W x H x D)	Voltage, Current	AC100-240V, 50/60Hz
	Consumption	344W(322W w/o speakers)
	Consumption in economy mode	Sleep mode: Less than 1W Power switch off: Less than 1W Main power switch off: 0W
Weight	Net	1299 x 770 x 125mm (51.1"x30.3"x4.9")
	Gross	1474 x 938 x 346mm (58"x36.9"x13.6")
Wall mounting interface		Approx. 39.9kg / 88.0lbs
Regulation/Guideline compliance		Approx. 50.6kg / 111.6lbs
Accessories		8 holes, M8 screws (200mm (7.9") pitch) for monitor, 4 holes x 2 sets, M4 screws (100mm (4.0") pitch) for SBC, Signage player mounted on monitor
		UL60950-1/C-UL/CE Marking/BSMI/GOST-R/FCC-B/DOC-B/C-Tick/ RoHS/US Mercury/Energy Star/CCC only for Chinese model
		Power cord, signal cable (mini D-sub 15-pin to mini D-sub 15-pin cable), User's Manual, remote control, batteries, clamps (for power cord and HDMI cable), etc.

The display size stated in flyer copy is rounded off to a whole number. The actual size is listed in the Specifications chart.

MITSUBISHI ELECTRIC EUROPE (BENELUX Office)

Nijverheidsweg 23A, 3641 RP Mijdrecht - The Netherlands
Tel: +31 (0)297-282461 Fax: +31 (0)297-283936 - www.MitsubishiElectric.nl

- All information contained herein may be changed without prior notice.
- HDMI, ~~HDMI~~ and High-Definition Multimedia Interface are trademarks or registered trademarks of HDMI Licensing, LLC in the United States and other countries.
- Other brand, product, and service names are trademarks or registered trademarks of the respective companies.
- Products in this flyer do not imply that Mitsubishi Electric Corporation intends to have them available in all countries where Mitsubishi Electric Corporation and its subsidiaries operate.
- Photographs are simulated images.

for a greener tomorrow



Revised publication, effective April 2011.
Superseding publication X-X00-0-00000-X XXX. 2011
Specifications are subject to change without notice.