

**TS-AKT4 Family
USER'S MANUAL
AMD Duron/Athlon Motherboard**

Transcend

***Your Supplier, Your Partner,
Your Friend.***

TS-AKT4 Family

TS-AKT4 Family Motherboard

Supporting AMD Duron/Athlon Socket A CPU
200/266 MHz Front Side Bus Frequency
AGP 4X

VIA® KT133/KT133A Family Chipset

Welcome!

Congratulations on your purchase of this great value motherboard with its range of special features and innovative onboard functions, built around the advanced architecture of the new VIA® KT133/A Family Chipset. More details will follow later in this manual.

Our Website

Please come and visit our website at: <http://www.transcendusa.com/>. You'll find plenty of interesting information about this and many other quality Transcend products.

Your User's Manual

This User's Manual is designed to help end users and system manufacturers to setup and install the motherboard. All of the information within has been carefully checked for accuracy. However, Transcend Information, Inc. (hereinafter referred to as "Transcend") bears no responsibility or liability for any errors or inaccuracies which this manual may contain. This includes references to products and software. In addition, the information and specifications are subject to change without prior notice.

Disclaimer

Transcend provides this manual "as is" without any warranty of any kind, either expressed or implied, including, but not limited to, conditions of merchantability or fitness for a particular purpose. Transcend, its management, employees, distributors and agents are in no way liable for any indirect special, incidental or consequential damages, including loss of profits, loss of business, etc. This freedom from liability remains in effect even if Transcend has been advised of the possibility of such damages arising from any defect or error in this manual or product.

Trademarks

All brands, product names and trademarks mentioned in this document are the property of their respective owners or companies and are used solely for identification or explanation. It is Transcend policy to respect all product rights.

Copyright

This manual may not, in whole or in part, be photocopied, reproduced, transcribed, translated or transmitted, in whatever form or language, without the prior written consent of the manufacturer, except for copies retained by the purchaser for personal archiving purposes.

Manual Version: 2.2

Release Date: July, 2001

Copyright © 2001 Transcend Information, Inc.

ezBIOS—Motherboard Shield and Upgrade Utility

ezBIOS—One Click is All it Takes!

Transcend is proud to inform you that your new motherboard comes with **ezBIOS** from Transcend. This BIOS updating program developed by Transcend will make BIOS updating easy, and enhance the security and stability of systems built with your Transcend motherboard.

ezBIOS Features:

- Anti-Virus BIOS Protection – Transcend’s motherboards come with a new hardware monitoring function that can prevent any unauthorized BIOS updating caused by viruses. Only **ezBIOS**, the BIOS updating program developed by Transcend, can update a Transcend motherboard.
- BIOS Updating Confidence – Beyond preventing viruses, **ezBIOS** allows BIOS updating with confidence. In the past, any failure or incorrect operation during BIOS updating could crash the whole system. Normally the user wouldn’t have the capability to retrieve and reestablish the system, they could only return the computer to the supplier for costly, time-consuming repairs. With the enhanced security of **ezBIOS**, Transcend’s motherboards can completely avoid these problems. No matter what happens during BIOS updating, the user’s system can still boot from the floppy drive, allowing the updating command to be executed again.
- One-Click, On-Line BIOS Updating – For users of Windows 95/98, **ezBIOS** allows you to use Transcend’s innovative on-line updating technology. Just one click can detect the BIOS version of your system, download the latest version, and execute all the updating commands automatically from the Internet. Restarting the computer completes the BIOS updating. This feature should be very handy for users who need to update BIOS repeatedly, especially MIS staff. The on-line updating program is included on the drivers CD-ROM included in the box with your motherboard. Following the step-by-step instructions, you can easily update or backup your BIOS. (If you have a different OS, see “Chapter 4 BIOS Upgrade” for your BIOS updating procedure.)
- Linear Overclocking – **ezBIOS** also provides a linear overclocking function. Users can fine-tune the Front Side Bus (FSB) by increasing or reducing it by as little as 1.0MHz to find the optimum FSB setting for the system. (For details see “Frequency/Voltage Control” in Chapter 3.) Should the FSB be set too high, the system can be returned to the default setting by pressing the “INS” key.

TS-AKT4 Family

Table of Contents

CHAPTER 1 INTRODUCTION	1
1.1 Essential Handling Precautions	1
1.2 Checklist: Hardware Required for Setup	2
1.3 Package Contents	3
1.4 Specifications and Features	3
CHAPTER 2 HARDWARE INSTALLATION	5
2.1 Layout of Transcend TS-AKT4 Family Motherboard	5
2.2 CPU Installation	6
2.3 100/133 MHz System Configuration	8
2.4 CPU Frequency Ratio Setting	9
2.5 Memory Configuration	10
2.6 Primary/Secondary IDE Connectors	11
2.7 Floppy Disk Drive Connector	12
2.8 Fan Power Connectors	12
2.9 Wake-on-LAN Connector	13
2.10 IrDA-Compliant Infrared Module Connector	13
2.11 Panel Connectors	14
2.12 Power Connector	15
2.13 External Back Panel I/O Ports	16
2.14 Using Jumper JP5 to Clear CMOS	17
2.15 Onboard Audio CODEC Setting	18
2.16 Internal Audio Connectors	19
2.17 Internal USB Port Connector	20

CHAPTER 3 BIOS SETUP	21
3.1 BIOS Setup	21
3.2 The Main Menu	21
3.3 Standard CMOS Features	23
3.4 Advanced BIOS Features	26
3.5 Advanced Chipset Features	29
3.6 Integrated Peripherals	33
3.7 Power Management Setup	37
3.8 PnP/PCI Configuration Setup	42
3.9 PC Health Status	44
3.10 Frequency/Voltage Control	44
3.11 Load Fail-Safe Defaults	45
3.12 Load Optimized Defaults	46
3.13 Supervisor Password	47
3.14 User Password	48
3.15 Save & Exit Setup	49
3.16 Exit Without Saving	49
CHAPTER 4 BIOS UPGRADE	50
4.1 How to Check Your BIOS File Name and Version	50
4.2 Download the Correct BIOS File from Our Web Site	50
4.3 How to Upgrade Your Motherboard BIOS	51

CHAPTER 1 INTRODUCTION

1.1 Essential Handling Precautions

IMPORTANT. Read this page before unpacking your motherboard!

- **Power Supply**

Be careful! Always ensure that the computer is disconnected from the power supply when working on the motherboard and its components. The GREEN LED indicates that the power connector is attached and the system is in Standby status. Stand by-power is supported when the GREEN LED is lit.

- **Static Electricity**

Static electricity may cause damage to the delicate integrated circuit chips on your motherboard. Before handling the motherboard outside of its protective packaging, ensure that there is no static electric charge in your body. A static discharge strong enough to damage computer components is not perceptible by a human. Observe these precautions while handling the motherboard and other computer components:

1. If possible, wear an anti-static wrist strap connected to a natural earth ground.
2. Touch a grounded or anti-static surface, or a metal fixture such as a pipe or the chassis of your system, before touching the motherboard.
3. When you have removed the motherboard from its anti-static packaging, try to hold it only by the edges, without touching any components.
4. Avoid contacting the components on add-on cards, motherboards, and modules with the gold-colored connectors which plug into the expansion slots.
5. Handle system components only by their mounting brackets.
6. Keep components which are not connected to the system in their anti-static packaging whenever possible.

- **Battery Replacement**

The battery which holds the system settings memory (CMOS RAM) on your motherboard should not require replacement for at least five years, and probably much longer. In picture 2.2, it is located towards the lower edge of the motherboard. Incorrect computer time and/or loss of time may indicate a weak motherboard battery. Please replace your battery only with the same type, or a similar type recommended by the battery manufacturer. If the battery is replaced incorrectly, there is a risk of a short circuit or explosion. Used batteries should be disposed of in accordance with the manufacturer's instructions and local environmental regulations.

- **Electric Screwdrivers**

To reduce the risk of damage to the motherboard due to excessive torque, avoid setting electric screwdrivers above 7.5 kg/cm.

1.2 Checklist: Hardware Required for Setup

It is advisable to have all of these items of hardware available before you unpack your motherboard from its anti-static packaging and start building your system.

- Computer Case and Chassis with Appropriate Power Supply (300W Recommended)
- Monitor
- Socket A Central Processing Unit (CPU)
- DIMM Memory Module(s)
- PS/2 or USB Keyboard
- PS/2 or USB Mouse
- Hard Disk Drive (HDD)
- Floppy Disk Drive (FDD)
- CD-ROM Drive
- External Peripherals (Optional): Printer, Speakers, Plotter, Modem
- Internal Peripherals (Optional): Modem, LAN Card
- 1 x FDD Cable
- 1 x Ultra DMA/66 cable

1.3 Package Contents

This motherboard package should contain the following items. Please check them as soon as you unpack the box. If you find any damaged or missing items, please contact your retailer.

- TS-AKT4 Family Motherboard
- 1 x CD-ROM
- User's Manual
- 1 x External USB Connector (optional)

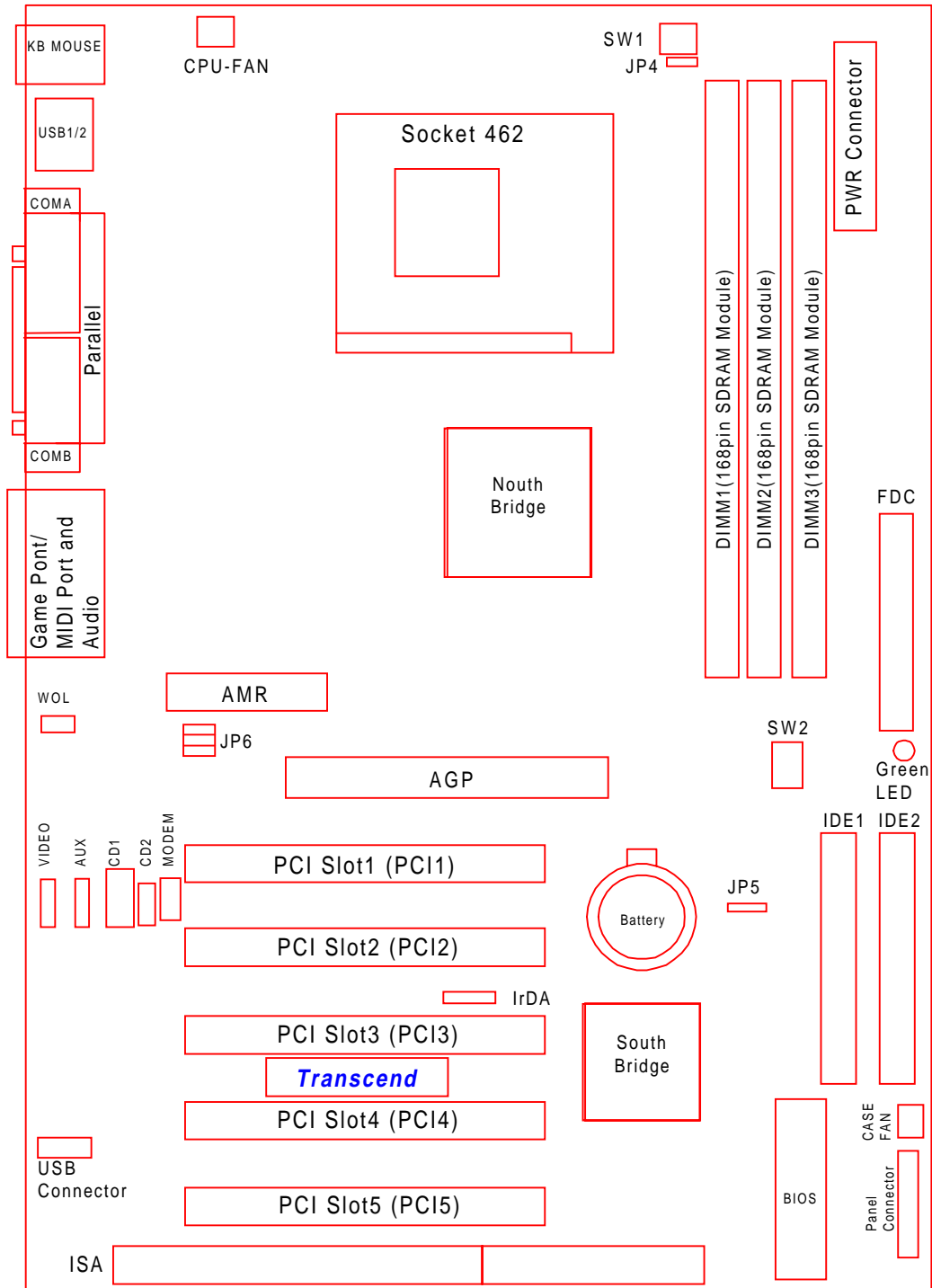
1.4 Specifications and Features

- **CPU**
 - Supports AMD Duron/Athlon 550MHz~1G+Hz Socket A CPU
 - **Chipset**
 - TS-AKT4: VIA KT133/686A
 - TS-AKT4/B: VIA KT133/686B
 - TS-AKT4/A: VIA KT133A/686B
 - TS-AKM4: VIA KM133/686A
 - TS-AKM4: VIA KM133/686A
 - TS-AKM4/B: VIA KM133/686B
 - **DRAM Memory**
 - Supports Synchronous DRAM
 - 3 x 168pin DIMM Module Sockets On Board
 - Up to 1.5GB Memory Capacity
 - 8/16/32/64/128/256/512MB SDRAM, VCM
 - PC100/PC133/VCM133 SDRAM Compliant
 - **I/O BUS Slot**
 - 1 x AGP Slot
 - 5 x Master/Slave PCI Slots (PCI 2.2 Compliant)
 - 1 x ISA Slot
 - 1 x AMR Slot (Shared with ISA Slot)
 - Supports PS/2 or USB Mouse and PS/2 or USB Keyboard
-

- Supports IrDA Port
- Supports 4 Universal Serial Bus (USB) Ports (USB V1.1 Standard)
- **I/O Functions**
 - Supports PIO Mode 3, 4 ATAPI Devices and Ultra DMA33/66/(100 for 686B Only)
 - Supports 2 High Speed UART 16550 COM Ports
 - Supports SPP/EPP/ECP LPT Port
 - Supports 1.44/2.88 MB FDDs
 - Supports S3 Savage 4 (TS-AKM4 Only)
 - Supports Line-Out, Line-In and MIC-In Jacks
 - Supports Game/MIDI Port
- **Award BIOS**
 - Supports Plug-and-Play, PC99
 - Supports ACPI, APM, DMI and Green Features
 - Easy BIOS Recovery
- **Wake-Up Features**
 - Supports Wake-on-LAN Function
 - Remote Ring Wake-Up
 - Time Wake-Up
- **PCB Dimensions**
 - ATX Form Factor, 4-Layer PCB, 21.3cm x 30.5cm (8.4 inch x 12 inch)
- **Switching Voltage Regulator**
 - VRM 9.0 Compliant
- **Other Features**
 - Year 2000 Compliant
 - Anti-Virus Boot-Up
 - System Voltage Monitoring for CPU Vcore, +2.5V, +3.3V, +5V and +12V

CHAPTER 2 HARDWARE INSTALLATION

2.1 Layout of Transcend's TS-AKT4 Family



2.2 CPU (Central Processing Unit) Installation

So far you have familiarized yourself with the handling precautions; checked that you have all of the necessary hardware for building your system; inspected the motherboard package contents; and, looked at the layout of the motherboard. This chapter will take you step-by-step through the process of installing the different hardware devices onto it.

Caution!

1. **Remember to always make sure the system power is off before installing or removing any devices. Check the Power Indicator LEDs near the lower edge of the motherboard as shown in Fig. 2.1 Layout of Transcend's TS-AKT4 Family.**
2. **Don't forget the static electricity precautions. (See Section 1.1.)**
3. **Be careful! Incorrectly inserting hardware onto your motherboard can permanently damage the motherboard.**

The motherboard has a ZIF Socket A to house the CPU. A CPU fan is necessary to prevent overheating of the CPU. If there is no fan installed on the CPU, you must purchase one and install it before you turn on your system.

Warning! CPUs generate tremendous heat while operating. Make sure to install a CPU fan with enough heat-dissipation grease to cover the CPU die before powering up the computer. Never run the processor without the heatsink properly and firmly attached.

PERMANENT DAMAGE COULD RESULT!

Please follow the steps below to install the CPU:

Step 1:

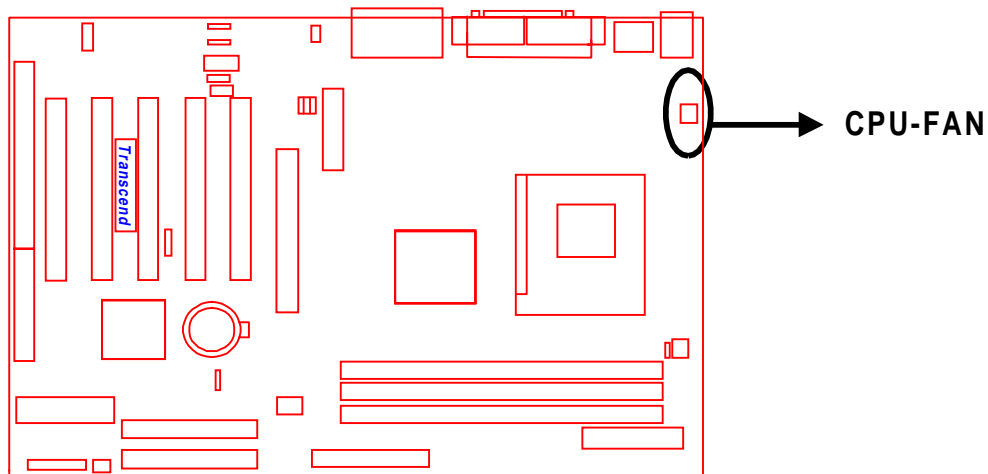
To install the CPU, first, turn off your system and remove its cover. Locate the ZIF socket and open it by first pulling the lever sideways away from the socket then upwards at a 90-degree right angle. Insert the CPU in the correct direction, smear the heat dissipation grease over the CPU die, then put a CPU fan on to cover the face of the CPU. With the added weight of the CPU

HARDWARE INSTALLATION

fan and the CPU properly oriented, no force is required to insert the CPU. Once completely inserted, close the socket's lever while holding down the CPU.

Step 2:

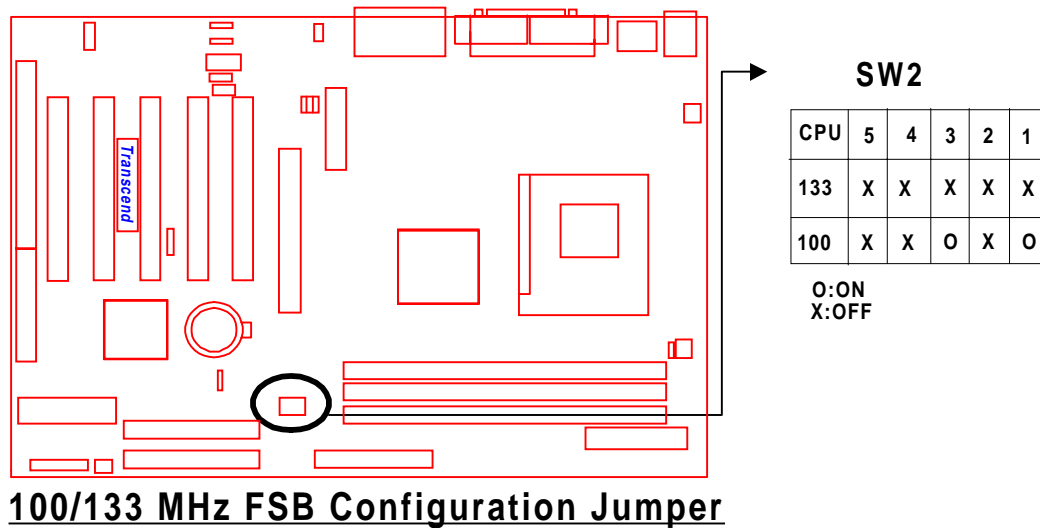
Connect the CPU fan's power cable to the CPU-FAN connector indicated on the diagram below. Ensure that the cable is connected correctly! It will be obvious which way it should fit.



CPU Installation

2.3 100/133 MHz System Configuration

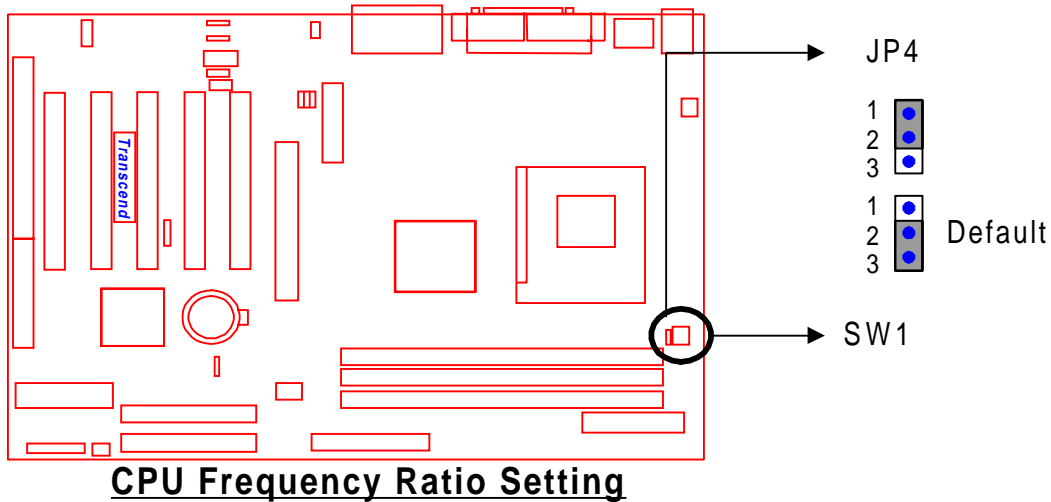
SW2 allows you to set the FSB (Front Side Bus) for 100 or 133 MHz Configuration (133MHz for AKT4/A).



2.4 CPU Frequency Ratio Setting (JP4,SW1)

For Athlon4 CPU, set **JP4** to 1-2 and set SW1 to correct frequency.

For Athlon/Duron CPU, set **JP4** to 2-3 and set SW1 to correct frequency.



SW1

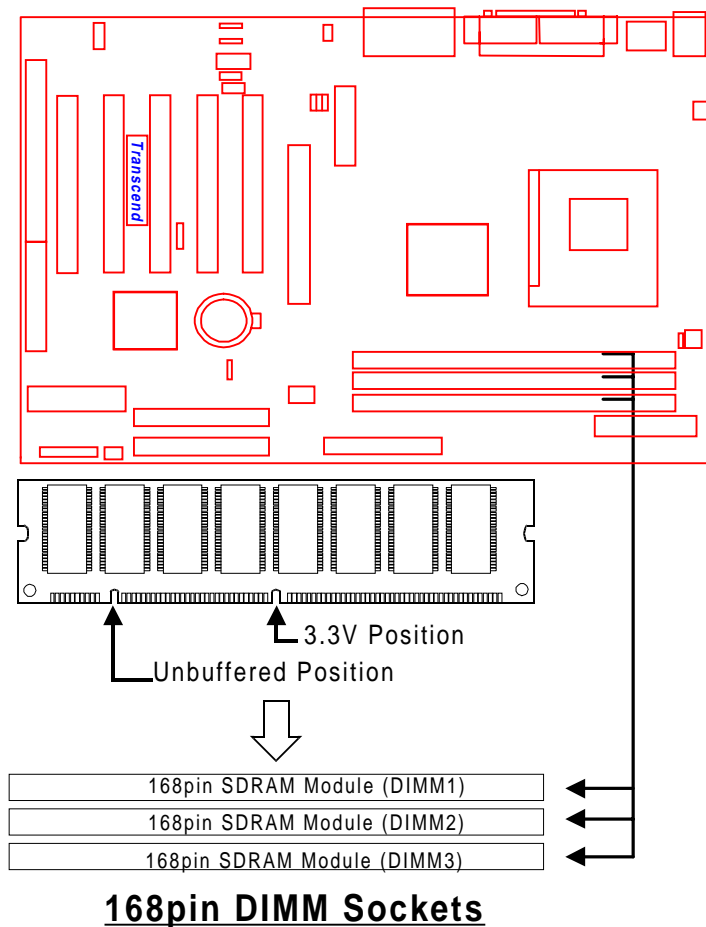
FSB=100MHZ		1	2	3	4
600	x6	ON	OFF	OFF	ON
650	x6.5	ON	OFF	OFF	OFF
700	x7	OFF	ON	ON	ON
750	x7.5	OFF	ON	ON	OFF
800	x8	OFF	ON	OFF	ON
850	x8.5	OFF	ON	OFF	OFF
900	x9	OFF	OFF	ON	ON
950	x9.5	OFF	OFF	ON	OFF
1000	x10	OFF	OFF	OFF	ON
1050	x10.5	OFF	OFF	OFF	OFF
1100	x11	ON	ON	ON	ON
1150	x11.5	ON	ON	ON	OFF
1200	x12	ON	ON	OFF	ON
>=1250	>=12.5	ON	ON	OFF	OFF
FSB=133MHZ		1	2	3	4
1000	x7.5	OFF	ON	ON	OFF
1066	x8	OFF	ON	OFF	ON
1133	x8.5	OFF	ON	OFF	OFF
1200	x9	OFF	OFF	ON	ON
1266	x9.5	OFF	OFF	ON	OFF
1333	x10	OFF	OFF	OFF	ON
1400	x10.5	OFF	OFF	OFF	OFF
1466	x11	ON	ON	ON	ON
1533	x11.5	ON	ON	ON	OFF
1600	x12	ON	ON	OFF	ON
1666	x12.5	ON	ON	OFF	OFF

2.5 Memory Configuration

This motherboard must be installed with DIMMs (Dual Inline Memory Modules). The DIMMs must be 3.3 Volt synchronous DRAM modules (SDRAM). The VIA KT 133 chipset supports PC100, PC133 and Virtual Channel Memory (VCM). It also supports ECC (Error Checking and Correcting) modules. You can install memory in any combination of capacities as follows:

DIMM Location	168pin DIMM
DIMM1	SDRAM 8, 16, 32, 64, 128, 256, 512MBytes
DIMM2	SDRAM 8, 16, 32, 64, 128, 256, 512MBytes
DIMM3	SDRAM 8, 16, 32, 64, 128, 256, 512MBytes
Total Memory	1.5GBytes (max.)

NOTE: Different types of DRAM modules (eg. PC100 and PC133 DIMMs) should not be installed on one motherboard at the same time.

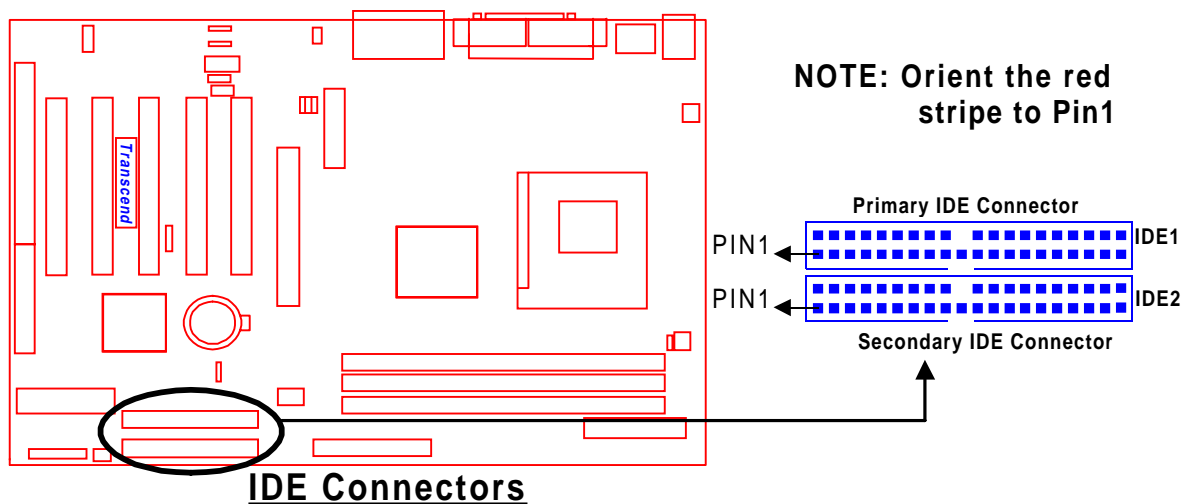


2.6 Primary/Secondary IDE Connectors (Two 40-pin IDE)

This mainboard supports two 40-pin IDE connectors marked as IDE1 (primary IDE channel) and IDE2 (secondary IDE channel). Each channel supports two IDE devices for a total of four devices. Connect your HDD (the main one if you are using more than one) to the “Master” connector (at the end of the cable) and connect it to IDE1 (see important note below). If your HDD supports UltraDMA/66, you must use an 80-wire cable, otherwise the HDD won’t be able to reach this speed.

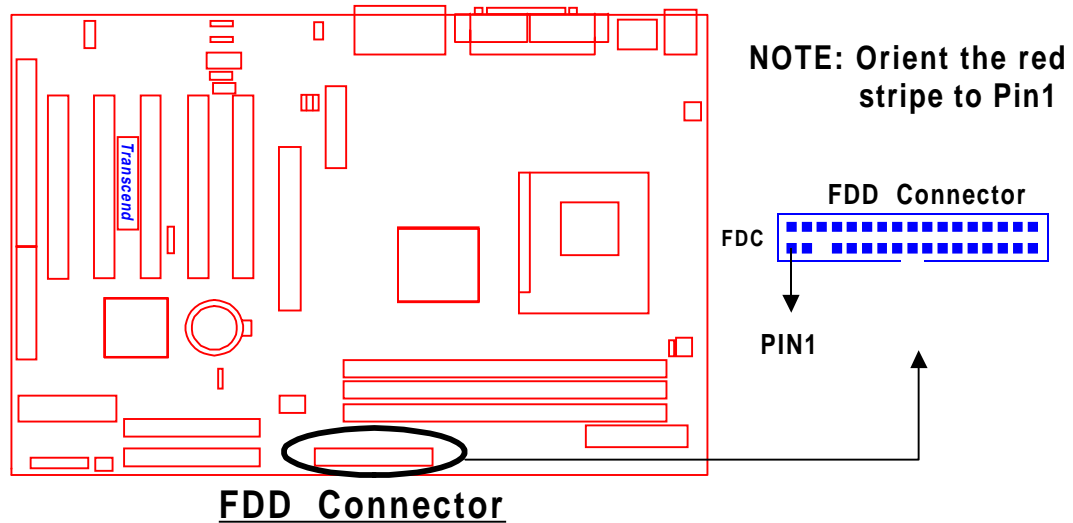
If you intend to operate two IDE devices from the same channel, one device must be set to “Master” mode, the other to “Slave” mode. HDDs, CD ROMs or other IDE devices can have either setting, depending on the device’s jumper setting. Please refer to the device’s manual for more information.

NOTE: The connectors must be attached to the IDE channels in the correct direction. Make sure that the red stripe on one edge of the ribbon cable (this may be faint and could also be a dotted line) is nearest to PIN1 (on the left as the motherboard is shown in the picture below).



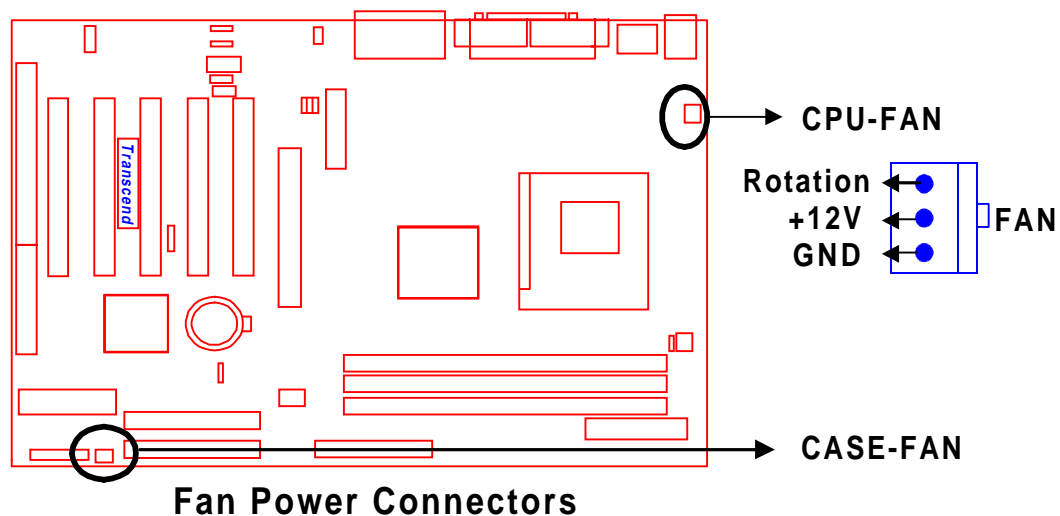
2.7 Floppy Disk Drive Connector (34-pin FDC)

This connector supports the provided FDD ribbon cable. After connecting the single end to the motherboard, connect the two plugs on the other end to the FDD(s).



2.8 Fan Power Connectors

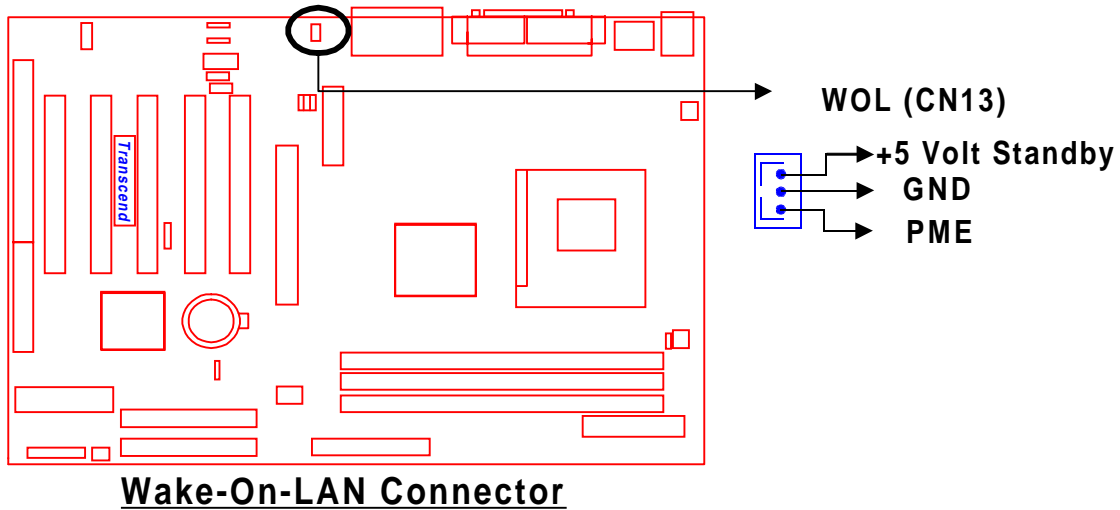
There are two fan power connectors on the motherboard: the CPU-FAN and the CASE-FAN. Each connector provides +12V power. Ensure fan power cables are connected in the right orientation, or they may cause damage. These connectors support cooling fans of 500 mA (6W) or less.



2.9 Wake-on-LAN Connector (3-pin WOL)

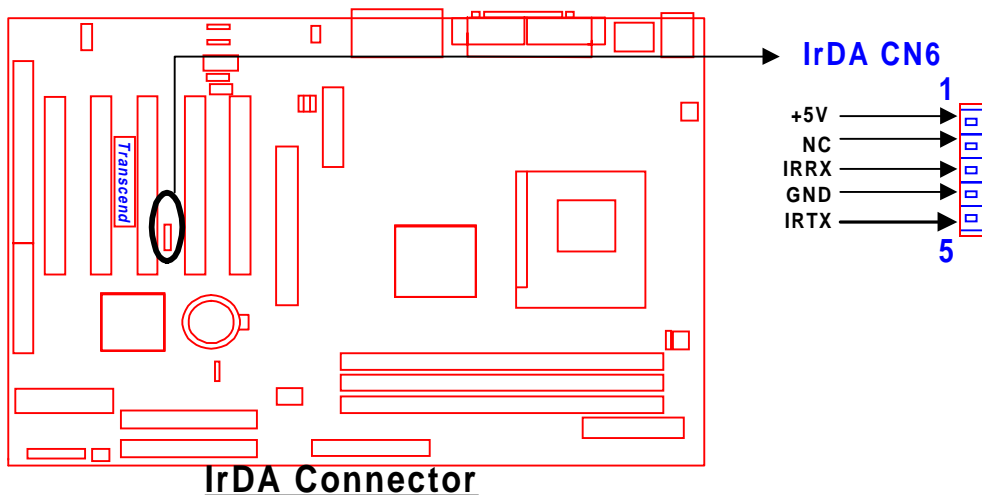
This connector connects to LAN cards with a Wake-on-LAN output. The system can Power-up when a wake-up packet or signal is received from the LAN card.

NOTE: This function requires that the “LAN Wake-Up” function in the **POWER MANAGEMENT SETUP** in BIOS is set to “Enabled” and that your system has an ATX power supply with at least 720mA +5V standby power.

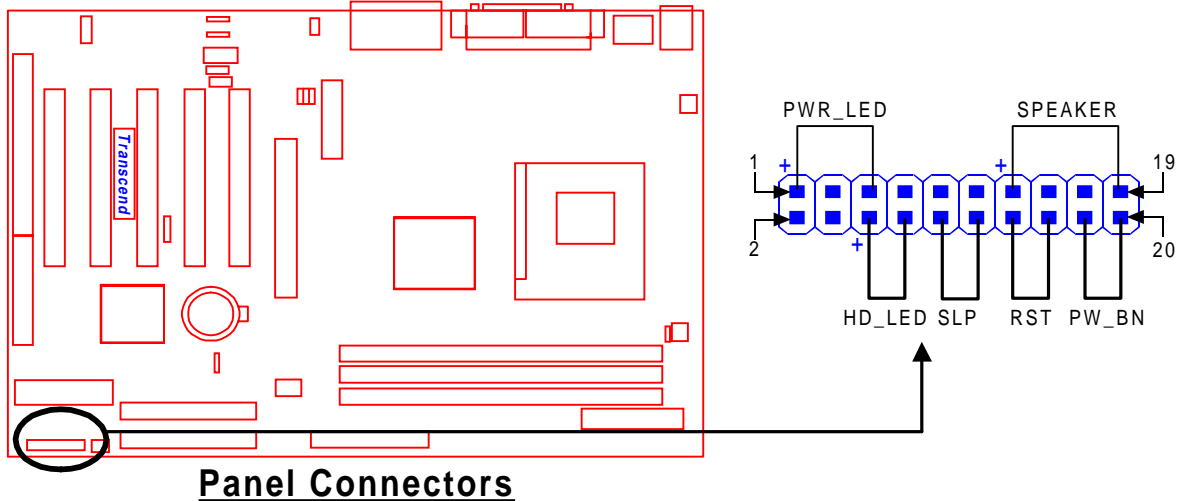


2.10 IrDA-Compliant Infrared Module Connector (5-pin IrDA)

The IrDA connector can be configured to support a wireless infrared module. With this module and application software such as Laplink or Win95 Direct Cable Connection, the user can transfer data to/from laptops (notebooks), PDAs and printers.



2.11 Panel Connectors



Power LED (3-pin PWR_LED)

This 3-pin connector attaches to the power LED.

- Pin1: +5V
- Pin3: NC
- Pin5: GND

Speaker (4-pin SPEAKER)

This 4-pin connector connects to the case-mounted speaker.

- Pin13: +5V
- Pin15: GND
- Pin17: NC
- Pin19: SPK

Hard Disk LED (2-pin HD_LED)

This 2-pin connector connects to the LED of the hard disk drive (HDD). This LED lights up when an HDD is active.

- Pin 6: +5V
- Pin 8: GND

Sleep Button (2-pin SLP)

Pin10: SLEEP
Pin12: GND

Reset Switch (2-pin RST)

This 2-pin connector connects to the case-mounted reset switch for rebooting your computer without turning off your power switch.

Pin14: RESET
Pin16: GND

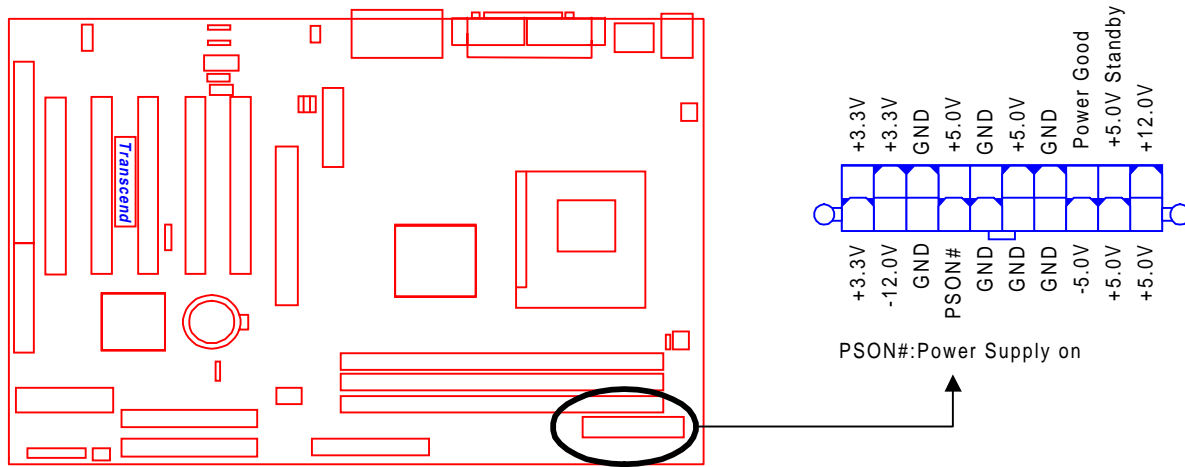
Software Power-Off (2-pin PW_BN)

Attach the PW_BN Switch of the panel to this connector.

Pin18: PW-BN
Pin20: GND

2.12 Power Connector (20-pin PWR-CONN)

Make sure to plug into the ATX power supply connector in the right direction. The pin definition is shown below. Make sure that your ATX power supply can support at least 720mA on standby.



Power Connectors

2.13 External Back Panel I/O Ports

There are 9 kinds of external connectors on the motherboard. **The view in the drawing shown on the top of the next page is the back panel of the motherboard housing.**

1. PS/2 Mouse Port (Green, 6-pin MOUSE)

The onboard PS/2 Mouse port is a 6-pin Mini-Din connector marked “MOUSE”

2. PS/2 Keyboard Port (Purple, 6-pin KB)

The onboard PS/2 Keyboard port is a 6-pin Mini-Din connector marked “KB”.

3. Universal Serial Bus (USB) Ports 1 & 2 (Black, two 4-pin USBs)

You can attach USB devices to the USB ports. The motherboard contains two 4-pin USB ports, which are marked as “USB”. (USB Ports 3 & 4 are onboard connectors with a 2x5 Header)

4. Parallel Port (Burgundy, 25-pin PRN)

The onboard printer port is a 25-pin D-type connector marked “PRN”.

5. Serial Ports (Turquoise, two 9-pin COMA/COMB)

The onboard serial ports are 9-pin D-type connectors on the back panel of the motherboard. Serial port 1 is marked as “COMA”. Serial port 2 is marked as “COMB”.

6. Game Port/MIDI Port (Gold 15-pin GAME)

The onboard Game Port/MIDI Port is a 15-pin D-type connector marked “GAME”.

7. Line_out (Lime Green 1/8” LINE_OUT)

The onboard Line_out connector is a 1/8” stereo audio jack marked “LINE_OUT”.

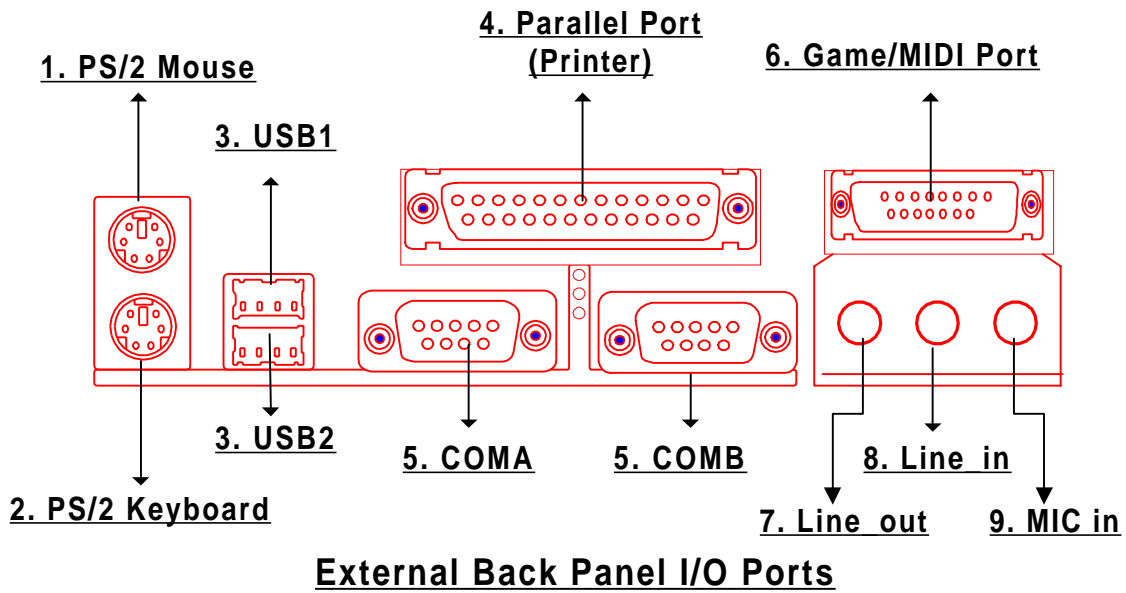
8. Line_in (Light blue 1/8” LINE_IN)

The onboard Line_in connector is a 1/8” stereo audio jack marked “LINE_IN”.

9. MIC_IN (Pink 1/8” MIC_IN)

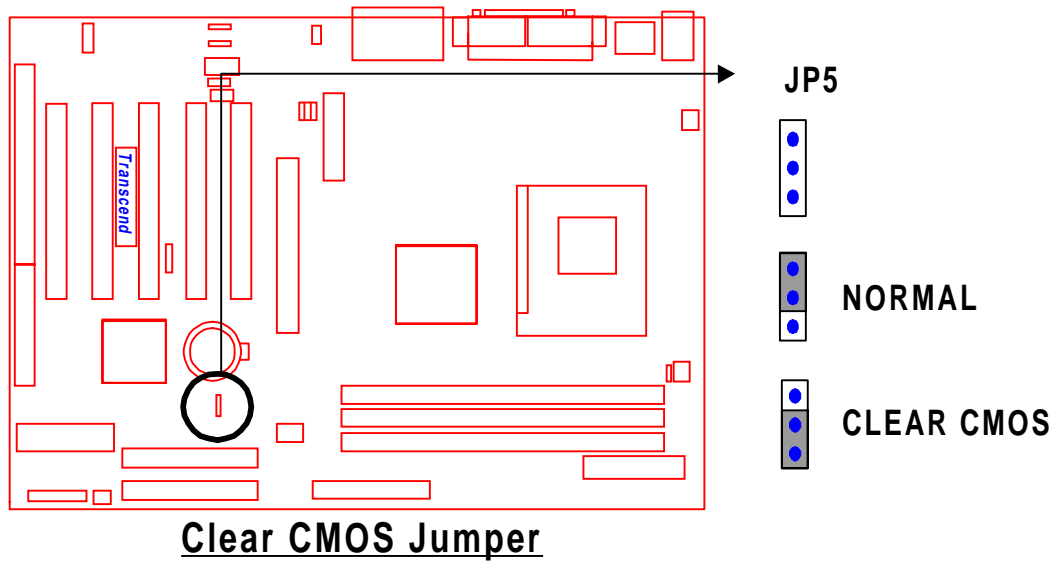
The onboard MIC_in connector is a 1/8” stereo audio jack connector marked “MIC”.

17 HARDWARE INSTALLATION



2.14 Using Jumper JP5 to Clear CMOS

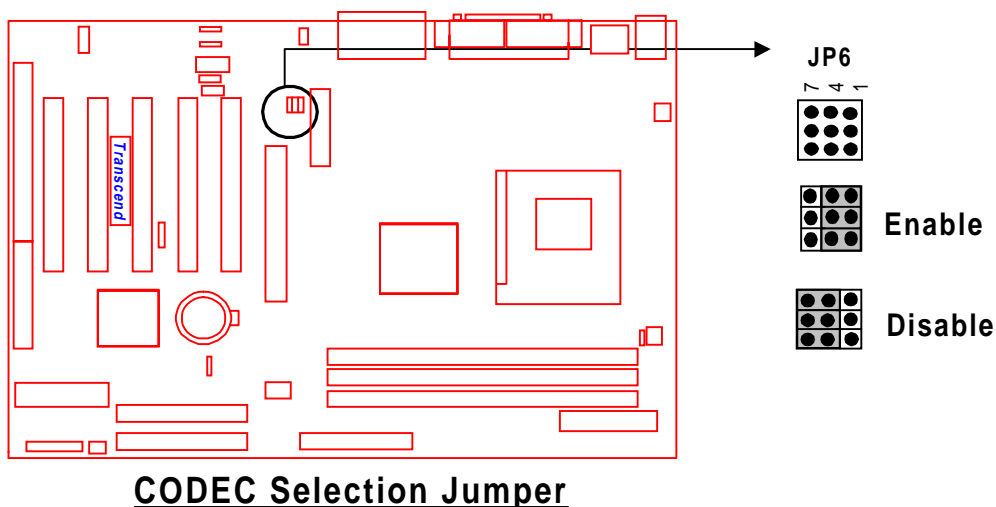
To clear the CMOS data, you should turn off your computer's power and put the JP5 jumper in the position as shown below.



2.15 Onboard Audio CODEC Setting (3-Pin JP6)

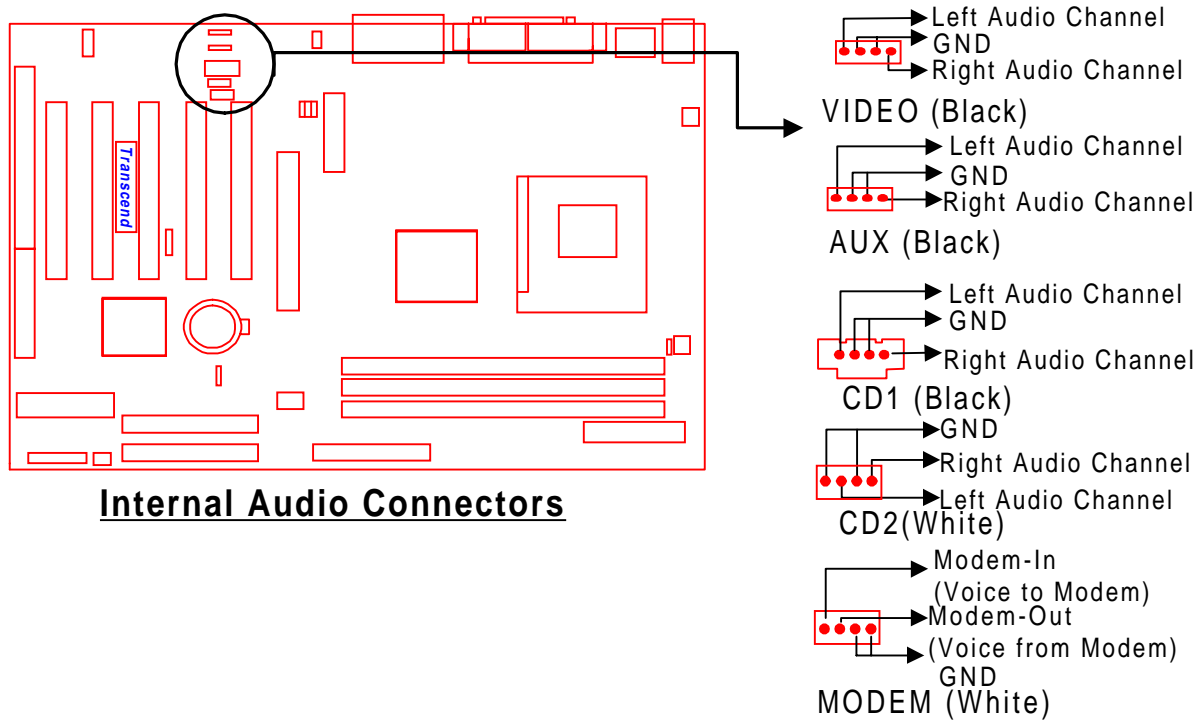
To use an external AMR card, the onboard audio CODEC can be enabled or disabled via this jumper. Please disable the onboard audio CODEC, if you want to use an AMR Sound Card.

NOTE: If you want to use a PCI Sound Card with audio controller on it, please disable the “On Chip Sound” function in “Advanced” Chipset Features” in BIOS Setup.



2.16 Internal Audio Connectors

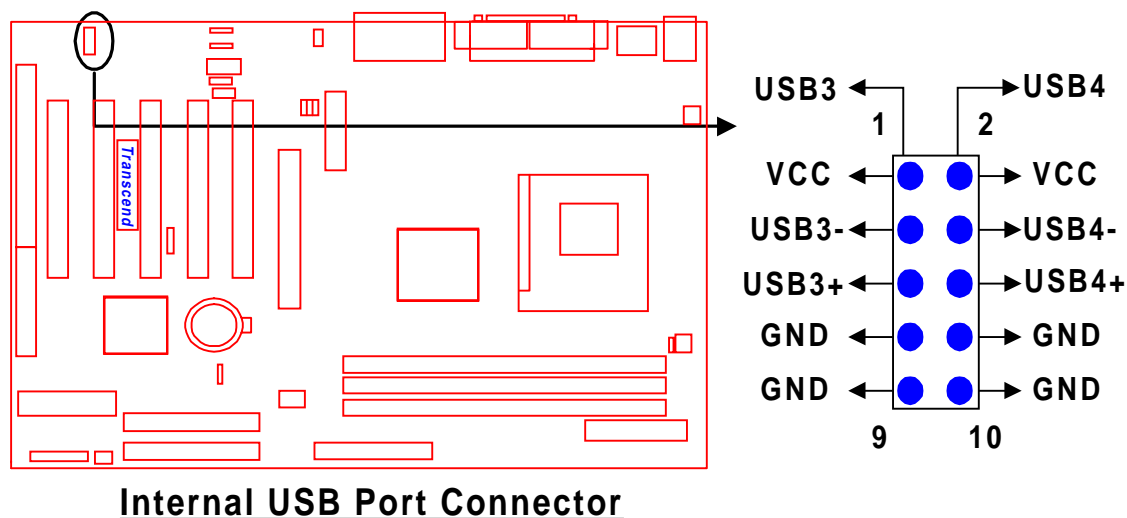
These connectors allow you to receive stereo audio input from sound sources such as a CD-ROM, TV tuner, or MPEG card. The MODEM connector allows the onboard audio to interface a voice modem card with a matched connector. It also allows the sharing of mono_in (such as a phone) and mono_out (such as a speaker) between the onboard audio and the voice modem card.



2.17 Internal USB Port Connector (10-Pin USB3/4)

You can use the optional USB port bracket to add 2 serial ports for additional serial devices. Regarding the external onboard USB ports (USB1/2), please refer to “Section 2.12 External Back Panel I/O Ports”.

NOTE: Please make sure that the two red stripes on the cable are seated on pin1 and pin2.



Congratulations! You have completed Hardware Setup!

You may now continue with “Chapter 3 BIOS Setup” and turn on your PC.

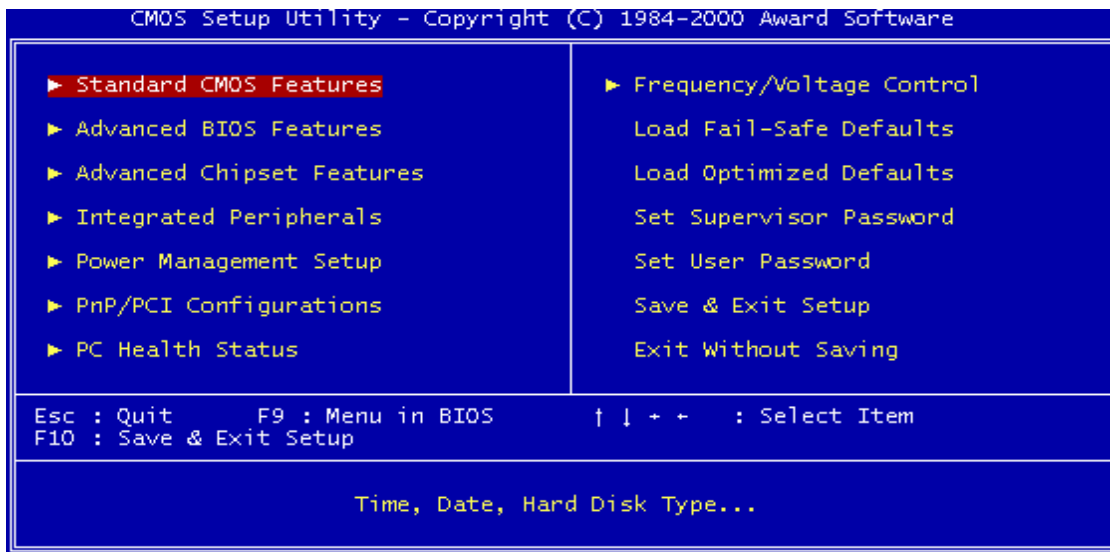
CHAPTER 3 BIOS SETUP

3.1 BIOS Setup

Award BIOS has a built-in Setup program that allows users to modify the basic system configuration. This information is stored in CMOS RAM, so it can retain the Setup information when the power is turned off. If the CMOS battery fails, these data will be lost. If that happens, please set up your configuration parameters again after replacing the battery. Please refer to “Section 1.1 Essential Handling Precautions” for instructions on replacing the CMOS battery.

3.2 The Main Menu

As you turn on or reboot the system, the BIOS is immediately activated. It will read the system configuration information, and check the system through the Power On Self Test (POST). During the POST process, pressing the [Del] key allows you to enter the Award BIOS configuration system. The following screen will appear:



In the Award BIOS system, you can use the arrows (\uparrow \downarrow \rightarrow \leftarrow) to highlight an item, and press the [Enter] key to enter its submenu. The following keys help you navigate in Setup.

- [Esc] Main Menu: Quit and do not save changes into CMOS RAM
Other pages: Exit current page and return to Main Menu
 - [PgUp] Increase the numeric value or make changes
 - [PgDn] Decrease the numeric value or make changes
-

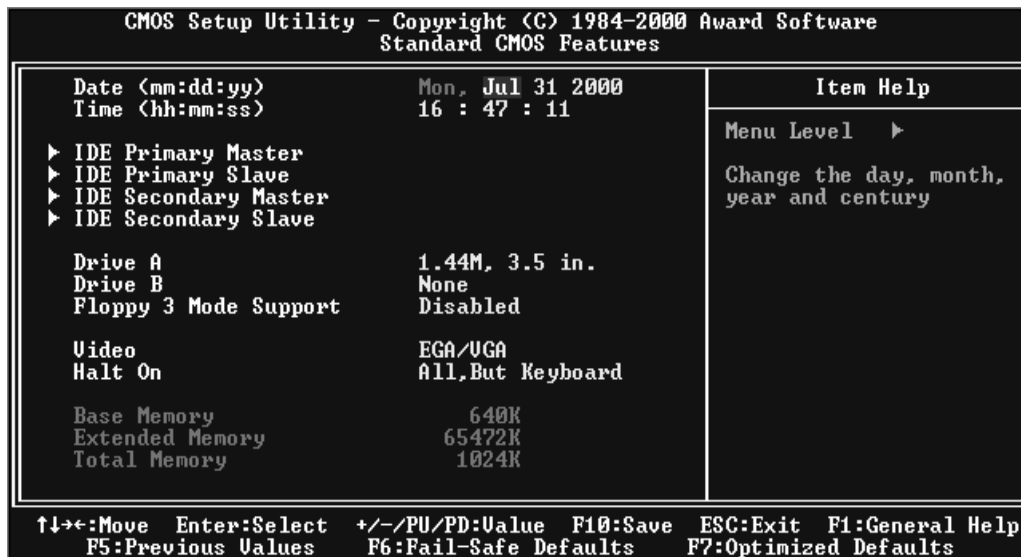
[+]	Increase the numeric value or make changes
[-]	Decrease the numeric value or make changes
[F1]	General help on setup navigation keys
[F5]	Load previous values from CMOS
[F6]	Load the Fail-Safe Defaults from BIOS default table
[F7]	Load the Optimized Defaults
[F10]	Save all CMOS changes, and exit

The following is a brief summary of each setup category:

- **Standard CMOS Features**
Options in the original PC AT-compatible BIOS
- **Advanced BIOS Features**
Award enhanced BIOS options
- **Advanced Chipset Features**
Available options specific to your system's Chipset
- **Integrated Peripherals**
I/O subsystems that depend on the integrated peripheral controllers in your system
- **Power Management Setup**
Advanced Power Management (APM) and Advanced Configuration and Power Interface (ACPI) options
- **PnP/PCI Configurations**
Plug-and-Play standard and PCI Local Bus configuration options
- **PC Health Status**
To display the fan status, CPU temperature, system temperature, etc., and to provide the temperature monitoring option
- **Frequency/Voltage Control**
To control the frequency and voltage of the CPU
- **Load Fail-Safe Defaults**
To load the most basic BIOS default values required for your system to operate
- **Load Optimized Defaults**
To load the BIOS default values that are factory settings for optimal system performance

- **Set Supervisor/User Password**
To change, set, or disable a password
- **Save & Exit Setup**
To save settings in nonvolatile CMOS RAM and exit Setup
- **Exit Without Saving**
To abandon all changes and exit Setup

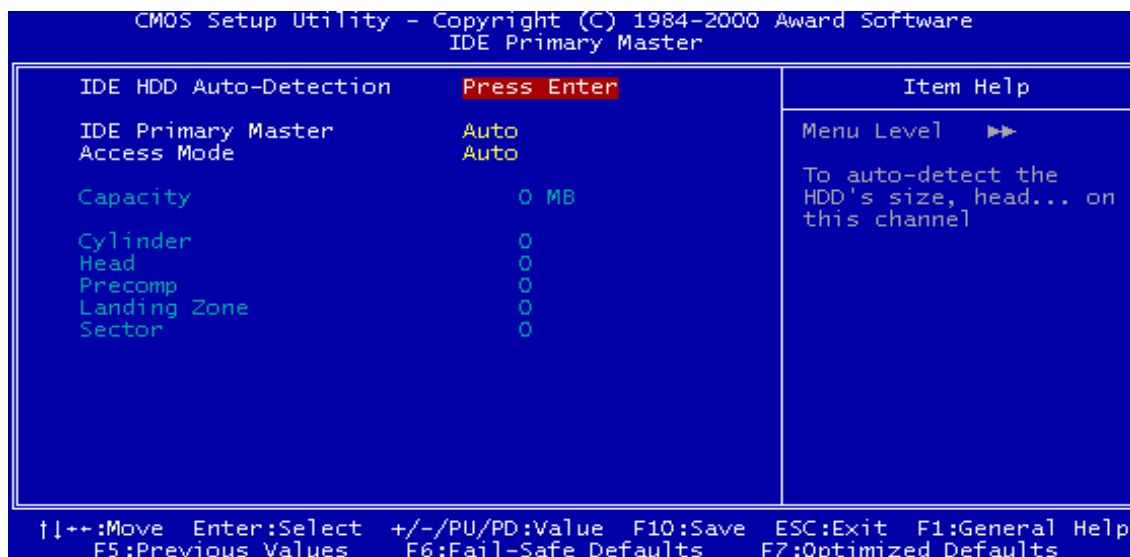
3.3 Standard CMOS Features



- **Date (mm:dd:yy)/Time (hh:mm:ss)**
Highlight the items and use [PageUp]/[PageDown] to change the value of Date/Time.

- **IDE Primary/Secondary Master/Slave**

Press [Enter] to enter the submenu shown below.



- IDE HDD Auto-Detection: Detect the HDD on this channel. If the detection is successful, it fills the remaining fields on this sub-menu.
- IDE Primary/Secondary Master/Slave: We recommend that you select “AUTO” for all drives. The BIOS can automatically detect the specifications during POST while the system boots. You can also choose “Manual” to set the specifications yourself. The “None” setting means there is no device installed on the designated IDE channel.
- Access Mode: “CHS”, “LBA”, “Large”, or “Auto”.
 - CHS: Maximum number of Cylinders, Heads, and Sectors supported are 1024, 16, and 63 respectively.
 - LBA (Logical Block Addressing): During drive access, the IDE controller transfers the data address described by sector, head, and cylinder number into a physical block address. This significantly improves data transfer rates for drives with more than 1024 cylinders.
 - Large: For drives that do not support LBA and have more than 1024 cylinders.
 - Auto: The BIOS automatically determines the optimal access mode.
- Capacity: Disk drive capacity. Note that this size is slightly greater than the size of a formatted disk given by the disk-checking program.
- Cylinder: Number of cylinders

- Head: Number of heads
 - Precomp: Write precompensation cylinder
 - Landing Zone: Landing zone
 - Sector: Number of sectors
 - **Drive A/Drive B**

Select the correct types of diskette drive(s) installed in the computer.

 - None: No diskette drive installed
 - 360K, 5.25 in.: 5-1/4 inch standard drive; 360 kilobyte capacity
 - 1.2M, 5.25 in.: 5-1/4 inch high-density drive; 1.2 megabyte capacity
 - 720K, 3.5 in.: 3-1/2 inch double-sided drive; 720 kilobyte capacity
 - 1.44M, 3.5 in.: 3-1/2 inch double-sided drive; 1.44 megabyte capacity
 - 2.88M, 3.5 in.: 3-1/2 inch double-sided drive; 2.88 megabyte capacity
 - **Floppy Mode 3 Support**

Supports some particular Japanese floppy drives (3.5 inch drives with 1.2 MB capacity).
 - **Video**

Select the type of primary video subsystem in your computer. The BIOS will detect the correct video type automatically. The BIOS supports a secondary video subsystem, but do not select it in this Setup.

 - EGA/VGA: Enhanced Graphics Adapter/Video Graphics Array. For EGA, VGA, SEGA, SVGA or PGA monitor adapters.
 - CGA 40: Color Graphics Adapter, powers up in 40-column mode.
 - CGA 80: Color Graphics Adapter, powers up in 80-column mode.
 - MONO: Monochrome adapter, including high resolution.
 - **Halt On**

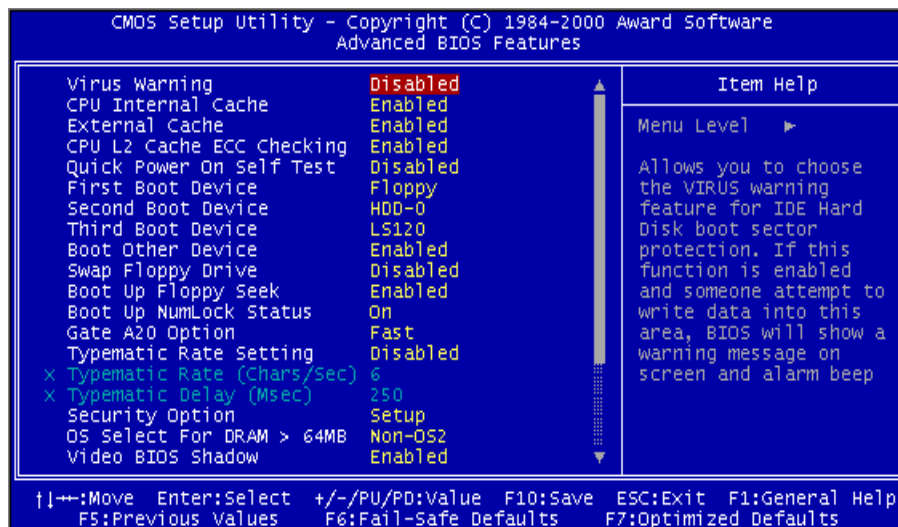
During POST, the computer stops if the BIOS detects a hardware error. You can set the BIOS to ignore certain errors during POST and continue the boot-up process. The followings are the selections:

 - All Errors: If the BIOS detects any non-fatal errors, POST stops and prompts you to take corrective action.
 - No Errors: POST does not stop for any error.
 - All, But Keyboard: If the BIOS detects any non-fatal errors except keyboard, POST stops and prompts you to take corrective action.
-

- All, But Diskette: If the BIOS detects any non-fatal errors except the diskette drive, POST stops and prompts you to take corrective action.
- All, But Disk/Key: If the BIOS detects any non-fatal errors except keyboard or the diskette drive, POST stops and prompts you to take corrective action.

3.4 Advanced BIOS Features

The “Advanced BIOS Features” option allows you to improve your system performance and setup system features according to your preferences.



- **Virus Warning**

When this function is enabled, you will receive a warning message if a program (specifically, a virus) attempts to write to the boot sector or the partition table of the hard disk. You should then execute an anti-virus program. Keep in mind that this feature protects the boot sector only, not the entire hard drive.

NOTE: Many disk diagnostic programs that access the boot sector table can trigger the virus warning message. If you plan to run such a program, we recommend that you disable the virus warning first.

- **CPU Internal/External Cache**

Cache memory is additional memory that is much faster than conventional DRAM (system memory). CPUs from 486-type and up contain internal cache memory. Most, but not all, modern PCs have additional (external) cache memory. When the CPU requests data, the system transfers the requested data from the main DRAM into cache memory for even faster access by the CPU. The “External Cache” field may not appear if your system does not have external cache memory.

- **CPU L2 Cache ECC Checking**

Select “Enabled” to make sure the data are accurate.

- **Quick Power On Self Test**

Select “Enabled” to reduce the amount of time required to run the Power On Self Test (POST). The Quick POST skips certain steps; therefore, we recommend that you normally disable Quick POST. It is better to find a problem during POST than to lose data during your work.

- **First/Second/Third Boot Device; Boot Other Device**

The original IBM PCs loaded the DOS operating system from drive A (floppy disk). Therefore, IBM PC-compatible systems are designed to search for an operating system first on drive A, and then on drive C (hard disk). However, the selections in these fields will determine the sequence that BIOS will follow in attempting to load the operating system from the system’s devices. In addition to the traditional drives A (“Floppy”) and C (“HDD-0”), options include: “LS120”, a “SCSI” bootable device, “CD-ROM”, “HDD-1”, “HDD-2”, “HDD-3”, a “ZIP100” drive, and a “LAN” drive. If your bootable device is not included in the list, you can set the “Boot Other Device” field to “Enabled”, and let the system detect the drive automatically.

- **Swap Floppy Drive**

This field is effective only in systems with two floppy drives. Selecting “Enabled” assigns physical drive B to logical drive A, and physical drive A to logical drive B. But this item is useless in OS/2.

- **Boot Up Floppy Seek**

When you select “Enabled”, the BIOS tests (seeks) floppy drives to determine whether they have 40 or 80 tracks. Only 360KB floppy drives have 40 tracks; drives with 720KB, 1.2MB, and 1.44MB capacity all have 80 tracks. Because very few modern PCs have 40-track floppy drives, we recommend that you set this field to “Disabled” to save time.

- **Boot Up NumLock Status**

Toggle between “On” and “Off” to control the state of the NumLock key when the system boots. When toggled “On”, the numeric keypad generates numbers instead of controlling cursor operations.

- **Gate A20 Option**

Choose “Fast” (default) or “Normal”. “Fast” allows RAM access above 1MB to use the fast Gate A20 line.

- **Typematic Rate Setting**

When this function is disabled, the following two items (Typematic Rate and Typematic Delay) are irrelevant. Keystrokes repeat at a rate determined by the keyboard controller in your system. When this function is enabled, you can select a typematic rate and typematic delay.

- **Typematic Rate (Chars/Sec)**

When the Typematic Rate setting is enabled, you can select a typematic rate (the rate at which characters repeat) to “6”, “8”, “10”, “12”, “15”, “20”, “24” or “30” characters per second.

- **Typematic Delay (Msec)**

When the Typematic Delay setting is enabled, you can select a typematic delay (the delay before key strokes begin to repeat) of “250”, “500”, “750” or “1000” milliseconds.

- **Security Option**

If you have set a password, you can select whether the password is required while the “System” boots, or only when you enter “Setup”.

- **OS Select For DRAM >64MB**

Select “OS2” only if you are running the OS/2 operating system with more than 64 MB of RAM on your system. Select “Non-OS/2” for all other operating systems.

- **Video BIOS Shadow**

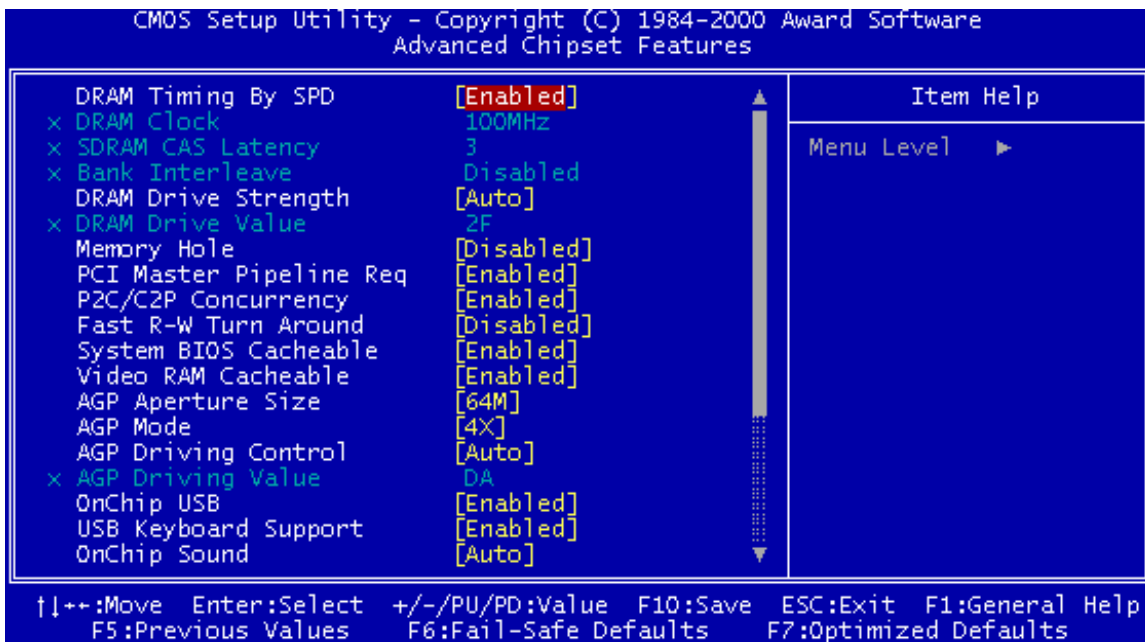
Select “Enabled” to change the video BIOS location from ROM to RAM, where the CPU can read data through the 64-bit DRAM bus. This can enhance system performance.

- **C8000-DFFFF Shadow**

You can shadow the ROM on other expansion cards by setting these fields. If you install other expansion cards with ROMs, you need to know which address the ROMs specifically use. Shadowing a ROM reduces the memory available between 640K and 1024K depending on the used amount.

3.5 Advanced Chipset Features

This option will change the values of the chipset registers and the system settings will alter. Do not change any value if you are unfamiliar with the chipset.



- **DRAM Timing by SPD**

“Enabled” lets BIOS detect the DRAM Clock automatically. “Disabled” allows you to manually set the DRAM Clock setting, the SDRAM CAS Latency setting, and Bank Interleave.

- **DRAM Clock**

Set the clock frequency of the DRAMs. Selections are: “100” and “133”.

- **SDRAM CAS Latency**

This controls the SDRAM performance, default is “3” clocks. If your SDRAM DIMM specification is 2 CAS latency, change “3” to “2” for better performance.

- **Bank Interleave**

This function allows you to enhance the DRAM performance. Selections are: “Disabled”, “2 Bank”, and “4 Bank”.

- **DRAM Drive Strength**

Selections are: “Auto” and “Manual”. Selecting “Manual” allows you to set the DRAM Drive Value.

- **DRAM Drive Value**

This item lets you set the DRAM Drive Value (00~FF).

- **Memory Hole**

Selections are: “Disabled” and “15M-16M”. “15M-16M” enables this feature, reserving memory address space (between 15 and 16MB) to ISA expansion cards that specifically require this setting. This makes between 15 and 16MB of memory unavailable to the system. Expansion cards can only access memory up to 16MB. The default setting is “Disabled”.

- **PCI Master Pipeline Req**

If “Enabled”, this option will enhance the system’s performance.

- **P2C/C2P Concurrency**

When “Disabled”, the CPU bus will be occupied during the entire PCI operation period.

- **Fast R-W Turn Around**

DRAM optimization feature: If a memory read is addressed to a location whose latest write is being held in a buffer before being written to memory, the read is satisfied through the buffer contents, and the read is not sent to the DRAM. The choices are: “Enabled” and “Disabled”.

- **System BIOS Cacheable**

Selecting “Enabled” allows caching of the system BIOS. This action can increase system performance.

- **Video RAM Cacheable**

Selecting “Enabled” allows caching of the video BIOS. This action can increase system performance.

- **AGP Aperture Size**

Memory-mapped graphics data structures can reside in a Graphics Aperture. This item lets you determine the effective size of the AGP Graphics Aperture, which is a memory area used to transfer data to/from the AGP card. We suggest you leave this field on the default setting.

- **AGP Mode**

This item configures the chipset’s fastest AGP Mode. You can set this field to “2” to force a 4X AGP card to run at 2X speed. Selections are: “4x”, “2x”, and “1x”.

- **AGP Driving Control**

This function allows you to adjust the AGP driving force. Choosing ‘Manual’ allows you to key in an AGP Driving Value in the next selection. We recommend that you set this field to “Auto” to avoid any errors in the system.

- **AGP Driving Value**

This field allows you to adjust the AGP driving force (from 00~FF).

- **OnChip USB**

Select “Enabled” if you use a USB Keyboard or any other USB device.

- **USB Keyboard Support**

Select “Enabled” if you want to use a USB Keyboard.

- **OnChip Sound**

Select “Auto” to enable the OnChip Audio Controller, which lets you use OnBoard CODEC or Add-On CODEC on the AMR card (depending on the JP6 setting). If you use an Add-On Audio Card with an Audio Controller built-in, please set this field to “Disabled”.

- **OnChip MODEM**

Select “Auto” to enable the OnChip MODEM Controller, which lets you use Add-On Modem CODEC on the AMR card. If you use an Add-On card with a Modem Controller built-in, please set this field to “Disabled”.

- **CPU to PCI Write Buffer**

If “Enabled” is selected, writes from the CPU to the PCI bus are buffered to compensate for the speed differences between the CPU and the PCI bus. If “Disabled”, the writes are not buffered and the CPU must wait until the write is complete before starting another write cycle.

- **PCI Dynamic Bursting**

When “Enabled”, every write transaction goes to the write buffer. Burstable transactions then burst on the PCI bus and nonburstable transactions will write to PCI bus immediately.

- **PCI Master 0 WS Write**

When “Enabled”, writes to the PCI bus are executed with zero wait states.

- **PCI Delay Transaction**

The chipset has an embedded 32-bit posted write buffer to support delay transaction cycles. Select “Enabled” to support compliance with PCI specification version 2.1.

- **PCI #2 Access #1 Retry**

Select “Enabled” to support PCI #2 (AGP bus) access to PCI #1 (PCI bus) retry function when an error occurs. The default value is “Disabled”.

- **AGP Master 1 WS Write**

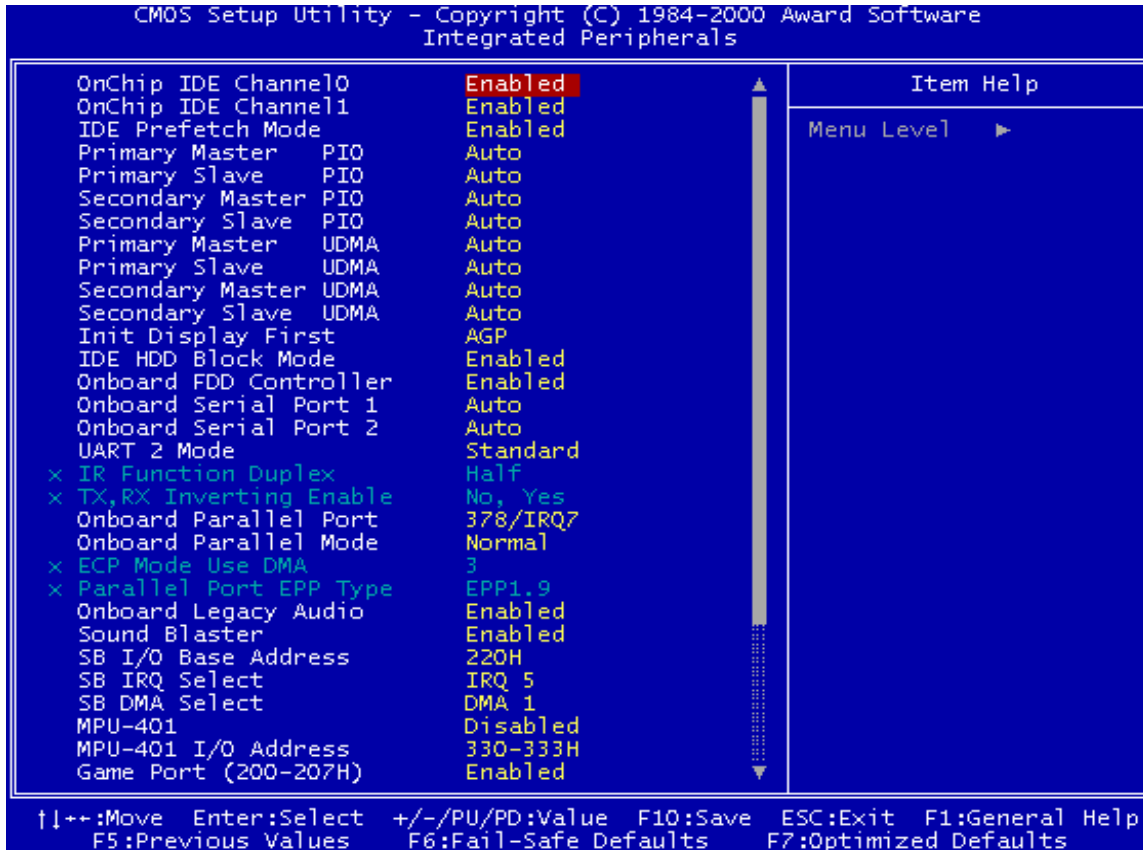
Selecting “Enabled” will implement a single delay when writing to the AGP Bus. By default, two wait states are used by the system, allowing for greater stability.

- **AGP Master 1 WS Read**

This implements a single delay when reading to the AGP Bus. By default, two-wait states are used by the system, allowing for greater stability.

3.6 Integrated Peripherals

Choose this option and the following display appears:



- **OnChip IDE Channel 0/Channel 1**

The chipset contains a PCI IDE interface which supports two IDE channels. Select “Enabled” to activate the first and/or second IDE interface. Select “Disabled” to deactivate this interface if you install a primary and/or secondary add-in IDE interface.

- **IDE Prefetch Mode**

The Onboard IDE drive interface supports IDE prefetching for faster drive access. If your IDE drive has add-in IDE interface and doesn’t support prefetching, please set this field to “Disabled”.

- **Primary/Secondary Master/Slave PIO**

The four IDE PIO (Programmed Input/Output) fields let you set a PIO mode (0-4) for each of the four IDE devices that the onboard IDE interface supports. Modes 0 through 4 provide successively increased performance. In “Auto” mode, the system automatically determines the best mode for each device.

- **Primary/Secondary Master/Slave UDMA**

Ultra DMA/33(66) implementation is possible only if your IDE HDD can support it and the operating environment includes a DMA driver (Windows 95 OSR2 or a third-party IDE bus master driver). If both your HDD and your system software can support Ultra DMA/33(66), select “Auto” to enable BIOS support.

- **Init Display First**

This item allows you to decide whether to activate either the “PCI Slot” or the “AGP” first.

- **IDE HDD Block Mode**

Block Mode is also called Block Transfer, Multiple Commands, or Multiple Sector Read/Write. If your IDE hard drive supports Block Mode (most new drives do), select “Enabled” for automatic detection of the optimal number of Block Read/Writes per sector that the drive can support.

- **Onboard FDD Controller**

You can use this function to enable or disable the onboard FDD controller.

- **Onboard Serial Port 1/Port 2**

Select an address and the corresponding interrupt for each of the first and second serial ports. The Choices are: “Disabled”, “3F8/IRQ4”, “2F8/IRQ3”, “3E8/IRQ4”, “2E8/IRQ3”, and “Auto”. **The second serial port shares resources (address and IRQ) with IrDA.**

- **UART 2 Mode**

Choose the right type of infrared device:

- Standard: Normal operation
- HPSIR: IrDA compliant serial infrared port
- ASKIR: Amplitude Shift Keyed Infrared Port

- **IR Function Duplex**

Consult your IR peripheral documentation to select the setting for IR “Half”/“Full” duplex function.

- **TX, RX inverting Enable**

Consult your IR peripheral documentation to set this field. The item “Yes” means “Low Active” and “No” means “High Active”.

- **Onboard Parallel Port**

Select a logical LPT port name and matching address for the physical parallel (printer) port. The choices are: “378/IRQ7”, “278/IRQ5”, “3BC/IRQ7” and “Disabled”.

- **Onboard Parallel Mode**

This field allows you to set the operation mode of the parallel port.

- Normal: Allows normal-speed operation, but in one direction only.
- EPP: Allows bidirectional parallel port operation at maximum speed.
- ECP: Allows DMA and bidirectional operation. It is faster than the EPP mode.
- ECP/EPP: Allows normal speed operation in two-way mode.

- **ECP Mode Use DMA**

Assign DMA channel “1” or “3” to the port for ECP mode operation.

- **Parallel Port EPP Type**

Select EPP port type “1.7” or “1.9”.

- **Onboard Legacy Audio**

This field controls the onboard legacy audio related selection. If “Disabled” all of the following selections will be disabled. Select “Enable” if you want to use onboard audio.

- **Sound Blaster**

Select “Enable” to use Sound Blaster.

- **SB I/O Base Address**

Assign Sound Blaster resources. We recommend you leave this field on default.

- **SB IRQ Select**

Assign Sound Blaster resources. We recommend you leave this field on default.

- **SB DMA Select**

Assign Sound Blaster resources. We recommend you leave this field on default.

- **MPU-401**

Select "Enabled" to use an MPU-401 device (MIDI synthesizer or keyboard) you have installed.

- **MPU-401 I/O Address**

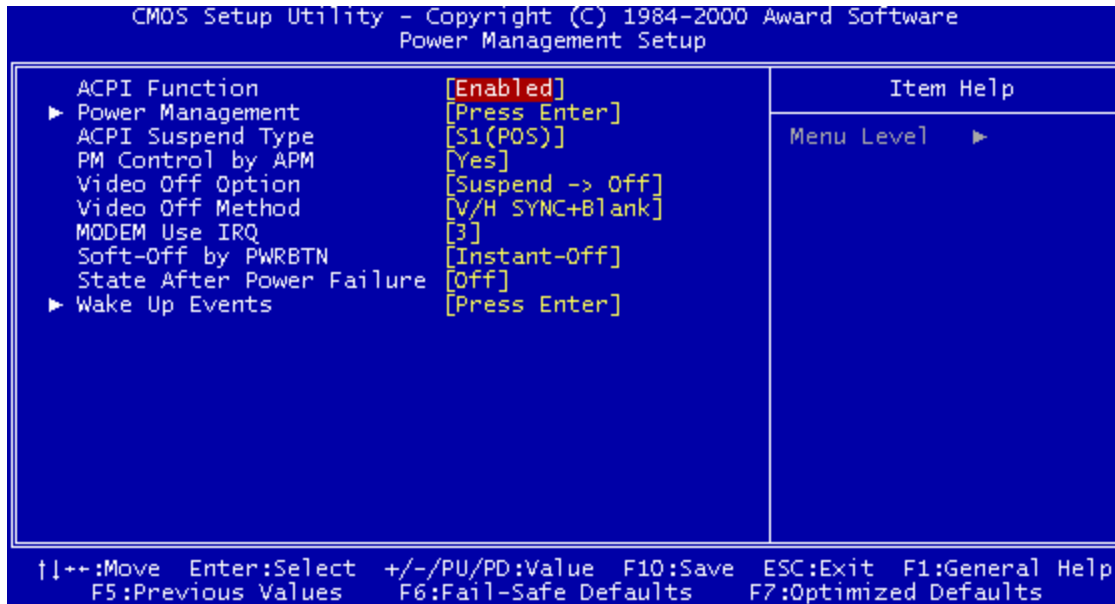
Assign MPU-401 resource.

- **Game Port**

Select "Enabled" to assign Game Port resource.

3.7 Power Management Setup

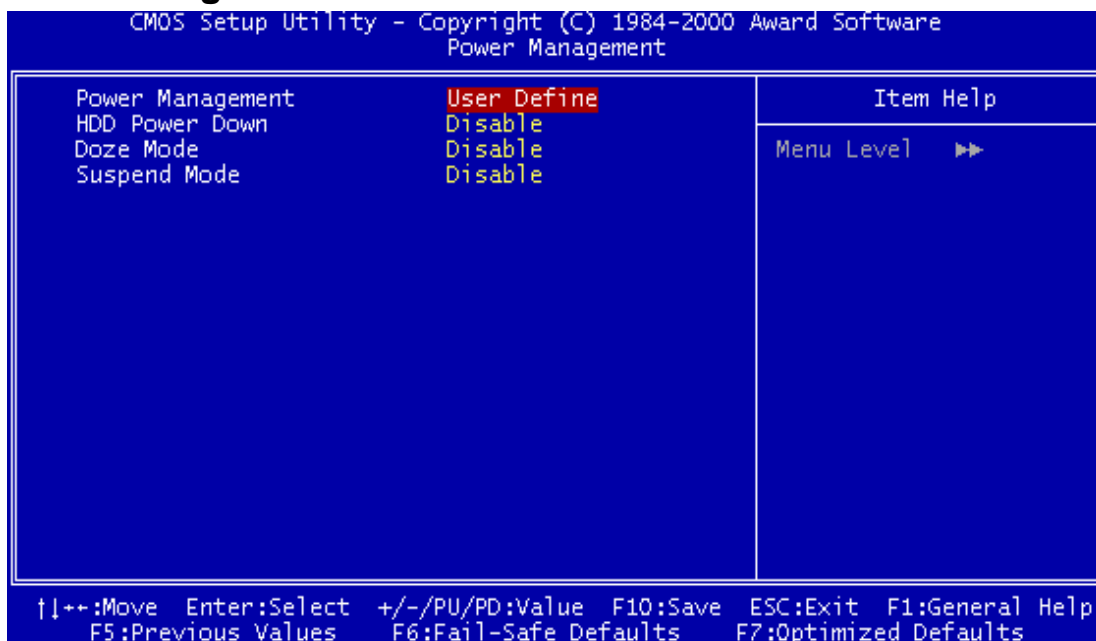
The Power Management Setup allows you to configure your system to minimize energy consumption according to your own style of computer use.



- **ACPI Function**

This item allows you to enable/disable the Advanced Configuration and Power Interface (ACPI).

- **Power Management**



This category allows you to select the type (or degree) of power saving and is directly related to the following modes.

1. Suspend Mode
2. HDD Power Down
3. Doze Mode

There are three selections for Power Management. Two of them have fixed mode settings.

1. Min. Power Saving:

Minimum power management mode. Inactivity period is defined below:

Doze Mode = 1 Hour

Suspend Mode = 1 Hour.

2. Max. Power Saving:

Maximum power management mode. Inactivity period is defined below:

Doze Mode = 1 Min

Suspend Mode = 1 Min.

3. User Define:

Allows you to set each mode individually. Select the time-out period for each mode shown above.

- **ACPI Suspend Type**

Select the ACPI Suspend Type: "S1 (POS)" or "S3 (STR)".

If your expansion cards do not support the STR function, you must leave this field on "S1 (POS)" setting. STR (Suspend-to-RAM) is an energy-saving feature. It takes only a few seconds to wake-up the system and return to its previous situation.

NOTE: This feature (STR) requires an ATX power supply with at least 720mA and 5V standby power for the Advanced Configuration and Power Interface (ACPI) functions. Otherwise, the system will fail to return from suspend mode.

- **PM Control by APM**

When “Yes”, an Advanced Power Management device will be activated to enhance the Max Power Saving mode and stop the CPU internal clock.

- **Video Off Option**

When “Enabled”, this function allows the VGA adapter to operate in a power saving mode.

- Always On: Monitor will remain on during power saving modes.
- Suspend Off: Monitor blanked when the system enters the suspend mode.
- All Modes: Monitor blanked when the system enters any power saving mode.

- **Video Off Method**

Defines the Video Off features

- Blank Screen: Only blanks the screen. Use this for monitors without power management and “green” features.
- V/H SYNC+Blank: Blanks the screen and turns off vertical and horizontal scanning
- DPMS Support: The DPMS (Display Power Management System) feature allows the BIOS to control the video display card if it supports the DPMS feature.

- **MODEM Use IRQ**

You can select one of the following interrupt resources for modem use: “N/A”, “3”, “4”, “5”, “7”, “9”, “10”, and “11”.

- **Soft-Off by PWRBTN**

When set to “Instant-off”, the ATX switch can be used as a normal system Power-Off button. When set to “Delay 4 seconds”, you need to press the ATX switch down for more than 4 seconds if you want to Power-Off the system with this switch.

- **State After Power Failure**

This item determines what power state you wish the system to go into after a power failure event. Selections are: “Auto”, “On”, and “Off”.

- **Wake Up Events**



- **VGA**

If you select “On”, you can set the VGA to awaken the system.

- **LPT & COM**

Any activity from “LPT”, “COM” or “LPT/COM” wakes up the system.

- **HDD & FDD**

If you select “On”, any activity from a FDD or HDD wakes up the system.

- **PCI Master**

If select “On”, any activity on PCI Master wakes up the system.

- **Ring/WOL Resume**

Select “Enabled” to Power-On your system when the external modem receives a call, or a wakeup packet is received via the LAN.

NOTE: This function requires an external modem which supports the Ring Wake-Up function.

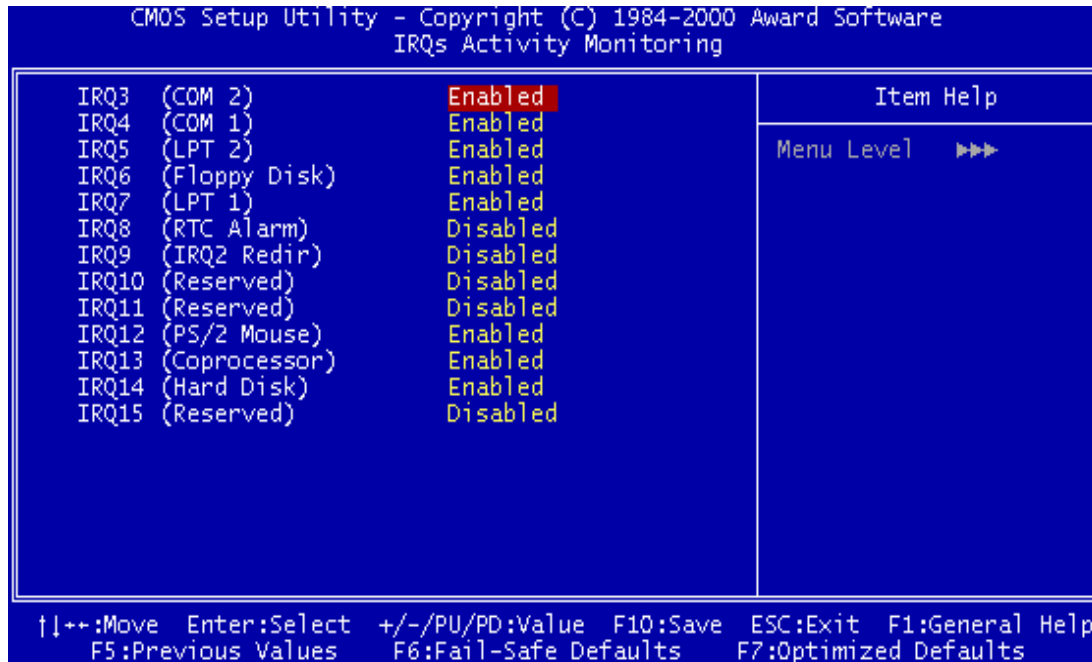
- **RTC Alarm Resume**

Select “Enabled” if you want to Power-On your system at a certain time on the same day every month, or at a certain time every day.

- **Primary INTR**

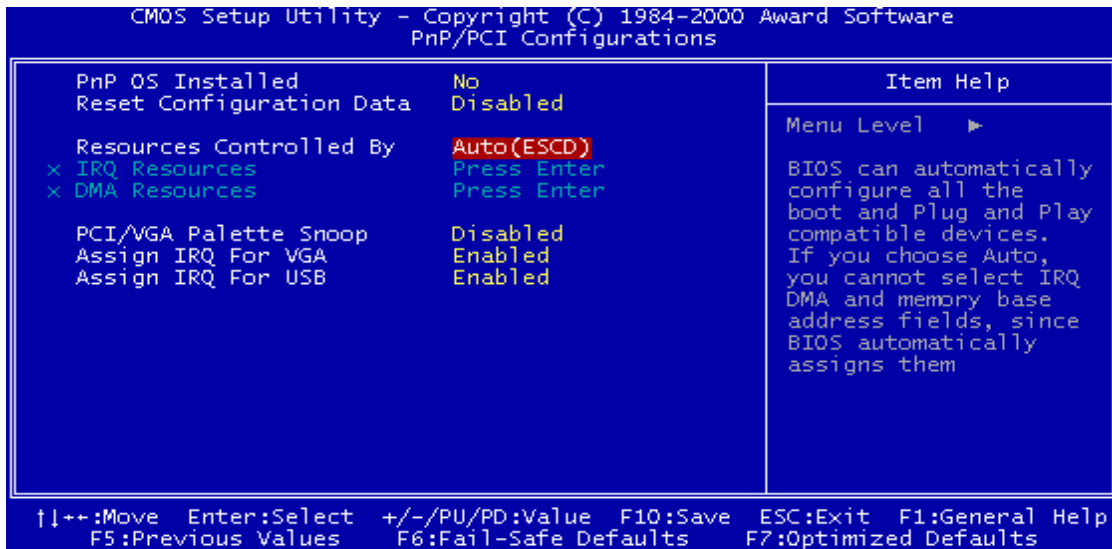
If you select “On”, the IRQs Activity Monitoring function will be enabled.

- **IRQs Activity Monitoring**



In the screen, you can see a list of IRQs (Interrupt Requests). When an I/O device wants to gain the attention of the Operating System, it asserts an IRQ signal. When the Operating System is ready to respond to the request, it interrupts itself and performs the service. The IRQs Activity Monitoring function monitors the IRQs you select “On”. Activity from any of them will awaken a system which has been powered down.

3.8 PnP/PCI Configuration Setup



- **PnP OS Installed**

This field allows you to use a Plug-and-Play (PnP) operating system to configure the PCI bus slots instead of using the BIOS. Thus, interrupts may be re-assigned by the OS when “Yes” is selected. When a non-PnP OS is installed to prevent re-assigning of interrupt settings, select the default setting of “No”.

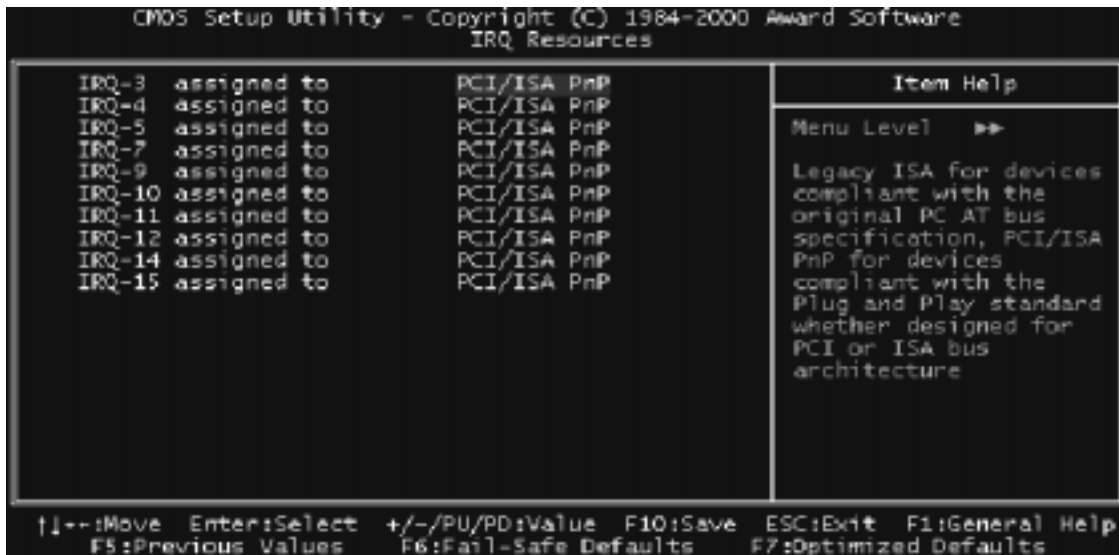
- **Reset Configuration Data**

Normally, you leave this field on “Disabled”. Select “Enabled” to reset Extended System Configuration Data (ESCD) if you have just installed a new add-on card and the system reconfiguration has caused such a serious conflict that the operating system cannot boot. The setting will automatically be set back to “Disabled” when the system reboots.

- **Resources Controlled By**

The Award Plug and Play BIOS can automatically configure all the boot and PnP compatible devices. If you select “Auto (ESCD)”, all of the Interrupt Requests (IRQs) and DMA assignment fields will be deactivated as the BIOS automatically assigns them.

- **IRQ Resources**

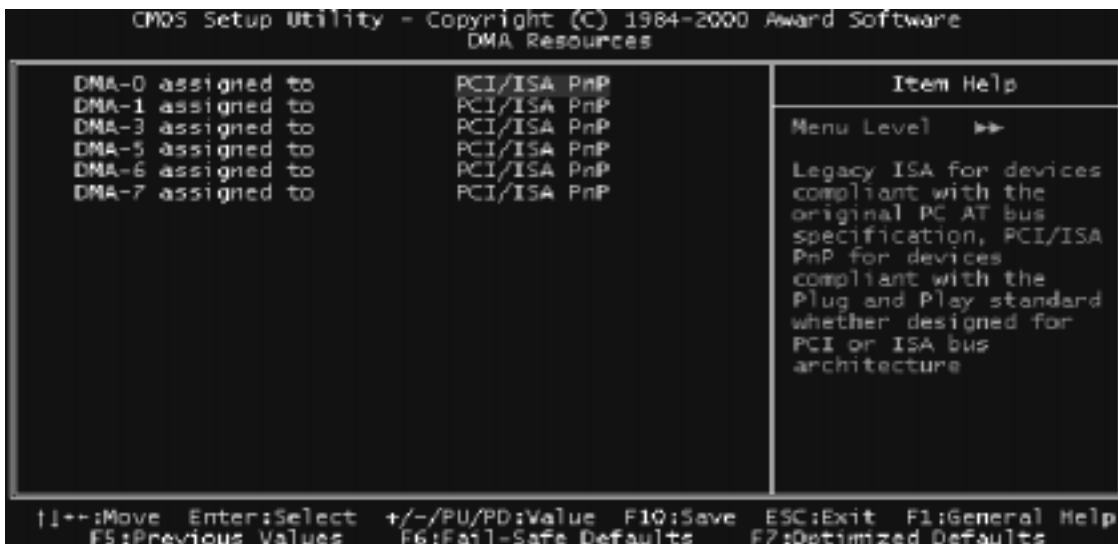


- **IRQ-n Assigned to**

When the resources are controlled manually, assign each system interrupt to one of the following, depending on which type of device is using the interrupt.

- PCI/ISA PnP devices, whether designed for PCI or ISA bus architecture, compliant with the Plug-and-Play standard.
- Legacy ISA Devices, requiring a specific interrupt (such as IRQ4 for serial port1), compliant with the original PC AT bus specification.

- **DMA Resources**



- **DMA-n Assigned to**

Just as with the IRQ Resource Assignment, you can assign DMA Resources manually.

- **PCI/VGA Palette Snoop**

Some VGA cards, such as graphics accelerators or MPEG video cards, might not show colors properly. Select “Enabled” to correct this problem. If you don’t have such problems, leave this field “Disabled”.

- **Assign IRQ For VGA**

Select “Enabled” only if your VGA card requires an assigned IRQ. Most ordinary cards do not, but some high-end cards with video capture function do. Consult your VGA documentation to set this field. Activity of the selected IRQ always awakens the system

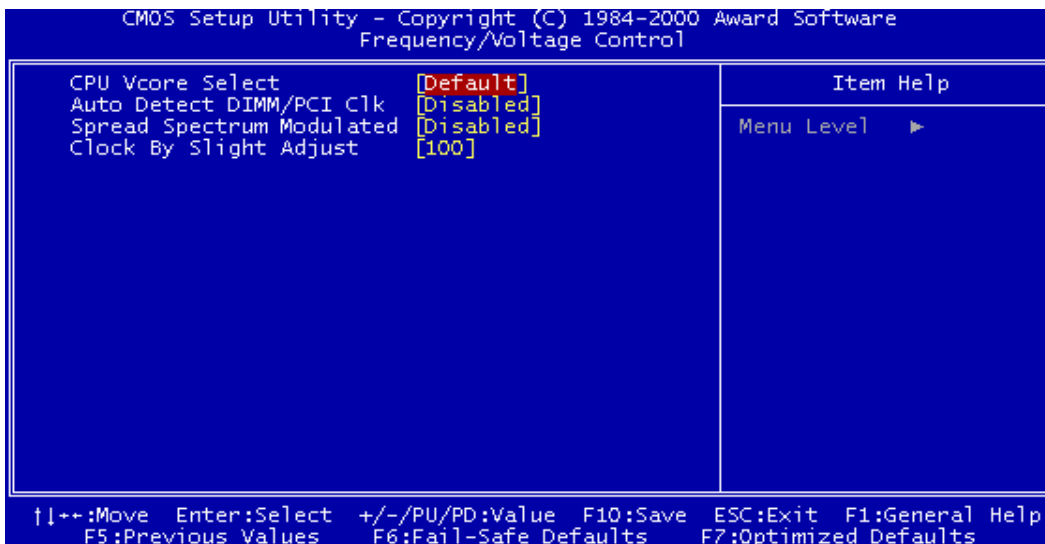
- **Assign IRQ For USB**

When “Enabled”, BIOS will assign an IRQ channel for the USB controller.

3.9 PC Health Status

This menu provides two thermo-protection functions (CPU warning temperature and shutdown temperature) and a hardware monitoring center. These features let you know the health status of your PC.

3.10 Frequency/Voltage Control



- **CPU Vcore Select (only AKT4/A)**

This function allows you to vary the CPU voltage. Options are: “Default” and from “+0.025V” to “0.1V” and from “-0.025V” to “-0.1V”.

- **Autodetect DIMM/PCI Clk**

This function allows you to “Enable” or “Disable” auto detection of the DIMM/PCI Clk.

- **Spread Spectrum Modulated**

This function allows you to “Enable” or “Disable”

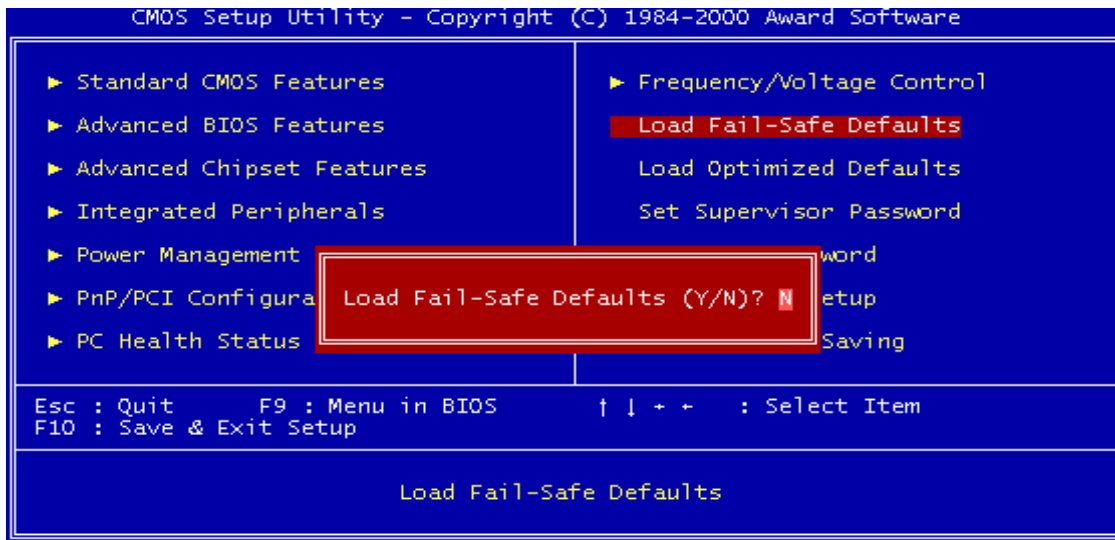
- **Clock By Slight Adjust**

This function allows you to set the FSB frequency of the CPU time.

3.11 Load Fail-Safe Defaults

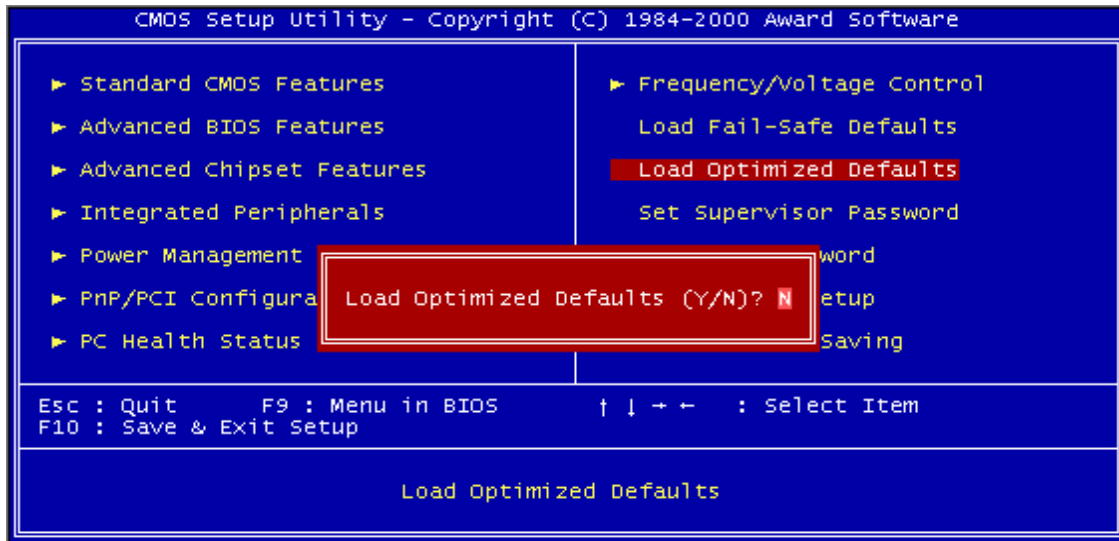
This option allows you to load the troubleshooting default values permanently stored in the BIOS ROM.

NOTE: These default settings are non-optimal and disable all high performance features.



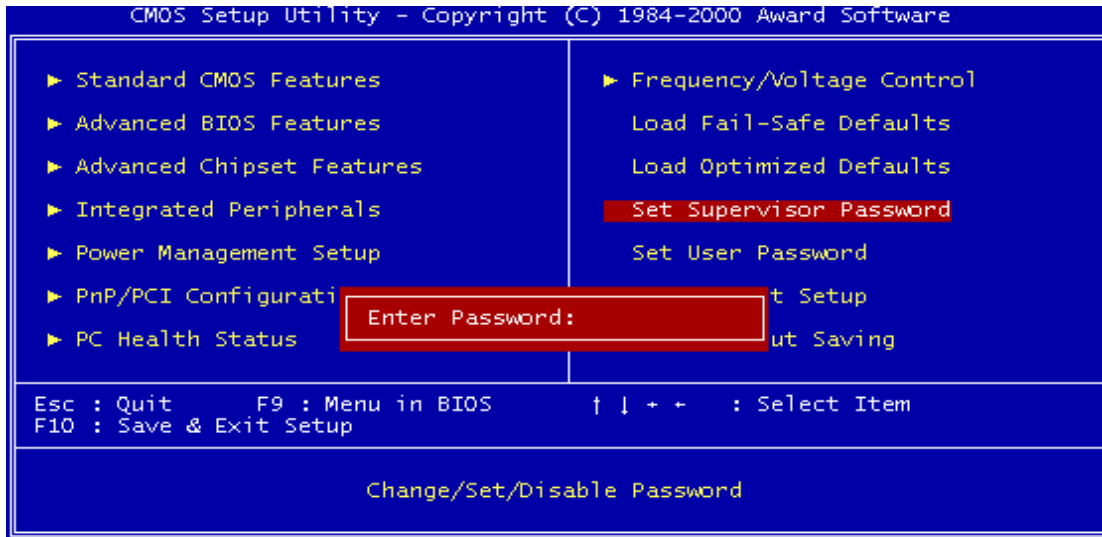
3.12 Load Optimized Defaults

This option allows you to load the default values to the system configuration fields. These default values are the optimized configuration settings for the system.



3.13 Supervisor Password

This option allows you to set a password to prevent others from changing the BIOS settings of your system.



The password prevents any unauthorized use of your computer. If you set a password, the system prompts for the correct password before you boot or access “Setup”.

To set a password:

1. At the prompt, type your password. Your password can be up to 8 alpha-numeric characters. When you type the characters, they appear as asterisks on the password screen box.
2. After typing the password, press the [Enter] key.
3. At the next prompt, re-type your password and press the [Enter] key again to confirm the new password. After password entry, the screen automatically reverts to the main screen.

To disable the password, press the [Enter] key when prompted to enter the password. The screen displays a message confirming that the password has been disabled.

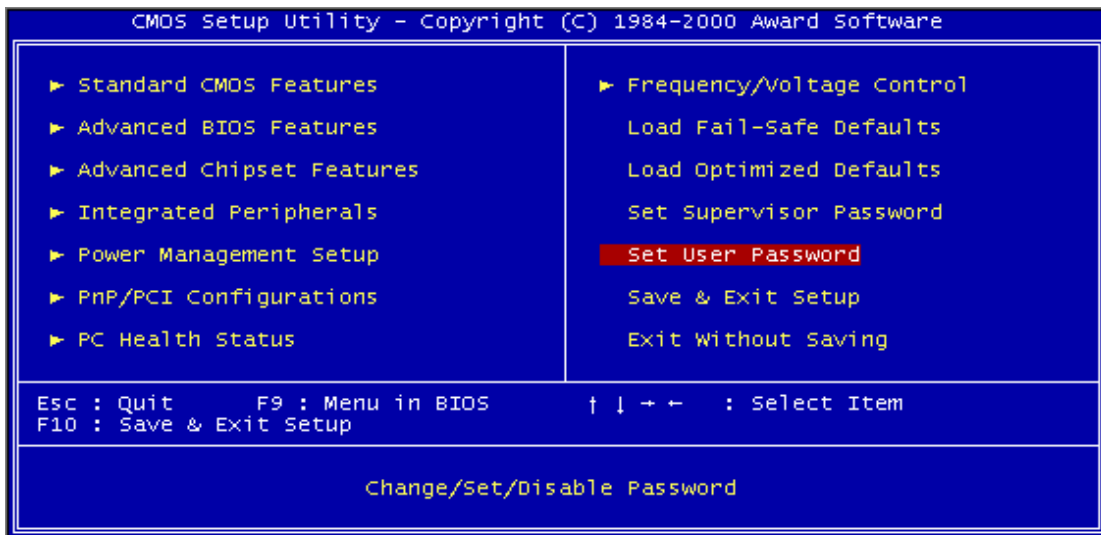
Forget the password?

If you forget the password, you can clear it by erasing the CMOS Real Time Clock (RTC) RAM with jumper 5 (JP5: CMOS_CLR). To erase the RTC RAM:

1. Unplug your computer.
2. Short the JP5 jumper.
3. Turn on your computer.
4. Hold down [Delete] key during the POST process and enter BIOS Setup to re-configure BIOS.

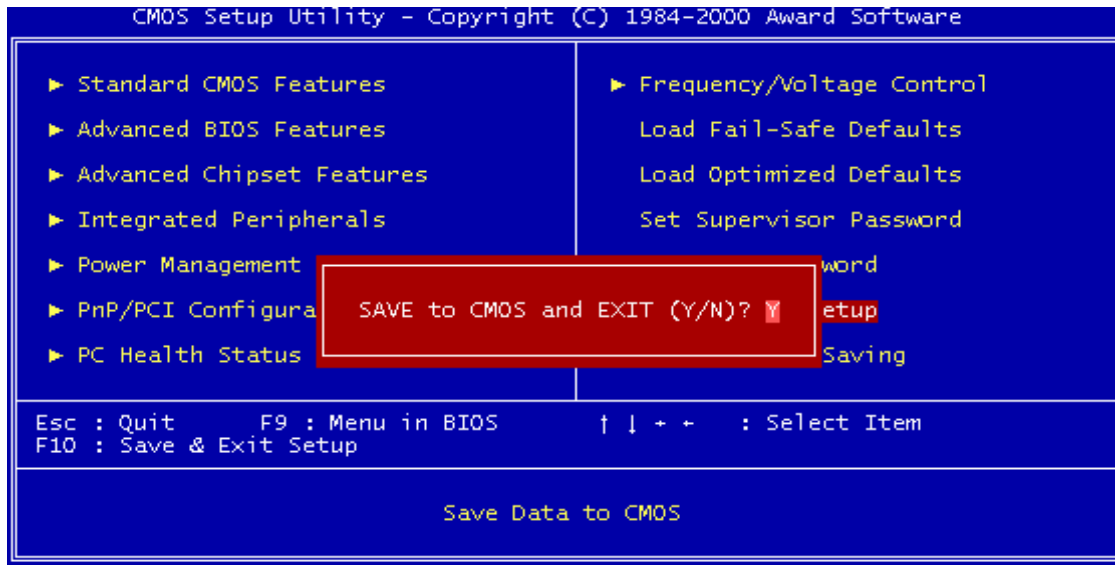
3.14 User Password

This option allows you to set a password to prevent others from changing the BIOS settings of your system. This operation is the same as Supervisor Password.



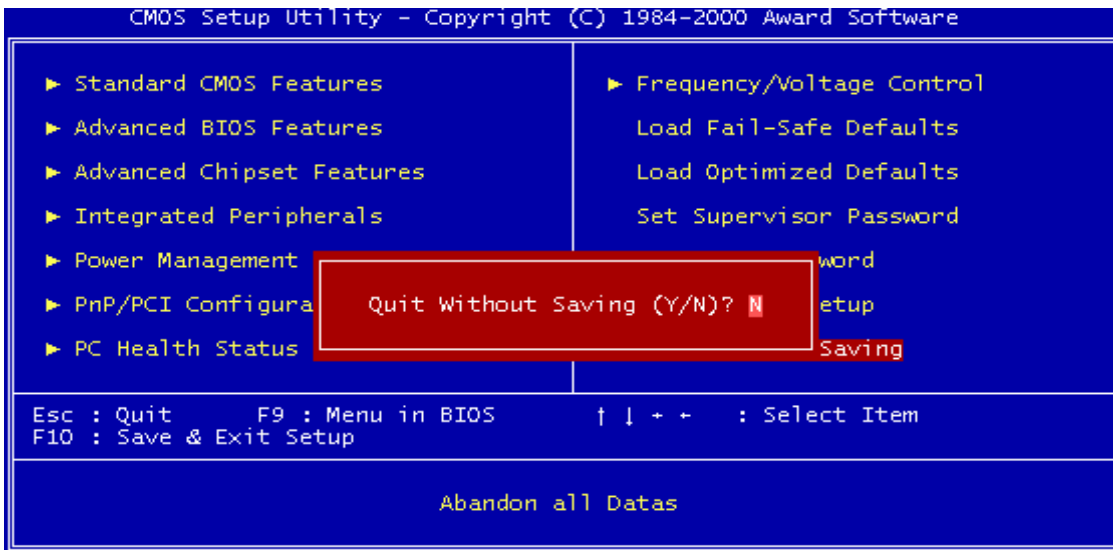
3.15 Save & Exit Setup

Save the settings and exit the BIOS utility.



3.16 Exit Without Saving

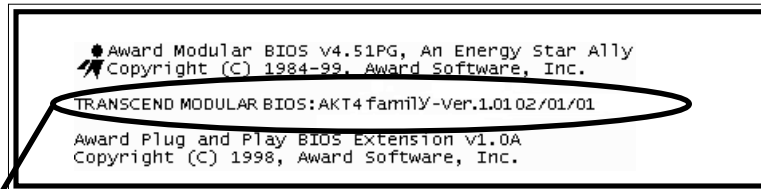
Abort the current changes and exit the BIOS utility.



CHAPTER 4 BIOS UPGRADE

4.1 How to Check Your BIOS File Name and Version

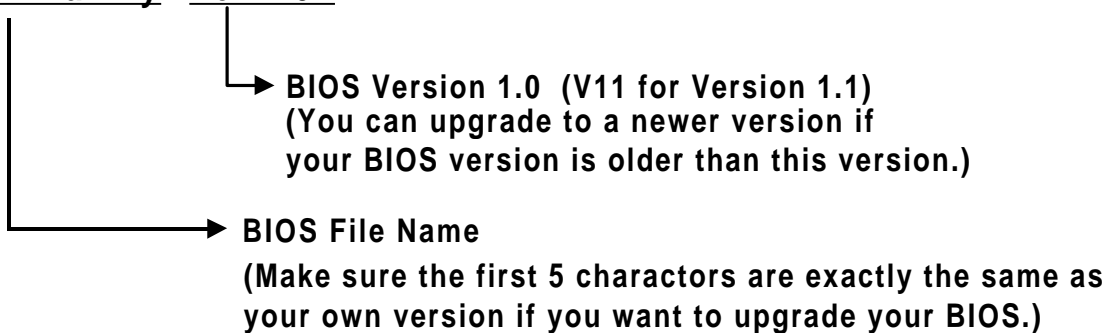
Turn on your PC. The first screen will display as follows:



TRANSCEND MODULAR BIOS: AKT4 Family-Ver.1.01 02/01/01

The BIOS description shows on the third line.

AKT4 Family - Ver 1.01



4.2 Download the Correct BIOS File from Our Web Site

Go to the Transcend web site: <http://www.transcendusa.com/>

Choose "Motherboard".

Choose "BIOS".

Select the appropriate Transcend motherboard model.

The BIOS file name consists of 5 characters. Check the exact BIOS to download. Your BIOS file name must exactly match the one shown on our web site. Download the suitable version to your disk or other storage device.

WARNING: Your system could be seriously damaged if a wrong BIOS version is accidentally used. If you are not sure what version you should choose, please contact us at techsupport@transcend.com.tw.

4.3 How to Upgrade Your Motherboard BIOS

Please follow these 5 steps listed below to upgrade your BIOS:

Step 1: Make a record of your original or existing BIOS Setup parameters.

- Press [Del] during the Power On Self Test to enter the BIOS Setup Program when you start your system.
- Write down the values of each parameter to enable you to re-configure your system after the BIOS upgrade.

Step 2: Make a system Disk

- Put a clean 3.5" disk in Drive A

MS-DOS: Key in **FORMAT A:/s** and press [Enter].

Windows O/S: Select the icon [My Computer]

Click [3.5" Floppy (A:)]

Select [File/Format] from Command Bar

Under **Format 3.5** Floppy (A:) **Menu** Select

Format type = Full item and

Other Options = Copy system files

Click [Start] button

Step 3: Download the updated BIOS EXE file from the web site to a floppy disk.

(Ref 4.1 and 4.2)

Step 4: Execute the downloaded file to decompress it.

Step 5: Please read the Readme.TXT file carefully, and follow the instructions step-by-step.

Continue upgrading BIOS and reconfigure your system.